

# WSV100

## HTML5 Web Server



Designed for vessels of all sizes, the new MConnect® Web Server provides real time data on web pages that can be displayed on multiple phones, tablets, PCs or MACs—simultaneously. Following the design paradigm of Maretron's award-winning N2KView® Vessel Monitoring and Control Software, MConnect's engaging and informative graphic controls make it easy to display a large amount of critical data.

Pages can also be displayed on marine Multifunction Displays (MFDs) that support remote HTML servers such as Garmin OneHelm™ and Raymarine LightHouse 3 as well as full integration with digital switching systems such as Octoplex® and MPower®.

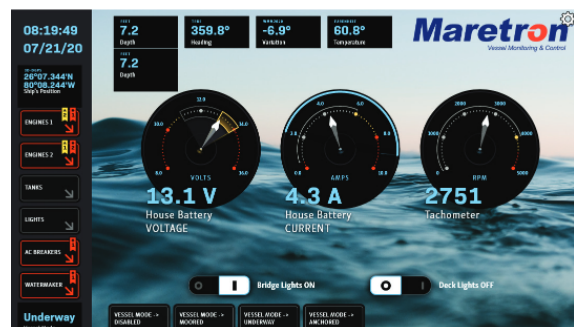
Through innovative use of color and high-definition graphics, the health of your boat is displayed at a glance as this information is seamlessly rolled up to other screens, bringing attention to potential problems. MConnect is fast, seamless, and easy to learn with an uncluttered interface that is customizable.

MConnect has direct connections to two NMEA 2000 busses, and receives data from both, independently. This means that MConnect can monitor Primary and Secondary busses, or independent Navigation and Monitoring busses without the need for a bridge.

With multiple simultaneous users, and a low price point, MConnect makes comprehensive vessel monitoring available to more users than ever before.

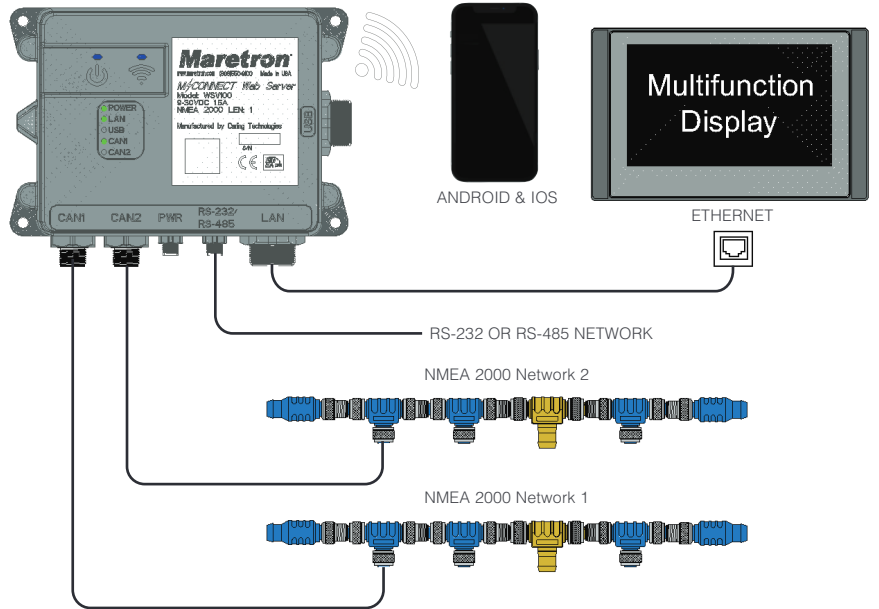
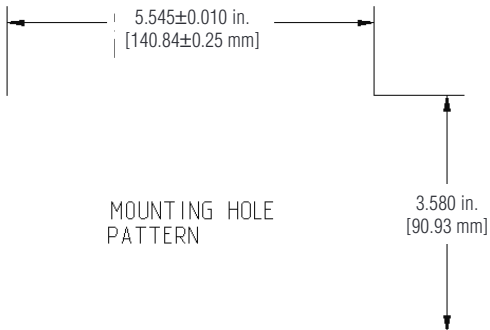
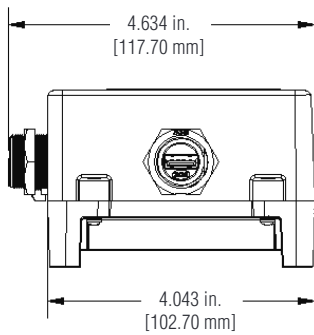
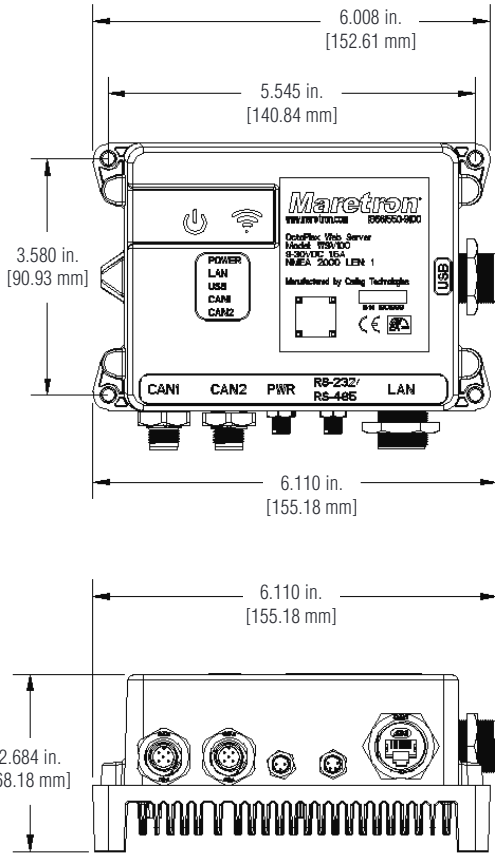
### Product features:

- IP67 Rated
- Dual CAN Bus for single or redundant NMEA 2000® Network Connections
- USB 3.0 Port
- RJ45 Ethernet Port
- Can support simultaneous access from up to (4) users
- 9-32 Volt Power Input (Reverse Polarity Protected)
- 5 Watt Power Usage
- Engaging HTML5 User Interface Experience



### PRODUCTS

PART NUMBER	DESCRIPTION
WSV100	HTML5 Web Server



**SPECIFICATIONS**

PARAMETER	VALUE	COMMENT
(2) CAN Ports	NMEA 2000 Micro-C	For Connectivity to NMEA 2000
Serial Port	UART Interface	Switchable between RS-485 and RS-232 Protocols
USB Port	USB 3.0	For Software Updates and File Uploading
RJ45 Ethernet	1Gb/s	HTTP/HTTPS Port
Wi-Fi	2.4 Ghz & 5 Ghz	To Support TCP/IP Connections to HMIs and/or the Internet & HTTP/HTTPS Broadcast
Bluetooth	5.0 & BLE	For Localized Configuration
Web Browser®	HTML5/JavaScript	To Support MFD Connectivity

**ELECTRICAL**

PARAMETER	VALUE	COMMENT
Operating Voltage	9–32 Volts	DC Voltage (Dedicated Power Connection)
Power Consumption	5 Watts	Typical
Operating Voltage (NMEA 2000 Connection)	8–32 Volts	DC Voltage
Power Consumption (NMEA 2000 Connection)	50mA?	1 LEN
Reverse Polarity Protection	Yes	NMEA 2000 & Power Connection

**MECHANICAL**

PARAMETER	VALUE	COMMENT
Overall Dimensions (D x W x H)	2.68" x 6.00" x 4.04" (68.18 mm x 152.61 mm x 102.70mm)	Excluding Connectors
Weight	3 lbs. (1.36 kg)	
Mounting	Screw Mount	4 x #10 Screw Recommended, (Horizontal or Vertical Mounting Orientation)
Material	ABS Plastic Front Aluminum Back	
Heat Dissipation	Aluminum Heatsink	Air Cooled

**ENVIRONMENTAL**

PARAMETER	VALUE
Operating Temperature	-20°C to 70°C
Storage Temperature	-40°C to 85°C
Ingress Protection	IP67

**CERTIFICATION**

AGENCY
FCC Part 15
CE
NMEA 2000