

# PUMP REPAIR AND REBUILD KITS

## PENTAIR SHURFLO® 4148/4149/4158 SERIES

Name	OEM Model # (Aftermarket)	Upper Assembly	Valve Assembly	Drive Assembly	Motor & Gasket	Pump Head	Check Valve (Not Shown)
		1	2	3	4	5	6
Shurflo Aqua King II Premium 4.0	4148-153-A75 [4148-153-E75]	94-801-10	94-800-01	94-801-02	94-71-001-07	94-801-11	94-800-03
Shurflo Aqua King II Premium 4.0 24 VDC	4148-163-A75 [4148-163-E75]	94-801-10	94-800-01	94-801-02	94-71-001-03	94-801-11	94-800-03
Shurflo Aqua King II Supreme 5.0	4158-153-A75 [4158-153-E75]	94-801-10	94-800-01	94-801-12	94-71-000-17	94-801-13	94-800-03
Shurflo Aqua King II Supreme 5.0 24 VDC	4158-163-A75 [4158-163-E75]	94-801-10	94-800-01	94-801-12	94-71-001-04	94-801-13	94-800-03

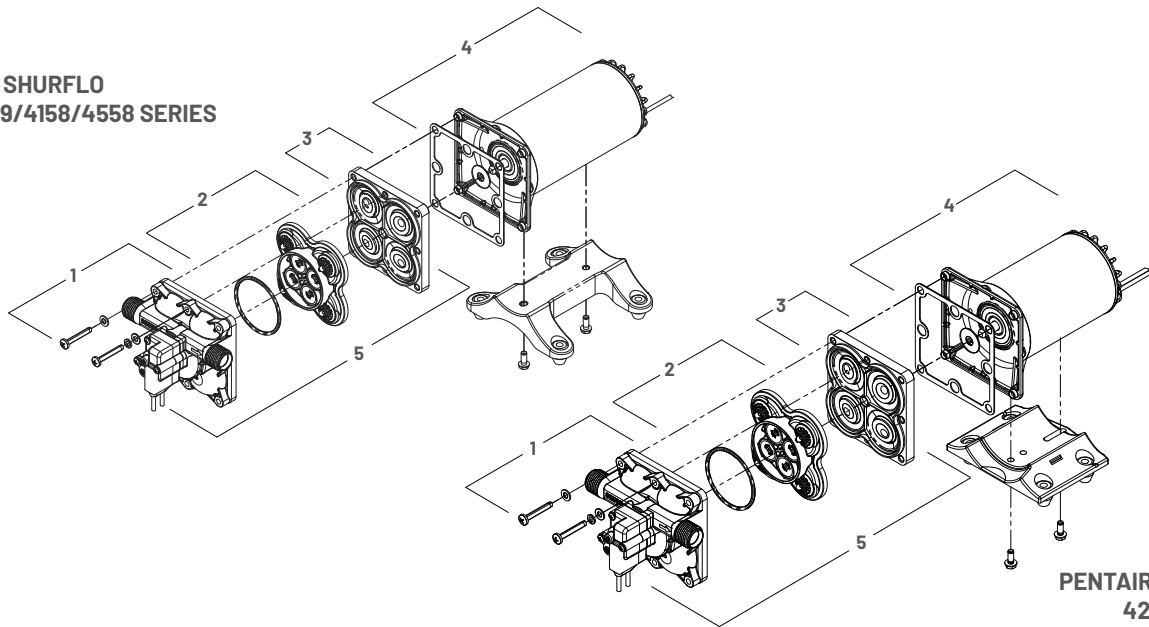
## PENTAIR SHURFLO 4558 SERIES

Name	OEM Model # (Aftermarket)	Upper Assembly	Valve Assembly	Drive Assembly	Motor & Gasket	Pump Head	Check Valve (Not Shown)
		1	2	3	4	5	6
Shurflo High Flow System 12V 4558-153-E75	4158-153-A75 [4158-153-E75*]	94-801-10	94-800-01	94-801-12	94-71-000-17	94-801-13	94-800-03
	4258-153-A09 [4258-153-E09*]	94-805-01	94-800-01	94-801-02	94-71-004-17	94-804-03	94-800-03
Shurflo High Flow System 24V 4558-163-E75	4158-163-A75 [4158-163-E75**]	94-801-10	94-800-01	94-801-12	94-71-001-04	94-801-13	94-800-03
	4258-163-A09 [4258-163-E09**]	94-805-01	94-800-01	94-801-02	94-71-001-04	94-805-02	94-800-03

\*12V replacement pumps

\*\*24V replacement pumps

## PENTAIR SHURFLO 4148/4149/4158/4558 SERIES



PENTAIR SHURFLO  
4238 SERIES

## PENTAIR SHURFLO 4238 SERIES

Name	OEM Model # (Aftermarket)	Upper Assembly	Valve Assembly	Drive Assembly	Motor & Gasket	Pump Head	Check Valve (Not Shown)
		1	2	3	4	5	6
Shurflo Blaster II	4238-121-A07 [4238-121-E07]	94-800-13	94-800-01	94-800-15	94-71-002-07	94-800-17	94-800-03
Shurflo Blaster II 24 VDC	4238-141-A07 [4238-141-E07]	94-800-13	94-800-01	94-800-15	94-71-001-17	94-800-17	94-800-03