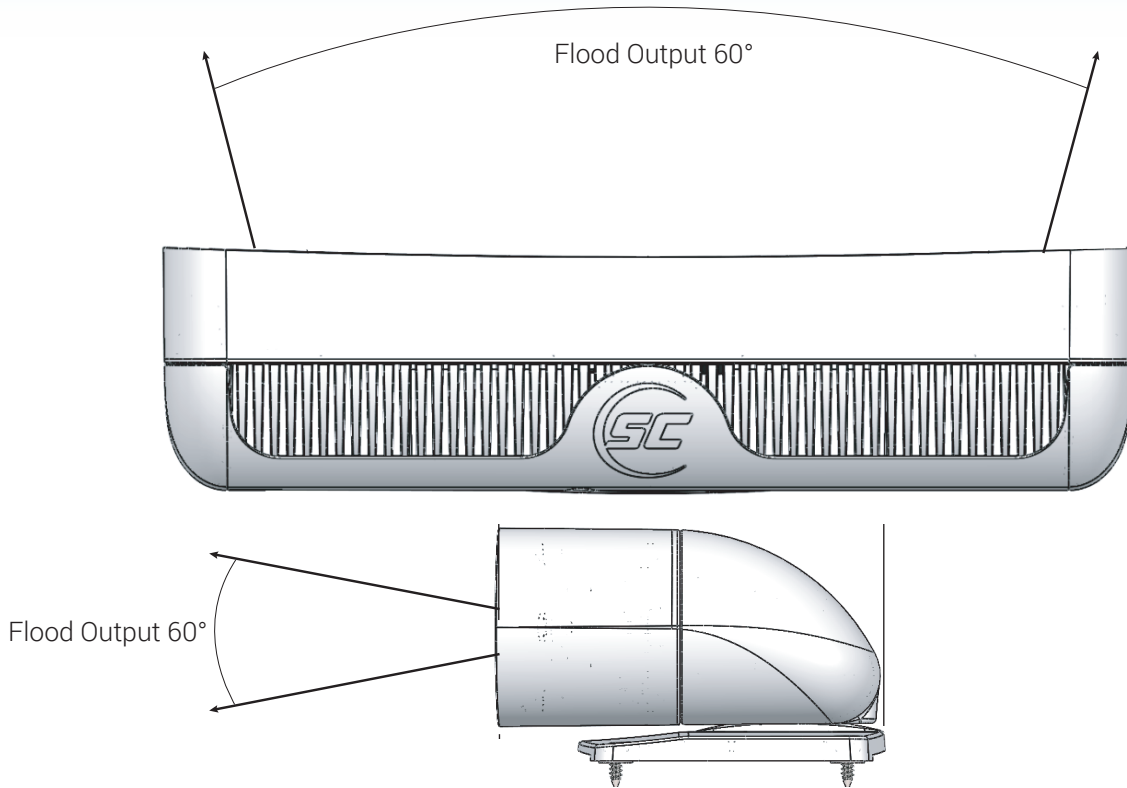


EAGLE RAY LIGHT BAR

HIGH BRIGHTNESS LIGHT BAR

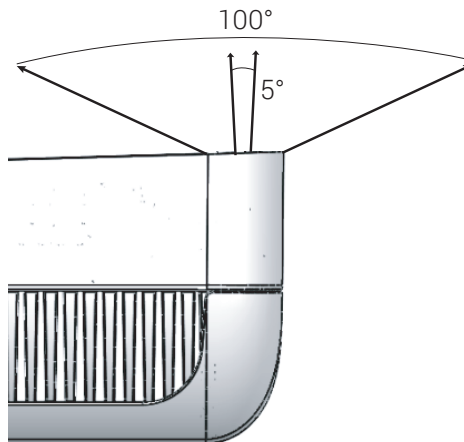


▶ FLOOD OPERATION



▶ LASER OPERATION

Laser Output adjustable 5-100°



Designed & Manufactured
in Clearwater, FL
© 2024 Shadow-Caster® LEDs. All Right Reserved.

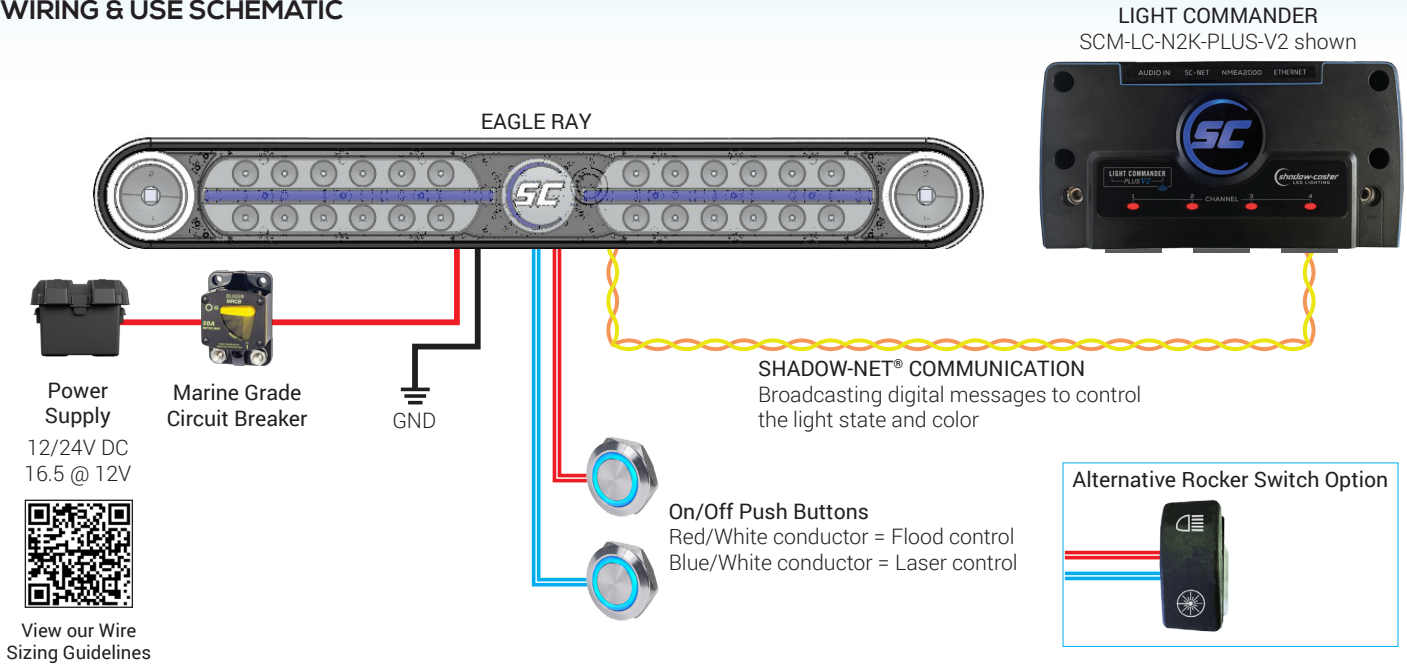
Shadow-Caster® LED Lighting | 2060 Calumet Street | Clearwater, FL 33765
p: +1 727.474.2877 e: info@shadow-caster.com w: shadow-caster.com

EAGLE RAY LIGHT BAR

HIGH BRIGHTNESS LIGHT BAR



▶ WIRING & USE SCHEMATIC



▶ FLOOD OPERATION

- Click the on/off button to turn the flood lights on (they will ramp up to full brightness)
- Press and hold the button to adjust the brightness
- Click the on/off button to turn the flood lights off

LASER OPERATION

- Click the on/off button once to turn the the laser lights on
- Press and hold the button to adjust the beam angle
- Click the on/off button to turn the laser lights off

GENERAL OPERATION

- White SC logo with blue crescent indicates power ON
- Blue accent light strips indicate flood brightness level
- Blue halo illumination around laser optics indicate laser power state
- The Eagle Ray light bar will appear in the Light Commander controller as two separate devices: "EAGLE RAY FLOOD" and "EAGLE RAY LASER"
- Control the brightness of the flood and control beam angle of the laser spotlight LEDs through the NMEA interface



Designed & Manufactured
in Clearwater, FL
© 2024 Shadow-Caster® LEDs. All Right Reserved.

Shadow-Caster® LED Lighting | 2060 Calumet Street | Clearwater, FL 33765
p: +1 727.474.2877 e: info@shadow-caster.com w: shadow-caster.com

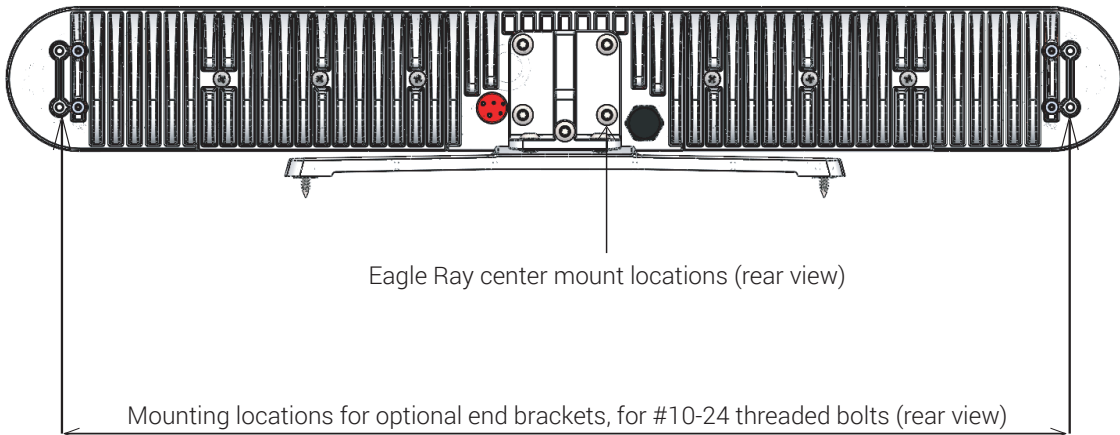
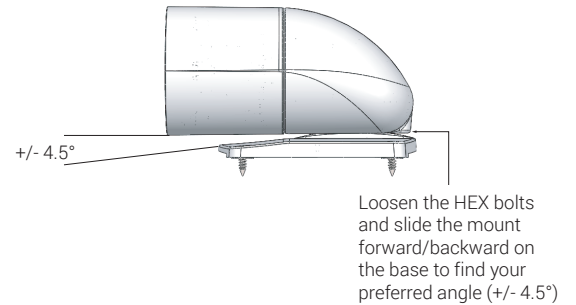
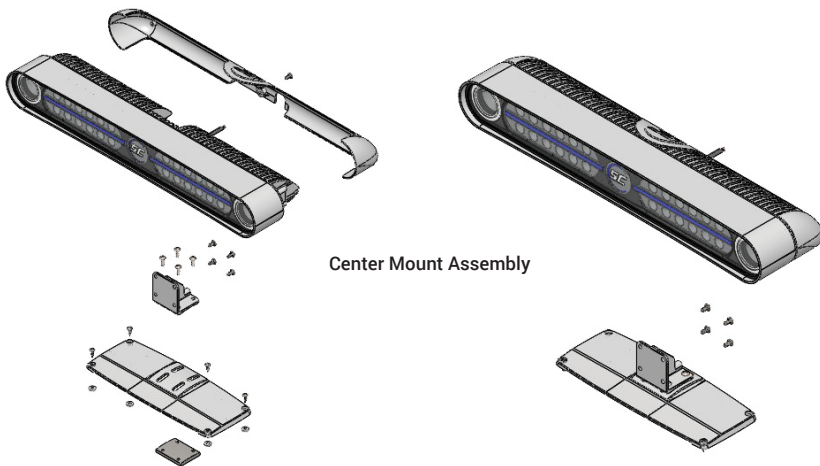
EAGLE RAY LIGHT BAR

HIGH BRIGHTNESS LIGHT BAR



► MOUNTING INSTRUCTIONS

1. Find a flat spot to mount the Eagle Ray Light Bar.
2. Print the mounting template provided on next page of this document and tape to your preferred mounting location.
3. Drill the 4 pilot holes.
4. Attach the mounting base using the 4 included screws. Make sure all pads are in place on the bottom of the mounting base to protect the boat's mounting surface.
5. Detach the Eagle Ray's back cover to access the center mount fixtures.
6. Attach the Eagle Ray Light Bar to the mounting base using the 4 screws.
7. Loosen the HEX bolts and slide the mount forward/backward on the base to find your preferred angle ($\pm 4.5^\circ$) for the Eagle Ray Light Bar.
8. Tighten the mounting screws once your preferred angle has been chosen.
9. Re-attach the back cover to the Eagle Ray and secure with the included bolt.



Designed & Manufactured
in Clearwater, FL
© 2024 Shadow-Caster® LEDs. All Right Reserved.

Shadow-Caster® LED Lighting | 2060 Calumet Street | Clearwater, FL 33765
p: +1 727.474.2877 e: info@shadow-caster.com w: shadow-caster.com

EAGLE RAY LIGHT BAR

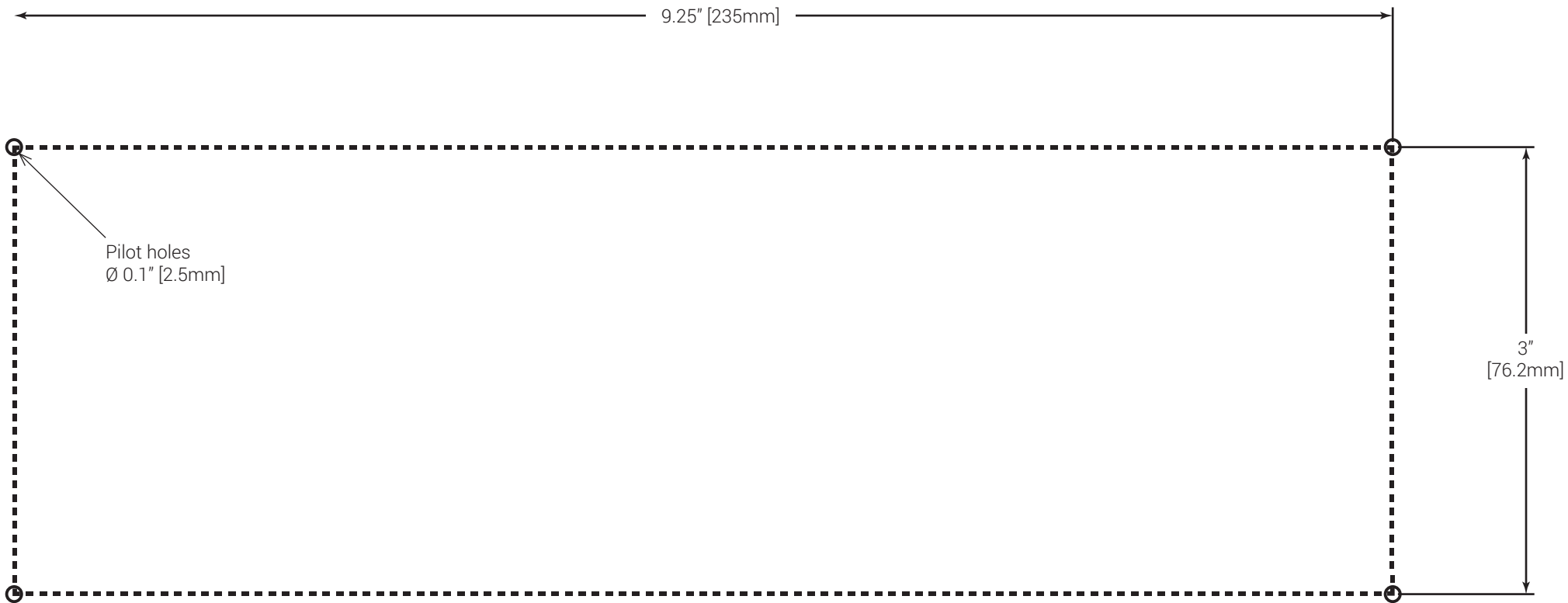
HIGH BRIGHTNESS LIGHT BAR



► MOUNTING TEMPLATE

IMPORTANT!

When printing installation templates, please ensure your printer is set to print at 'Actual Size' and double check all printed dimensions exactly match the specified dimensions.



Designed & Manufactured
in Clearwater, FL
© 2024 Shadow-Caster® LEDs. All Right Reserved.

Shadow-Caster® LED Lighting | 2060 Calumet Street | Clearwater, FL 33765
p: +1 727.474.2877 e: info@shadow-caster.com w: shadow-caster.com