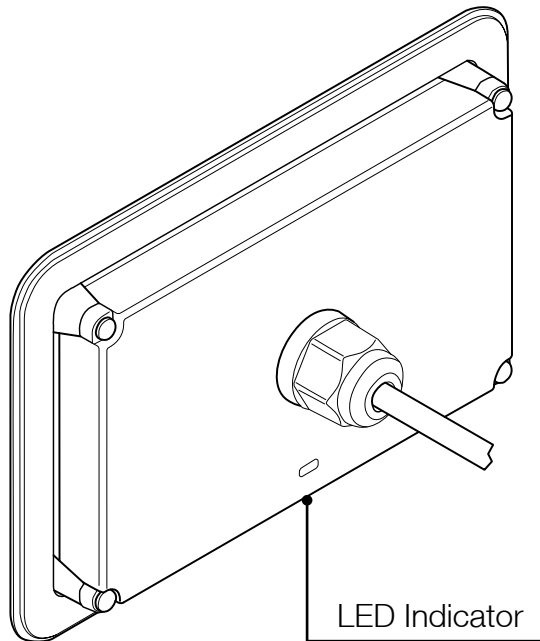
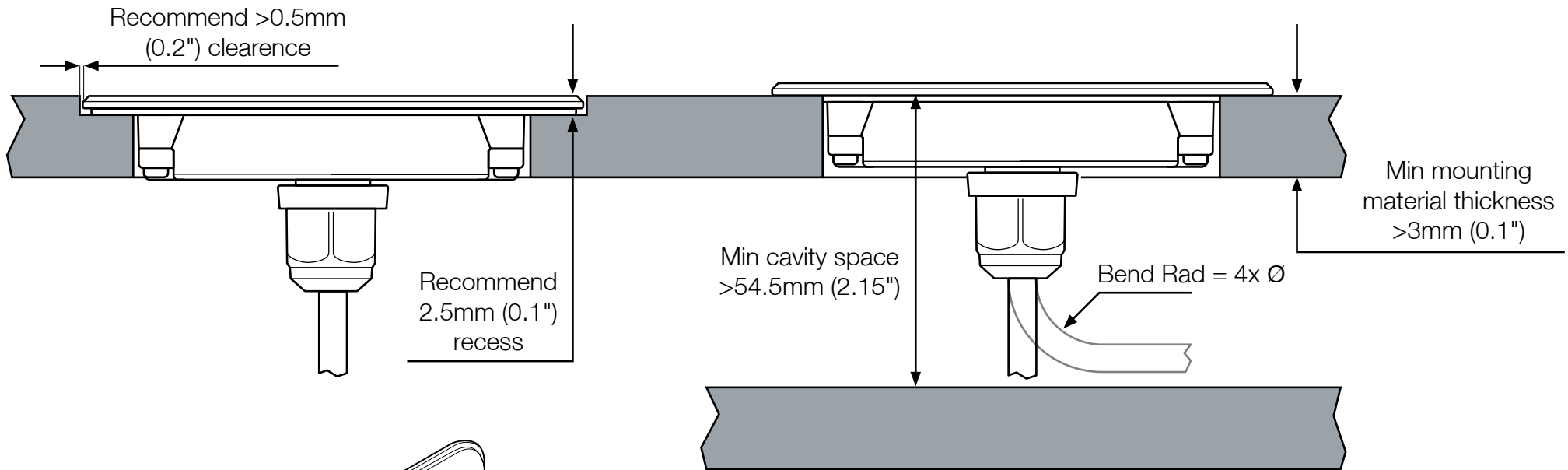


Technical	
IP Waterproof Rating	IPX6 Front and back
Cable Diameter	Ø 4.7 mm (0.185")
Cable bend Radius (4xD)	18.8 mm (0.74")
Cable AWG	20 AWG
Cable Length	300mm
Input voltage	10-30V DC (12/24V System)
Input current max	2A
Output power max	15W (12V 1.25A)
Standby power max	<1.2W
Certification	CE, UKCA, FCC, ROHS, C-Tick, UN ECE R10, E24, PSE Certified



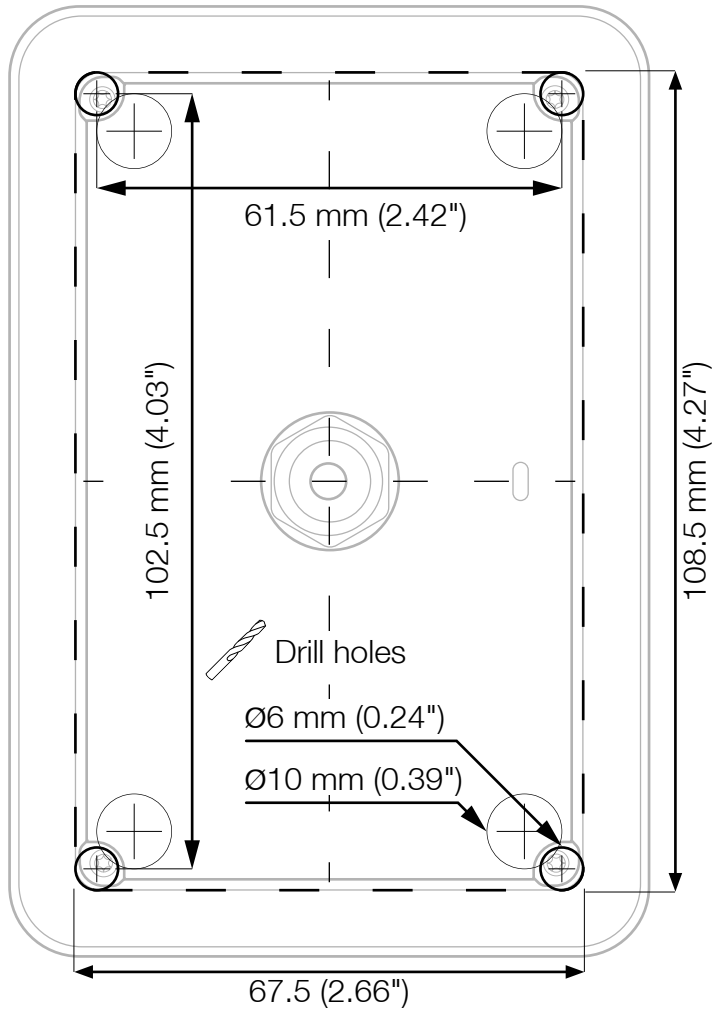
- White LED Constant: ON Charge
- Red LED Constant: Standby (power ON)
- ☀ Red LED Flashing:

Foreign object detection: metallic object placed on top that is not Qi compatible.

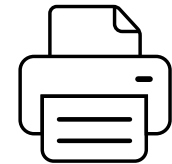
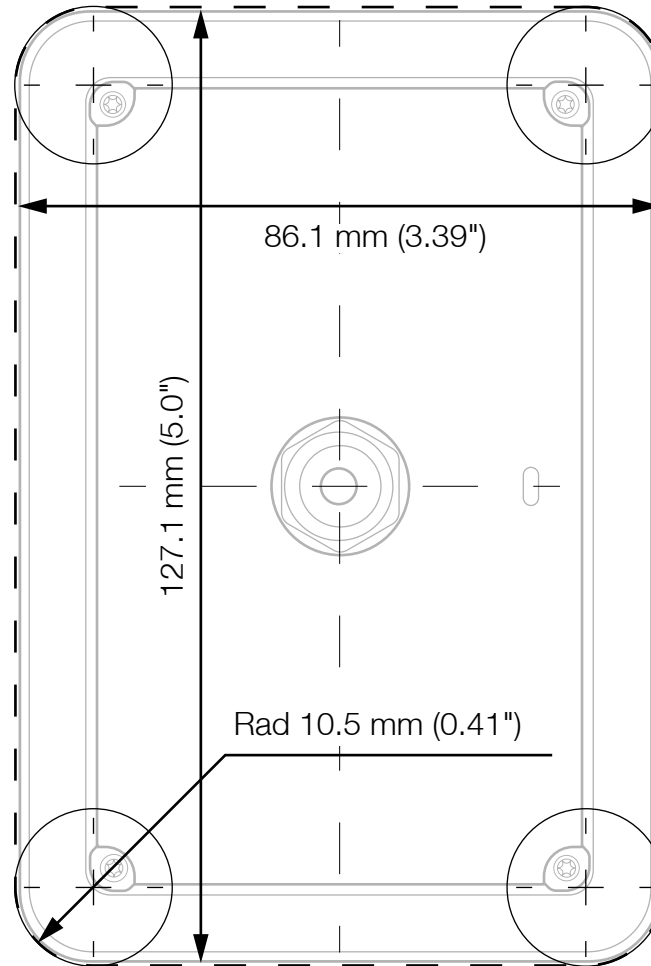
OR

Thermal cutout: The internal temperature is too high/ low. Wait for product to return to operating temperature.

Cutting Template 1:1 Scale



Recess Template 1:1 Scale



Print document 1:1 scale for correct cutting template size. Paper Size A4

Warning Check Scale

