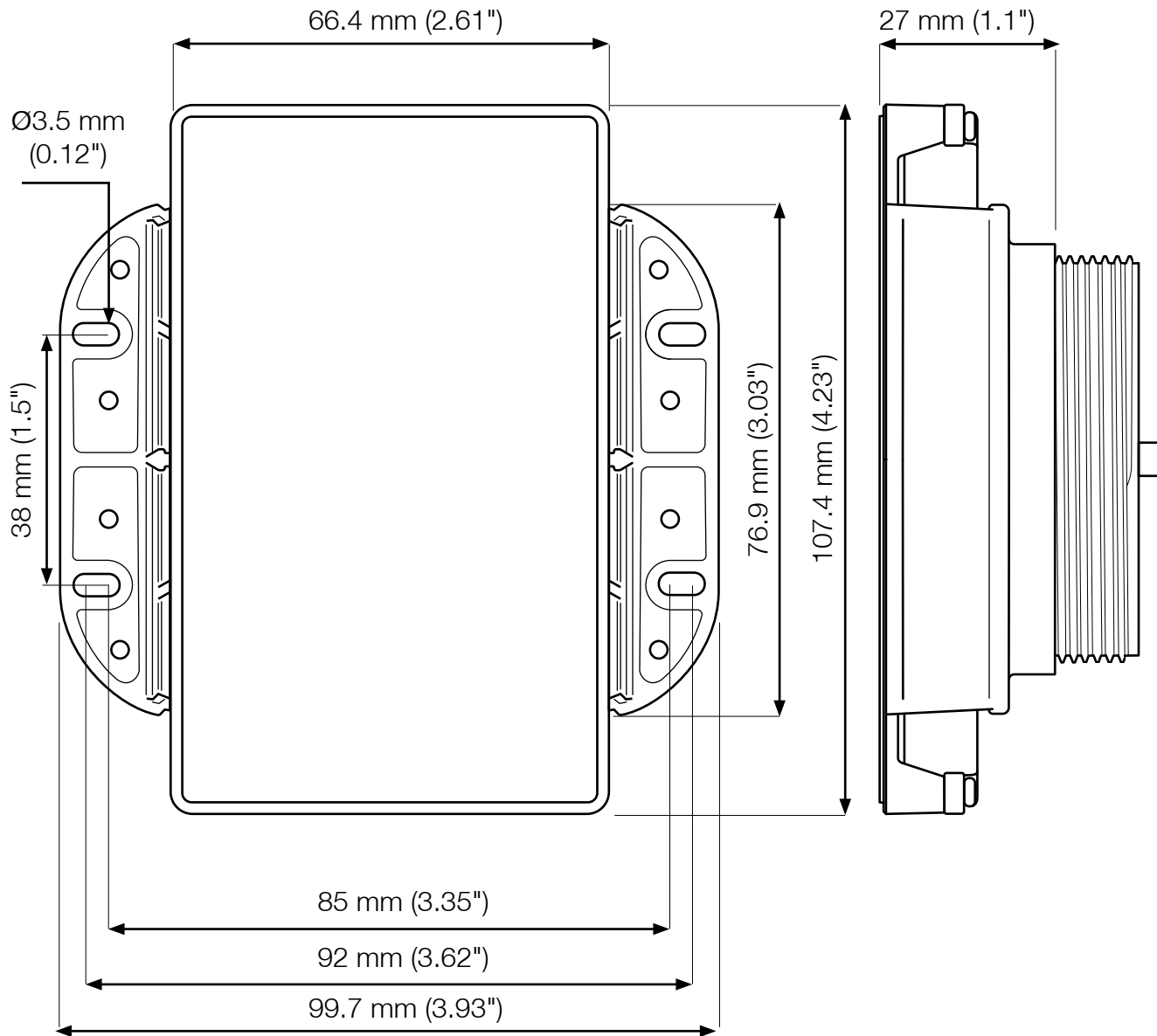
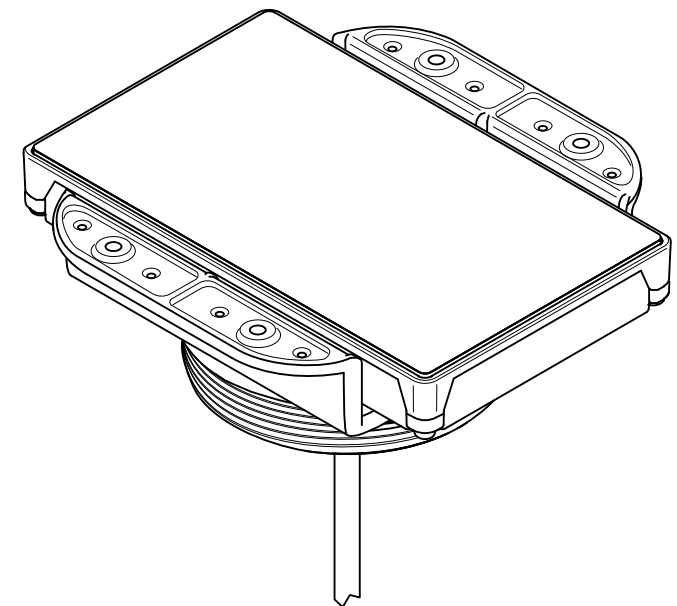


# Waterproof Wireless Charger Hidden 3 Coil 15W SC-CW-1GT

Email: [sales@scanstrut.com](mailto:sales@scanstrut.com) Email: [usasales@scanstrut.com](mailto:usasales@scanstrut.com)



Technical	
IP Waterproof Rating	IPX6 Front and back
Cable Diameter	Ø 4.7 mm (0.185")
Cable bend Radius (4xD)	18.8 mm (0.74")
Cable AWG	20 AWG
Cable Length	300mm
Input voltage	10-30V DC (12/24V System)
Input current max	2A
Output power max	15W (12V 1.25A)
Standby power max	<1.2W
Certification	CE, UKCA, FCC, ROHS, C-Tick, UN ECE R10, E24, PSE Certified



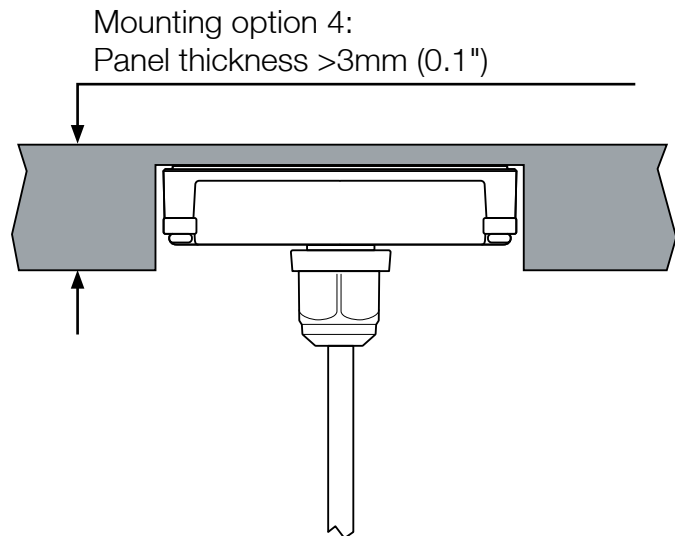
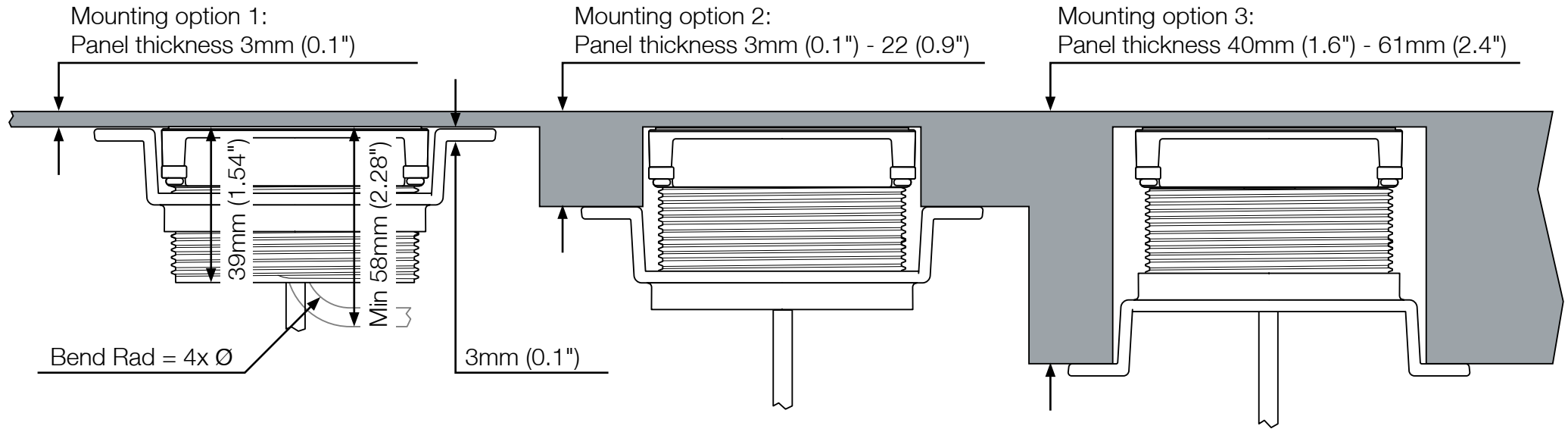
**SCANSTRUT**

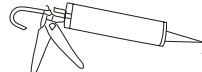
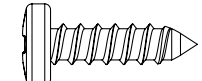
Rev B

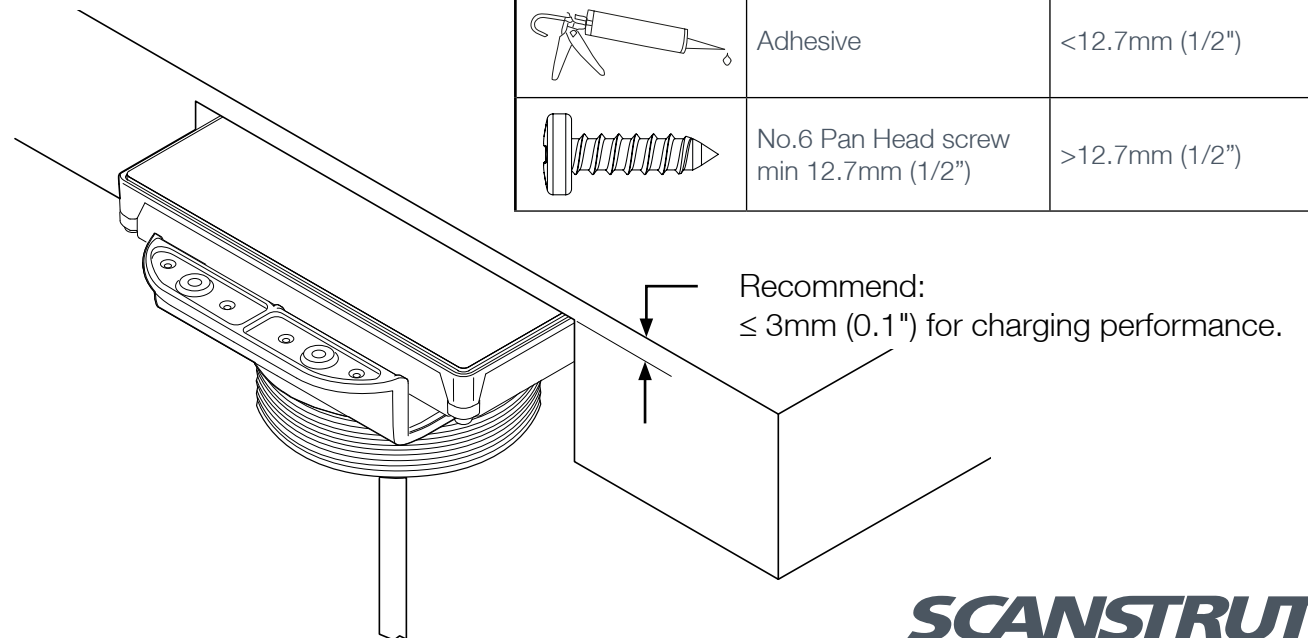
Page | 1


# Waterproof Wireless Charger Hidden 3 Coil 15W SC-CW-1GT

Email: sales@scanstrut.com Email: usasales@scanstrut.com

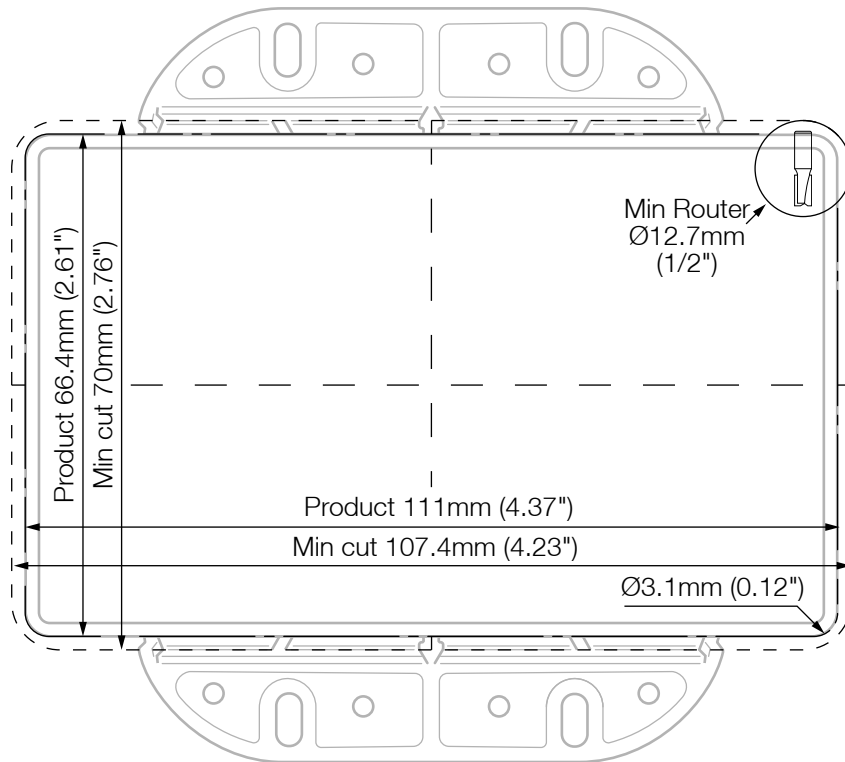


Recommended Fixing Method (Not included)	Panel Thickness
 Adhesive	<12.7mm (1/2")
 No.6 Pan Head screw min 12.7mm (1/2")	>12.7mm (1/2")



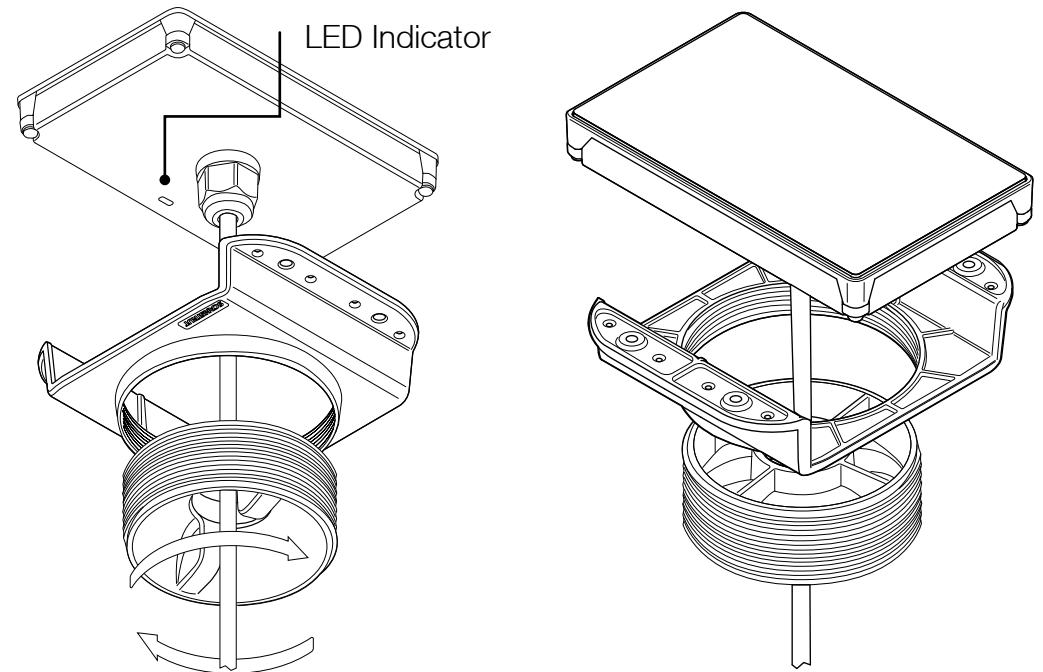
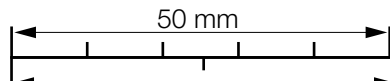
 Recommended:  
Use mounting bracket for greater vibration resistance.

Routing Template 1:1



Print document 1:1 scale for correct cutting template size.  
Paper Size A4

Warning Check Scale



- White LED Constant: ON Charge
- Red LED Constant: Standby (power ON)
- ☀ Red LED Flashing:

Foreign object detection: metallic object placed on top that is not Qi compatible.

OR

Thermal cutout: The internal temperature is too high/ low. Wait for product to return to operating temperature.