



# Technical Data

Part #

LLB-73BK-01-xx

Navigation Tri / Anchor Light

Certified USCG  
COLREG 72 & ABYC-A16

## **ZERO EMI** ULTRA LIGHT NAVIGATION FIXTURE 2 NAUTICAL MILE

Introducing the new LLB-73BK Series Navigation Fixtures that produce zero EMI for the most sensitive equipment. In keeping with AIS advances, Lunasea Lighting has developed a new light that utilizes Active Current Control technology that is only available in 12-volt version. The lamp eliminates all high frequency noise without compromising optical capability or mechanical and electrical specifications.

Lunasea's Tri-color/Anchor LED navigation models have the added features that you asked for, and more.

This lightweight fixture, weighs just 3.9 ounces. We've added auto daylight turnoff for anchor, and a removable bird spike.

The glass lens assures excellent light transmission for the life of the product. 3 year warranty.

- Ultra-light Weight, only 3.9 Ounces
- Glass Lens
- Two or Three Wire Hookup
- Removable Anti-Bird Spike
- Threaded hole can mount Davis™ Windex on top of light
- Daylight Sensor automatically turns off Anchor Light during Day



Voltage Range: 12VDC

Power Consumption: 3 Watt

Light Output: 2NM

Enclosure: Ultra Durable Plastic with Glass Lens  
Removable Bird-Spike

Wiring: 2 or 3 Wire

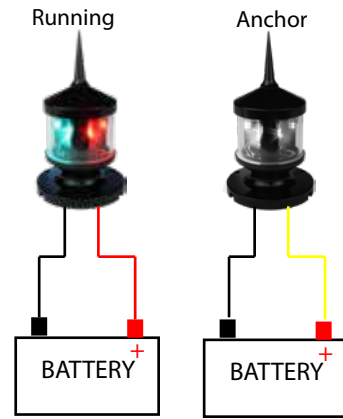
Infrared Light Sensor Daylight Auto-off for Anchor  
(does not effect running)

# WIRING DIAGRAM

## THREE WIRE CONFIGURATION

Three wires up mast - Anchor, Running and Ground

- + RED : Running
- + WHITE : Anchor
- BLACK (ground)



## TWO WIRE CONFIGURATION

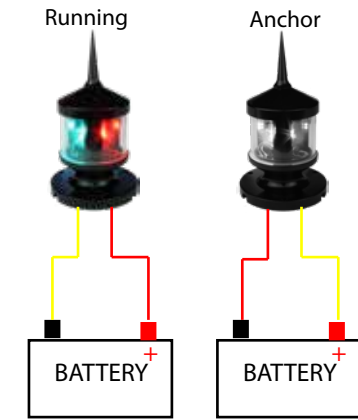
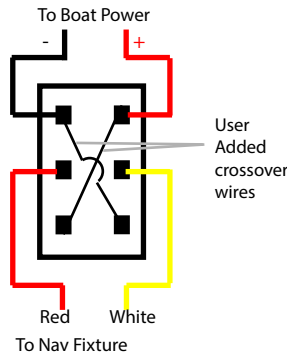
Two wires up mast - Anchor and Ground (requires DPDT crossover switch or Lunasea Switch Panel LLB-53SW-81-00)

- + RED / - WHITE Running
- + WHITE / - RED Anchor
- (BLACK : DO NOT HOOK UP OR LIGHT WILL BE DAMAGED)



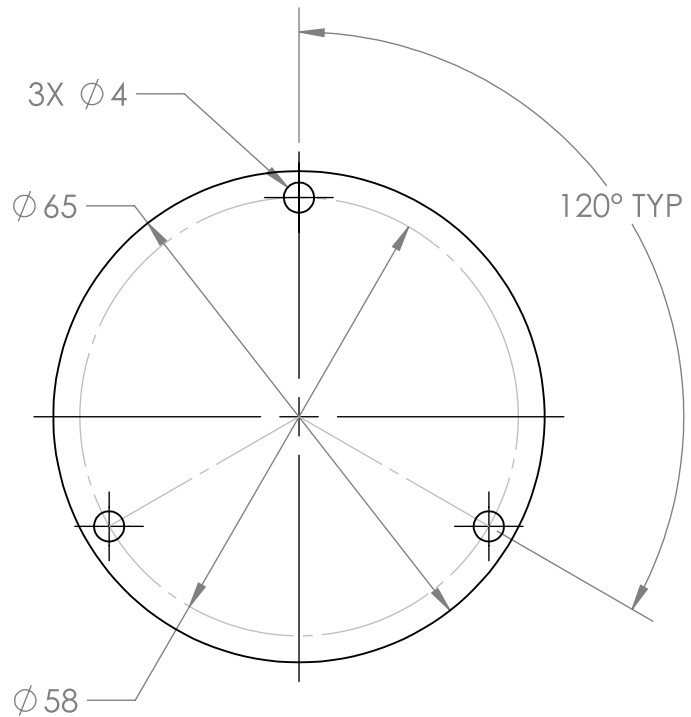
Optional LLB-53SW-81-00 Switch

CROSSOVER SWITCH FOR TWO WIRE CONFIGURATION



**NOTE: WHEN TESTING BE SURE TO BLOCK EXTERNAL LIGHT TO TEMPORARILY DISABLE AUTO ANCHOR TURN OFF**

WARNING: When printing below template please measure results for accuracy before drilling holes.



SCALE 1 : 1  
DIM = MM