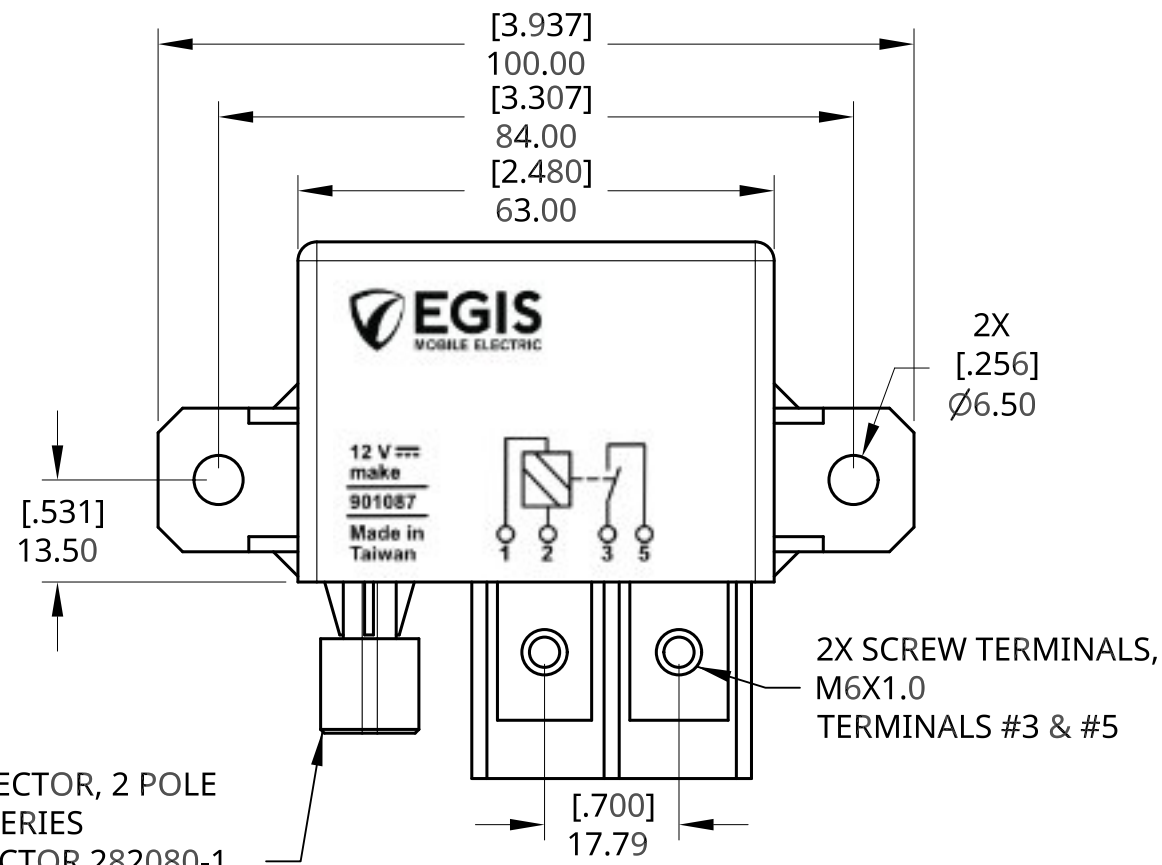
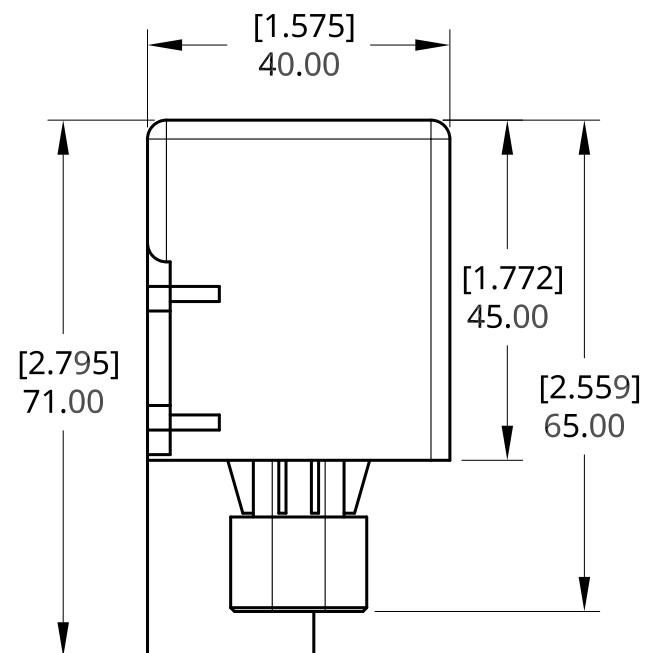
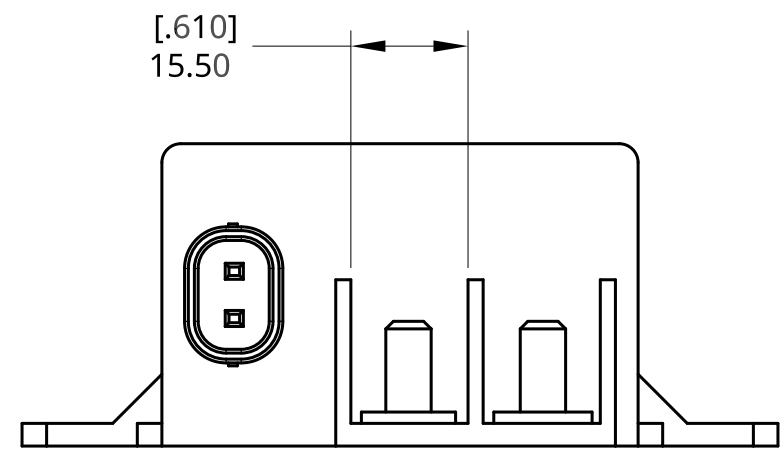


REVISIONS				
ZONE	REV.	DESCRIPTION	DATE	APPROVED



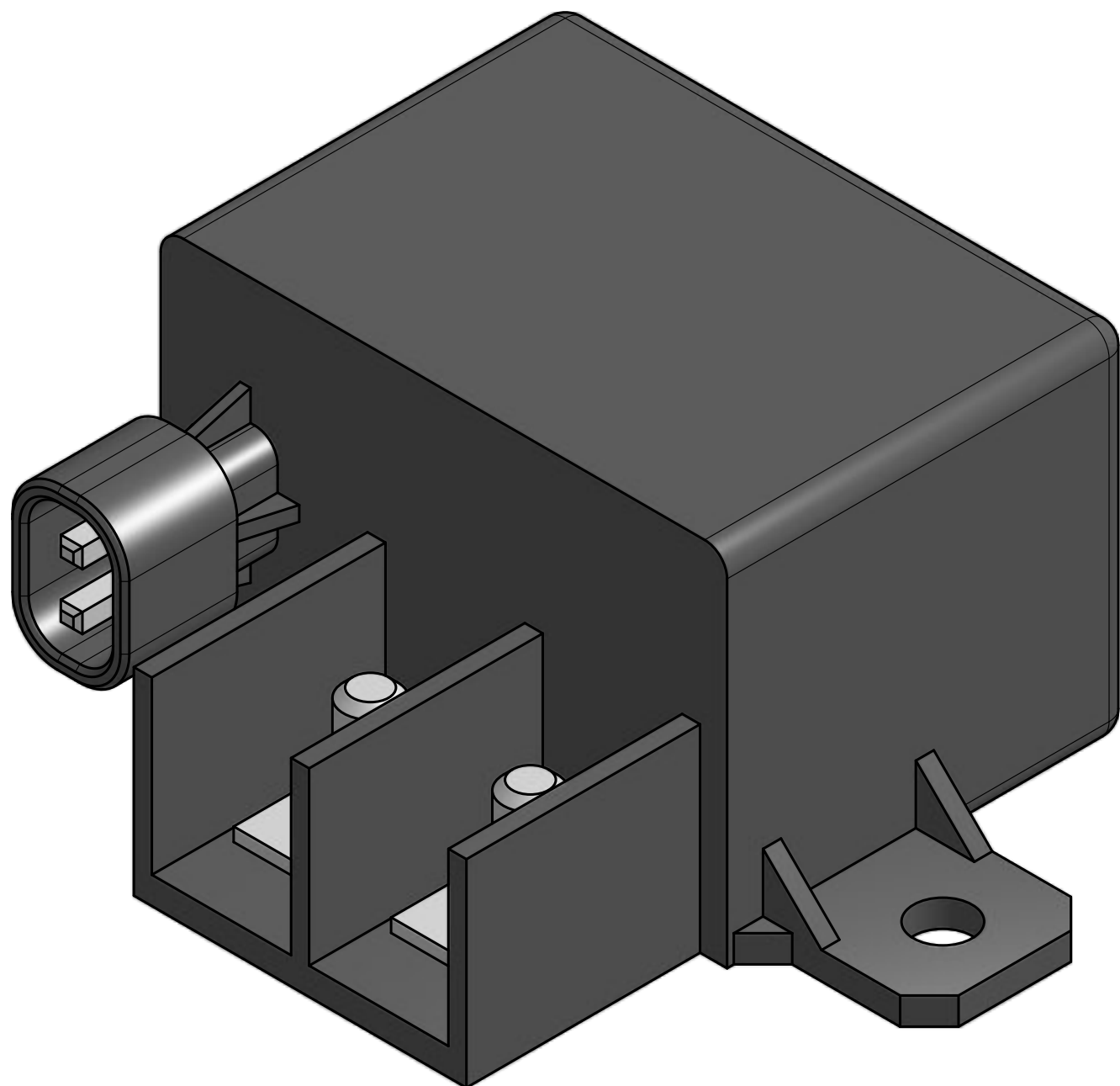
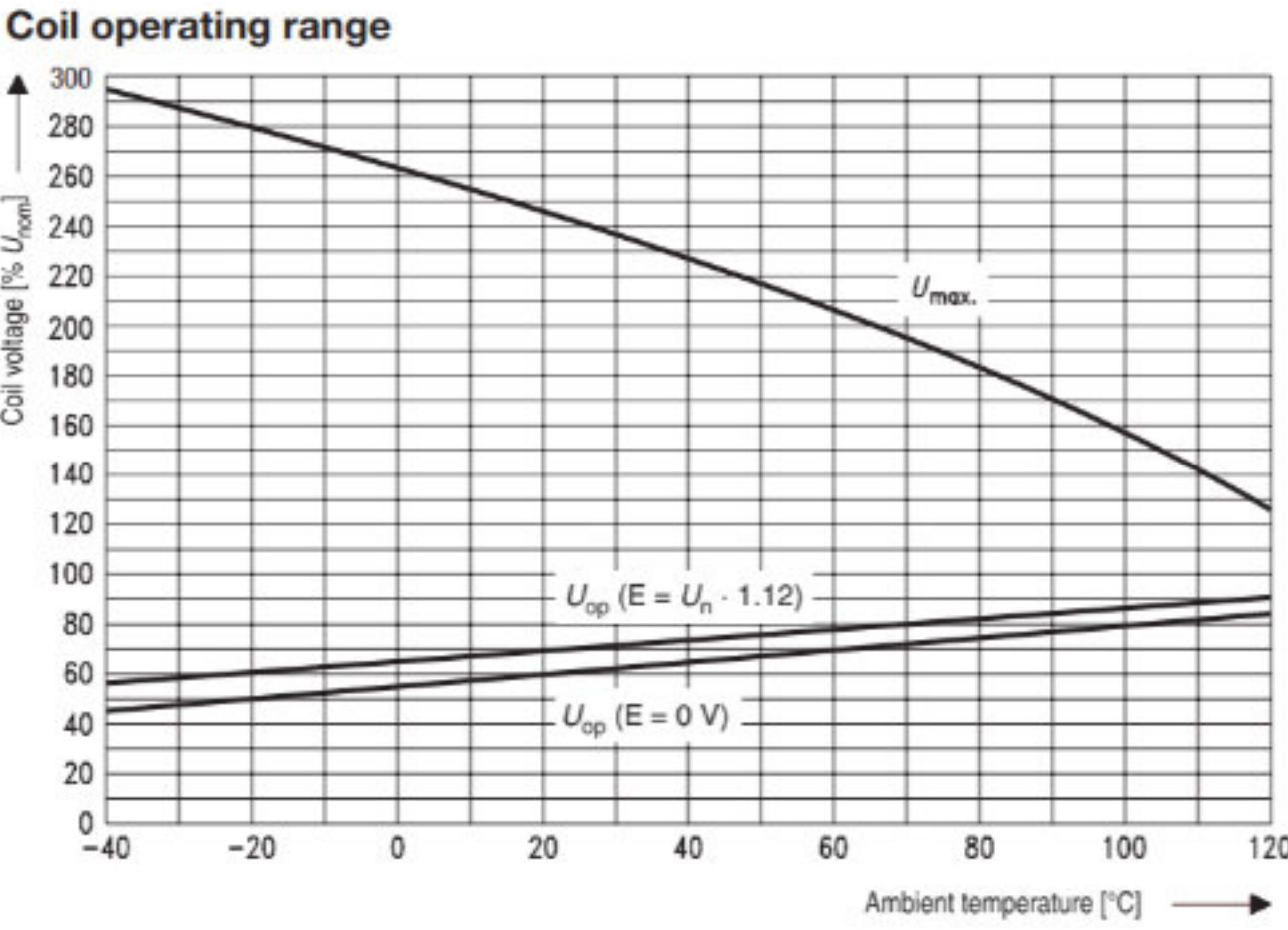
COIL PIN 1 & 2 CONNECTOR, 2 POLE AMP SUPERSEAL 1.5 SERIES
 - RECEPTACLE CONNECTOR 282080-1
 - SINGLE WIRE SEAL 281934-2
 - CONTACT 282110-1

Environmental Specifications

Ingress Protection: IP67
 Ambient temperature: -40°C to +125°C
 Dry heat, IEC 60068-2-2: 500h at 100°C
 Damp heat constant, IEC 60068-2-3 (78), Ca - 500h, 40°C, 93% RH
 Corrosive gas
 - IEC 60068-2-42: 10 days
 - IEC 60068-2-43: 10 days
 Vibration resistance (functional)
 - IEC 60068-2-6 (sine sweep): 10 to 200Hz >5g2
 Shock resistance (functional)
 - IEC 60068-2-27 (half sine): 6ms >20g2
 Drop test, free fall
 - IEC 60068-2-32: 1m onto concrete
 Terminal retention
 pull force: 150N
 push force: 150N
 resistance to bending: 20N
 force applied to side: 20N
 torque: 5Nm
 Weight approx.: 220g (7.8oz)

Contact Specifications

Contact arrangement: 1 Form A / 1 NO
 Rated current, cable 25mm2: 130A at 85°C
 Limiting continuous current
 - 23°C, load cable 16mm2: 130A
 - 85°C, load cable 16mm2: 120A
 - 125°C, load cable 16mm2: 60A
 - 23°C, load cable 25mm2: 180A
 - 85°C, load cable 25mm2: 130A
 - 125°C, load cable 25mm2: 70A
 Limiting making current, load current max. 3s on,
 - make/break ratio(1:10): 300A
 Limiting breaking current: 300A
 Contact material: AgSnO2
 Min. recommended contact load: 1A at 5VDC
 Initial voltage drop, typ. at 100A: 70mV
 Frequency of operation, with/without load: 6 ops./min
 Operate/release time typ. at nominal voltage: 25/8ms
 Electrical endurance
 - resistive load: 50,000 cycles at 300A, 13.5VDC
 Mechanical endurance: >1,000,000 operations
 Rated coil power: 3.3W
 Max. coil temperature: 155°C
 Rated Voltage: 12 Vdc
 Operate Voltage: 7.2 Vdc
 Release Voltage: 1.2 Vdc
 Coil Resistance (+/- 10%): 37 Ohms
 Rated Coil Power: 3.9 Watts



UNLESS OTHERWISE SPECIFIED, DIMENSIONS ARE IN MILLIMETERS .XX = ±.13 .XXX = ±.050 SURFACE FINISH ✓ DO NOT SCALE DRAWING BREAK ALL SHARP EDGES AND REMOVE BURRS THIRD ANGLE PROJECTION	NAME	DATE	Egis Mobile Electric 3135 Mercer Ave, Ste 102 Bellingham, WA 98225, USA	
	DRAWN	B Glad		01/19/2019
	CHECKED			
	APPROVED			
	TITLE		901087 - HIGH AMP RELAY 180 AMP / 12 Vdc	
	SIZE	DWG NO.	REV.	
	C			
	SCALE	WEIGHT	SHEET	
	NTS		1 of 1	

D

C

B

A

D

C

B

A

4

3

2

1