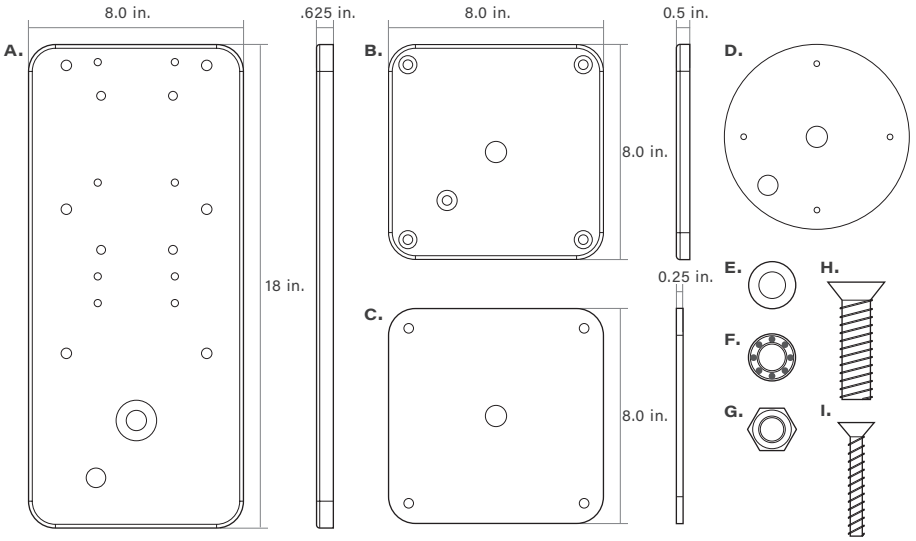


# INSTALL MANUAL

## WHAT IS INCLUDED



### COMPONENT LIST:

- |                     |                          |                            |                  |                        |
|---------------------|--------------------------|----------------------------|------------------|------------------------|
| A. (1) Top Plate    | C. (1) Bottom Plate      | E. (2) Washers             | G. (1) Locknut   | I. (4) Perimeter Bolts |
| B. (1) Middle Plate | D. (1) PTFE white washer | F. (1) Thrust ball bearing | H. (1) Main Bolt |                        |

\*Product images are not to scale

## PREDRILLED TO FIT

- Garmin Kraken 24V/36V
- Power Pole Move PV 36V/24V
- Rhodan smaller mount 4 bolt 24V
- Rhodan large mount 6 bolt 36V 96"/108"
- Minn Kota RTA 54/62 (fits all 36V permanent magnet motors)
- Minn Kota RTA 55/56 (fits all new Brushless/Quest motors)
- Minn Kota RTA 17 (fits all 24V motors for Smaller units)

## TOOLS NEEDED FOR INSTALLATION

- 1/2 in. Allen key socket
- Marine grade grease (Tef Gel)
- Ratchet
- 3/4 in. Drill bit
- Marine grade silicone (5200)
- 1 1/16 in. Wrench or socket
- 5/16 in. Drill bit
- Thread locker (Blue 242 Loctite)
- 1/2 in. Wrench

# NOTICE

Sea Swivel does not assume responsibility for any loss or damages to the trolling motor or damages to vessel and mounting surface. It is important to contact your boat manufacturer to ensure that your vessel is capable of supporting a trolling motor installation. Additionally, it is crucial to follow the instructions provided in the installation manual. Please exercise caution and avoid over-tightening the mounting bolt, as it may result in damage to the bearing and/or vessel.

## BEFORE STARTING



- Please read the installation notice when unboxing the unit.
- Refer to the trolling motor's manufacturer guide for recommended hardware.
- Check for access to the underside of the mounting surface.
  - Install on a flat surface to avoid misaligning of the Pull Pin on the Top Plate.
  - Check that the Bottom Plate fits flat on the underside on the mounting surface.

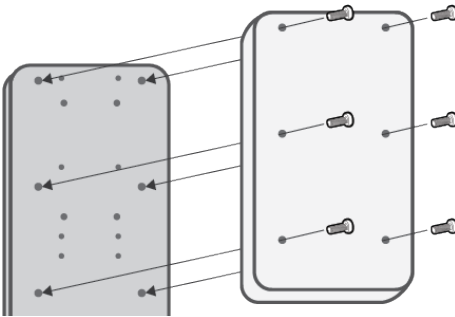
## INSTALLATION VIDEO

You can scan or click the QR code to watch an install video explaining each step of the process for the Sea Swivel.

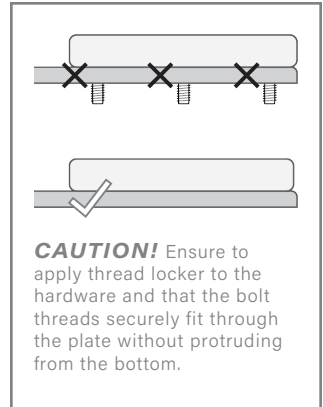


If you have any questions, please contact us through email at [info@seaswivel.com](mailto:info@seaswivel.com) or call us at (305)908-3834

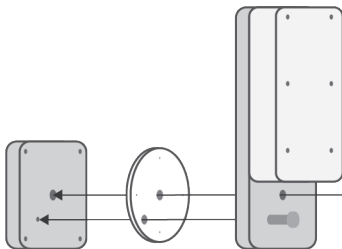
## INSTALLATION



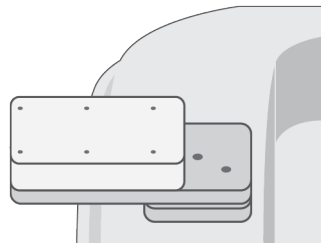
**STEP 1:** Attach the quick-release puck to the top plate of the trolling motor using the pre-drilled and threaded holes that align with it.



**CAUTION!** Ensure to apply thread locker to the hardware and that the bolt threads securely fit through the plate without protruding from the bottom.



**STEP 2:** Stack together the Top Plate, the PTFE White Washer, and the Middle Plate so the center holes align and the pull pin is locked in place.

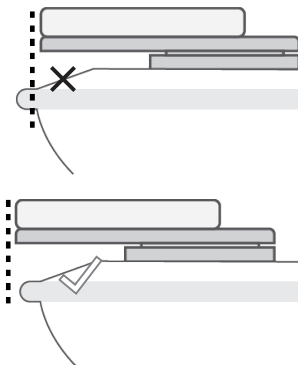


**Step 3:** Place the unit in the deployed position over the gunnel.

**STEP 4:** Align the edge of the top plate with the rub rail to ensure that the trolling motor shaft clears the rub rail when deployed.

**CAUTION!** If using a RHODAN trolling motor, install the Sea Swivel at a 45° angle towards the bow. Refer to the manufacturer's instructions for recommended clearance between the shaft and the hull or rub rail before selecting the installation location.

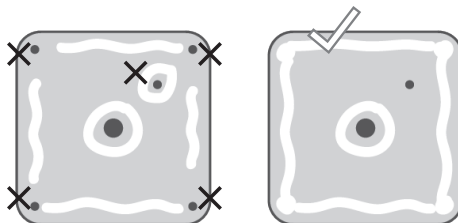
Scan or click the QR code to watch the install video for a Rhodan trolling motor.



**STEP 5:** With the Sea Swivel properly aligned in the deployed position. Use it to mark and drill the Middle Plate's main 3/4" hole and the four 5/16" holes onto the mounting surface.

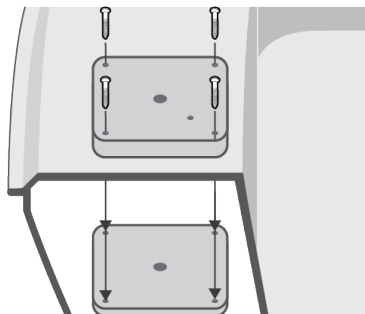
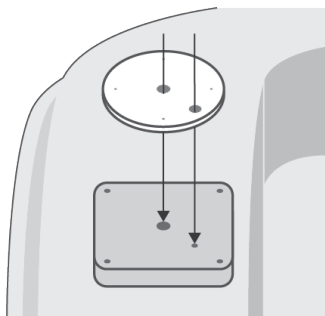
**STEP 6:** Apply marine grade silicone to the back of the Middle Plate and in the four 5/16" holes. Avoid pointing silicone around the Pull Pin Receiver. This will help seal the surface from water intrusion.

See example to the right.



**STEP 7:** Carefully place the Middle Plate back onto the mounting surface and aligning it to the new holes. Then use the four supplied Perimeter Bolts to install the Middle Plate and Bottom Plate to the mounting surface.

**CAUTION!** Remove any excess glue that emerges during installation, particularly around the Pull Pin Receiver. Residue inside may cause the pull pin to feel sticky once it dries.



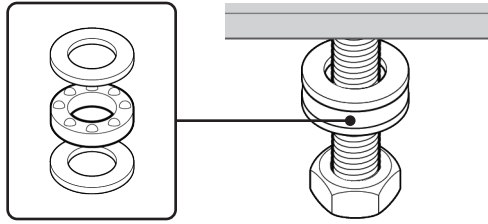
**STEP 8:** Place the PTFE White Washer and the Top Plate onto the middle plate. Aligning the components using the large center hole and the pull pin receiver.

**STEP 9:** Apply a marine grade grease to the Main Bolt threads and the ball bearing assembly. Slide the Main Bolt in place through the center hole.

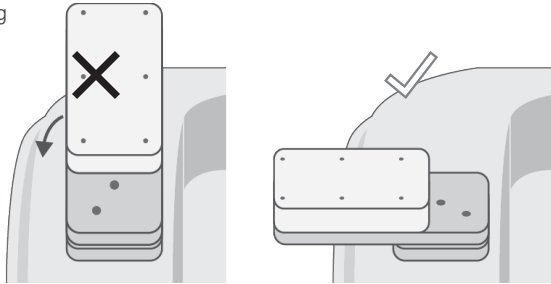
**CAUTION!** DO NOT SKIP THIS STEP. The 316 stainless hardware is susceptible to galling or thread locking. If this happens you will need to cut the main bolt off and purchase a new main bolt and nut.

# INSTALL CONTINUED

**STEP 10:** Make sure the bearing and the two washers are correctly aligned, with the bearing positioned between the washers. Then, place this assembly onto the Main Bolt between the Bottom Plate and the Locknut.



**STEP 11:** Before tightening the main bolt, ensure the pull pin is engaged in the middle plate and the Sea Swivel is in the deployed position over the gunnel. This ensures proper alignment of the plates before tightening. Avoid over-tightening the bolt.



**CAUTION!** Depending on your vessel's construction, apply 30-60 ft-lbs of torque, but do not exceed 80 ft-lbs. Exceeding this limit may damage the bearing assembly.

**STEP 12:** If the swivel plate is hard to move with the trolling motor installed, loosen the main bolt slightly to reduce pressure. Also, check with your boat manufacturer to ensure your vessel can handle the trolling motor's forces.

**STEP 13:** Attach your preferred trolling motor support bracket to the motor head. Most manufacturers recommend this to prevent bouncing offshore and to secure the swivel mount while stowed.

## CONTACT US AT

seaswivel.com - info@seaswivel.com - (305)-908-3834

## LIMITED LIFETIME WARRANTY

Sea Swivel offers a limited lifetime warranty. It will be free of defects in material and manufacture. SEASWIVEL MAKES NO OTHER WARRANTIES, EXPRESS OR IMPLIED, INCLUDING BUT NOT LIMITED TO, ANY IMPLIED WARRANTY OF MERCHANTABILITY OR FITNESS FOR A PARTICULAR PURPOSE. This warranty does not cover damage resulting from the use or inability to use Sea Swivel due to misuse or workmanship in application, or application not in accordance with Sea Swivel recommended procedures. Important Notice: User is responsible for determining whether the Sea Swivel product is fit for a particular purpose and suitable for user's method of application. Limited Lifetime Warranty refers to the life of the product, not the boat, or the owner. Limited Lifetime Warranty ends when the product becomes unusable for reasons other than manufacturing defects. Sea Swivel shall not otherwise be liable for loss or damages, whether direct, indirect, special, incidental, or consequential, regardless of the legal theory asserted, including negligence, warranty, or strict liability.

ENGINEERED &  
MADE IN THE USA



FOLLOW US ON  
INSTAGRAM  
@SEASWIVEL

