

SCM-CLX-RGBW-SS

FRONT FACING COURTESY LIGHT



DESCRIPTION

The Shadow-Caster® CLX Courtesy Light is an innovative solution for lighting accent and functional areas of your vessel. These front-facing lights have a true white channel for plenty of light efficiency, are waterproof, and designed with a low profile to create a seamless look on your boat.

Beautifully light your boat's steps, coves, shelves, compartments and work areas with our CLX Courtesy Lights.

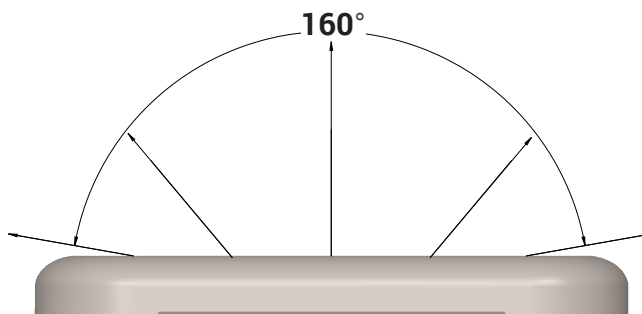


SPECIFICATIONS

- Up to 80 lumens of white light
- Current draw 50mA for each channel (red, green, blue and white)
- 12V DC, 300mA max current
- 1.5W max power dissipation
- UV stabilized polycarbonate housing
- Stainless steel 316 polished bezel
- IP67 water resistant design
- 5 conductor RGBW wire
- 3" x 1" x 0.32" [76.2 x 25.4 x 8.13mm]

LIGHT OUTPUT PATTERN

The Shadow-Caster® CLX Courtesy Light provides an extra wide 160° angle of illumination to efficiently light your boat's steps, coves, shelves, compartments and work areas.



Designed & Manufactured
in Clearwater, FL

© 2024 Shadow-Caster® LEDs. All Right Reserved.

Shadow-Caster® LED Lighting | 2060 Calumet Street, Clearwater, FL 33765
p: +1 727.474.2877 e: info@shadow-caster.com w: shadow-caster.com

SCM-CLX-RGBW-SS

FRONT FACING COURTESY LIGHT



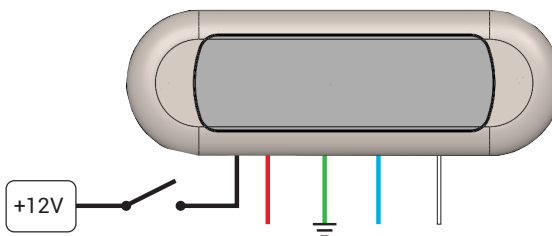
▶ OPERATION, WIRING & USE SCHEMATICS

The CLX RGBW has four independent color channels: red, green, blue and a true 6000 Kelvin CCT white. Depending on the desired application, the light can be used as a single color light, a two color light with a switch, or use with a Shadow-Caster® lighting controllers for dimming and full color control.

SINGLE COLOR LIGHTING

To set the CLX Courtesy Light to illuminate in a single color (red, green, blue or white), simply ground the corresponding wire color.

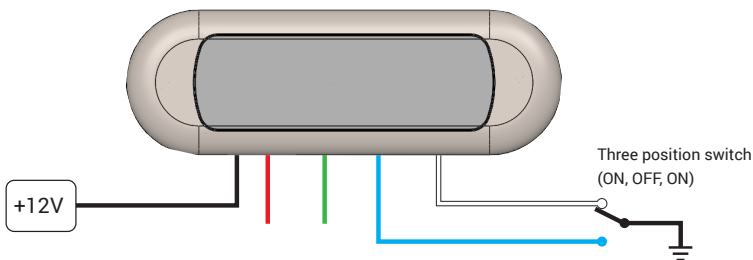
This example shows the green wire is grounded, fixing the color to green only.



TWO COLOR LIGHTING

To set the CLX Courtesy Light to illuminate with two colors, connect the selected color wiring to a 3-position switch.

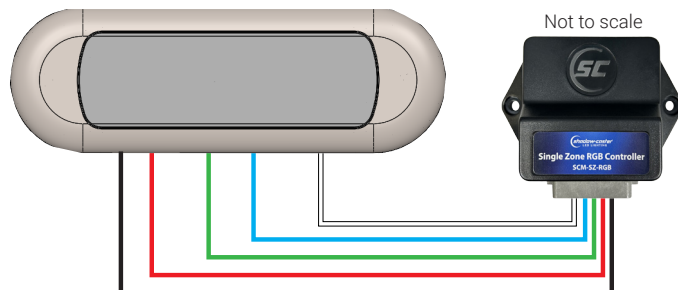
This example shows a blue-white configuration.



FULL RGBW LIGHTING

To set the CLX Courtesy Light to illuminate with the full color spectrum, connect all wires to a Shadow-Caster lighting controller.

This example shows connection to the Single Zone Lighting Controller (SCM-SZ-RGB). Connection could instead be made to the Light Commander series controllers (SCM-LC-N2K series).



Designed & Manufactured
in Clearwater, FL

© 2024 Shadow-Caster® LEDs. All Right Reserved.

Shadow-Caster® LED Lighting | 2060 Calumet Street, Clearwater, FL 33765
p: +1 727.474.2877 e: info@shadow-caster.com w: shadow-caster.com

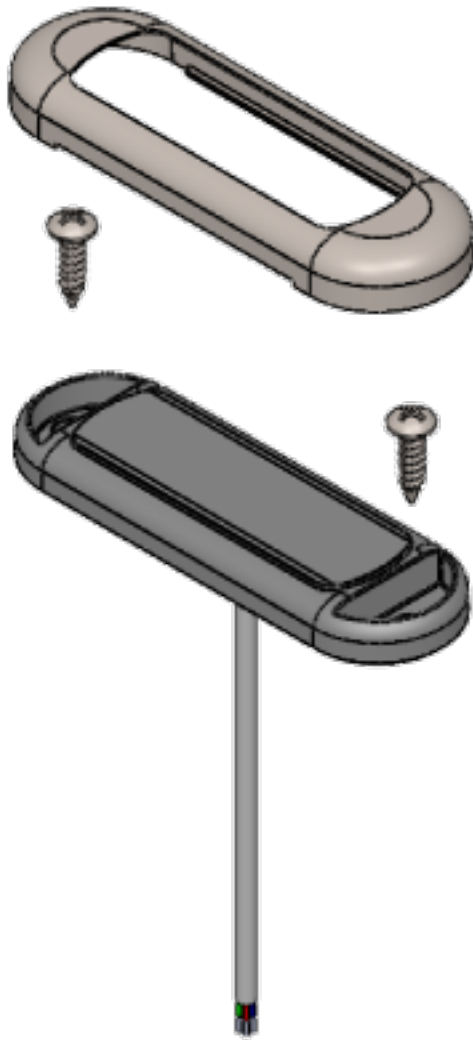
SCM-CLX-RGBW-SS

FRONT FACING COURTESY LIGHT



▶ MOUNTING INSTRUCTIONS

1. Find a flat spot to mount the CLX Courtesy Light.
2. Print the mounting template (see page 4) and tape to your preferred mounting location.
3. Drill the pilot holes and center hole.
4. Use a marine sealant around the base and mounting hardware.
5. Use Perma-Seal connectors for the wiring.
6. Install the stainless steel cover. This will snap into place over the top of the courtesy light to conceal the mounting hardware.



Designed & Manufactured
in Clearwater, FL

© 2024 Shadow-Caster® LEDs. All Right Reserved.

Shadow-Caster® LED Lighting | 2060 Calumet Street, Clearwater, FL 33765
p: +1 727.474.2877 e: info@shadow-caster.com w: shadow-caster.com

SCM-CLX-RGBW-SS

FRONT FACING COURTESY LIGHT

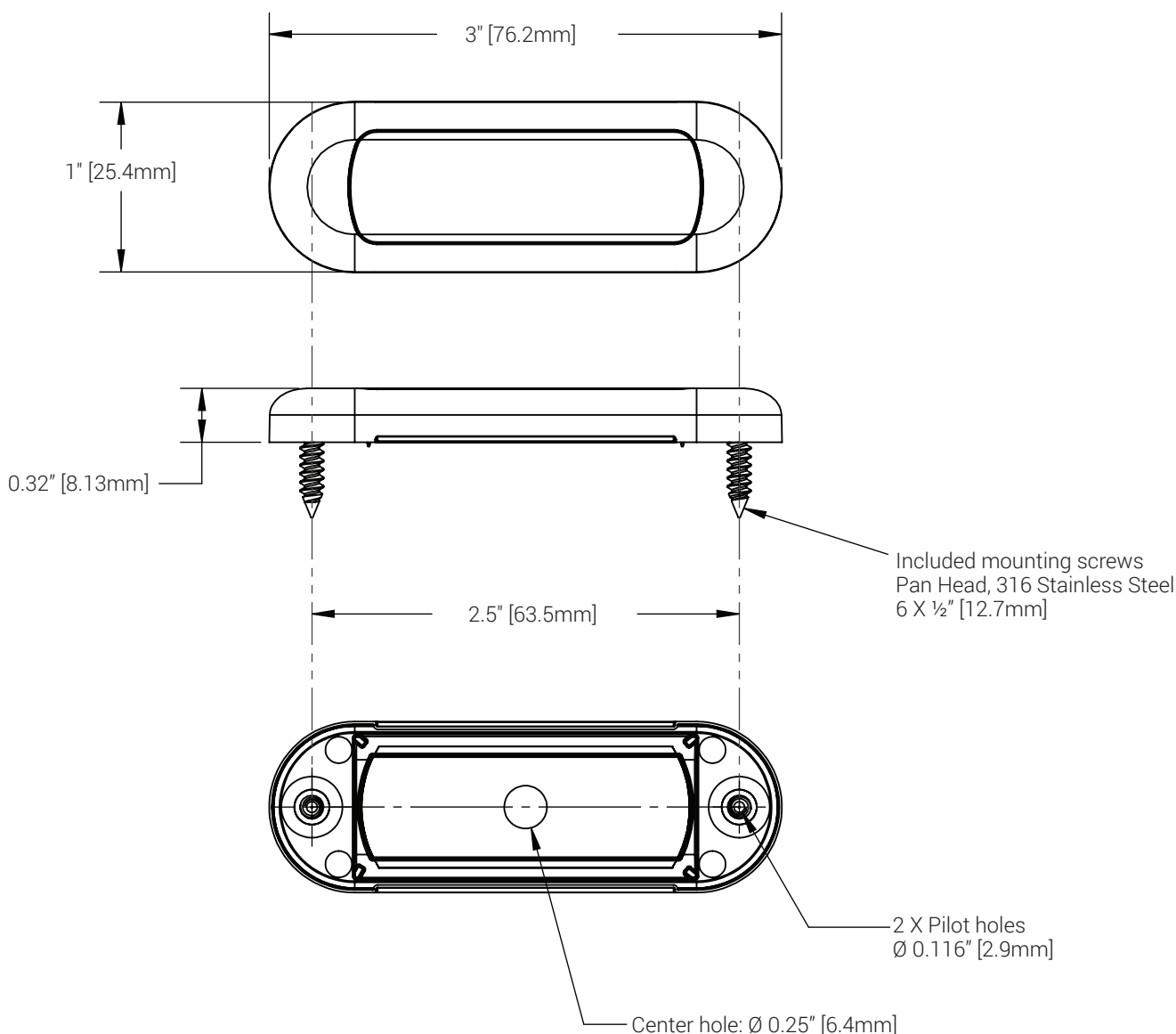


▶ MOUNTING TEMPLATE & DIMENSIONS

IMPORTANT!

When printing installation templates, please ensure your printer is set to print at 'Actual Size' and double check all printed dimensions exactly match the specified dimensions.

SCALE 1:1



Designed & Manufactured
in Clearwater, FL
© 2024 Shadow-Caster® LEDs. All Right Reserved.

Shadow-Caster® LED Lighting | 2060 Calumet Street, Clearwater, FL 33765
p: +1 727.474.2877 e: info@shadow-caster.com w: shadow-caster.com