

HIGH PERFORMANCE
MARITIME
PRODUCTS

em-trak I100

Product configuration manual



em-trak 
High Performance Maritime Products

www.em-trak.com


Contents

1 - Notices	2
1.1 - Safety warnings.....	2
1.2 - General notices	2
2 - About AIS	3
2.1 - Static and dynamic vessel data.....	4
3 - Installing and charging the Identifier	5
3.1 - Supplied items.....	5
3.2 - Installing the Identifier bracket	7
3.3 - Charging the Identifier	8
4 - Configuring the Identifier	9
4.1 - Installing quickAIS.....	9
4.2 - Connecting to the Identifier	9
4.3 - Identifier configuration.....	10
5 - Using the Identifier	12
5.1 - Activating and deactivating the Identifier.....	13
5.2 - Status indicator	14
5.3 - SOS button.....	16
6 - Troubleshooting	17
7 - Identifier specification	18

List of Figures

Figure 1 - Identifier package contents	5
Figure 2 - Configuration pack contents.....	6
Figure 3 - Installing the Identifier bracket	7
Figure 4 - Charging the Identifier.....	8
Figure 5 - quickAIS layout	11
Figure 6 - Identifier status indicator and SOS button.....	12
Figure 7- Activating the Identifier.....	13
Figure 8 - Identified common status indications - while active .	15
Figure 9 - SOS function activation.....	16

1 Notices


 When reading this manual please pay attention to warnings marked with the warning triangle shown on the left. These are important messages for safety, installation and usage of the product.

1.1 Safety warnings

 This equipment must be installed in accordance with the instructions provided in this manual.

 Do not install this equipment in a flammable atmosphere such as in an engine room or near to fuel tanks.

 Any attempt to tamper with or damage this product will invalidate the warranty.

 This product contains a Lithium-Ion battery. Never expose to fire or high temperatures. Do not attempt to disassemble the product. Do not short circuit the battery or attempt to charge with equipment other than the supplied charger.

1.2 General notices

Position source

All marine Automatic Identification System (AIS) transceivers utilise a satellite based location system such as the Global Positioning System (GPS) network.

The accuracy of a GPS position fix is variable and is affected by factors such as the antenna positioning, how many satellites are used to determine a position and for how long satellite information has been received for.

RF emissions notice

Caution: The AIS transceiver generates and radiates radio frequency electromagnetic energy. This equipment must be installed and operated according to the instructions contained in this manual. Failure to do so can result in personal injury and / or AIS transceiver malfunction.

Accuracy of this manual

The AIS transceiver may be upgraded from time to time and future versions of the AIS transceiver may therefore not correspond exactly with this manual. Information contained in this manual is liable to change without notice. The manufacturer of this product disclaims any liability for consequences arising from omissions or inaccuracies in this manual and any other documentation provided with this product.

2 About AIS

The marine Automatic Identification System (AIS) is a location and vessel information reporting system. It allows vessels equipped with AIS to automatically and dynamically share and regularly update their position, speed, course and other information such as vessel identity with similarly equipped vessels. Position is derived from the Global Positioning System (GPS) and communication between vessels is by Very High Frequency (VHF) digital transmissions.

There are a number of types of AIS device as follows:

- **Class A transceivers.** These are similar to class B transceivers, but are designed to be fitted to large vessels such as cargo ships and large passenger vessels. Class A transceivers transmit at a higher VHF signal power than class B transceivers and therefore can be received by more distant vessels. They also transmit more frequently. Class A transceivers are mandatory on all vessels over 300 gross tonnes on international voyages and certain types of passenger vessels under SOLAS regulations.
- **Class B transceivers.** Similar to class A transceivers in many ways, but are normally lower cost due to the less stringent performance requirements. Class B transceivers transmit at a lower power and at a lower reporting rate than class A transceivers.
- **AIS base stations.** AIS base stations are used by Vessel Traffic Systems to monitor and control the transmissions of AIS transceivers.
- **Aids to Navigation (AtoN) transceivers.** AtoNs are transceivers mounted on buoys or other hazards to shipping which transmit details of their location to the surrounding vessels.
- **AIS receivers.** AIS receivers will generally receive transmissions from class A transceivers, class B transceivers, AtoNs and AIS base stations but do not transmit any information about the vessel on which they are installed.
- **AIS Identifier.** The Identifier is a unique, self-contained AIS vessel tracking device. The key features of the AIS Identifier are as follows:
 - Self-contained VHF and GPS antennas
 - Internal rechargeable battery pack for up to 5 days of operation
 - Electronic security link to vessel mounting bracket
 - Simple installation


2.1 Static and dynamic vessel data

There are two categories of information transmitted by an AIS transceiver: static and dynamic data.

The vessel's dynamic data, which includes location, speed over ground (SOG) and course over ground (COG), is calculated automatically using the internal GPS receiver.

Static data is information about the vessel which must be programmed into the AIS transceiver. This includes:

- Maritime Mobile Service Identity (MMSI)
- Vessel name
- Vessel call sign (if available)
- Vessel type
- Vessel dimensions
 - In most countries the operation of an AIS transceiver is included under the vessel's marine VHF licence provisions. The vessel on to which the AIS unit is to be installed must therefore possess a current VHF radiotelephone licence which lists the AIS system, vessel Call Sign and MMSI number.

 **An MMSI number is required in order for the AIS transceiver to operate. Please contact the relevant authority in your country for more information.**

3 Installing and charging the Identifier

3.1 Supplied items

Figure 1 shows the items that are included with each Identifier. Note that a configuration dock and PC configuration software are supplied separately in a configuration pack. The contents of the configuration pack are shown in Figure 2.

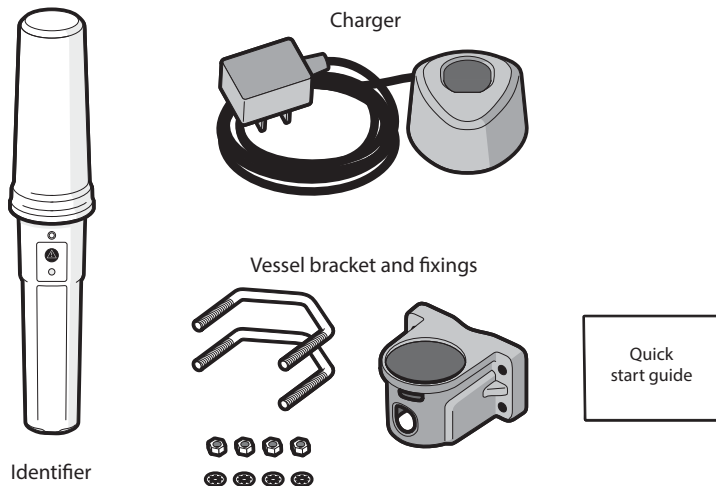


Figure 1 Identifier package contents

Identifier

The Identifier AIS tracking device. The Identifier is self-contained and incorporates a rechargeable battery pack, VHF antenna and GPS antenna.

Charger

The charger base is used to recharge the Identifier from an AC mains supply.

Vessel bracket and fixings

The vessel bracket is used to attach the Identifier to the vessel. It also automatically switches the Identifier on when installed in the bracket.

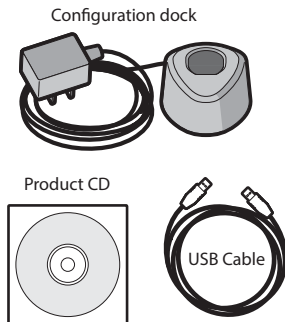


Figure 2 Configuration pack contents

Configuration dock

The configuration dock is used to connect the Identifier to a PC or Mac during configuration. The configuration dock can also be used to charge the Identifier.

USB Cable

The USB Cable is used to connect the configuration dock to the PC or Mac.

CD

The CD contains the configuration software and this user manual in PDF format.

Product manual

This document is the product manual.

3.2 Installing the Identifier bracket

The Identifier must be located in the supplied mounting bracket when in use. Insertion into the bracket activates the Identifier and the Identifier is inactive when removed from the bracket.

The bracket should be fixed to the vessel using the supplied u-bolts, washers and nuts as shown in Figure 3. The bracket should be mounted to a **non-metallic** vertical pole and installed in a location where the status indicator is visible. Ideally the Identifier should be installed approximately 2m above sea level. The area around and above the Identifier should be clear from any obstructions as these may affect GPS reception and / or VHF transmission range.

Ensure that the Identifier bracket is installed in the orientation shown in Figure 3.

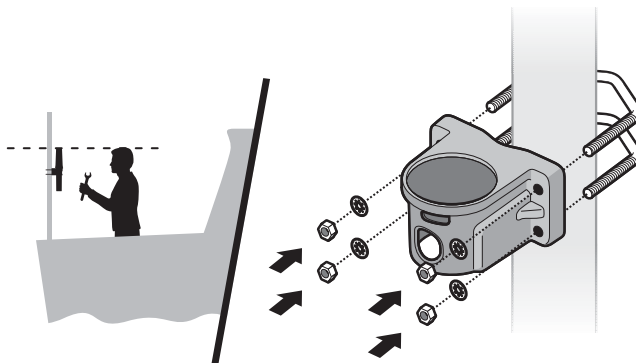


Figure 3 Installing the Identifier bracket

3.3 Charging the Identifier

The Identifier is shipped with a partial charge and requires a full charge prior to installation on a vessel. The Identifier is charged by placing it in the charging dock as shown in Figure 4.

During charging the status indicator will flash at a steady rate. When charging is complete the status indicator will stop flashing and remain constantly illuminated. Depending on the condition of the battery a full charge can take up to 5 hours to complete.

Note that the Identifier can be configured as described in section 4 prior to charging.

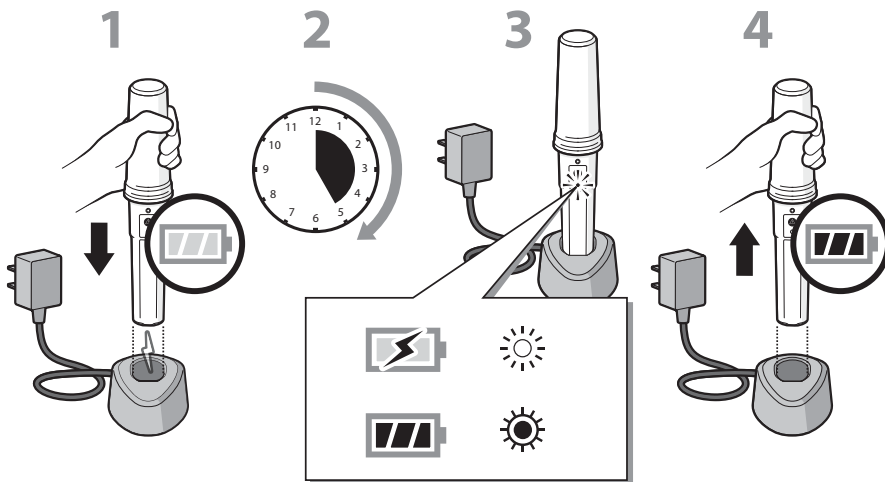


Figure 4 Charging the Identifier



The Identifier will not charge if the internal temperature is below 0°C or above 40°C. If the temperature is outside this range the status indicator will flash rapidly to indicate a charging fault.

4 Configuring the Identifier

The Identifier transmits standard AIS position and vessel data reports. It requires configuration with the relevant vessel information prior to installation. Configuration is carried out from a PC or using the quickAIS application supplied on CD in the configuration pack.

4.1 Installing quickAIS

1. Insert the CD into your PC and navigate to the 'quickAIS' folder. Double click the setup.exe file then follow the on-screen prompts.
2. If a security warning appears, click 'Install' to continue with the installation.
3. Once installation is complete quickAIS can be launched from the quickAIS folder in the Windows Start menu.

4.2 Connecting to the Identifier

Connect to the Identifier by inserting it into the configuration dock (supplied in the configuration pack) and connecting the configuration dock USB cable to a PC. The first time the connection is made the USB drivers must be installed. Please follow any on screen instructions to complete driver installation.

Once the drivers are installed, launch the quickAIS application. The latest version of the configuration dock will be automatically detected by quickAIS. For earlier versions of the configuration dock select the relevant communications port from the drop down menu. The port will be listed as "USB Serial Port (COMx)" where x is the number of the port.

4.3 Identifier configuration

The Identifier can be programmed with the following vessel information using quickAIS. A screen shot showing key features of the application is provided in Figure 5.

- **MMSI number**
Enter the vessel's 9 digit MMSI number. The MMSI must be programmed to operate the Identifier.
- **Ship's name**
Enter the vessel name or other identification.
- **Call sign**
Enter the vessel call sign (if available).
- **Vessel type**
Select the most appropriate vessel type from the drop down list.
- **Ship's dimensions**
Enter the vessel dimensions, referenced to the location of the identifier, to the nearest whole metre.
Optionally vessel dimensions may be entered in feet by selecting the 'Feet' option. Dimensions entered in feet will be converted to metres and rounded to the nearest whole metre when programming the Identifier.

To store the configuration in the Identifier click the green 'Configure Device' button and acknowledge the MMSI programming warning. To read out the configuration of an Identifier that has previously been programmed click the button to 'Retrieve configuration from Identifier' shown in Figure 5.

It is possible to change any previously configured information except for the MMSI number. Changes to the MMSI number can only be made in the quickAIS 'Advanced' mode. Please contact your supplier or em-trak technical support for further details.

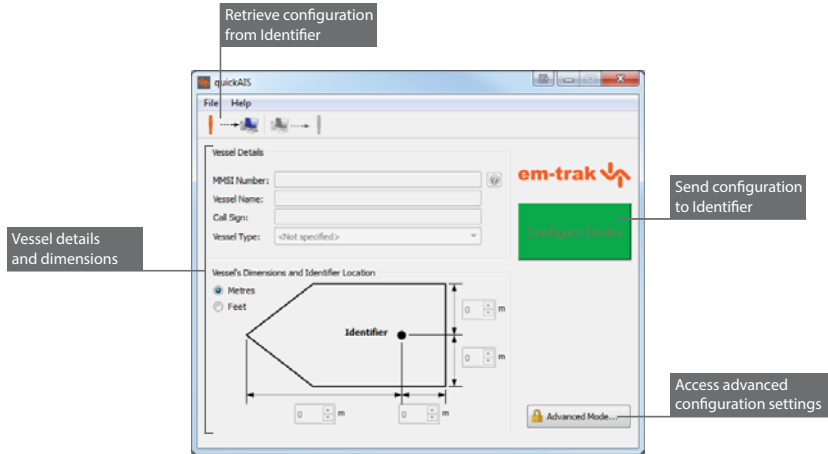


Figure 5 quickAIS layout

5 Using the Identifier

The Identifier is ready for use once charged and configured. The location of the status indicator and SOS button are shown in Figure 6.

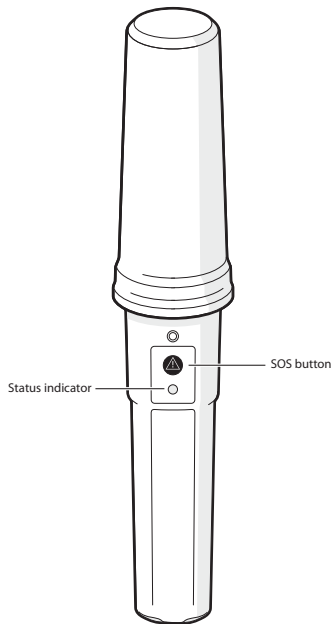


Figure 6 Identifier status indicator and SOS button

5.1 Activating and deactivating the Identifier

The Identifier is activated by placing it in the supplied vessel bracket and de-activated when removed from the bracket. Note that the Identifier is 'paired' to the first bracket with which it is used. When inserted into an incorrect bracket the Identifier will continue to report position and vessel data combined with a bracket security alert.

To activate the Identifier insert and lock into the vessel bracket as shown in Figure 7.

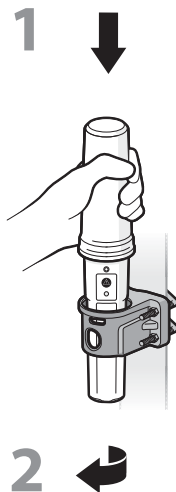


Figure 7 Activating the Identifier

The Identifier will only fit into the bracket in one orientation, as shown in Figure 7. Do not try to force the Identifier into the bracket in the wrong orientation.



The Identifier will transmit vessel position every 5 minutes once activated. Under normal operating conditions the battery will provide 5 days operating life before a the Identifier needs to be recharged.

5.2 Status indicator

While active in the vessel bracket

The status indicator shows the current operating state of the Identifier. The status indicator flashes every 5 seconds. The number of flashes indicates the status conditions defined in the table below. The key status indications are also shown in Figure 8.

Number of flashes	Status
1	Identifier is active and operating normally
2	Low battery warning, Identifier continues to operate until battery is exhausted
3	Error condition - please contact your dealer for support
4	Identifier is mounted in the wrong vessel bracket, Identifier continues to operate as normal
5	Waiting for GPS fix or no GPS fix. If this condition persists for more than a few minutes relocate the Identifier to a location with a clear sky view.
6	Transmit timeout - Identifier is unable to transmit due to AIS network congestion
7	No MMSI programmed. The Identifier is unable to transmit because no MMSI has been configured.

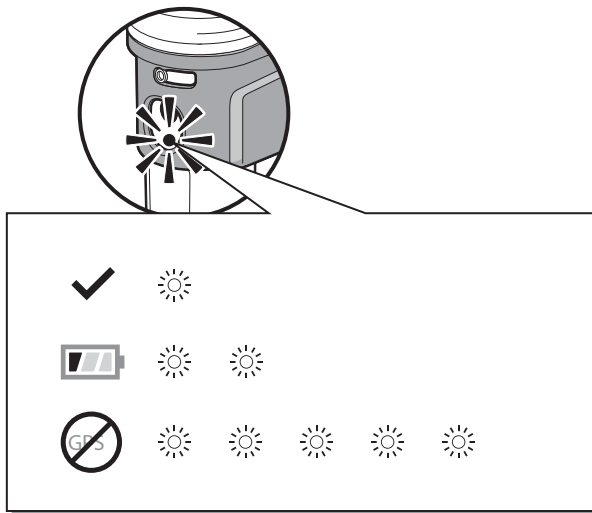


Figure 8 Common status indications - while active

While charging

The status indicator flashes every second. When charging is complete the status indicator will remain continuously illuminated. A charging error is indicated by continuous rapid flashes of the status indicator. The most likely cause of a charging error is high temperature. The charger will not operate above 40°C for safety reasons.

5.3 SOS button

The SOS function is activated by pressing and holding the SOS button for a minimum of five seconds. When activated the Identifier will transmit an AIS Safety Related Message with the text contents 'MAYDAY MAYDAY'. The message is repeated every minute while the function is active.

While the SOS function is active the status indicator will flash rapidly. To disable the SOS function press and hold the SOS button for at least three seconds.



Figure 9 SOS function activation

The SOS function is operable with the Identifier located in or out of the vessel bracket and also when the Identifier is in the charger.

6 Troubleshooting

Issue	Possible cause and remedy
The Identifier status indicator does not flash when placed in the holder	<ul style="list-style-type: none"> • The Identifier is in 'deep sleep' mode and requires charging in order to activate for use. • The Identifier battery is exhausted and requires charging.
The Identifier status indicator periodically flashes more than once when placed in the holder	<ul style="list-style-type: none"> • Please refer to the status indicator description in section 5.2.
The AIS transmission range of the Identifier is reduced	<ul style="list-style-type: none"> • The Identifier should be mounted as high as possible on the vessel and should not be attached to a vertical metal surface or pole as this will interfere with the operation of the internal VHF antenna.
The Identifier does not obtain a GPS position fix (status indicator flashes amber 5 times)	<ul style="list-style-type: none"> • Ensure that the Identifier is installed outdoors with a clear unobstructed view of the sky. • Avoid locating the Identifier close to large metal structures.
The Identifier status indicator does not flash when the Identifier is placed in the charger	<ul style="list-style-type: none"> • Remove the Identifier from the charger and re-insert • Check that the charger is plugged into a mains outlet and that the outlet is live
The Identifier status indicator flashes amber rapidly when the Identifier is being charged	<ul style="list-style-type: none"> • The temperature is too high or low to safely charge the battery. Move the Identifier to a location where the temperature is between 0°C and 40°C • A charging error has occurred - please contact your dealer

7 Identifier specification

Parameter	Value
Dimensions	350mm x 63mm max. diameter (without bracket)
Weight	250g (Identifier unit only)
Power	Built in 2200mAh Lithium-Ion battery pack
Charger	100-240VAC input, 5V 1.2A output.
GPS receiver	50 channel receiver and internal GPS antenna
VHF transmitter frequency range	156.025 to 162.025MHz
Transmitter output power	1W radiated (EIRP)
Channel bandwidth	25kHz
Modulation mode	25kHz GMSK
Environmental	IEC60945 'Exposed' category
	Waterproof to IPx6 and IPx7
	Operating temperature -15°C to 55°C

The em-trak I100 is an aid to navigation and must not be relied upon to provide accurate navigation information. AIS is not a replacement for vigilant human lookouts and other navigation aids such as Radar. The performance of the I100 may be seriously impaired if not installed as instructed in the user manual, or due to other factors such as weather and or nearby transmitting devices. Compatibility with other systems may vary and is reliant on the third party systems recognising the standard outputs from the I100. em-trak reserves the right to update and change these specifications at any time and without notice.

For support enquires email: support@em-trak.com

Head Office:

em-trak Marine Electronics Ltd
Wireless House,
Westfield Industrial Estate,
Midsomer Norton,
Bath, BA3 4BS
United Kingdom T +44 (0)1761 409559 | F +44 (0)1761 410093
enquiries@em-trak.com

Regional Office:

em-trak Marine Electronics Limited 470
Atlantic Avenue,
4th floor,
Boston MA 02210
USA
T +1 617 273 8395 | F +1 617 273 8001
enquiries@em-trak.com