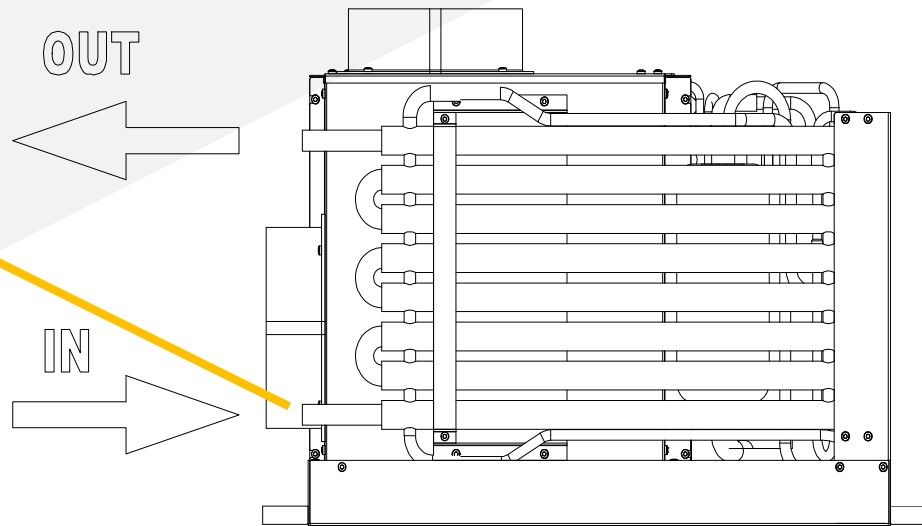


WATER PUMP AND HOSES

PIPE DIAMETER

i10VSD	i16VSD	i21VSD
3/4 in [19mm]	3/4 in [19mm]	5/8 in [16mm]

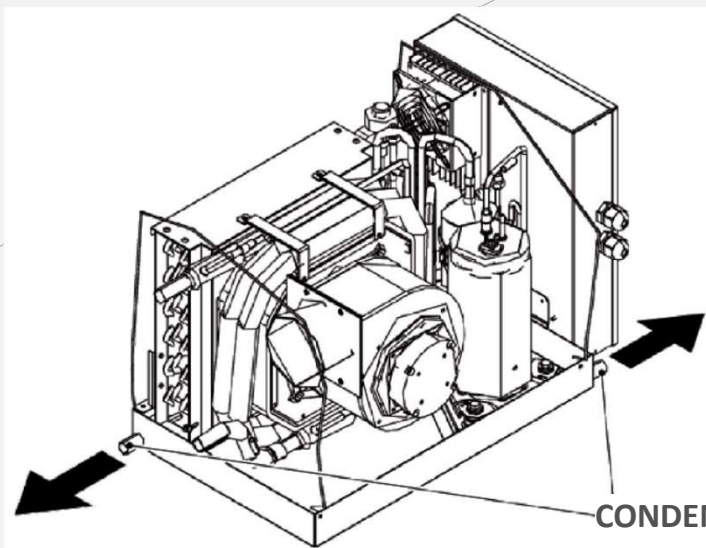
USE HIGH PRESSURE MARINE GRADE HOSE AND STAINLESS-STEEL CLAMPS



MIN. WATER FLOW

i10VSD	i16VSD	i21VSD
3.2 GPM [12 l/min]	4 GPM [15 l/min]	5.2 GPM [20 l/min]

WATER PUMP AND HOSES



CONDENSATION DRAINS

PIPE DIAMETER

i10VSD	i16VSD	i21VSD
5/8 in [16mm]	9/16 in [14mm]	9/16 in [14mm]

CONDENSATION HOSES CAN BE
ROUTED TO THE BILGE OR TO A TANK

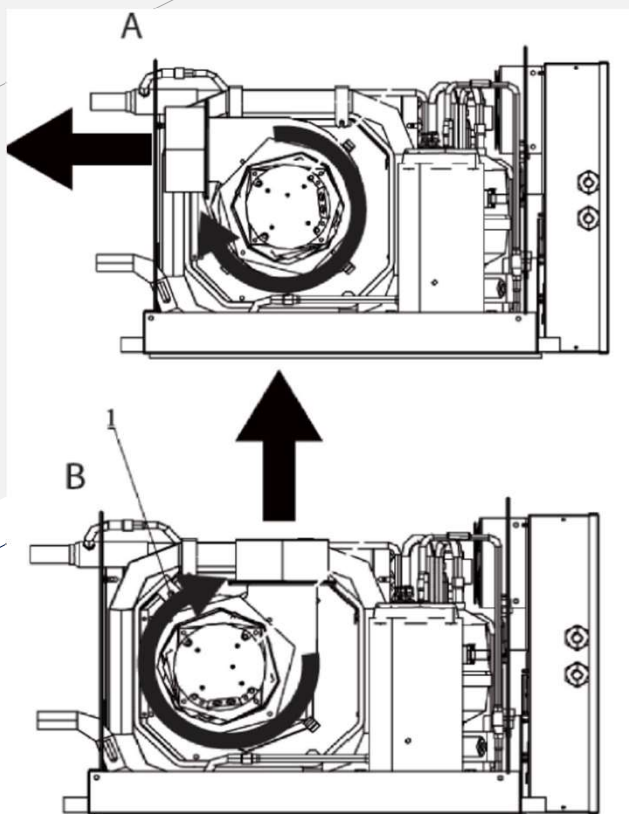
TO AVOID BAD MELLO A **P-TRAP** MAY
BE ADDED DOWNSTREAM

AIR DUCTING



AIR DUCTS DIAMETER

i10VSD	i16VSD	i21VSD
4 in [100 mm]	5 in [120 mm]	6 in [150 mm]



FAN CAN BE ROTATED TO
CONVENIENTLY POSITION THE AIR
OUTPUT

1- LOOSEN THE BOLT ON THE
COLLAR

2- CHANGE ORIENTATION OF THE
FAN OUTPUT

3- TIGHTEN THE NUT ON THE
COLLAR