

Visit ProMariner online at [www.promariner.com](http://www.promariner.com), for a complete selection of quality marine products...

Here are just a few:

- ProMar1 DS Series - Recreational Grade Waterproof Marine Battery Chargers
- ProSportHD Series - Heavy Duty Recreational Grade Marine Battery Chargers
- ProTechOne - On-Board Battery Charger & Maintainer
- ProNauticP Series - Sailing and Cruising Marine Battery Chargers
- ProIsoCharge Series - Digitally Controlled Zero Loss Charging Isolators
- Digital Mobile Charge In-Transit Chargers
- ProSport 1.5 Amp Multi-Use Maintainer
- Universal AC Plug Holders
- Battery Isolators
- Galvanic Isolators
- Online Technical Support and Service Support

Visit frequently, we are always adding new products for your boating enjoyment!

ProMariner™

15 Dartmouth Drive, STE 101  
 Auburn, New Hampshire 03032  
 603-433-4440  
 1-800-824-0524  
[www.promariner.com](http://www.promariner.com)

Made in China

Specifications subject to change without notice

Conforms to UL STD. 1236  
 Certified to CSA STD. C22.2 No. 107.2  
 FCC Class B and CEC listed

Designed and Constructed to ABYC A-31



04/22 A

# ProTournament<sup>elite series</sup>3

Tournament Winning On-Board Marine Battery Charger



## Owner's Manual and Installation Guide

Part No.	Model	Volts	Total Amps	No. Bat	Cable Length	Size (H x W x D)	Weight	AC In/Max Amps
53242	ProTournament240 Two Bank	12/24	24	2	6'	7.1" x 3.2" x 13.4"	9.0 lbs	120±10% VAC / 7.5 A
53243	ProTournament240 Three Bank	12/24/36	24	3	6'	7.1" x 3.2" x 13.4"	9.5 lbs	120±10% VAC / 7.5 A
53244	ProTournament240 Four Bank	12/24/36/48	24	4	6'	7.1" x 3.2" x 13.4"	9.9 lbs	120±10% VAC / 7.5 A
53363	ProTournament360 Three Bank	12/24/36	36	3	6'	9.3" x 4.2" x 13.7"	15.4 lbs	120±10% VAC / 10 A
53364	ProTournament360 Four Bank	12/24/36/48	36	4	6'	9.3" x 4.2" x 13.7"	15.8 lbs	120±10% VAC / 10 A
53505	ProTournament500 Five Bank	12/24/36/48 + Eng	50	5	6'	9.3" x 4.2" x 14.7"	16.9 lbs	120±10% VAC / 13 A
55363	ProTournamentG360 Three Bank	12/24/36	36	3	6'	9.3" x 4.2" x 14.7"	16.1 lbs	100-240 VAC / 8 A
55364	ProTournamentG360 Four Bank	12/24/36/48	36	4	6'	9.3" x 4.2" x 14.7"	16.8 lbs	100-240 VAC / 8 A
55505	ProTournamentG500 Five Bank	12/24/36/48 + Eng	50	5	6'	9.3" x 4.2" x 16.6"	18.0 lbs	100-240 VAC / 10 A

### IMPORTANT NOTICE

Please save and read all safety, operating and installation instructions before installing or applying AC power to your ProMariner ProTournament<sup>elite</sup> On-Board Marine Battery Charger.

### Your Satisfaction is Important to Us!

**Do not return this product to retailer or dealer for any service or warranty requirements. Please call our Customer Care Department at 800-824-0524 from 8:30 am to 5 pm Eastern Time for any warranty, service or installation assistance. Thank you - ProMariner Customer Care**

For use with Flooded, AGM, HP AGM and LiFePO4 Batteries. Not for use with Gel batteries, 4D or 8D large capacity batteries.

Model Number: \_\_\_\_\_ Serial Number: \_\_\_\_\_ Date of Purchase: \_\_\_\_\_

## Table of Contents

Introduction...	1
Important Safety Instructions...	2-7
General Overview...	8
General Operation...	9-12
Approved Lithium Batteries...	12
CZone...	13
Installation...	14-16
Typical Wiring...	17-29
Charging your Batteries...	30
Maintenance...	31
Troubleshooting...	32
Warranty Information...	33

### Important Charger Operation Note:

Once your new ProTournament*elite* is installed and properly connected to batteries you will be ready to plug it in.

Please note the ProTournament*elite* has a built-in self test feature that will also analyze all battery connections and batteries to determine if your boat's batteries are capable of being charged correctly. The self test is automatic and will take place every time the unit is plugged into an AC outlet. The self test takes approximately 1 minute to complete.

During the self test, the analyze mode LED indicated will pulse. When completed if everything is connected properly and the batteries are above 2.5 volts DC then the charger will register and illuminate the green system check indicator followed by a solid (non-flashing) red charge mode LED indicating all batteries are charging.

If the charger does not go into the charge mode with a solid red charge mode indicator and the System Check indicator is not illuminated with a solid green LED then a red battery bank fault LED will illuminate identifying the battery(s) that have either a wiring fault present i.e. poor connection, a blown DC cable fuse, the DC cable is wired in reverse polarity, battery cable is wired across multiple batteries in series, or the battery itself may be under 2.5 volts DC. In any of these cases, refer to the troubleshooting section on page 32 of this manual.

## Introduction

Thank you from all of us at ProMariner and congratulations on your recent purchase of the new ProTournament*elite* Generation 3 On-Board Marine Battery Charger. ProTournament*elite*<sup>3</sup> provides a competitive edge getting you on the water first with power to last. Using advanced thermal modeling, its tri-surface aluminum heat sink delivers true-rated constant current charging amperage for the fastest charge times.

Packed with new features, the ProTournament*elite*<sup>3</sup> boasts an industry first LED Charge Status AC Glow Plug\*, that when connected to an extension cord outside of your boat, illuminates 3 individual colors for charging, conditioning or auto maintaining your fully charged batteries. High Power ProTournament*elite* 360 and 500 models feature an industry leading selectable TurboCharge Mode\* with Forced Induction Power Flow Cooling\* for time critical charging.

Give your batteries what they demand with ProTournament*elite*'s four digitally selectable performance matched 5-stage charge profiles now including ProMariner approved LiFePO4\*\* batteries as well as pure lead AGM and flooded lead acid batteries.

### Have the edge with our *elite* Professional Performance feature set:

- Charge Status AC Glow Plug\*
- TurboCharge Technology and Power Flow Cooling\* (360 and 500 Models)
- Fastest Charge Times with Distributed-On-Demand™ Technology
- Full Output 5-Stage Digital Performance Charging
- Digital LED Display with Dual Function Battery Status Monitor
- System Check OK and Check Battery Indicators
- Auto Maintain / Energy Saver Mode
- Tri-Surface Heat Sink Design
- Waterproof Connector Port For Optional Remote
- Global AC Input with CZONE NMEA2000® system models available (360G and 500G models only)

### Have 4 or 5 batteries to charge at one time on board?

Try our **New!** 50 Amp 5 Bank and 24 Amp 4 Bank Models.

Designed to last in harsh environments and certified to UL Marine 1236 while meeting new energy efficient CEC and DOE requirements. Built-in safety features including dual inline waterproof fuses, reverse polarity, over-temperature, over-current, over-voltage and ignition protection.

For more information on the ProTournament*elite*<sup>3</sup> Series, scan and visit us at:



\*Patent Pending

\*\*See manual or promariner.com/Li for approved LiFePO4 batteries and warnings  
Specifications subject to change.

## Important Safety Instructions

### SAVE THESE INSTRUCTIONS

This manual contains important safety and operating instructions for the ProTournament*elite* On-Board Marine Battery Charger.

**⚠ CAUTION** - To reduce the risk of injury, charge only Lead-acid or LiFePO4 type rechargeable batteries; Flooded, AGM, HP AGM and LiFePO4. Other types of batteries may burst, causing personal injury.

Use of attachments not recommended or sold by ProMariner may result in a risk of fire, electrical shock or personal injury.

EXTERNAL CONNECTIONS TO CHARGER SHALL COMPLY WITH THE UNITED STATES COAST GUARD ELECTRICAL REGULATIONS (33CFR183, SUB PART 1).

Before connecting your batteries or applying AC power, read all instructions and cautionary markings on the battery charger, cables, and batteries.

### **⚠ WARNING**

To reduce the risk of injury to user or property; the user must read and understand the instruction manual and all warnings on the charger and batteries before use.

### **⚠ WARNING**

RISK OF EXPLOSIVE GAS MIXTURE. Read instructions in manual before using charger.

1. Connect and disconnect battery leads only when supply cord is disconnected.
2. Do not overcharge battery - See Instruction Manual.
3. Do not smoke, strike a match, or cause a spark in vicinity of battery.
4. Use in well-ventilated area.
5. Refer to Instruction Manual for further details.

### **⚠ CAUTION**

Risk of Electric Shock. **Connect only to properly grounded GFCI (ground fault circuit interrupt) protected outlets.**

Do not expose AC Power cord connection to rain or snow.

If cords or wires/cables become damaged, return complete unit to ProMariner for service/repair immediately.

### **⚠ WARNING**

1. WARNING - RISK OF EXPLOSIVE GASES.
  - a. WORKING IN THE VICINITY OF A LEAD-ACID BATTERY IS DANGEROUS. BATTERIES GENERATE EXPLOSIVE GASES DURING NORMAL BATTERY OPERATION. FOR THIS REASON, IT IS OF UTMOST IMPORTANCE THAT YOU FOLLOW THE INSTRUCTIONS EACH TIME YOU USE THE CHARGER.
  - b. To reduce risk of battery explosion, follow these instructions and those marked on the battery.
2. Use charger for charging a LEAD-ACID or LiFePO4 battery only. It is not intended to supply power to an extra-low-voltage electrical system or to charge dry-cell batteries. Charging dry-cell batteries may burst and cause injury to persons and property.
3. NEVER smoke, strike a match or cause a spark or flame in vicinity of battery.
4. NEVER charge a frozen, damaged or leaking battery.

## Important Safety Instructions

5. Study all battery manufacturer's specific precautions such as removing or not removing cell caps while charging and recommended rates of charge.
6. Use of an attachment not recommended or sold by ProMariner may result in a risk of fire, electric shock, or injury to persons.
7. To reduce risk of damage to electric plug and cord, pull by plug rather than cord when disconnecting charger.
8. Extension cords should not be used unless absolutely necessary. Use of an improper extension cord could result in a risk of fire and electric shock. If an extension cord must be used make sure:
  - a. Pins on the plug of the extension cord are the same number, size and shape as those on the plug of the charger.
  - b. Use only a properly wired extension cord in good electrical condition.
  - c. Use an industrial grade / heavy duty UL or CSA approved and grounded extension cord. Check extension cord before use for damage, bent prongs, and cuts. Replace if damaged. Always make your extension cord connection on the charger side first. **After connecting the extension cord to the charger proceed to plug the extension cord into a nearby GFCI protected (Ground Fault Circuit Interrupt) outlet.** Below are manufacturer recommendations for the right size UL or CSA Approved grounded extension cord.
    - i. Up to 50 feet in length use a 3 conductor 14 AWG extension cord.
    - ii. 50 to 100 feet in length use a 3 conductor 12 AWG extension cord.
    - iii. 100 to 150 feet in length use a 3 conductor 10 AWG extension cord.
9. Do not operate charger if any protective AC and DC cable insulation, charging clamps, DC fuse holders and/or maintainer ring terminals have been damaged or compromised. Return the charger for service and repair to ProMariner immediately.
10. Do not operate the charger if it has received a sharp blow, direct hit of force, been dropped or otherwise damaged in any way. Return the charger for service and repair to ProMariner immediately.
11. Do not disassemble charger. Incorrect reassembly may result in a risk of electric shock or fire. If service or repair is required please call ProMariner customer service at 800-824-0524 between 8:30am-5pm (EST) Monday through Friday, or via [www.promariner.com](http://www.promariner.com). Unauthorized attempts to service, repair or modify may result in a risk of electrical shock, fire or explosion and will void warranty.
12. To reduce risk of electric shock, unplug charger from outlet before attempting any maintenance or cleaning.
13. Do not expose AC power cord connection to rain or snow.

## Important Safety Instructions

### 14. GROUNDING AND AC POWER CORD CONNECTION INSTRUCTIONS

- a. Charger should be grounded to reduce risk of electric shock. Charger is equipped with an electric cord having in equipment-grounding conductor and a grounding plug. The plug must be plugged into a **GFCI protected (Ground Fault Circuit Interrupt) outlet** that is properly installed and grounded in accordance with all local codes and ordinances.

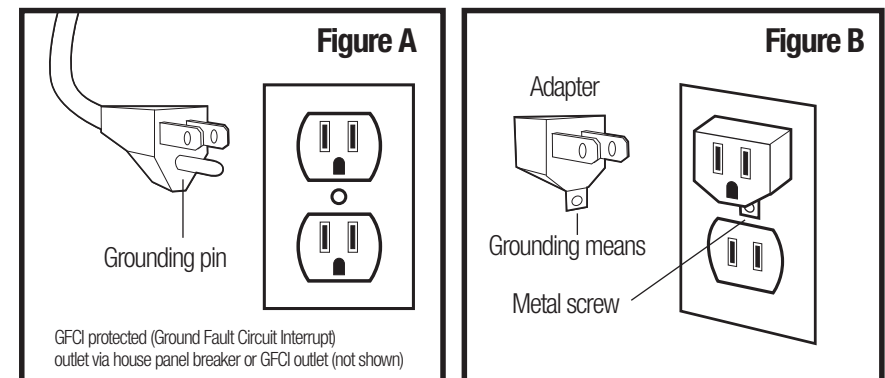
#### **⚠ DANGER**

Never alter AC cord or plug provided - If it will not fit outlet, have proper outlet installed by a qualified electrician. Improper connection can result in a risk of an electric shock.

- b. This battery charger is for use on a nominal 120-volt circuit, and has a grounding plug that looks like the plug illustrated in figure A. A temporary adapter, which looks like the adapter illustrated in figure B may be used to connect this plug to a two-pole receptacle as shown in figure B if a properly grounded outlet is not available. **The temporary adapter should be used only until a properly grounded GFCI protected outlet can be installed by a qualified electrician.**

#### **⚠ DANGER**

Before using adapter as illustrated, be certain that center screw of outlet plate is grounded. The green-colored rigid ear or leg extending from adapter must be connected to a properly grounded outlet - make certain it is grounded. If necessary, replace original outlet cover plate screw with a longer screw that will secure adapter ear or lug to outlet cover plate and make ground connection to grounded GFCI protected outlet.



Use of an adapter is not allowed in Canada. If a grounding type receptacle is not available, do not use this appliance until the proper GFCI protected outlet is installed by a qualified electrician.

## Important Safety Instructions

### 15. PERSONAL PRECAUTIONS

#### CAUTION

- a. Consider having someone close enough or within the range of your voice to come to your aid when you work near a lead-acid battery.
- b. Have plenty of soap, water and baking soda nearby in case battery acid comes in contact with skin, clothes or eyes.
- c. Wear complete eye protection, hand and clothing protection. Avoid touching eyes while working near a battery.
- d. If battery acid contacts skin or clothing, wash immediately with soap and water. If acid enters eye, immediately flood eye with running cold water for at least 15 minutes and get medical attention immediately.
- e. NEVER smoke, strike a match or cause a spark or flame in vicinity of battery or engine.
- f. Be extra cautious to reduce risk of dropping a metal tool onto the battery. It might spark or short-circuit a battery or other electrical hardware which may cause an explosion or fire.
- g. Remove all personal metal items such as rings, bracelets, necklaces, watches, and jewelry when working near a battery. A battery can produce a short circuit current high enough to weld a ring or any other metal, causing serious burns.
- h. Use charger for charging a LEAD-ACID or LiFePO4 battery only. It is not intended to supply power to a low voltage electrical system other than in a start-motor application. Do not use battery charger for charging dry-cell batteries that are commonly used with home appliances. These batteries may burst and cause injury to persons and damage to property.
- i. NEVER charge a frozen, damaged or leaking battery.
- j. Keep other persons, children and pets away from batteries and your charger during operation to avoid serious injury, death, fire or explosion.

#### DANGER: RISK OF ELECTRIC SHOCK

Do not touch uninsulated portion of output connector or uninsulated battery terminal if 3 or more batteries are connected in series.

## Important Safety Instructions

### 16. PREPARING TO CHARGE A BATTERY

#### CAUTION

- a. If necessary to remove a battery from a boat to charge, **always remove the grounded negative terminal from the battery first.** Make sure all accessories in the boat are off, as to not cause an arc. Be sure the area around the charger and batteries is well ventilated while the batteries are being charged. Gases can be forcefully blown away using a piece of cardboard or other nonmetallic material as a fan.
- b. Be sure the area around the charger and batteries is well ventilated while the battery is being charged.
  - i. If the electrolyte is splashed into an eye, immediately force the eye open and flood it with clean, cool water for at least 15 minutes. Get prompt medical attention.
  - ii. If electrolyte is taken internally, drink large quantities of water or milk. DO NOT induce vomiting. Get prompt medical attention.
- c. Neutralize with baking soda any electrolyte that spills on a vehicle or in the work area. After neutralizing, rinse contaminated area clean with water.
- d. Clean battery terminals. Be careful to keep corrosion from coming in contact with eyes.
- e. For flooded batteries with removable caps, ONLY ADD DISTILLED WATER in each cell until electrolyte reaches levels specified by the battery manufacturer. Do not over fill. For a maintenance free battery without removable caps, such as valve regulated lead acid batteries, carefully follow manufacturer's recharging instructions.
- f. Study all battery manufacturers' specific precautions; warnings and instructions while charging and recommended rates of charge. Never charge a battery with missing safety vent caps.
- g. Do not overcharge batteries by selecting the wrong battery type or by trying to charge a non-12 Volt battery as defined by the 12 Volt battery types specified in this manual.

**Always remove the extension cord from the outlet first when charging is completed followed by unplugging the charger, completely disconnecting.**

## Charger Location & DC Connection

### 17. CHARGER LOCATION

#### CAUTION

- a. Locate charger as far away from batteries as possible.
- b. Never place a charger directly above a battery being charged; gases or fluids from battery will corrode and damage charger.
- c. Do not operate charger in an enclosed area or in an area with restricted ventilation in any way.
- d. Never allow battery acid to drip on charger when reading electrolyte specific gravity or filling a battery.
- e. Do not set a battery on top of charger.
- f. Do not install on or over combustible surfaces.

### 18. DC CONNECTION PRECAUTIONS

#### CAUTION

- a. Connect and disconnect DC output cables only after removing AC cord from electric outlet. Never allow cables to touch each other.

## IMPORTANT NOTICE: FCC CLASS B PART 15 NOTIFICATION

Your On-Board Marine Battery Charger has been designed and tested to comply with FCC Class B part 15. These regulations are to provide adequate protection against harmful interference while operated in a commercial application. If in a residential setting, you are encountering interference with TV and radio reception, simply remove AC power from the ProMariner unit to confirm if your battery charger is causing interference. End user can explore the following to minimize interference:

- 1) Chose a different AC circuit to power your On-Board Marine Battery Charger.
- 2) Make sure your outlet is properly grounded.
- 3) Re-position receiving antenna.
- 4) Purchase a separate AC line filter.
- 5) Relocate charger so that it is at the furthest point from home receiving equipment,TV, radio, etc.



## General Overview

ProTournament*elite* Generation 3 is our most advanced, fully-automatic, digitally-controlled, multi-stage on-board marine battery charger. ProTournament*elite* is pre-wired for easy installation and is 100% waterproof for fresh and salt water applications. ProTournament*elite*'s multi-stage performance charging process delivers five modes of operation that include: start up diagnostics, charging, conditioning, auto maintain and storage auto reconditioning of each battery. This process is proven to extend the life of your batteries and will fully charge your batteries each time you connect to AC power. ProTournament*elite* delivers the fastest charge time with time saving features like TurboCharge and Power Flow Cooling\* which allows maximum charging performance with forced induction air cooling.

The ProTournament*elite*'s Distributed-On-Demand™ Technology will automatically sense and distribute 100% of the available charging output (up to 18 amps per battery) in proportion to the discharge state of each battery connected.

ProTournament*elite*'s easy to view Charge Status AC Glow Plug\* provides at a glance status of: charging, conditioning and auto maintaining fully charged batteries without having to get in the boat to see.

Included on the front of ProTournament*elite* is a dual function battery status monitor, System Check OK and Check Battery indicators providing: individual battery charge level monitor with an on-the-water push-to-test feature for percent of battery power remaining. Eliminate time consuming trouble shooting by indicating system OK or specific batteries requiring attention.

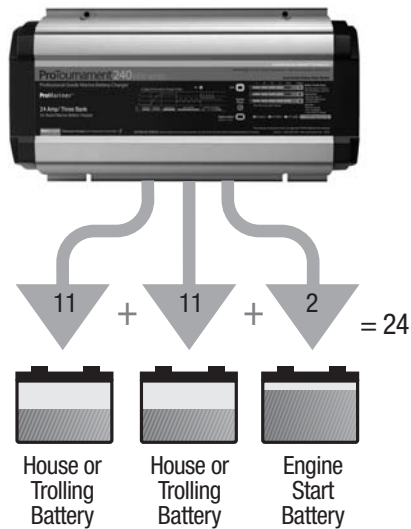
Battery profile selection and charge mode LEDs are also captured on the front user interface in an easy-to-view layout.

\*Patent Pending

*Note: The ProTournamentelite must be connected to batteries to operate. It will not operate as a 12 volt power supply.*

### How Distributed-On-Demand™ Charging Technology Works

ProTournament<sup>elite</sup>'s Distributed-On-Demand™ Charging technology ensures 100% of the available (up to 18 amps per battery) charging amps are fully utilized to meet the demand of each battery on-board. For example, if your engine start battery only needs 2 amps from your ProTournament240<sup>elite</sup>, the unused 6 amps will automatically be Distributed-On-Demand™ to your house or trolling motor batteries, providing 11 amps to each of your deep cycle batteries for faster charging.



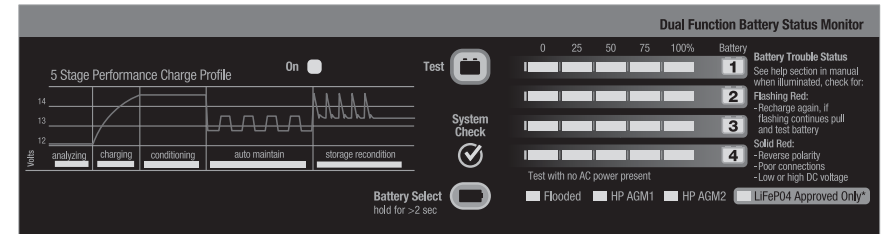
### General Operation

Install your ProTournament<sup>elite</sup> On-Board Marine Battery Charger to the guidelines in this manual. Do not alter the ProTournament<sup>elite</sup> during the installation process. Extra equipment and cable extenders are available for purchase if required.

The ProTournament<sup>elite</sup> will automatically charge and condition your batteries. Always leave your charger plugged in to reduce sulfate build-up inside the battery; this extends your batteries life by allowing the charger to automatically maintain and charge your batteries while you are away. Your batteries will always be ready for your next fishing trip!

The ProTournament<sup>elite</sup> design incorporates a Storage Recondition mode that stimulates and reconditions your on-board batteries for 3 hours once a month and when completed will resume its normal energy saver auto maintain mode. During this mode the Auto Maintain bar will illuminate green with a fade-in fade-out pulse, indicating Storage Recondition mode is active with the green Auto Maintain LED still illuminated indicating your batteries remain fully charged during this process.

### ProTournament<sup>elite</sup> LED Status Center - Operation & Display



ProTournament<sup>elite</sup> includes various LEDs for operation status and up to 5 battery bank trouble LEDs depending on the model.

- The Blue On LED**  
Illuminates when AC power is applied
- The Battery Type LED**  
Will illuminate blue for Flooded/AGM, green for AGM 1, amber for AGM2, or red for LiFePO4.
- The System Check LED**  
After applying AC power the ProTournament<sup>elite</sup> will self test and analyze all battery connections and batteries. If all checks are OK, the LED will illuminate green. This can take up to 1 minute. If the LED illuminates red, the system has detected an internal fault and shutdown.
- The Charge Mode LEDs and Charge Status AC Glow Plug**  

Analyze:	Blue LED pulses during the self test and battery test mode (approximately 1 minute). <i>Note: AC Glow Plug is off in Analyze mode</i>
Charging:	Red LED illuminates while charging.
Conditioning:	Amber LED illuminates while conditioning.
Auto Maintain:	Green LED illuminates when the batteries are fully charged and automatically maintained until you are ready to use your boat.
Auto Storage Recondition:	Green LED pulses when performing a once a month storage recondition mode.
- Dual Function Battery Status Monitor**  

Mode 1 - Charge completion status  
During this mode, when the ProTournament<sup>elite</sup> is connected to the AC power, the dual function battery status monitor will automatically display the charge level for each battery during the charge process until all batteries are fully charged.

Mode 2 - Push-to-test charge status  
During this mode, use the push-to-test button when the ProTournament<sup>elite</sup> is NOT connected to AC power to display the current charge level remaining.
- Battery Bank Trouble Status LEDs**  
Individual red LEDs will illuminate indicating a wiring problem or fault at each of the batteries connected to the ProTournament<sup>elite</sup> charger. See page 32 for further details.
- Check Fan LED (360 and 500 models)**  
ProTournament360<sup>elite</sup> and ProTournament500<sup>elite</sup> models have a fan powered cooling feature. If the fan becomes inoperable, the "Check Fan" LED indication will illuminate red. See page 32 for troubleshooting details.

### Multi-Stage Charging Overview

**Stage 1 - System Check and Battery Analyzing:** During this stage, the blue "Analyze" LED will pulse. This indicates the ProTournament<sup>elite</sup> is performing a self-test, analyzing all battery connections, and checking if each battery is capable of being charged. Upon completion, the "System Check" LED will illuminate green followed by Stage 2.

*Note: While in analyze mode, the battery type can be changed by following the steps in the "Selecting a Charging Profile" section on page 12. The charger will not leave analyze mode if a fault is detected.*

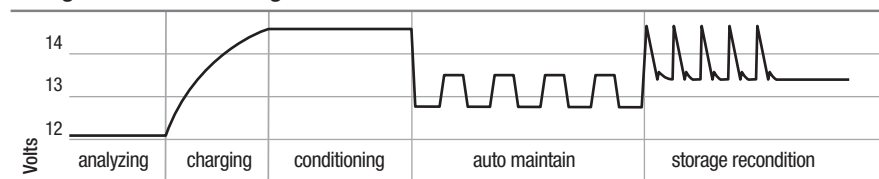
**Stage 2 - Charging:** During this mode the "Charging" indicator will be solid red. The ProTournament<sup>elite</sup> Series will use all of its available charging amps (as controlled by temperature) until the battery voltage is raised to 14.4 VDC (Flooded/AGM factory setting).

**Stage 3 - Conditioning:** During this mode the "Conditioning" indicator will be amber. Batteries will hold at 14.4 VDC (factory set for Flooded/AGM batteries) to complete charging while conditioning each battery connected. Upon completion the ProTournament<sup>elite</sup> will go into Auto Maintain mode.

**Stage 4 - Auto Maintain (Energy Saver Mode):** During this mode the green "Auto Maintain" LED's will be on indicating Stage 2 charging and Stage 3 conditioning are completed. At this time the ProTournament<sup>elite</sup> will initiate its Auto Maintain (Energy Saver Mode) which will monitor and Auto Maintain batteries only when needed to maintain a full state of charge.

**Stage 5 - Auto Storage Recondition Mode:** During this mode the green "Auto Recondition Mode" green indicator will illuminate with a slow fade in and out pulse. This indicates that while your batteries/boat are in storage the ProTournament<sup>elite</sup> will automatically recondition all batteries for up to 3 hours once a month extending battery life and maximizing on the water battery power performance.

#### 5 Stage Performance Charge Profile



### Understanding Battery Types & Charger Settings

There are three primary types of batteries in the marketplace today; standard Flooded (Lead-Acid), AGM (Absorbed Glass Mat)/high performance AGM, and Gel cell (Gelled Electrolyte Lead-Acid). Traditionally, the most common type of batteries used are Flooded (Lead-Acid) batteries. In addition to the 3 lead acid batteries, lithium batteries are becoming readily available as lead acid battery replacements. Almost all Gel cell batteries will state that they are Gel cell on the battery case or labels. Shown below are typical battery voltages at absorption and float levels.

LED	Battery Type	Charging Profile
Blue	Standard Flooded/ AGM	14.45 VDC Absorption 13.4 VDC Float
Green	HP AGM 1	14.65 VDC Absorption 13.6 VDC Float
Amber	HP AGM 2	14.55 VDC Absorption 13.5 VDC Float
Red	LiFePO4*	14.2 VDC Absorption 13.6 VDC Float

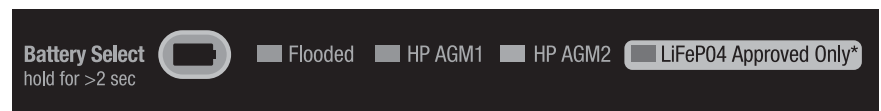
\*For use with approved lithium batteries only. See page 12 or visit <https://www.promariner.com/Li> for a list of approved batteries.

### Understanding Battery Types & Charger Settings Continued

*NOTE: AGM (Absorbed Glass Mat) batteries are not Gel (Gelled Electrolyte Lead-Acid) batteries. Gel batteries require a completely different charge profile that must be selected versus the out of the box factory setting. AGM batteries can accept the same charging profile as Flooded (Lead-acid) batteries.*

*Note: In LiFePO4 mode, the DC terminals are powered when AC is present.*

*Note: If you are still unsure what kind of battery(s) you have, we recommend that you contact the manufacturer of the battery(s).*



### Selecting a Charging Profile

Your battery charger is equipped with a user programmable battery type selector that is factory set for standard Flooded (Lead-Acid) batteries.

- ⚠ CAUTION:** Connect the charger to the battery before applying AC Power.
- ⚠ CAUTION:** Remove AC power before disconnecting the charger from the battery.

To select a different battery profile, use the following steps:

1. Power on the charger.
2. Press and hold the select button for more than 2 seconds to enter battery type select.
  - Note: You can only enter battery type selection in analyze mode (Pulsing blue "Analyze" LED)*
3. Press and release the select button to cycle through battery types.
4. Press and hold the select button for more than 2 seconds to set the battery type.

### Approved Lithium Batteries

- Mastervolt MLI 1250
- Tracker WRM60, WRM80, WRM100, TLi60, TLi80, TLi100
- RELiON RB60, RB75, RB80, RB100, RB100-HP, RB100-LT
- Battle Born BB10012



**To see a complete and up-to-date list of approved lithium batteries, please visit <https://www.promariner.com/Li>**

### TurboCharge (360 and 500 models)

#### TurboCharge



#### Turbo Charge Mode

The ProTournament<sup>elite</sup> comes with a TurboCharge button. To use this function, simply press the TurboCharge button once the unit is in charge mode and the fan will turn to full speed to keep the charger cool and maximize the current output.



### CZone (Global models only)

#### Com ID Selection (For Global AC Input Models Only)

Your battery charger is equipped with a CZone/NMEA2000® communication interface. If you are using **more than one** ProTournament<sup>elite</sup> to charge your system **in the same CZone/NMEA2000® network**, the Com ID must be set to be different for each ProTournament<sup>elite</sup> charger. If you are using **only one** ProTournament<sup>elite</sup>, you **do not** need to change the Com ID.

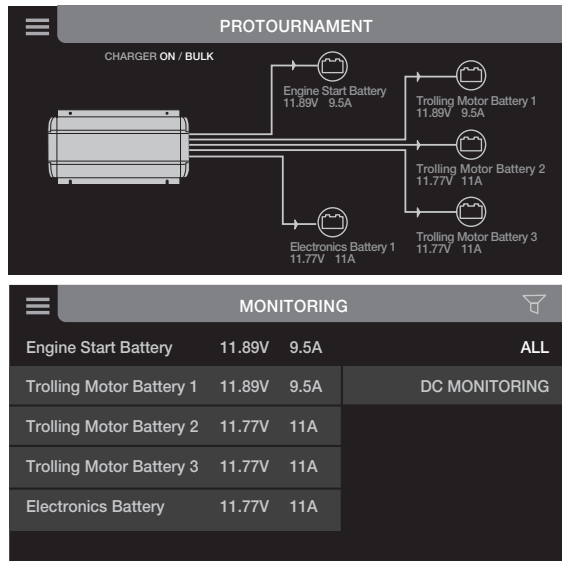
To set the Com ID, follow the 3 steps below:

1. Press and hold the com button for 3 seconds and release. The comm ID number and LED will be blinking indicating that the Com ID can be set.
2. Press the com button to change the selected Com ID. Repeat the button press until the desired Com ID is selected.
3. Press and hold the com button for 3 seconds to save the selected Com ID in the charger.

Comm LEDs	Comm ID	Comm LEDs	Comm ID
1	1	5	5
2	2	1 + 5	6
3	3	2 + 5	7
4	4	3 + 5	8

#### CZone Communication

The CZone interface communicates battery chemistry, charge mode, real time charging voltage, amperage and fault status. See examples below:



Note: The CZone interface reports the chargers voltages and currents.

For a complete communication list, please visit [www.promariner.com/ProTournament-Elite-3-Global](http://www.promariner.com/ProTournament-Elite-3-Global) See CZone configuration tool manual for setup.

### Installation

All ProTournament<sup>elite</sup> Battery Chargers are designed to be permanently mounted on-board, and should be mounted with extruded fins placed horizontally.

Always mount your ProTournament<sup>elite</sup> in a compartment area that can be properly ventilated during use.

Do NOT mix battery types on-board. All batteries should be of the same age and in good operating condition.

Do NOT make any electrical connections to the ProTournament<sup>elite</sup> or batteries until the following steps are completed:

#### 10 Easy to Follow Installation Steps:

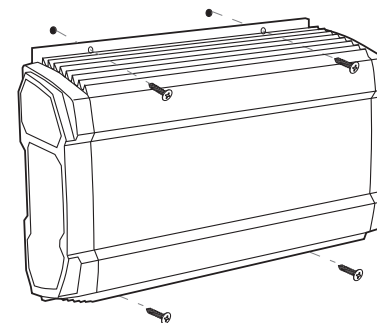
1. Select a mounting location that allows for free air ventilation with a minimum of 8 inches of clear unobstructed space around and in front of the battery charger. Open all battery and engine compartments and ventilate for at least 15 minutes before starting the installation of the charger. Confirm all battery cables can reach each of the batteries.

Do not install charger on carpeted, upholstered, vinyl, or varnished areas. Be sure to place the ProTournament<sup>elite</sup> in an accessible area where all indicators are viewable. Install this unit on a hard surface.

Note: For installations requiring an extension of the DC battery charger cables, please call or visit your retailer or dealer to purchase ProMariner's 5 foot or 15 foot battery charger DC cable extenders. Our innovative cable extenders are properly fused and do not require any cutting or stripping of wires. If you have any problems locating this accessory call ProMariner at 1-800-824-0524.

2. Using the ProTournament<sup>elite</sup> or the enclosed paper template, mark the position of each mounting hole. Ensure the mounting screws will not puncture or protrude into a live well, a fuel or oil tank or the bottom of the boat.
3. Using a 1/8" drill bit, drill pilot holes in the (4) marked locations as described in step 2. Apply a silicon sealer in each of the mounting locations to waterproof the screw holes.
4. Position the charger over the mounting holes and secure with a power screwdriver by installing 4 stainless steel #10 screws. (mounting screws included).

For aluminum boat installation we recommend installing your ProTournament<sup>elite</sup> Charger on a wood or fiberglass panel and not directly on the aluminum hull.



1/8" pilot hole w/ silicon sealer

#### IMPORTANT NOTICE

- Maintain an obstruction-free area of 6 inches around the product.
- Prior to mounting, confirm mounting surface has adequate strength and thickness.
- Check for electrical or fuel lines on or behind surface.
- Consult boat manufacturer for suggested mounting location or procedure.

## Installation Continued

5. Prepare each battery in advance by cleaning each terminal post with a wire brush until a shiny surface is obtained.

6. Run cables free from sharp objects and hold each in place with cable ties. Coil excess cable, do not cut or shorten the length of the cables, as in-line fuses are located 4 inches from the end of each positive (red) cable. These fuses protect the charger and output cables in the event of a wiring short. We recommend the use of wire ties or cable clamps to provide strain relief for the cables and to reduce the risk of damage to the cables or connections.

7. Connect the DC output cables as illustrated on pages 17-29. Make sure the (black) wires are connected as illustrated to the negative side of the battery and the (red) wires are connected to the positive side of the battery.

**⚠ CAUTION:** Connect the charger to the battery before applying AC Power.

*Important Note: Your ProTournamentelite charger will not operate properly if it is not correctly connected to your batteries. Reminder: Each DC jacketed bank cable must be connected to a 12V battery. If there are more charger outputs than batteries, then sets of leads can be doubled on the larger battery in your system. Example: A 3 bank ProTournamentelite should be connected to three 12V batteries, but can be connected to as few as two, provided all the charger leads are connected and the 2 banks are connected to the highest capacity battery. Select the applicable wiring illustration on pages 17-29.*

8. Make sure all DC connections are correct, tight, and free from corrosion.

9. Locate the AC power cord in an open-air area of your boat at least 21 inches from the charger, batteries, and fuel fill lines.

10. Connect a heavy duty UL approved extension cord to the battery charger first. **After connecting the extension cord to the charger, proceed to plug the extension cord to a nearby GFCI protected (Ground Fault Circuit Interrupt) outlet.** Always remove the extension cord from the outlet first when charging is completed, followed by unplugging the charger. You are now connected and charging your batteries. View the LED indicators.

## Installation Continued

### Wiring your ProTournamentelite Charger Correctly

Simply choose the illustration that has the same number of charger output bank cables as your ProTournamentelite Battery Charger in hand and wire exactly as shown (choose the illustration that best matches your application) for proper charger operation.

Incorrect wiring can result in reverse polarity, caused by putting the "red" + lead on a negative battery terminal and the "black" - lead on the positive terminal. In the event this happens, the ProTournamentelite Battery Charger has been designed to not fail as a result; however, it will cause the charger to "internally disconnect" and provide "no output" until the reverse polarity is corrected. In the event of miswired battery(s), the charger will illuminate a red battery trouble status LED for the specific battery requiring attention.

### Installation

When connecting each jacketed battery charger cable, make sure it is connected to only **one 12 VDC battery** and observe the polarity and color of all connections:

Red Wire = + (Positive) Battery connection

Black Wire = - (Negative) Battery connection

The black wire can never be connected to a terminal with red wires. Only black.

**Important: The pair of red and black wires in 1 cable jacket MUST GO TO THE SAME 12VDC battery.**



WHEN CONNECTING TO AN ENGINE START BATTERY only connect the battery bank cable that is LABELED: "FOR ENGINE BATTERY USE THIS BANK CABLE ONLY".

### Application Tip

If your application is for 4D or 8D large capacity batteries, please refer to ProMariner's website [www.promariner.com](http://www.promariner.com) and view our ProNauticP Hardwired Charger Assortment for a model that is correct for this group size of batteries.

If there are more charger outputs than batteries, then sets of leads can be doubled on the larger battery(s) in your system. Typically these are connected to the more drained trolling motor battery. Please contact ProMariner if you require assistance.



*Note: ProTournamentelite Waterproof Marine Battery Chargers are designed for any combination of group 24, 27, 29, 30 and 31 or equivalent batteries. Each DC output cable must be connected to one (1) 12 Volt DC battery (even if batteries are configured for 24, 36, or 48 VDC trolling motor or system applications). Most specifically you do not have to remove series or parallel jumper cables to use your ProTournamentelite Charger. See typical wiring diagrams for these systems in the installation section of this manual.*

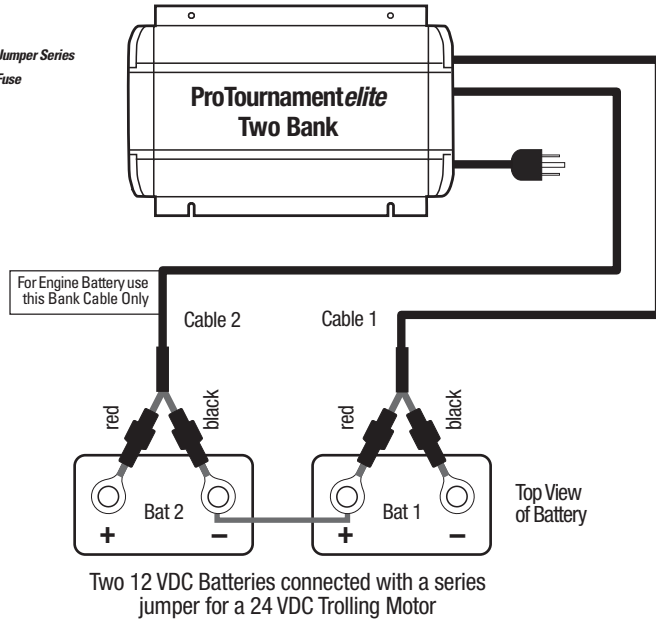
*Note: The ProTournamentelite must be connected to batteries to operate. It will not operate as a 12 volt power supply.*

Typical Wiring

**Fig. 1 ProTournamentelite Two Bank for 2 12V Batteries**

Dedicated 24 VDC Trolling Motor Battery Configuration with (2) 12 VDC Batteries Connected with a Series Jumper

Note:  
 Indicates Jumper Series  
 Indicates Fuse



Installation

When connecting each jacketed battery charger cable, make sure it is connected to only **one 12 VDC battery** and observe the polarity and color of all connections:

Red Wire = + (Positive) Battery connection

Black Wire = - (Negative) Battery connection

The black wire can never be connected to a terminal with red wires. Only black.

**Important: The pair of red and black wires in 1 cable jacket MUST GO TO THE SAME 12VDC battery.**



Note 1: One bank cable connects to no more than one battery

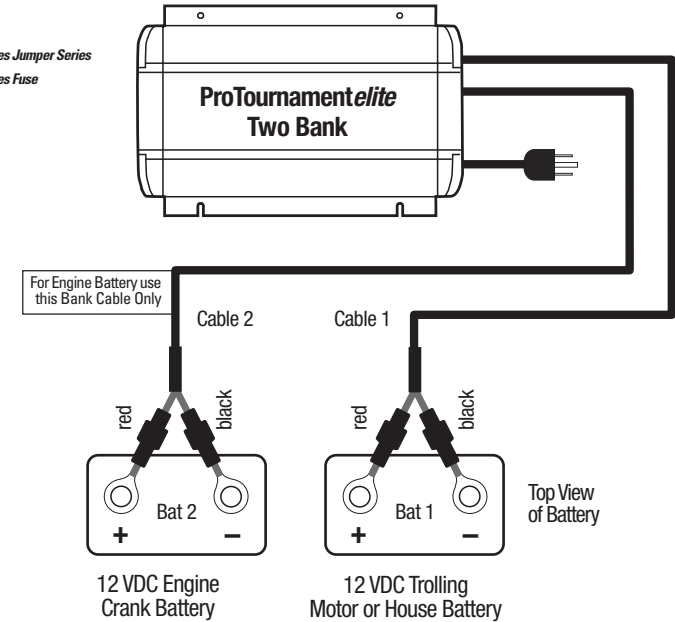
Note 2: ProTournamentelite is designed to be used with group 24, 27, 29, 30 and 31 batteries

Typical Wiring

**Fig. 2 ProTournamentelite Two Bank for 2 12V Batteries**

12 VDC Engine Start and a 12 VDC Trolling Motor or House Battery Configuration with (2) 12 VDC Batteries

Note:  
 Indicates Jumper Series  
 Indicates Fuse



Installation

When connecting each jacketed battery charger cable, make sure it is connected to only **one 12 VDC battery** and observe the polarity and color of all connections:

Red Wire = + (Positive) Battery connection

Black Wire = - (Negative) Battery connection

The black wire can never be connected to a terminal with red wires. Only black.

**Important: The pair of red and black wires in 1 cable jacket MUST GO TO THE SAME 12VDC battery.**

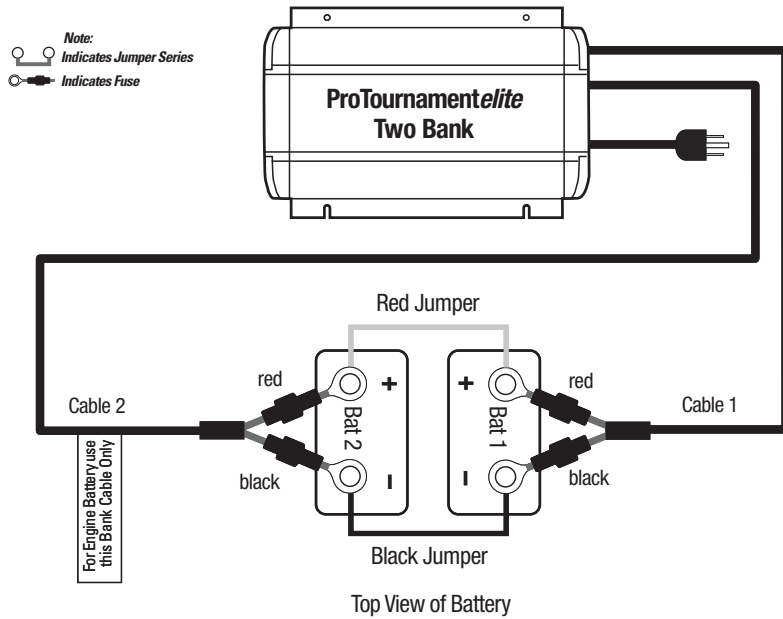
Note 1: One bank cable connects to no more than one battery

Note 2: ProTournamentelite is designed to be used with group 24, 27, 29, 30 and 31 batteries

Typical Wiring

**Fig. 3 ProTournamentelite Two Bank for 2 12V Batteries in Parallel**

Dedicated 12 VDC Parallel Trolling Motor or House Configuration



Installation

When connecting each jacketed battery charger cable, make sure it is connected to only **one 12 VDC battery** and observe the polarity and color of all connections:

Red Wire = + (Positive) Battery connection

Black Wire = - (Negative) Battery connection

The black wire can never be connected to a terminal with red wires. Only black.

**Important: The pair of red and black wires in 1 cable jacket MUST GO TO THE SAME 12VDC battery.**

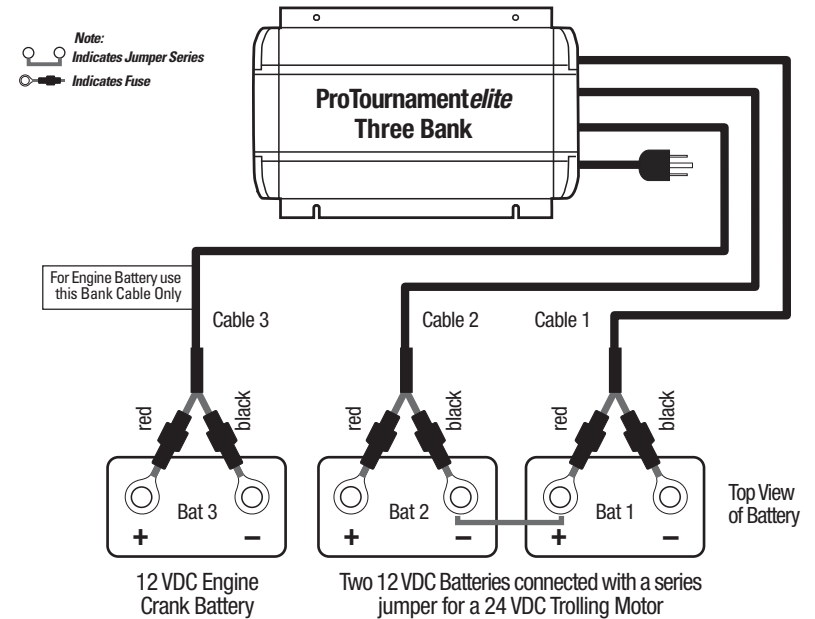
Note 1: One bank cable connects to no more than one battery

Note 2: ProTournamentelite is designed to be used with group 24, 27, 29, 30 and 31 batteries

Typical Wiring

**Fig. 4 ProTournament240elite Three Bank for 3 12V Batteries**

24 VDC Trolling Motor or House Battery Configuration with (2) 12 VDC Batteries Connected with a Series Jumper Plus Dedicated 12 VDC Engine Start Battery



Installation

When connecting each jacketed battery charger cable, make sure it is connected to only **one 12 VDC battery** and observe the polarity and color of all connections:

Red Wire = + (Positive) Battery connection

Black Wire = - (Negative) Battery connection

The black wire can never be connected to a terminal with red wires. Only black.

**Important: The pair of red and black wires in 1 cable jacket MUST GO TO THE SAME 12VDC battery.**

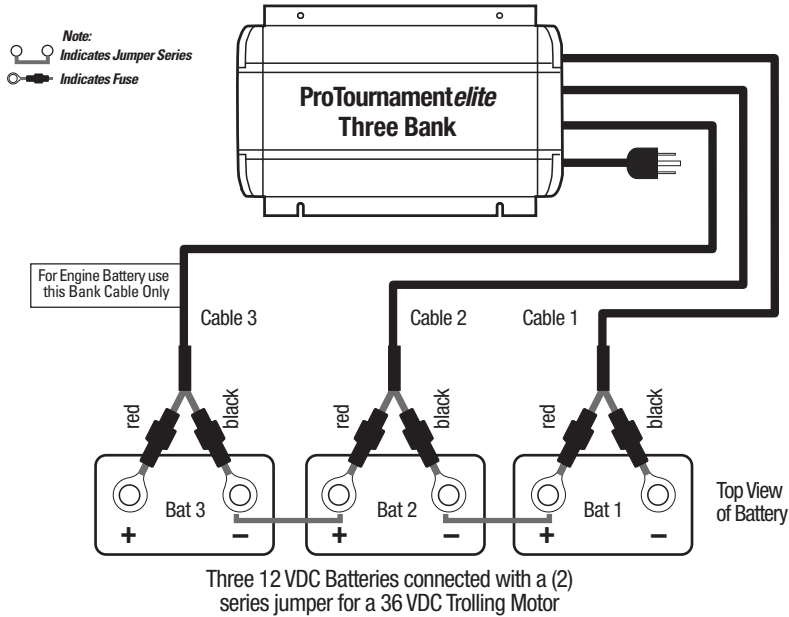
Note 1: One bank cable connects to no more than one battery

Note 2: ProTournamentelite is designed to be used with group 24, 27, 29, 30 and 31 batteries

Typical Wiring

**Fig. 5 ProTournamentelite Three Bank for 3 12V Batteries**

Dedicated 36 VDC Trolling Motor Battery Configuration with (3) 12 VDC Batteries Connected with (2) Series Jumpers



Installation

When connecting each jacketed battery charger cable, make sure it is connected to only **one 12 VDC battery** and observe the polarity and color of all connections:

Red Wire = + (Positive) Battery connection

Black Wire = - (Negative) Battery connection

The black wire can never be connected to a terminal with red wires. Only black.

**Important: The pair of red and black wires in 1 cable jacket MUST GO TO THE SAME 12VDC battery.**

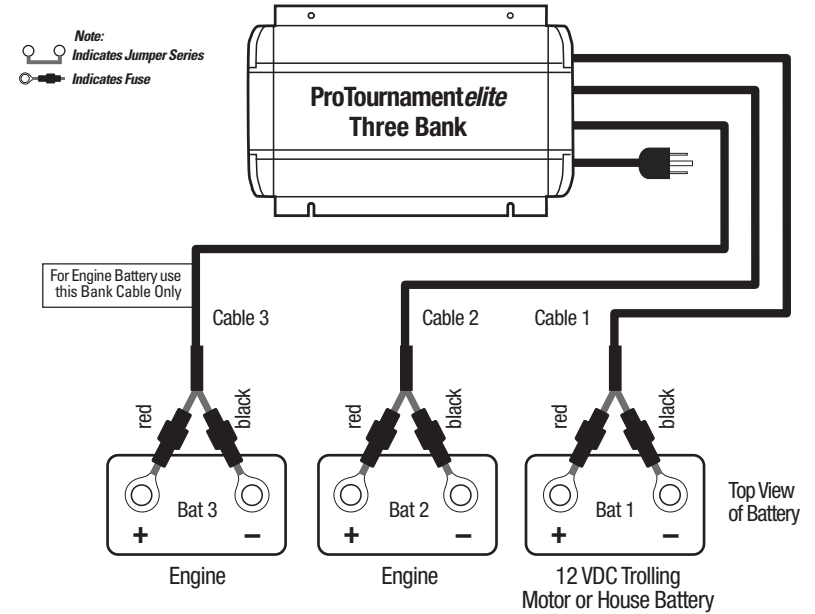
Note 1: One bank cable connects to no more than one battery

Note 2: ProTournamentelite is designed to be used with group 24, 27, 29, 30 and 31 batteries

Typical Wiring

**Fig. 6 ProTournamentelite Three Bank for 3 12V Batteries**

Dedicated 12 VDC Trolling/House Bank and 2 Engine Crank Batteries Typical Configuration



Installation

When connecting each jacketed battery charger cable, make sure it is connected to only **one 12 VDC battery** and observe the polarity and color of all connections:

Red Wire = + (Positive) Battery connection

Black Wire = - (Negative) Battery connection

The black wire can never be connected to a terminal with red wires. Only black.

**Important: The pair of red and black wires in 1 cable jacket MUST GO TO THE SAME 12VDC battery.**

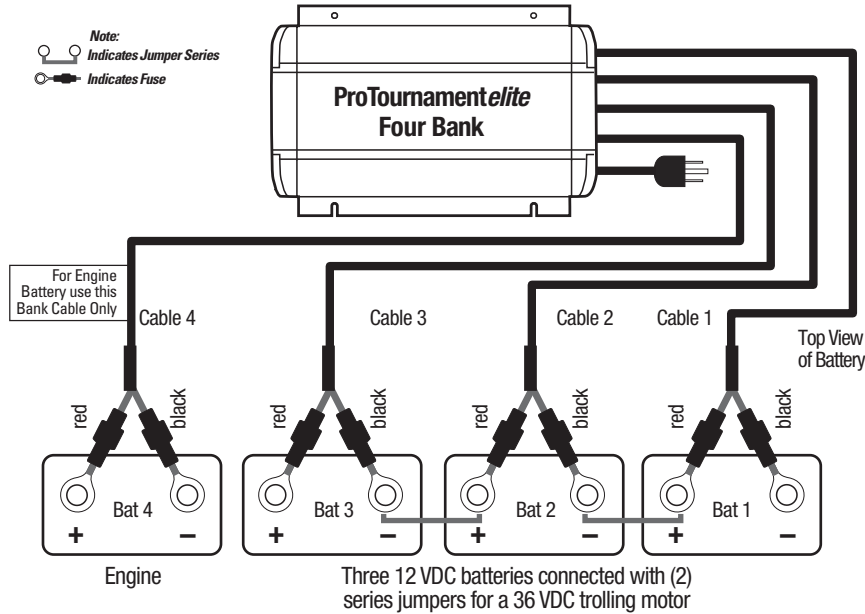
Note 1: One bank cable connects to no more than one battery

Note 2: ProTournamentelite is designed to be used with group 24, 27, 29, 30 and 31 batteries

Typical Wiring

**Fig. 7 ProTournamentelite Four Bank for 4 12V Batteries**

36 VDC Trolling Motor Battery Configuration with (3) 12 VDC Batteries Connected with (2) Series Jumpers plus Dedicated 12 VDC Engine Start Battery



Installation

When connecting each jacketed battery charger cable, make sure it is connected to only **one 12 VDC battery** and observe the polarity and color of all connections:

Red Wire = + (Positive) Battery connection

Black Wire = - (Negative) Battery connection

The black wire can never be connected to a terminal with red wires. Only black.

**Important: The pair of red and black wires in 1 cable jacket MUST GO TO THE SAME 12VDC battery.**

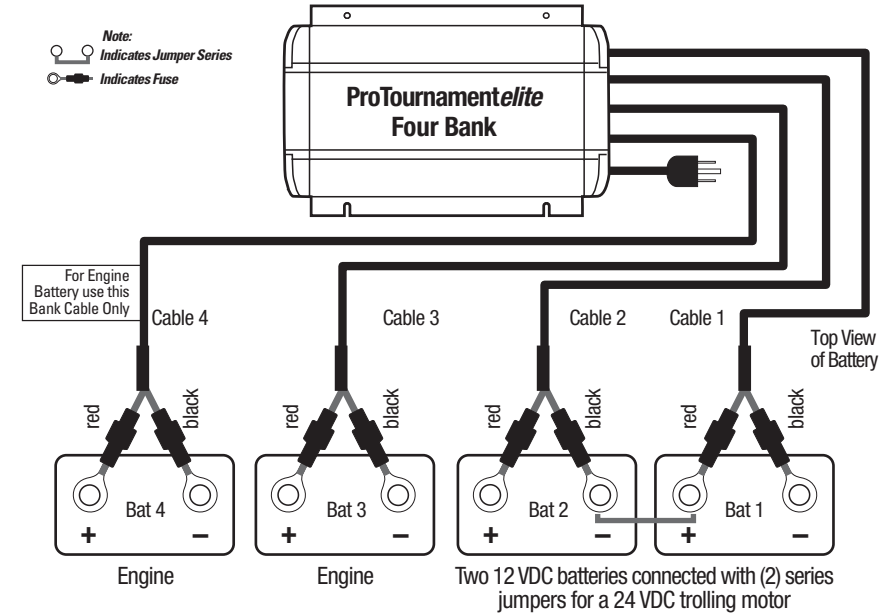
Note 1: One bank cable connects to no more than one battery

Note 2: ProTournamentelite is designed to be used with group 24, 27, 29, 30 and 31 batteries

Typical Wiring

**Fig. 8 ProTournamentelite Four Bank for 4 12V Batteries**

Dedicated 24 VDC Trolling/House Bank and 2 Engine Crank Batteries Typical Configuration



Installation

When connecting each jacketed battery charger cable, make sure it is connected to only **one 12 VDC battery** and observe the polarity and color of all connections:

Red Wire = + (Positive) Battery connection

Black Wire = - (Negative) Battery connection

The black wire can never be connected to a terminal with red wires. Only black.

**Important: The pair of red and black wires in 1 cable jacket MUST GO TO THE SAME 12VDC battery.**

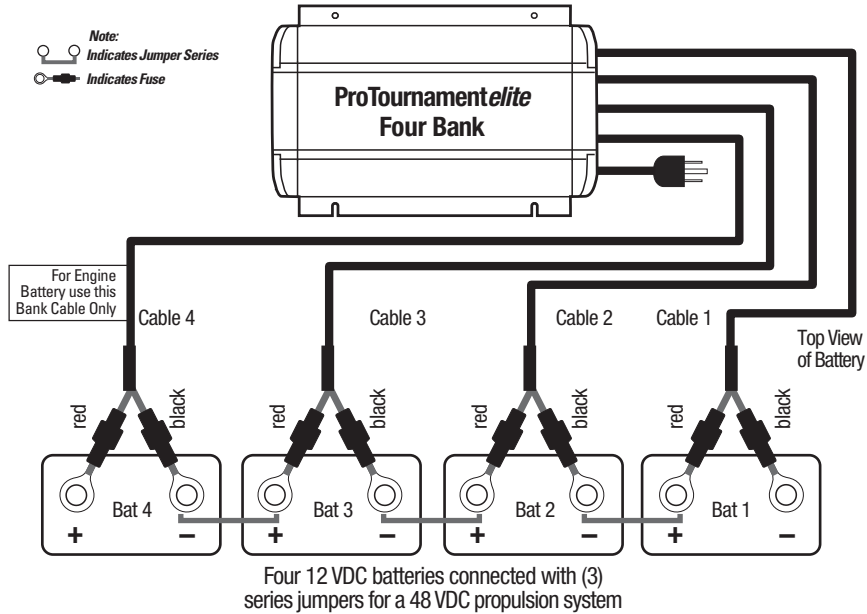
Note 1: One bank cable connects to no more than one battery

Note 2: ProTournamentelite is designed to be used with group 24, 27, 29, 30 and 31 batteries

Typical Wiring

**Fig. 9 ProTournamentelite Four Bank for 4 12V Batteries**

Dedicated 48 VDC Propulsion System Battery Configuration with (4) 12 VDC Batteries Connected with (3) Series Jumpers



**Installation**

When connecting each jacketed battery charger cable, make sure it is connected to only **one 12 VDC battery** and observe the polarity and color of all connections:

- Red Wire = + (Positive) Battery connection
- Black Wire = - (Negative) Battery connection

The black wire can never be connected to a terminal with red wires. Only black.

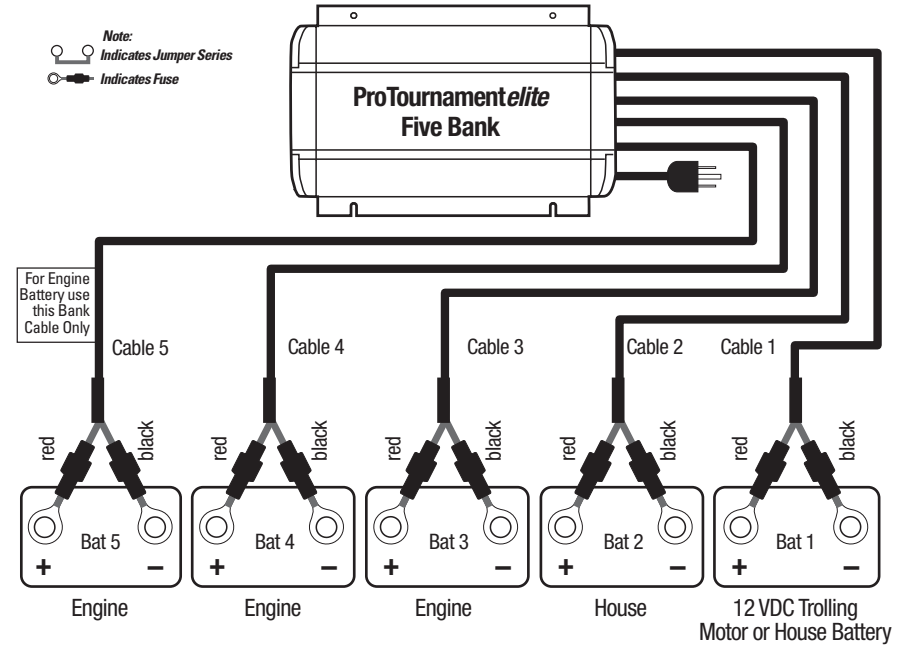
**Important: The pair of red and black wires in 1 cable jacket MUST GO TO THE SAME 12VDC battery.**

Note 1: One bank cable connects to no more than one battery  
 Note 2: ProTournamentelite is designed to be used with group 24, 27, 29, 30 and 31 batteries

Typical Wiring

**Fig. 10 ProTournamentelite Five Bank for 5 12V Batteries**

Dedicated 12 VDC Batteries for House/Trolling Motors and Engines



**Installation**

When connecting each jacketed battery charger cable, make sure it is connected to only **one 12 VDC battery** and observe the polarity and color of all connections:

- Red Wire = + (Positive) Battery connection
- Black Wire = - (Negative) Battery connection

The black wire can never be connected to a terminal with red wires. Only black.

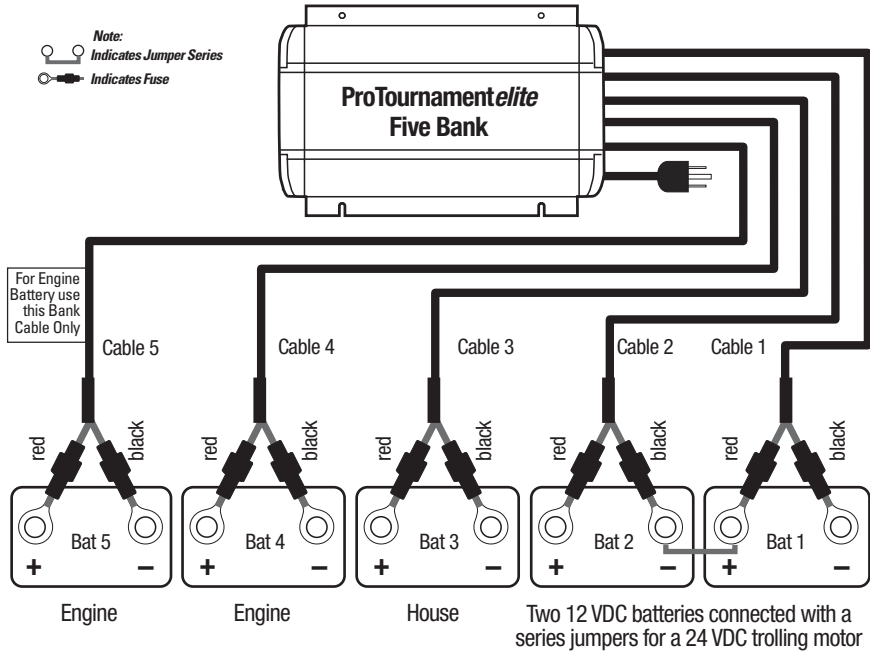
**Important: The pair of red and black wires in 1 cable jacket MUST GO TO THE SAME 12VDC battery.**

Note 1: One bank cable connects to no more than one battery  
 Note 2: ProTournamentelite is designed to be used with group 24, 27, 29, 30 and 31 batteries

Typical Wiring

**Fig. 11 ProTournamentelite Five Bank for 5 12V Batteries**

Dedicated 24 VDC Trolling Motor Batter with Two 12VDC Engine Crank Batteries and One 12 VDC House Battery



Installation

When connecting each jacketed battery charger cable, make sure it is connected to only **one 12 VDC battery** and observe the polarity and color of all connections:

- Red Wire = + (Positive) Battery connection
- Black Wire = - (Negative) Battery connection

The black wire can never be connected to a terminal with red wires. Only black.

**Important: The pair of red and black wires in 1 cable jacket MUST GO TO THE SAME 12VDC battery.**

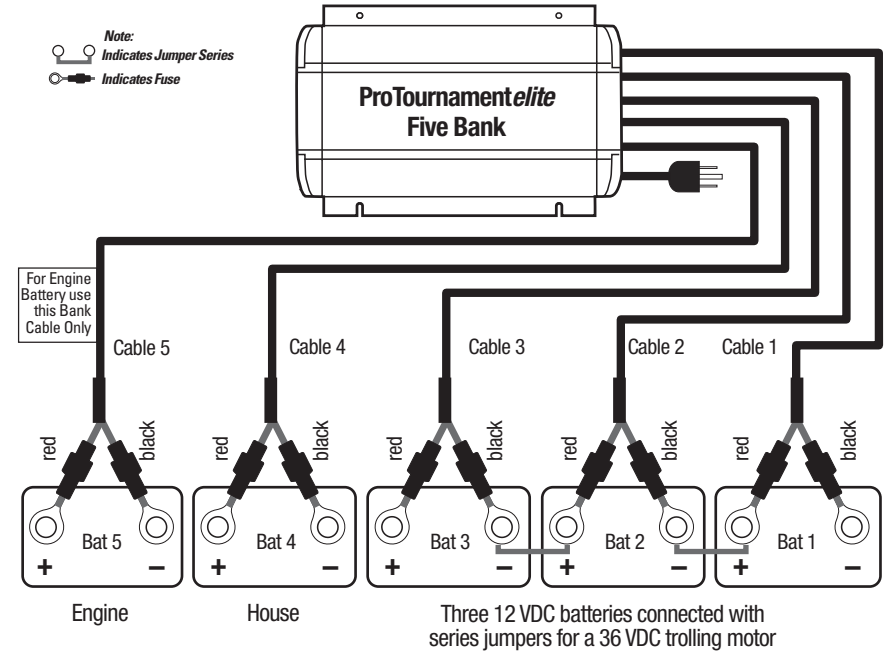
Note 1: One bank cable connects to no more than one battery

Note 2: ProTournamentelite is designed to be used with group 24, 27, 29, 30 and 31 batteries

Typical Wiring

**Fig. 12 ProTournamentelite Five Bank for 5 12V Batteries**

Dedicated 36 VDC Trolling Motor Battery with 12VDC Engine Crank and House Battery



Installation

When connecting each jacketed battery charger cable, make sure it is connected to only **one 12 VDC battery** and observe the polarity and color of all connections:

- Red Wire = + (Positive) Battery connection
- Black Wire = - (Negative) Battery connection

The black wire can never be connected to a terminal with red wires. Only black.

**Important: The pair of red and black wires in 1 cable jacket MUST GO TO THE SAME 12VDC battery.**

Note 1: One bank cable connects to no more than one battery

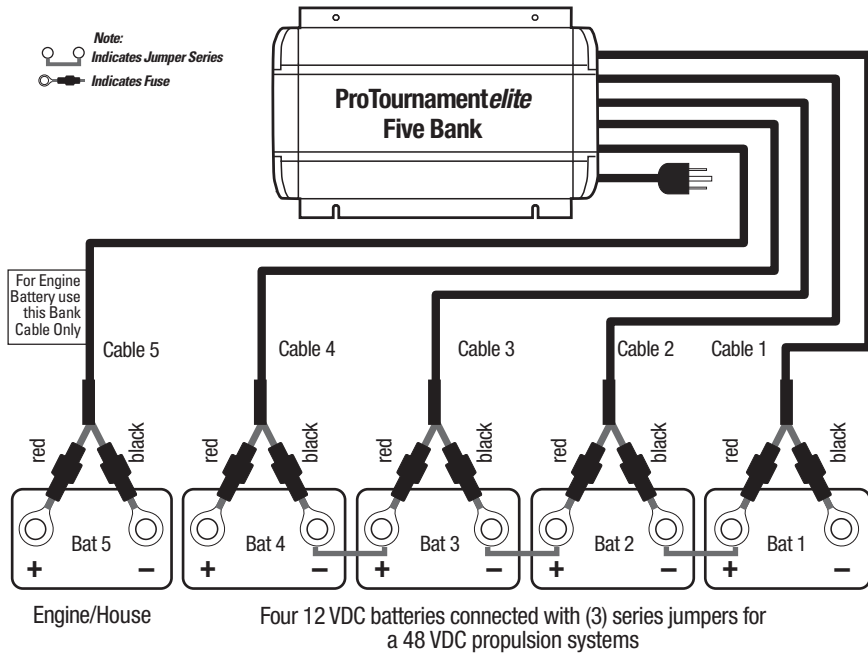
Note 2: ProTournamentelite is designed to be used with group 24, 27, 29, 30 and 31 batteries



Typical Wiring

**Fig. 13 ProTournamentelite Five Bank for 5 12V Batteries**

Dedicated 48 VDC Propulsion System Battery Configuration with One 12 VDC Engine Crank or House Battery



Installation

When connecting each jacketed battery charger cable, make sure it is connected to only **one 12 VDC battery** and observe the polarity and color of all connections:

Red Wire = + (Positive) Battery connection

Black Wire = - (Negative) Battery connection

The black wire can never be connected to a terminal with red wires. Only black.

**Important: The pair of red and black wires in 1 cable jacket MUST GO TO THE SAME 12VDC battery.**

Note 1: One bank cable connects to no more than one battery

Note 2: ProTournamentelite is designed to be used with group 24, 27, 29, 30 and 31 batteries

Charging your Batteries

The ProTournamentelite is designed to charge, condition, and auto maintain your batteries during short or long term periods of storage or non use. Please follow these steps each time you use your ProTournamentelite Battery Charger:

1. Read manual and all warnings.
2. Review "Preparing to Charge a Battery" on page 6.
3. Ensure charger is installed as per the installation instructions.
4. Connect a heavy duty UL approved extension cord to the ProTournamentelite Battery Charger first. After connecting the extension cord to the charger, proceed to plug the extension cord to a nearby GFCI protected outlet. Anytime power is applied to the ProTournamentelite the blue LED will illuminate.
5. The "Analyze" LED will pulse blue indicating the charger is in Analyze mode. While the charger is analyzing your batteries, check that you have the correct battery profile selected. **This mode takes approximately 1 minute for the ProTournamentelite to do a self test, check all wiring connections, and make sure the batteries are greater than 2.5 Volts DC and are able to take a charge.**

**Assuming there are no battery faults, the green "System Check OK" LED will illuminate and the following charger operation sequences will proceed:**

Note: If there is a bad connection, reverse polarity, or a battery that is below 2.5 VDC that can not accept a charge, then a RED Battery Trouble status LED will illuminate for the battery that requires attention. See page 32 for further troubleshooting details.

6. The "Charging" LED will be solid red indicating the charger has entered the Charging stage as outlined in the Multi-Stage Charging Overview section of this manual.

**CAUTION: HOT SURFACE.** Avoid contact during charging operation as unit will be hot to the touch but operating safely and properly.

7. The "Conditioning" LED will be solid amber indicating that the ProTournamentelite will hold all batteries at the selected absorption voltage to complete charging by conditioning each battery for up to 3 hours as needed.

8. When the charge process is complete (or if your batteries are fully charged when you apply AC power) the "Auto Maintain" LED will be solid green indicating your batteries are fully charged and the charger is in auto maintain mode.

Optional ProTournamentelite Charge Status Remote

See your local dealer or retailer for the ProTournamentelite Charge Status Remote. The tri-color remote indicator is easy to install to the twist lock quick connector cable pre-wired on ProTournamentelite Chargers. The innovative design has an LED indication of charge status as well as an illuminated halo corresponding to the current charge mode (red for charge, amber for conditioning and green for ready)



**Owner's Periodic Maintenance Guide**

<b>Item:</b>	<b>Battery Connections</b>
<b>Process:</b>	Clean and tighten all battery connections. Follow battery manufacturer's instructions for cleaning a battery. Clean all battery terminals with a wire brush where required and tighten all battery connections.
<b>When:</b>	Monthly
<b>Item:</b>	<b>Battery Electrolyte</b>
<b>Process:</b>	Per battery manufacturer's instructions, monitor, and maintain proper levels of distilled water in each battery.
<b>When:</b>	Monthly / Before and after each trip or extensive use of batteries.
<b>Item:</b>	<b>DC Output Wiring</b>
<b>Process:</b>	Visually inspect all wiring for cuts and abrasions. Contact ProMariner if your ProTournament <sup>elite</sup> On-Board Marine Battery Charger needs to be serviced.
<b>When:</b>	Monthly
<b>Item:</b>	<b>AC Power Cord</b>
<b>Process:</b>	Visually inspect the AC power cord. Confirm ground blade is present and all plug blades are in good condition and not bent out of place.
<b>When:</b>	Monthly
<b>Item:</b>	<b>Mounting Hardware Inspection</b>
<b>Process:</b>	Check all mounting hardware to ensure there is no loose hardware. Tighten where required.
<b>When:</b>	Monthly

**Troubleshooting**

**No LEDs turn on when Plugged in.**

1. Check for AC power
  - a. Check AC power quality by using a lamp or similar appliance to verify:
    - i. The GFCI has not tripped.
    - ii. The extension cord is of good quality with good connections.
2. If AC power quality is verified with a lamp or similar appliance and LEDs do not illuminate, contact ProMariner.

**System Check is Red**

Your system has detected an internal problem and shutdown.

1. Contact ProMariner for assistance.

**Red Fault LED is ON**

1. Identify the bank LED that is on.
2. Check for the following on the corresponding bank for:
  - a. Clean and tight connections.
  - b. Blown fuses.
    - i. Visually inspect fuses or test with multimeter.
  - c. Reverse Polarity.
    - i. Verify that the red lead is connected to the positive terminal and the black lead is connected to the negative terminal.
  - d. Leads are across more than one 12 volt battery.
    - i. Verify leads are connected to only one 12V battery.
  - e. Low battery voltage
    - i. Verify the battery voltage is above 2.5 volts DC.
3. If none of the above situations are found and the Red Fault LED is still on, contact ProMariner.

**Check Fan LED is ON after Self-test**

1. Disconnect the charger from AC Power.
2. Clear the fan of any obstructions or blockages.
3. If there is no obstruction, contact ProMariner.

**Charger is in Auto-maintain & Red Fault LED is Pulsing**

Your battery did not complete charging during a normal charge cycle.

1. Power off your charger
2. Allow batteries to rest for 1 hour
3. Power on your charger.
4. If the fault occurs again, have your battery tested.
5. If your battery is good, the charger may be undersized for your battery, contact ProMariner.

Contact ProMariner at 1-800-824-0524 from 8:30am to 5pm Eastern, by email at support@promariner.com, or visit us on the web at www.promariner.com

### **ProTournament<sup>elite</sup> Marine Battery Charger Warranty**

We are committed to customer satisfaction and value your business. If at any time during the warranty period you experience a problem with your new ProTournament<sup>elite</sup> Marine Battery Charger, simply call us at 1-800-824-0524 between 8:30am-5pm (EST) Monday through Friday, for technical support or email [info@promariner.com](mailto:info@promariner.com)

WARRANTY CARD CAN BE REGISTERED AT [WWW.PROMARINER.COM](http://WWW.PROMARINER.COM) or the warranty card included in this manual can be completed and sent to ProMariner by mail.

### **PROMARINER PROTOURNAMENT ELITE ON-BOARD MARINE BATTERY CHARGER LIMITED FIVE-YEAR FACTORY WARRANTY**

Each ProTournament<sup>elite</sup> Marine Battery Charger model is guaranteed against defects in material and workmanship to the original consumer in normal use for 5 years from the date of purchase. ProMariner will at its discretion repair or replace free of charge any defects in material or workmanship.

The following conditions apply:

- Warranty and repair adjustment calculated from manufacture date if not registered or proof of purchase within two weeks of sale.
- Warranty void if unauthorized repairs attempted
- Warranty void if any cables are cut or modified
- Deep water damage not covered under warranty
- Customer is responsible for shipping return unit to the ProMariner factory service center listed below.
- Cosmetic repairs are done at the owner's request and expense.

Purchase or other acceptance of the product shall be on the condition and agreement that ProMariner SHALL NOT BE LIABLE FOR INCIDENTAL OR CONSEQUENTIAL DAMAGES OF ANY KIND. (Some states do not allow the exclusion or limitation of incidental or consequential damages, so the above limitations may not apply to you.) This warranty is made in lieu of all other obligations or liabilities on the part of ProMariner. ProMariner neither assumes nor authorizes any person for any obligation or liability in connection with the sale of this product.

To make a claim under warranty, go to [www.promariner.com](http://www.promariner.com) and click on the resources tab and follow the instructions making sure to identify the product and the problem. If you can not use our online warranty claim registration, please feel free to call the ProMariner factory service center at the toll free number listed below. ProMariner will make its best effort to repair or replace the product, if found defective within the terms of the warranty, within 30 days after return of the product to the company. ProMariner will ship the repaired or replaced product back to the purchaser. This warranty gives you specific legal rights, and you may also have other rights, which vary from state to state or province to province. This warranty is in lieu of all others expressed or implied.

ProMariner  
Factory Service Center & Technical Support  
15 Dartmouth Drive, STE 101  
Auburn, NH 03032.

USA TOLL FREE: 1-800-824-0524  
Tel: (603) 433-4440 / Fax: (603) 433-4442 / Email: [support@promariner.com](mailto:support@promariner.com)  
Visit us on the web at: [www.promariner.com](http://www.promariner.com)