



B200

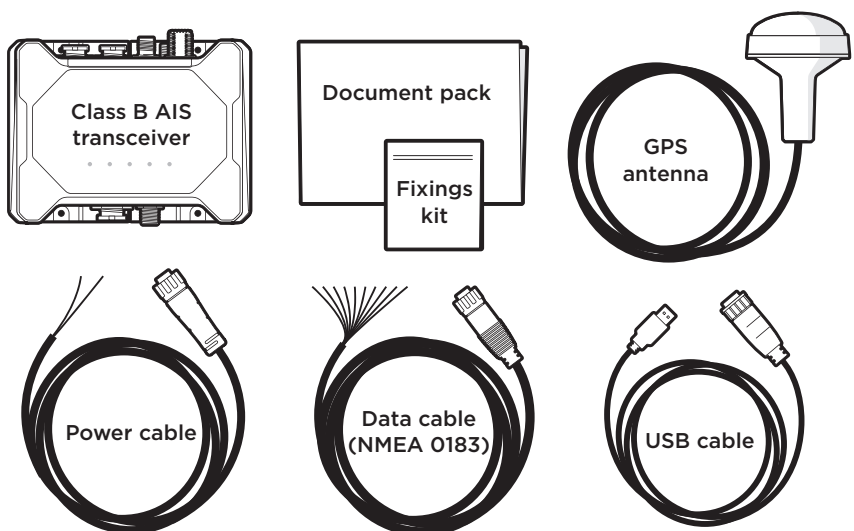
Class B AIS Transceiver

QUICK-START GUIDE

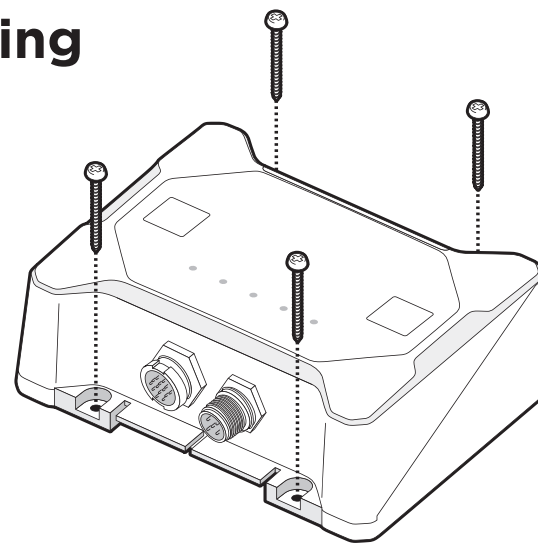


For full instructions of how to install and use your B200 Class B Transceiver please refer to the user manual.

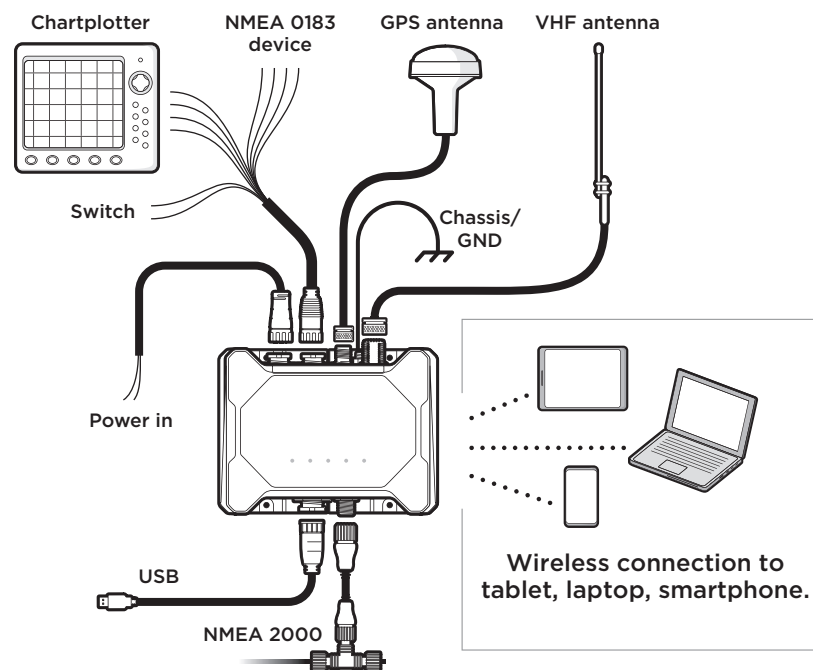
What's in the box?



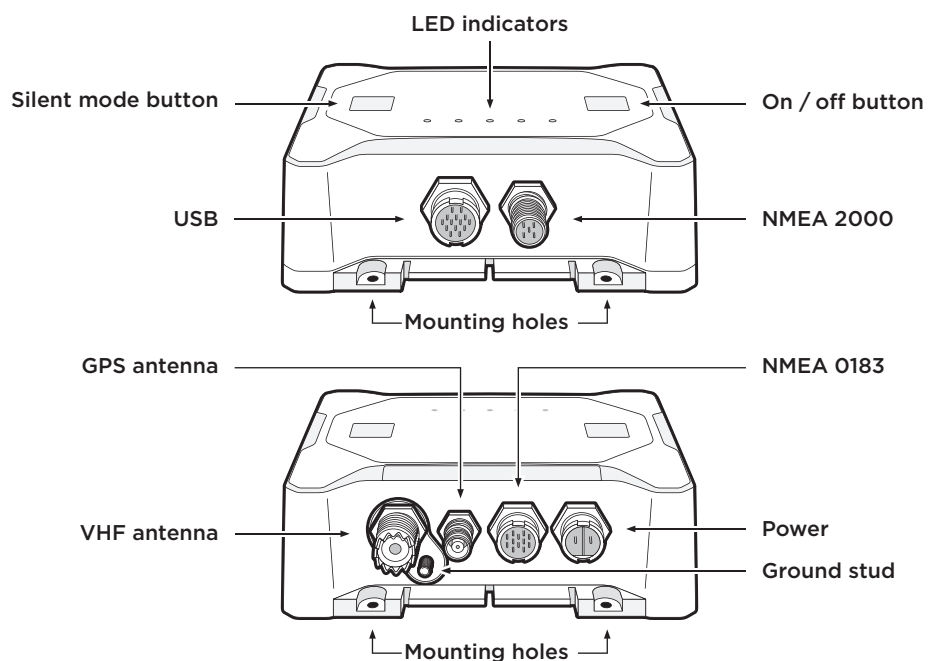
Mounting



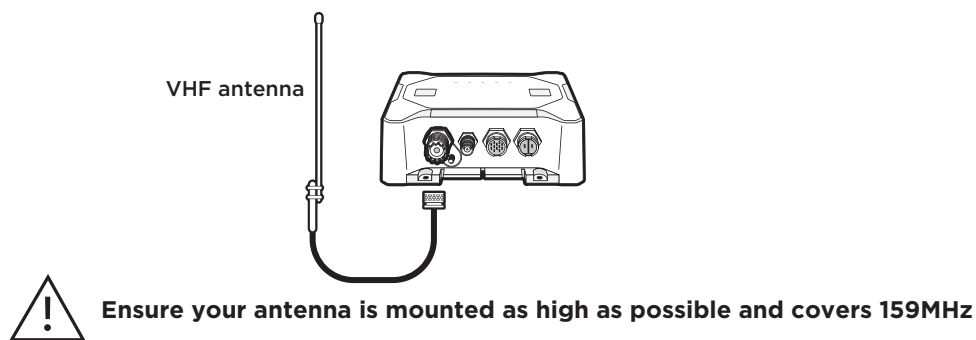
Installation configuration



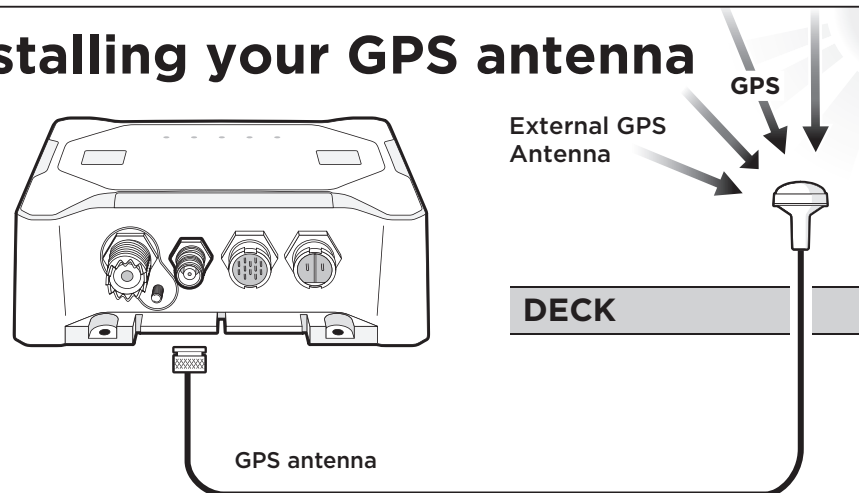
Overview



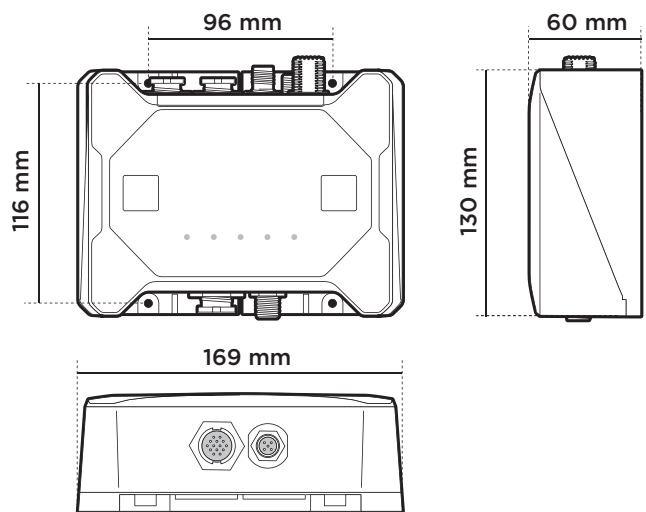
Installing your VHF antenna



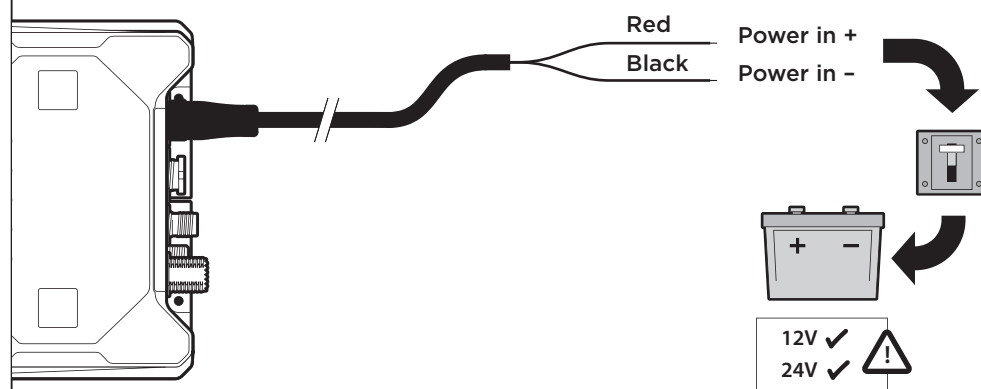
Installing your GPS antenna



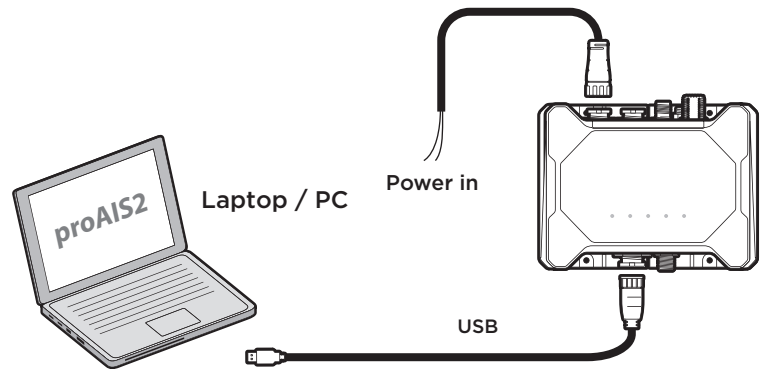
Dimensions



Connecting to your power supply

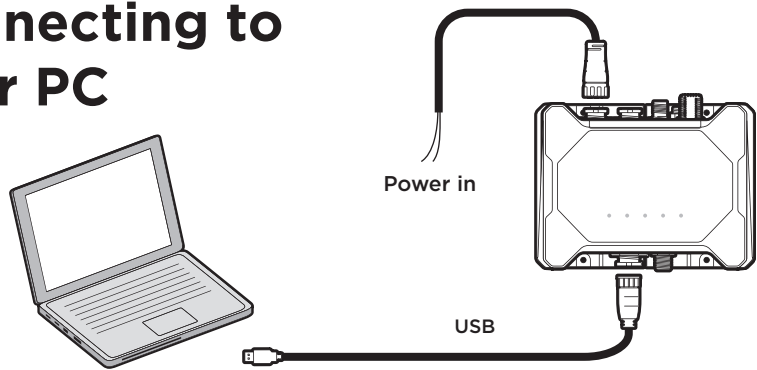


Configuring your transceiver

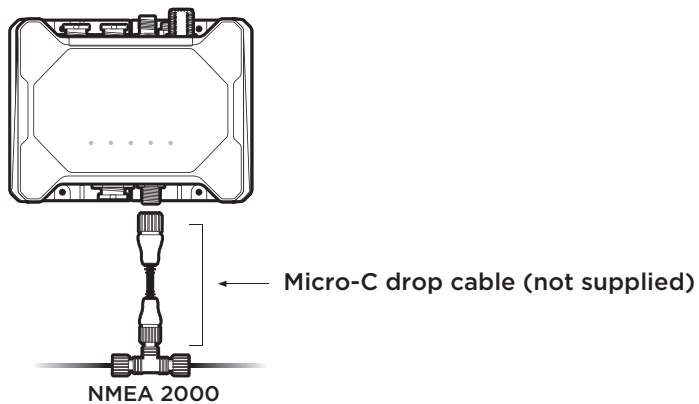


proAIS2 can be downloaded from <https://em-trak.com/installation/>

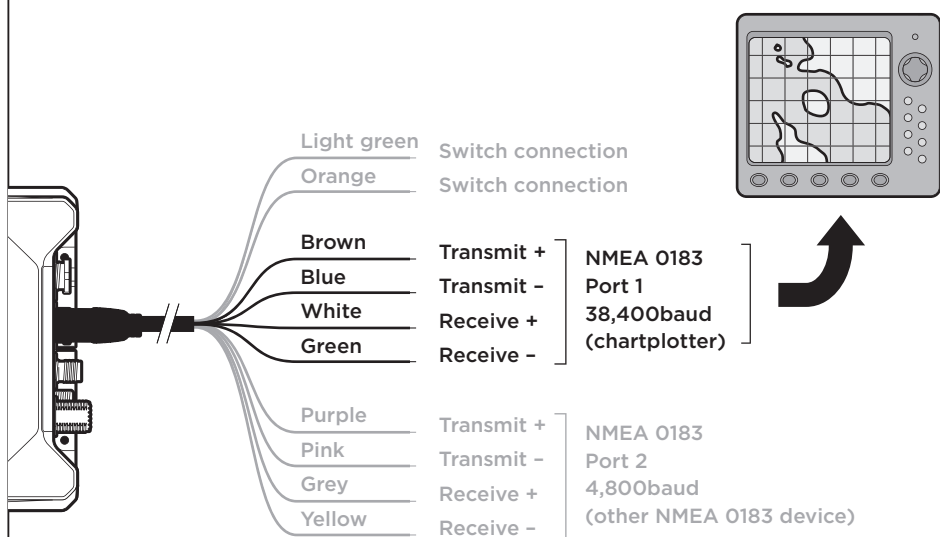
Connecting to your PC



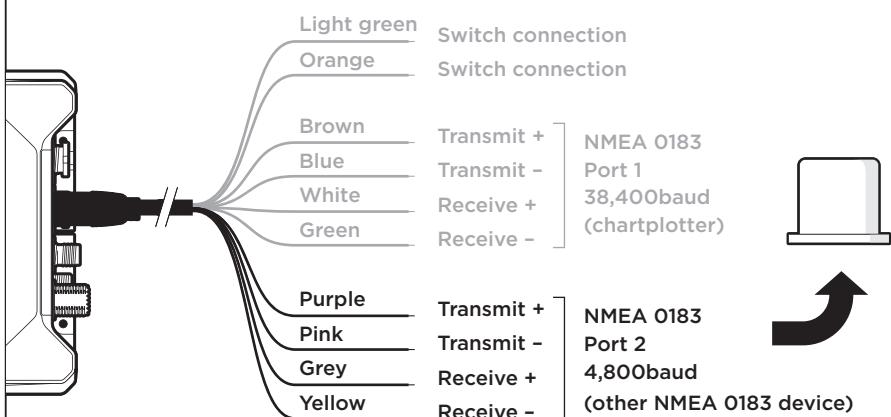
Connecting to your NMEA 2000 network



Connecting to your chartplotter

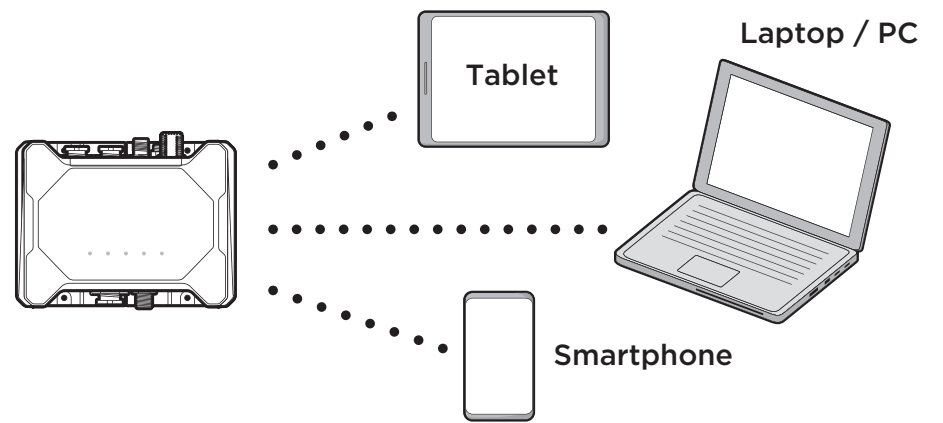


Connecting to your NMEA 0183 sensor



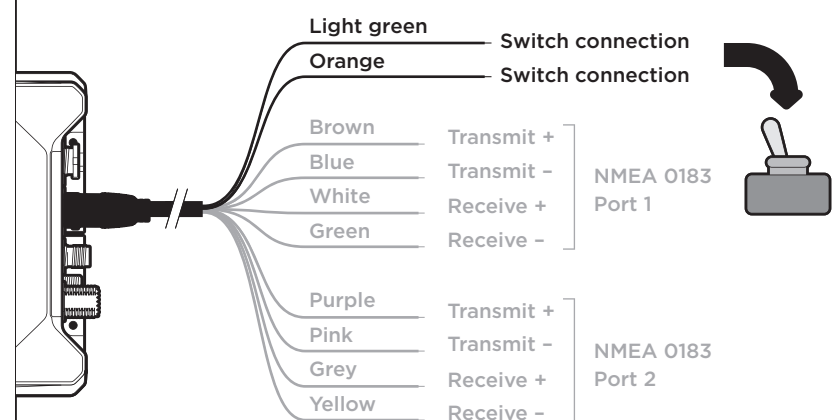
Connecting your mobile device

Data can be streamed to two WiFi and seven Bluetooth* devices simultaneously.

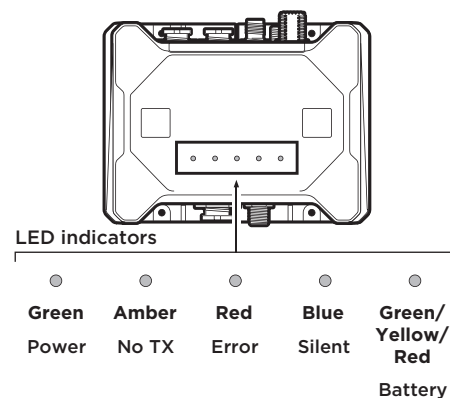


*Please note that Bluetooth is not supported by Apple devices.

Connecting a silent mode switch



LED indicator functions



• The AIS transceiver has been commanded by the local authority (via an AIS base station) to cease transmissions.

Red LED indicator

Indicates that the AIS transceiver has detected a system error. The likely causes of this are detailed in the troubleshooting guide in the B200 user manual. Alarms displayed in the Diagnostic tab of the em-trak configuration tools will also assist with troubleshooting.

Blue LED indicator

Indicates that silent mode is enabled. Silent mode is a feature of the B200 that ceases the transmissions from your own vessel, whilst the reception of other vessel position reports continue. You can activate this using the configuration tools or by activating the toggle switch as detailed in the B200 user manual.

Green/Yellow/Red LED indicator

Indicates the AIS transceiver is operating from the internal battery. The colour of the indicator flashes give information on the charge state of the battery: green - good charge level; yellow - ok charge level; red - low charge level.

Green LED indicator

Indicates that the AIS transceiver is configured, powered up and operating normally.

Amber LED indicator

Indicates that the AIS transceiver is not transmitting. This can be for a number of reasons:

- The AIS radio channels are exceptionally busy so there are currently no available slots for transmission.
- The unit has been in silent mode and after deactivating silent mode this amber LED indicator will illuminate until the first AIS message has been sent.

US customers only

In the USA it is illegal for an end user to configure their own AIS with their vessel data. To do so is a violation of the rules of the United States Coast Guard (USCG). This must be done by a competent installer, such as em-trak, an em-trak dealer or competent marine electronics professional. If your transceiver has not been pre-configured for you please refer to your dealer or contact support@em-trak.com for advice on how to have the transceiver configured legally. If purchasing direct from em-trak online we can configure it for you and dispatch it pre-configured at no extra cost, if you are purchasing from one of our dealers, then they will do it for you.



Head Office:

em-trak Marine Electronics Ltd
Wireless House, Westfield Industrial Estate,
Midsomer Norton, Bath, BA3 4BS, UK
E: support@em-trak.com
T: +44 (0) 1761 409 559,
F: +44 (0) 1761 410 093

Regional Office:

em-trak Marine Electronics Ltd
470 Atlantic Avenue, 4th Floor,
Boston, MA 02210, USA
E: enquiries@em-trak.com
T: +1 617 273 8395,
F: +1 617 273 8001