

attwood®

LED Courtesy Light

6300 Series Oblong

SAVE THESE INSTALLATION INSTRUCTIONS

Form Number 69406 Rev A

04-02

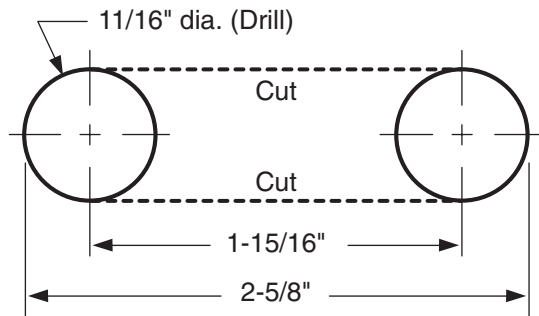
LED COURTESY LIGHT FEATURES

The Attwood Courtesy Light uses three LED lamps. They offer bright output, yet low heat and current draw. Service life is longer than conventional incandescent lamps.

⚠ WARNING

Remove vessel from water before using any 120-volt power tools.

Figure 1



REQUIRED FOR INSTALLATION

- Phillips screwdriver (#1 bit)
- 11/16" (17.5mm) drill bit
- Fine-tooth holesaw
- 3/32" (2.4mm) drill bit
- 18-gauge wire: red (positive) and black (negative)
- 0.5-amp fuse and fuse holder
- Crimp-type marine-grade connectors
- 12-volt switch (Attwood #7589-3, 14253-3, or 7563-3 or equivalent)

MOUNTING LOCATION

- Mount to any flat surface – minimum clearance of 15/16" required behind mounting surface.
- Be sure there are no fuel or water lines behind surface where you will be drilling.

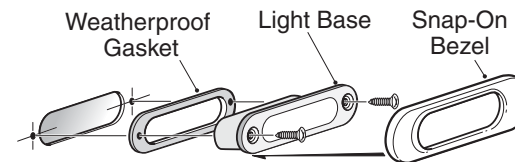
CUT-OUT INSTRUCTIONS

1. At selected mounting location, carefully mark center of holes, according to template (Figure 1).
2. Use 11/16" (17.5mm) bit to drill outside holes.
3. Use fine-tooth holesaw to cut between holes (Figure 1).
4. Outside dimensions should be 11/16" (17.5mm) high x 2-5/8" (66.7mm) wide.

MOUNTING INSTRUCTIONS

1. Remove snap-on decorative bezel.
2. Fit light base into mounting hole and use as template to mark fastener locations (Figure 2).
3. Remove light and use 3/32" (2.4mm) bit to drill fastener pilot holes.
4. Fit weatherproof gasket around base of light.
5. Connect to wiring from power source (see FINAL WIRING INSTRUCTIONS).

Figure 2



- Place light into hole. Fasten with provided screws (be careful **not** to overtighten).
- Install snap-on decorative bezel.

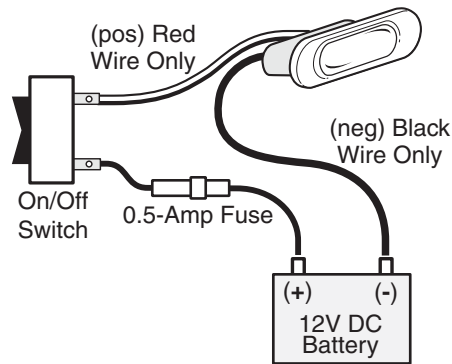
FINAL WIRING INSTRUCTIONS

Connect to 12-Volt DC power source **ONLY**. All positive wires must be protected by a 0.5-amp fuse. Higher voltage or failure to make proper wire and fuse connections will void the product warranty (Figure 3).

Use crimp-type marine-grade connectors with suitable insulation.

- Connect positive pole of 12VDC battery to red wire, 0.5-amp fuse, and switch (Figure 3).
- Connect red wire from light to switch.
- Connect black (negative) wire to negative pole of battery.
- Neatly thread wires, avoiding areas where abrasion or snagging may occur.

Figure 3



ATTWOOD LIMITED 10-YEAR WARRANTY

This Attwood product carries a limited ten (10) year warranty. This is a non-serviceable (LED) light source, any attempt to open or service the light voids warranty. See product catalog or attwoodmarine.com for details.

© 2004 Attwood Corporation
1016 N. Monroe Street, Lowell, MI 49331-0260 www.attwoodmarine.com

ATTWOOD LIMITED WARRANTY

ATTWOOD CORPORATION, 1016 North Monroe, Lowell, Michigan 49331 ("Attwood") warrants to the original consumer purchaser that Attwood brand products will be free from defects in materials and workmanship under normal use and service for one year from the date of original consumer purchases.

This limited warranty is not applicable if the product has been damaged by accident, improper installation, unreasonable or improper use, lack of proper maintenance, unauthorized repairs or modifications, normal wear and tear, or other causes not arising out of defects in materials or workmanship.

Attwood products are warranted for use on pleasure boats. Any other use—including but not limited to commercial, racing, or non-marine use—are not covered under this warranty. Attwood's obligation under this warranty is limited to repair of the product at Attwood's plant or replacement of the products at Attwood's option without expense to the original consumer purchaser. Any expenses involved in the removal, reinstallation or transportation of the product are not covered by this warranty.

The product must be returned to Attwood's plant at the address above, postage pre-paid, and insured with proof of original purchase including date. If Attwood is unable to replace the product and repair is not commercially practical or cannot be timely made, or if the original consumer purchaser is willing to accept a refund in lieu of repair or replacement, Attwood may refund the purchase price, less an amount for depreciation. The acceptance by Attwood of any product returned or any refund provided by Attwood shall not be deemed an admission that the product is defective or in violation of any warranty. Products that are replaced or for which a refund is issued become the property of Attwood.

THIS WARRANTY IS ATTWOOD'S ONLY EXPRESSED WARRANTY OF THESE PRODUCTS. NO IMPLIED WARRANTY INCLUDING, WITHOUT LIMITATION, THE IMPLIED WARRANTIES OF MERCHANTABILITY AND FITNESS FOR A PARTICULAR PURPOSE, SHALL BE EXTENDED BEYOND THE WARRANTY PERIOD STATED ABOVE FOR EACH PRODUCT. ATTWOOD SHALL NOT BE LIABLE FOR ANY DAMAGES, FOR LOSS OF USE OF THIS PRODUCT, NOR FOR ANY OTHER INCIDENTAL OR CONSEQUENTIAL DAMAGES, COSTS, OR EXPENSES.

Some states do not allow limitations on how long an implied warranty lasts or the exclusion or limitation of incidental or consequential damages, so the above limitations and exclusions may not apply to you. This warranty gives you specific legal rights, and you may have other rights which vary from state to state.