

VMH SERIES

VMH 14

USER MANUAL
rev. AA



EN

DE

IT

FR

ES



LANGUAGE	PAGE
ENGLISH	3
DEUTSCH	21
ITALIANO	40

VMH SERIES

VMH 14

USER MANUAL
rev. AA



EN

DE

IT

FR

ES



CONTENT

Introduction	3
Packaging Content	3
The All-in-one Gauge	3
Contactless Configuration	3
Safety information	4
Safety during Installation	4
Safety After installation	5
Electrical Connections	5
Installation	6
Before the Assembly	6
Installation with Spinlock	7
Connection	8
Device Pinout	8
EasyLink Connection	8
Display layout	10
Display Sections	10
Alarm Display	10
Configuration	11
VMH 14 Configurator App	11
VMH 14 Configuration	12
Supported Configurations	14
Alarm Settings	14
Technical Data	15
Datasheet	15
Technical Drawings	16
Accessories	17

INTRODUCTION

PACKAGING CONTENT



1x VMH 14
B001099



**1x 52 mm Rubber
sealing gasket**
A2C53194838



**1x 52 mm Mounting
Spinlock**
A2C52059471



1x Veratron card
B000101



1x Safety manual
B000100

THE ALL-IN-ONE GAUGE

The VMH device can easily be configured to be the instrument you need - thanks to its sun-readable display embedded into a standard 52 mm instrument housing with the elegant VMH-series look.

The EasyLink-Interface allows the device to display a variety of different datatypes, received from any VMH- or OceanLink master device.

CONTACTLESS CONFIGURATION

Thanks to the contactless configuration you can setup your all-in-one instrument with your smartphone!

Launch the companion app and define your settings through the user-friendly interface, then

The simple but effective graphic design presents the data in a clear and intuitive form. In addition, the round bar graph with the customizable range and the alarm displays helps you to visually better understand your data.

simply hold your mobile device in proximity of the VMH 14 device to transfer the configuration.

Thanks to the embedded passive antenna the configuration can be done powerless!

SAFETY INFORMATION

WARNING

- No smoking! No open fire or heat sources!
- The product was developed, manufactured and inspected according to the basic safety requirements of EC Guidelines and state-of-the-art technology.
- The instrument is designed for use in grounded vehicles and machines as well as in pleasure boats, including non-classified commercial shipping.
- Use our product only as intended. Use of the product for reasons other than its intended use may lead to personal injury, property damage or environmental damage. Before installation, check the vehicle documentation for vehicle type and any possible special features!
- Use the assembly plan to learn the location of the fuel/hydraulic/compressed air and electrical lines!
- Note possible modifications to the vehicle, which must be considered during installation!
- To prevent personal injury, property damage or environmental damage, basic knowledge of motor vehicle/shipbuilding electronics and mechanics is required.
- Make sure that the engine cannot start unintentionally during installation!
- Modifications or manipulations to veratron products can affect safety. Consequently, you may not modify or manipulate the product!
- When removing/installing seats, covers, etc., ensure that lines are not damaged and plug-in connections are not loosened!
- Note all data from other installed instruments with volatile electronic memories.

SAFETY DURING INSTALLATION

- During installation, ensure that the product's components do not affect or limit vehicle functions. Avoid damaging these components!
- Only install undamaged parts in a vehicle!
- During installation, ensure that the product does not impair the field of vision and that it cannot impact the driver's or passenger's head!
- A specialized technician should install the product. If you install the product yourself, wear appropriate work clothing. Do not wear loose clothing, as it may get caught in moving parts. Protect long hair with a hair net.
- When working on the on-board electronics, do not wear metallic or conductive jewelry such as necklaces, bracelets, rings, etc.
- If work on a running engine is required, exercise extreme caution. Wear only appropriate work clothing as you are at risk of personal injury, resulting from being crushed or burned.
- Before beginning, disconnect the negative terminal on the battery, otherwise you risk a short circuit. If the vehicle is supplied by auxiliary batteries, you must also disconnect the negative terminals on these batteries! Short circuits can cause fires, battery explosions and damages to other electronic systems. Please note that when you disconnect the battery, all volatile electronic memories lose their input values and must be reprogrammed.
- If working on gasoline boat motors, let the motor compartment fan run before beginning work.
- Pay attention to how lines and cable harnesses are laid so that you do not drill or saw through them!
- Do not install the product in the mechanical and electrical airbag area!
- Do not drill holes or ports in load-bearing or stabilizing stays or tie bars!
- When working underneath the vehicle, secure it according to the specifications from the vehicle manufacturer.
- Note the necessary clearance behind the drill hole or port at the installation location. Required mounting depth: 65 mm.

- Drill small ports; enlarge and complete them, if necessary, using taper milling tools, saber saws, keyhole saws or files. Deburr edges. Follow the safety instructions of the tool manufacturer.
- Use only insulated tools if work is necessary on live parts.
- Use only the multimeter or diode test lamps provided, to measure voltages and currents in the vehicle/machine or boat. Use of conventional test lamps can cause damage to control units or other electronic systems.
- The electrical indicator outputs and cables connected to them must be protected from direct contact and damage. The cables in use must have enough insulation and electric strength and the contact points must be safe from touch.
- Use appropriate measures to also protect the electrically conductive parts on the connected consumer from direct contact. Laying metallic, uninsulated cables and contacts is prohibited.

SAFETY AFTER INSTALLATION

- Connect the ground cable tightly to the negative terminal of the battery.
- Reenter/reprogram the volatile electronic memory values.
- Check all functions.
- Use only clean water to clean the components. Note the Ingress Protection (IP) ratings (IEC 60529).

ELECTRICAL CONNECTIONS

- Note cable cross-sectional area!
- Reducing the cable cross-sectional area leads to higher current density, which can cause the cable cross-sectional area in question to heat up!
- When installing electrical cables, use the provided cable ducts and harnesses; however, do not run cables parallel to ignition cables or to cables that lead to large electricity consumers.
- Fasten cables with cable ties or adhesive tape. Do not run cables over moving parts. Do not attach cables to the steering column!
- Ensure that cables are not subject to tensile, compressive or shearing forces.
- If cables are run through drill holes, protect them using rubber sleeves or the like.
- Use only one cable stripper to strip the cable. Adjust the stripper so that stranded wires are not damaged or separated.
- Use only a soft soldering process or commercially available crimp connector to solder new cable connections!
- Make crimp connections with cable crimping pliers only. Follow the safety instructions of the tool manufacturer.
- Insulate exposed stranded wires to prevent short circuits.
- Caution: Risk of short circuit if junctions are faulty or cables are damaged.
- Short circuits in the vehicle network can cause fires, battery explosions and damages to other electronic systems. Consequently, all power supply cable connections must be provided with weldable connectors and be sufficiently insulated.
- Ensure ground connections are sound.
- Faulty connections can cause short circuits. Only connect cables according to the electrical wiring diagram.
- If operating the instrument on power supply units, note that the power supply unit must be stabilized and it must comply with the following standard: DIN EN 61000, Parts 6-1 to 6-4.

INSTALLATION

⚠ WARNING

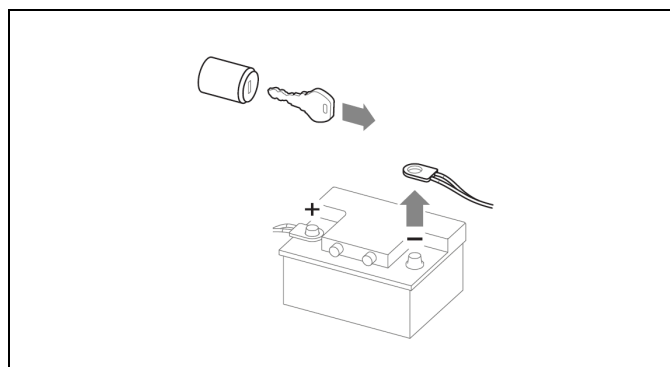
Before beginning, disconnect the negative terminal on the battery, otherwise you risk a short circuit. If the vehicle is supplied by auxiliary batteries, you must also disconnect the negative terminals on these batteries! Short circuits can cause fires, battery explosions and damages to other electronic systems. Please note that when you disconnect the battery, all volatile electronic memories lose their input values and must be reprogrammed.

BEFORE THE ASSEMBLY

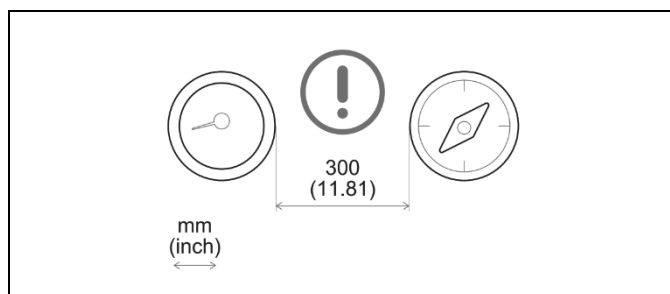
1. Before beginning, turn off the ignition and remove the ignition key. If necessary, remove the main circuit switch.

Disconnect the negative terminal on the battery. Make sure the battery cannot unintentionally restart.

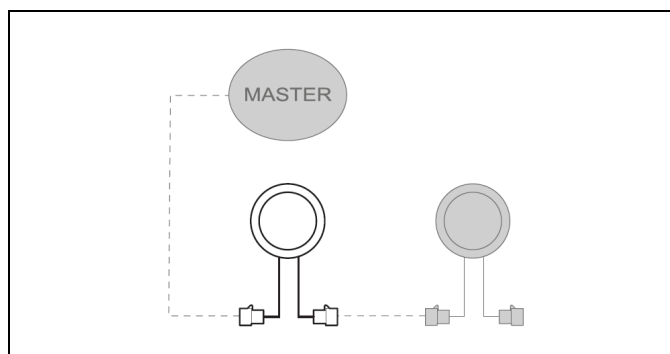
Refer to the safety instructions of this document.



2. Place the device at least 300 mm away from any magnetic compass.



3. Consider that the device must be connected to an VMH master device and/or other VMH 14 gauges (maximum 16 gauges in a daisy chain per master).



INSTALLATION WITH SPINLOCK

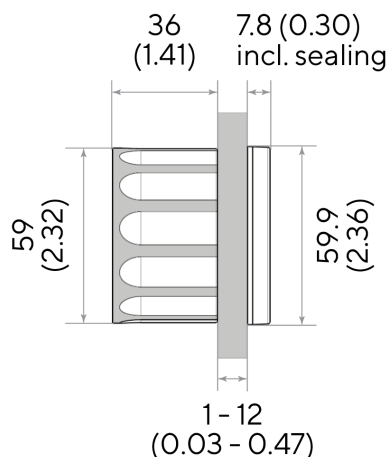
The panel width may be within a range of 1 to 12 mm. The drill hole must have a diameter of 52 mm [A].

WARNING

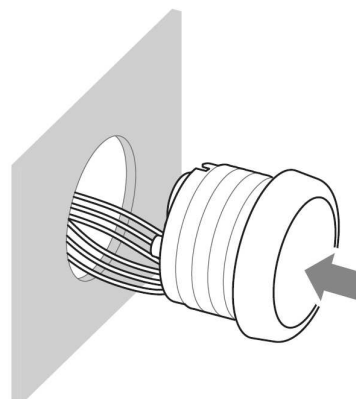
- Do not drill holes or ports in load-bearing or stabilizing stays or tie bars!
- Note the necessary clearance behind the drill hole or port at the installation location. Required mounting depth: 40 mm.
- Drill small ports; enlarge and complete them, if necessary, using taper milling tools, saber saws, keyhole saws or files. Deburr edges. Follow the safety instructions of the tool manufacturer.

1. Create a circular hole in the panel considering the device dimensions. [A]
2. Remove the spinlock and insert the device from the front. [B]
3. Adjust the spinlock as shown in picture [C] according to the panel thickness.
4. Carefully screw in the spinlock by hand at least two turns.
5. Insert the connector.

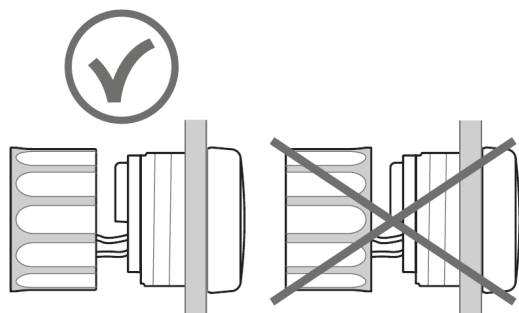
A



B



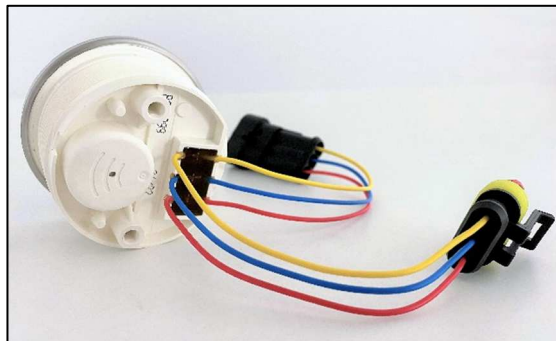
C



CONNECTION

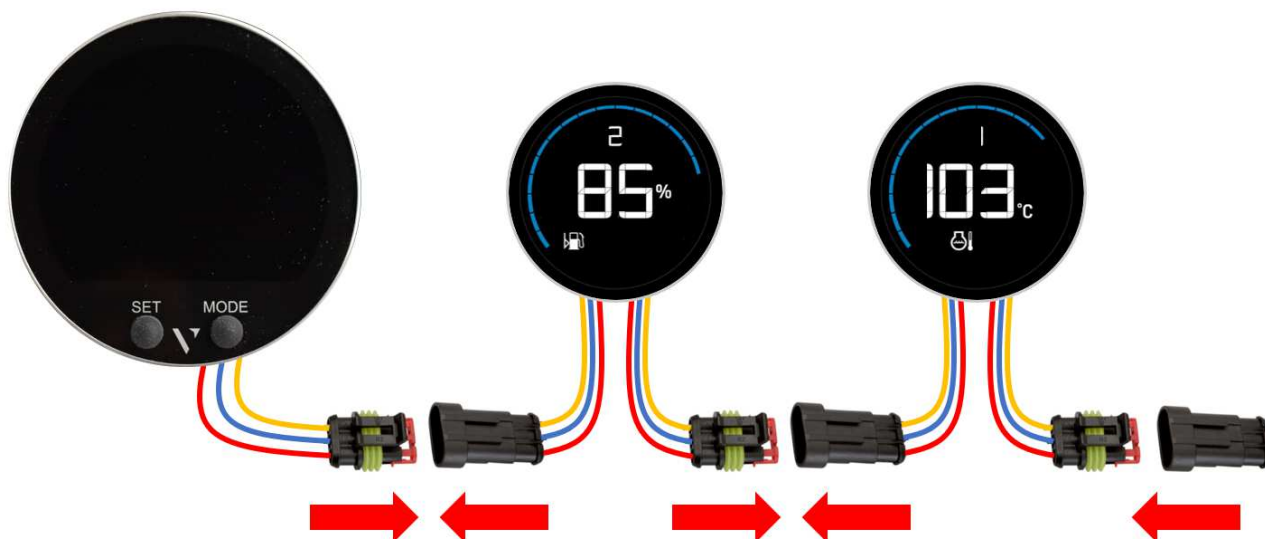
DEVICE PINOUT

The VMH 14 device is designed with two AMP SuperSeal 1.5 connectors on the backside – one male and one female – to allow the daisy-chain connection of up to 16 instruments in series to the master.



Wire color	Description
Red	+ 12V power
Blue	Ground
Yellow	EasyLink data

EASYLINK CONNECTION



EasyLink connection with VMH 35 master and two VMH 14 satellites

Once the panel installation is complete it is possible to connect the VMH 14 to the EasyLink interface.

The device can be directly connected to the EasyLink master (like the VMH 35 display), or in series to another VMH 14 satellite thanks to the daisy-chain architecture.

NOTE: One master must always be present in the system to distribute the data to the satellites.

Make sure the contacts have been locked audibly into place so to preserve the water tightness.

In case the length of the cable is not enough to reach the next device, it is possible to extend the total length by using the accessory EasyLink extension cable A2C59500139.

Please note that EasyLink does not allow daisy chains longer than 20 meters and with maximum 16 satellite devices.

It is recommended to connect the blind plug (provided with the master instrument) after the last satellite instrument to avoid water intrusion through the unused connector.



DISPLAY LAYOUT

DISPLAY SECTIONS

A: Round Bar Graph

The bar graph helps to interpret the displayed vessel information quicker and more intuitive. The minimum and maximum values of the bar graph range are customizable via the VMH14 App.

(Refer to the section Configurations to learn more about the process of customizing and the limitations of the bar graph ranges.)

B: Numeric Value

The big number in the middle represent the measured value.

C: Unit

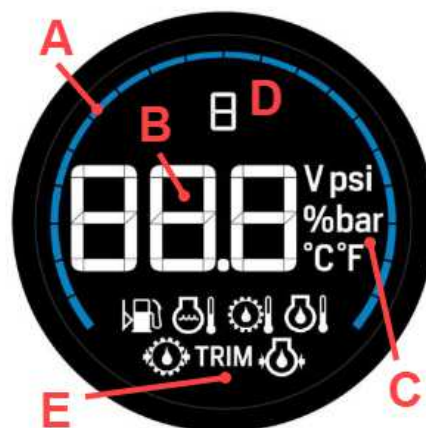
The unit of measurement is displayed right next to the numeric measurement value.

D: Instance

For some data types it's possible that there are several different values available on the EasyLink bus. The number in "area D" represents the instance number of the value, currently displayed. This means, depending on the data type, the engine number/ tank number/etc. .

E: Data Type Symbol

On the bottom of the display there is a symbol representing the currently selected data type. Refer to the section Configuration to see all displayable values and their according symbols.



ALARM DISPLAY

The display can indicate that the received value has exceeded or fell below a certain threshold. If this is the case, the bar graph and the numeric value will start to blink with a frequency of 1Hz.

More information about the alarm settings and how to configure them can be found in the section "Configuration".

CONFIGURATION

VMH 14 CONFIGURATOR APP

To configure the VMH 14, some parameters must be calibrated, like which value to display, the range of the bar graph and the alarms such as their thresholds.

This is possible through the smartphone App “VMH 14”, which can be downloaded free of charge from the stores of both Android and iOS devices.

A simple and detailed explanation of the configuration process is also available as in-app instructions.

Thanks to the passive embedded NFC receiver, the VMH 14 can be configured, as described below, without the need of a power supply.



VMH 14 CONFIGURATOR



The setup of the VMH 14 device is an intuitive three-step process. Please remember that you must READ from the device before being able to modify and download the configuration to the instrument.

1. READ



2. CONFIGURE



3. WRITE



VMH 14 CONFIGURATION

1. READ THE VMH 14 CONFIGURATION

Launch the “VMH 14” App and read the current configuration of the device by “tapping” the smartphone onto the NFC symbol on the devices rear side.

The READ operation is mandatory before the WRITE operation is allowed.

After the readout, the App will be set with the current configuration.

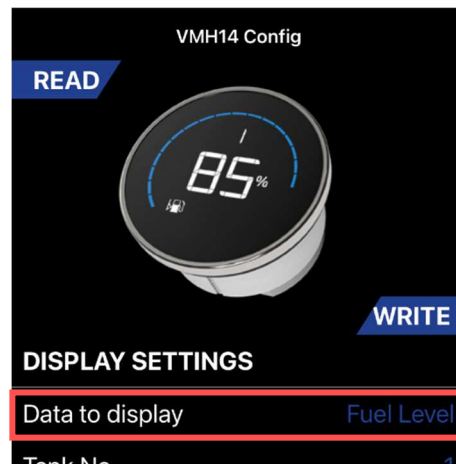


NOTE: The antenna position on the smartphone depends on the model. Please refer to the smartphone manufacturer manual.

2. SELECT GAUGE TYPE

Tap the “Data to display” item in the “Display Settings” section to choose the data you want to display on the VMH 14.

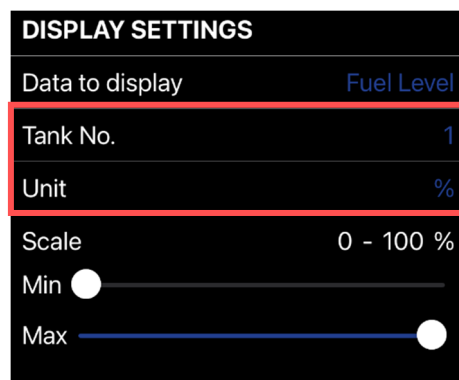
Note: See the complete list of supported gauge types in the “Supported Configurations” table of this document.



3. SET UNITS AND INSTANCE

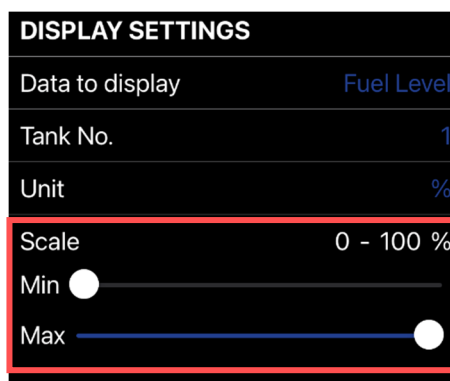
Define the unit for the displayed value if more than one is available (see “Supported Configurations” table).

Set the instance for the displayed value (e.g. Engine No. or Tank No.) so that the VMH 14 will show your data on the display.



4. BARGRAPH SETTINGS

It's possible to customize the range of values, which the bar graph should be able to reach. In order to do so, just move the levers into the desired position.



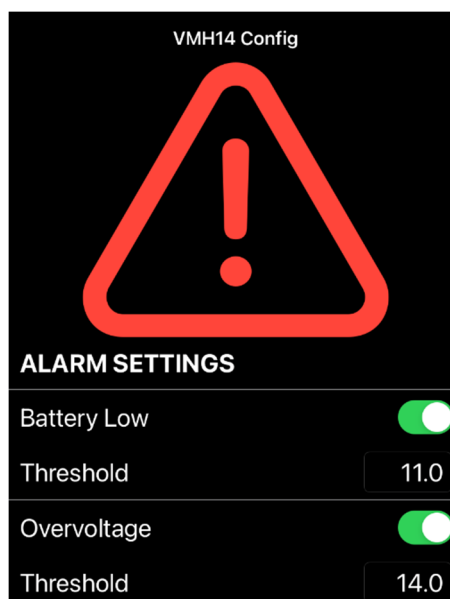
5. CONFIGURE THE ALARM

The alarm can be activated or deactivated by using the switches on the right side of the according alarm description.

Once active, it is possible to set a threshold for it in the dedicated field.

The threshold unit is the same unit as defined in step 3.

Note: the alarm threshold direction (active above or active below) is statically defined (see table "Alarm Settings").









6. UPLOAD THE CONFIGURATION TO THE VMH 14

Once the configuration is completed, you can upload it to the VMH 14.

Press the "WRITE" button on the top/right of the App screen and near the smartphone again to the dedicated NFC area of the VMH device.



SUPPORTED CONFIGURATIONS

Gauge Type	Symbol	Unit	Bar Graph Range
Fuel Level <i>(Set as factory default)</i>		%	0 - 100 % Default: 0 - 100 %
Trim	TRIM	%	0 - 100 % Default: 0 - 100 %
Coolant Temperature		°C °F	0 - 200 °C Default: 40 - 120 °C
Engine Oil Pressure		bar PSI	0 - 30 bar Default: 0 - 10 bar
Engine Oil Temperature		°C °F	0 - 200 °C Default: 0 - 150 °C
Gear Oil Pressure		bar PSI	0 - 30 bar Default: 0 - 25 bar
Gear Oil Temperature		°C °F	0 - 200 °C Default: 0 - 150 °C
Voltmeter	-	V	0 - 30 V Default: 11 - 14 V

* The supported configurations may be updated at any time. Please make sure to always use the latest App version.

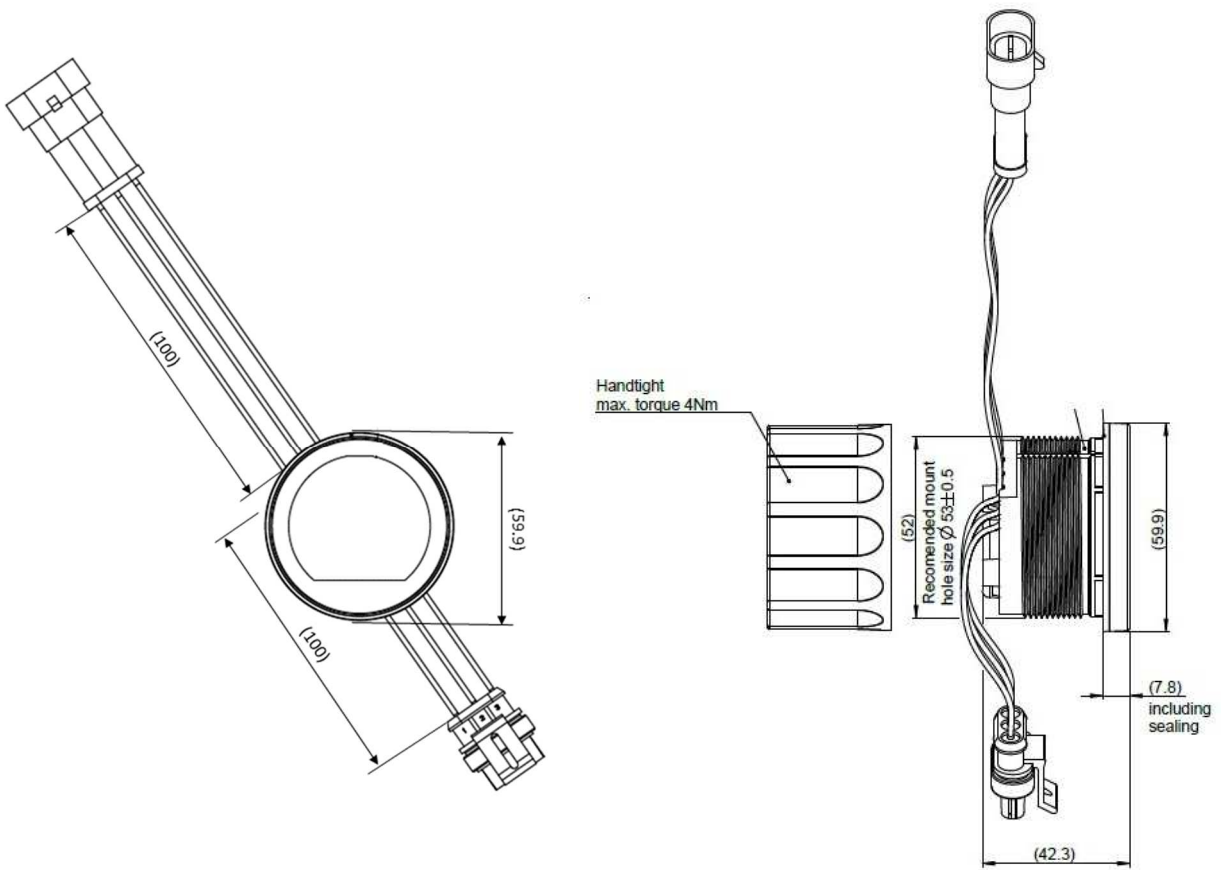
ALARM SETTINGS

Gauge Type	Alarm Description	Alarm triggered...	Possible Threshold Values
Fuel Level	Low Fuel Level	below threshold	0 - 100 %
Coolant Temperature	Engine Overtemperature	above threshold	0 - 200 °C
Engine Oil Temperature	High Oil Temperature	above threshold	0 - 200 °C
Engine Oil Pressure	Low Oil Pressure	below threshold	0 - 30 bar
Gear Oil Temperature	High Gear Oil Temperature	above threshold	0 - 200 °C
Gear Oil Pressure	Low Gear Oil Press	below threshold	0 - 30 bar
Voltmeter	Battery Low	below threshold	0 - 30 V
	Overvoltage	above threshold	0 - 30 V
Trim	Engine Tilt	above threshold	0 - 100 %

TECHNICAL DATA

DATASHEET

Nominal Voltage	12 V (from EasyLink connection)
Connectivity	EasyLink, NFC
Configuration interface	NFC (Near Field Communication)
Protection class	IP X7 acc. IEC60529
Display	Optically bonded IBN segment display
Lens	Mineral glass
Housing	Ø52 mm - Polycarbonate (PC), flame retardant acc. UL94-V0
Required mounting depth	40 mm
Bezels	Brushed stainless steel
Operating temperature	-20°C to +60°C
Storage temperature	-30°C to +80°C
Connector	AMP SuperSeal 1.5 P/N Male: 282105-1 P/N Female: 282087-1
Mounting	Spinlock Nut - locking height 0.5 - 20 mm
Certifications	CE, UKCA, Reach, RoHS, UL94-V0



ACCESSORIES

Accessory	Part Number
EasyLink Extension cable	A2C59500139
Spinlock Nut 52 mm	A2C52059471
52 mm Rubber sealing gasket	A2C53194838

Visit <http://www.veratron.com> for the complete list of accessories.



veratron AG
Industriestrasse 18
9464 Rüthi,
Switzerland

T +41 71 7679 111
info@veratron.com
veratron.com

Any distribution, translation or reproduction, partial or total, of the document is strictly prohibited unless with prior authorization in writing from veratron AG, except for the following actions:

- Printing the document in its original format, totally or partially.
- Copying contents without any modifications and stating Veratron AG as copyright owner.

Veratron AG reserves the right to make modifications or improvements to the relative documentation without notice.

Requests for authorization, additional copies of this manual or technical information on the latter, must be addressed to veratron AG.

VMH SERIES

VMH 14

BEDIENUNGSANLEITUNG
rev. AA



EN

DE

IT

FR

ES



INHALT

Einführung	3
Verpackungsinhalt	3
Das All-in-one Gerät	3
Kontaktlose Konfiguration	3
Sicherheitshinweise	4
Während des Einbaus beachten	4
Nach dem Einbau beachten	5
Elektrische Anschlüsse	5
Installation	7
Vor dem Zusammenbau	7
Einbau mit Spinlock	8
Anschluss	9
Pinbelegung	9
EasyLink-Verbindung	9
Display Layout	11
DisplayBereiche	11
Alarmanzeige	11
Konfiguration	12
VMH 14 Configurator App	12
VMH 14 Konfiguration	13
Unterstützte Konfigurationen	15
Alarm-Einstellungen	15
Technische Daten	16
Datenblatt	16
Technische Zeichnungen	17
Zubehör	18

EINFÜHRUNG

VERPACKUNGSIHALT



1x VMH 14
B001099



1x 52 mm
Gummidichtung
A2C53194838



1x 52 mm Spinlock
A2C52059471



1x Veratron-Karte
B000101



1x Sicherheitshandbuch
B000100

DAS ALL-IN-ONE GERÄT

Das VMH-Gerät lässt sich einfach zu dem Instrument konfigurieren, welches Sie benötigen - dank seines sonnenlesbaren Displays, das in ein 52-mm-Standardgehäuse mit dem eleganten Look der VMH-Serie eingebettet ist.

Mit dem EasyLink-Interface kann das Gerät eine Vielzahl von verschiedenen Datentypen anzeigen,

die von einem beliebigen VMH- oder OceanLink-Mastergerät empfangen werden.

Das einfache, aber effektive grafische Design präsentiert die Daten in einer klaren und intuitiven Form. Darüber hinaus hilft Ihnen das runde Balkendiagramm mit dem anpassbaren Anzeigebereich und den Alarmanzeigen, Ihre Daten schneller zu verstehen.

KONTAKTLOSE KONFIGURATION

Dank der berührungslosen Konfiguration können Sie Ihr All-in-One-Gerät ganz einfach mit Ihrem Smartphone einrichten!

Starten Sie die dazugehörige App und legen Sie Ihre Einstellungen über die benutzerfreundliche

Oberfläche fest. Halten Sie Ihr Mobilgerät dann einfach auf das VMH 14-Gerät, um die Konfiguration kabellos zu übertragen.

Dank der eingebauten passiven Antenne kann die Konfiguration stromlos durchgeführt werden!

SICHERHEITSHINWEISE

WARNUNG

- Nicht rauchen! Kein offenes Feuer oder Wärmequellen!
- Das Produkt wurde unter Beachtung der grundlegenden Sicherheitsanforderungen der EG-Richtlinien und dem anerkannten Stand der Technik entwickelt, gefertigt und geprüft.
- Das Gerät ist für den Einsatz in erdgebundenen Fahrzeugen und Maschinen sowie den Einsatz in der Sportschiffahrt, inklusive der nicht klassifizierten Berufsschiffahrt bestimmt.
- Setzen Sie unser Produkt nur bestimmungsgemäß ein. Die Folgen einer nicht bestimmungsgemäßen Verwendung des Produktes können Personenschäden sowie Sachschäden oder Umweltschäden sein. Informieren Sie sich vor dem Einbau anhand der Fahrzeug-Papiere über den Fahrzeugtyp und über eventuelle Besonderheiten!
- Informieren Sie sich anhand von Bauplänen über die Lage von Kraftstoff- /Hydraulik- /Druckluft und elektrischen Leitungen!
- Beachten Sie eventuelle Veränderungen am Fahrzeug, die beim Einbau zu berücksichtigen sind!
- Für den Einbau sind Grundkenntnisse der Kfz/Schiffbau-Elektrik und -Mechanik erforderlich, um Personenschäden, Sachschäden oder Umweltschäden zu vermeiden.
- Stellen Sie sicher, dass kein unbeabsichtigter Motorstart während des Einbaus ausgeführt werden kann!
- Veränderungen oder Manipulationen am veratron-Produkt können die Sicherheit beeinflussen. Es darf deshalb nicht verändert oder manipuliert werden!
- Beim Aus-/Einbau von Sitzen, Abdeckungen o. ä. darauf achten, dass Sie keine Leitungen beschädigen oder Steckverbindungen lösen!
- Alle Daten von anderen installierten Geräten mit flüchtigen elektronischen Speichern notieren.

WÄHREND DES EINBAUS BEACHTEN

- Achten Sie beim Einbau darauf, dass die Komponenten des Produkts die Fahrzeugfunktionen nicht beeinflussen oder behindern und selbst nicht beschädigt werden!
- Bauen Sie nur unbeschädigte Teile in ein Fahrzeug ein!
- Achten Sie beim Einbau darauf, dass durch das Produkt der Sichtbereich nicht beeinträchtigt wird und das Produkt nicht im Kopfaufschlagbereich des Fahrers und Beifahrers positioniert wird!
- Den Einbau des Produktes sollten Sie von einem darauf spezialisierten Fachmann ausführen lassen. Wenn Sie den Einbau selbst vornehmen, tragen Sie geeignete Arbeitskleidung. Tragen Sie keine weite Kleidung. Sie kann von beweglichen Teilen erfasst werden. Tragen Sie bei langen Haaren ein Haarnetz. Bei Arbeiten an der Bordelektrik keinen metallischen oder leitfähigen Schmuck wie Ketten, Armbänder, Ringe etc. tragen.
- Falls notwendige Arbeiten am laufenden Motor erforderlich sind, besondere Vorsicht walten lassen. Tragen Sie nur entsprechende Arbeitskleidung, da Verletzungsgefahr durch Quetschungen und Verbrennungen besteht. Vor Beginn der Arbeiten ist der Minuspol der Batterie abzuklemmen, da sonst Kurzschlussgefahr besteht. Wenn das Fahrzeug über Zusatzbatterien verfügt, müssen ggf. auch die Minuspole dieser Batterien abgeklemmt werden! Kurzschlüsse können Kabelbrände, Batterieexplosionen und Beschädigungen von anderen elektronischen Systemen verursachen. Bitte beachten Sie, dass beim Abklemmen der Batterie alle flüchtigen elektronischen Speicher ihre eingegebenen Werte verlieren und neu programmiert werden müssen.

- Lassen Sie bei Bootsmotoren vor Beginn der Arbeiten im Motorraum bei Benzinmotoren den Motorraumlüfter laufen.
- Achten Sie auf den Verlauf von Leitungen oder Kabelsträngen, um diese bei Bohr- und Sägearbeiten nicht zu beschädigen!
- Den Einbauort nicht im mechanischen und elektrischen Airbag-Bereich wählen!
- Bohrungen und Einbauöffnungen nicht in tragende oder stabilisierende Streben oder Holme anbringen!
- Bei Arbeiten unter dem Fahrzeug, dieses nach Vorschrift des Fahrzeugherstellers sichern.
- Beim Einbauort auf den nötigen Freiraum hinter den Bohrungen oder der Einbauöffnung achten. Notwendige Einbautiefe 65 mm.
- Einbauöffnungen klein vorbohren, mit Konusfräser, Loch-, Stichsäge oder Feile gegebenenfalls vergrößern und fertig stellen. Kanten entgraten. Unbedingt die Sicherheitshinweise der Handwerkzeughersteller beachten.
- Bei notwendigen Arbeiten ohne Spannungsunterbrechung darf nur mit isoliertem Werkzeug gearbeitet werden.
- Benutzen Sie zum Messen von Spannungen und Strömen im Fahrzeug/ Maschine bzw. Schiff nur dafür vorgesehene Multimeter oder Diodenprüflampen. Die Benutzung herkömmlicher Prüflampen kann die Beschädigung von Steuergeräten oder anderer elektronischer Systeme zur Folge haben.
- Die elektrischen Ausgänge des Anzeigergerätes und daran angeschlossene Kabel müssen vor direkter Berührung und Beschädigung geschützt werden. Dazu müssen die verwendeten Kabel eine ausreichende Isolation bzw. Spannungsfestigkeit besitzen und die Kontaktstellen berührungssicher sein.
- Auch die elektrisch leitenden Teile der angeschlossenen Verbraucher sind durch entsprechende Maßnahmen vor direkter Berührung zu schützen. Das Verlegen metallisch blanker Kabel und Kontakte ist nicht zulässig.

NACH DEM EINBAU BEACHTEN

- Massekabel an den Minuspol der Batterie fest anklemmen.
- Werte der flüchtigen elektronischen Speicher neu eingeben/programmieren.
- Prüfen Sie alle Funktionen.
- Zur Reinigung der Komponenten nur klares Wasser verwenden. IP-Schutzarten (IEC 60529) beachten.

ELEKTRISCHE ANSCHLÜSSE

- Kabelquerschnitt beachten!
- Eine Verringerung des Kabelquerschnitts führt zu einer höheren Stromdichte. Dies kann zu einer Erhitzung des betreffenden Kabelabschnitts führen!
- Bei der elektrischen Kabelverlegung benutzen Sie vorhandene Kabelkanäle und Kabelstränge, führen Sie die Kabel jedoch nicht parallel zu Zündkabeln oder parallel zu Kabeln, die zu großen Stromverbrauchern führen.
- Fixieren Sie die Kabel mit Kabelbindern oder Klebeband. Führen Sie die Kabel nicht über bewegliche Teile. Kabel nicht an der Lenksäule befestigen!
- Achten Sie darauf, dass die Kabel keinen Zug-, Druck- oder Scherkräften ausgesetzt sind.
- Wenn die Kabel durch Bohrungen geführt werden, schützen Sie die Kabel mittels Gummitüllen oder ähnlichem.
- Benutzen Sie zum Abisolieren der Kabel nur eine Abisolierzange. Stellen Sie die Zange so ein, dass keine Litzen beschädigt oder abgetrennt werden.
- Verlöten Sie neu zu schaffende Kabelverbindungen nur im Weichlötverfahren, oder verwenden Sie handelsübliche Quetschverbinder!
- Nehmen Sie Quetschverbindungen nur mit einer Kabelquetschzange vor. Achten Sie auf die Sicherheitshinweise der Handwerkzeughersteller.
- Isolieren Sie freigelegte Litzen so, dass keine Kurzschlüsse entstehen können.

SICHERHEITSHINWEISE

- Achtung: Kurzschlussgefahr durch fehlerhafte Verbindungsstellen oder beschädigte Kabel.
 - Kurzschlüsse im Bordnetz können Kabelbrände, Batterieexplosionen und Beschädigungen an anderen elektronischen Systemen verursachen. Deshalb müssen alle Verbindungen der Spannungsversorgung mit verschweisbaren Stoßverbindern versehen und ausreichend isoliert sein.
- Achten Sie besonders auf einwandfreie Masseverbindungen.
 - Falschanschlüsse können zu Kurzschlüssen führen. Schließen Sie die Kabel nur entsprechend dem elektrischen Anschlussplan an.
 - Bei Betrieb des Gerätes an Netzteilen beachten Sie, dass das Netzteil stabilisiert sein muss und den folgenden Normen entsprechen muss: DIN EN 61000- Teil 6-1 bis 6-4.

INSTALLATION

⚠️ WARNUNG

Bevor Sie beginnen, klemmen Sie den Minuspol der Batterie ab, da Sie sonst einen Kurzschluss riskieren.

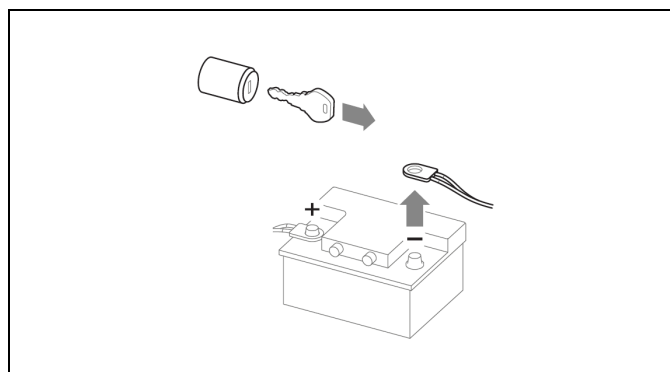
Wenn das Fahrzeug von Zusatzbatterien versorgt wird, müssen Sie auch die Minuspole dieser Batterien abklemmen! Kurzschlüsse können Brände, Batterieexplosionen und Schäden an anderen elektronischen Systemen verursachen. Bitte beachten Sie, dass beim Abklemmen der Batterie alle flüchtigen elektronischen Speicher ihre Eingabewerte verlieren und neu programmiert werden müssen.

VOR DEM ZUSAMMENBAU

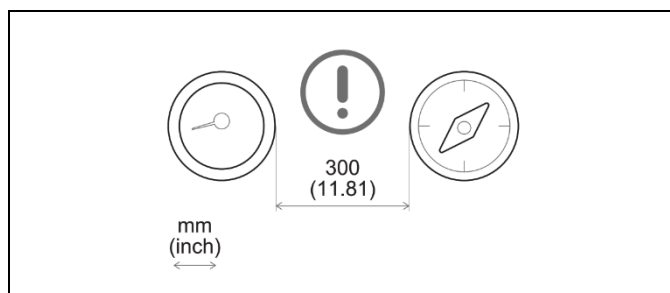
1. Bevor Sie beginnen, schalten Sie die Zündung aus und ziehen Sie den Zündschlüssel aus. Ziehen Sie ggf. den Hauptschalter ab.

Klemmen Sie den Minuspol der Batterie ab. Stellen Sie sicher, dass die Batterie nicht unbeabsichtigt wieder anlaufen kann.

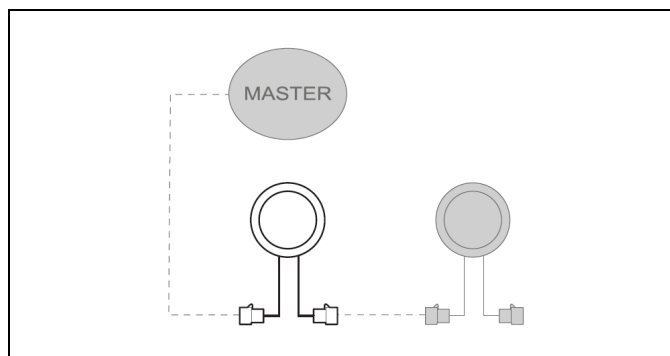
Beachten Sie die Sicherheitshinweise in diesem Dokument.



2. Stellen Sie das Gerät in einem Abstand von mindestens 300 mm zu einem Magnetkompass auf.



3. Beachten Sie, dass das VMH 14 mit einem VMH-Master-Gerät und/oder anderen VMH-14-Geräten verbunden werden muss (maximal 16 Geräte in einer Verkettung pro Master).



EINBAU MIT SPINLOCK

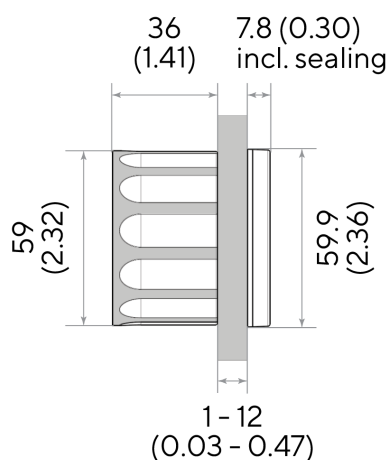
Die Plattenbreite kann zwischen 1 und 12 mm liegen. Das Bohrloch muss einen Durchmesser von 52 mm [A] haben.

⚠️ WARNUNG

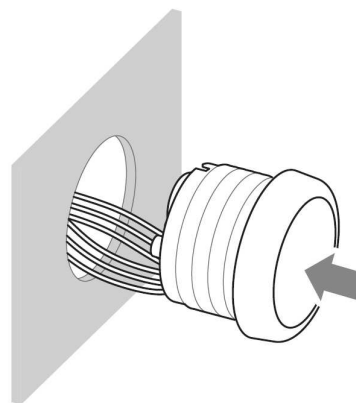
- Bohren Sie keine Löcher oder Öffnungen in tragende oder stabilisierende Streben oder Träger!
- Beachten Sie den notwendigen Freiraum hinter der Bohrung oder dem Anschluss am Einbauort. Erforderliche Einbautiefe: 40 mm.
- Kleine Öffnungen bohren, ggf. mit Kegelfräsen, Säbelsägen, Lochsägen oder Feilen vergrößern und ergänzen. Kanten entgraten. Beachten Sie die Sicherheitshinweise des Werkzeugherstellers.

1. Erstellen Sie ein kreisförmiges Loch in der Platte unter Berücksichtigung der Geräteabmessungen. [A]
2. Entfernen Sie den Spinlock und setzen Sie das Gerät von vorne ein. [B]
3. Stellen Sie den Spinlock wie in Abbildung [C] gezeigt entsprechend der Plattendicke ein.
4. Schrauben Sie den Spinlock vorsichtig mindestens zwei Umdrehungen von Hand ein.
5. Stecken Sie den Stecker ein.

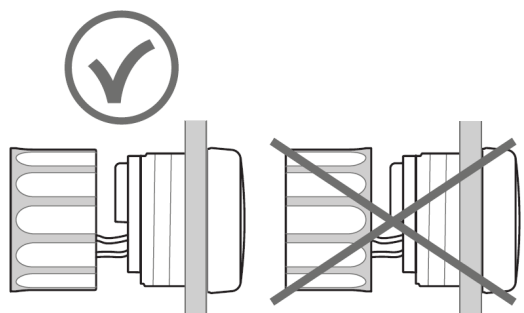
A



B



C

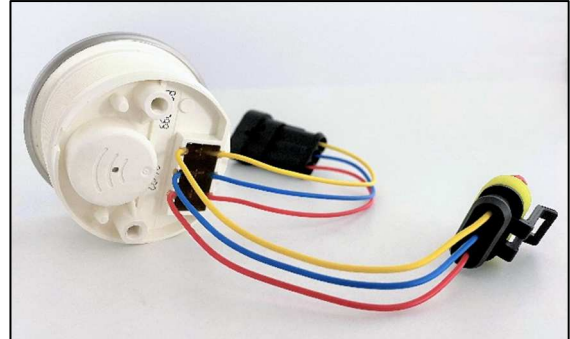


ANSCHLUSS

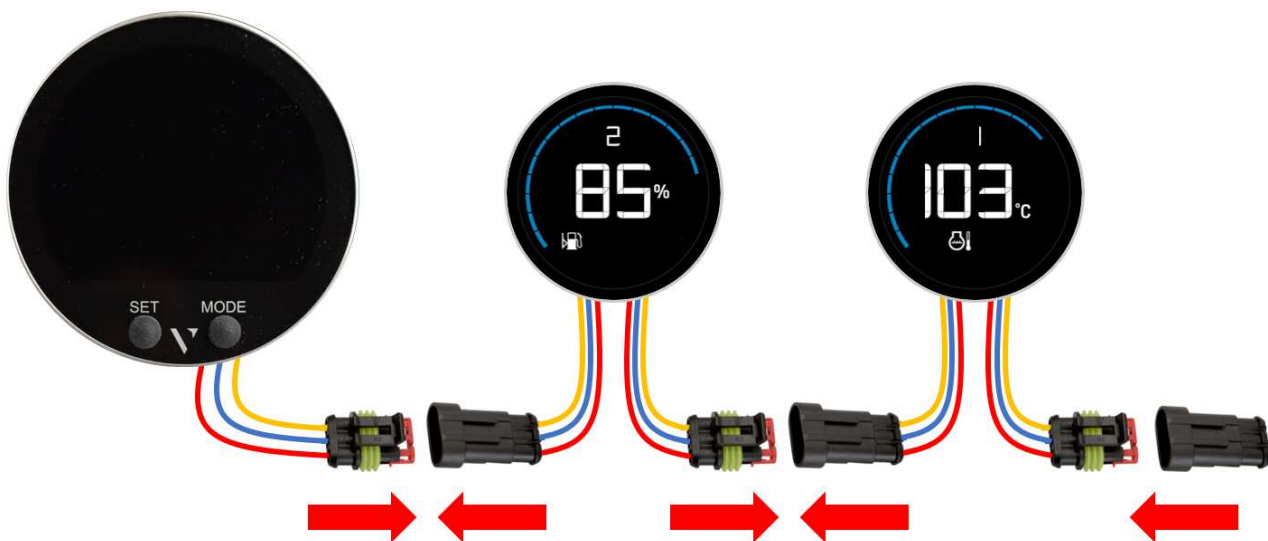
PINBELEGUNG

Das VMH 14 ist auf der Rückseite mit zwei AMP SuperSeal 1.5-Steckverbindern ausgestattet - einem männlichen und einem weiblichen -, um die Verkettung von bis zu 16 Instrumenten in Reihe mit dem Master zu ermöglichen.

Farbe	Beschreibung
Rot	+ 12V
Blau	Masse
Gelb	EasyLink-Daten



EASYLINK-VERBINDUNG



EasyLink-Verbindung mit VMH 35-Master und zwei VMH 14-Satelliten

Nach dem Einbau des Gerätes auf dem Armaturenbrett kann das VMH 14 an die EasyLink-Schnittstelle angeschlossen werden.

Das Gerät kann direkt an den EasyLink-Master angeschlossen werden (wie das VMH 35-Display) oder dank der Daisy-Chain-Architektur in Reihe mit einem weiteren VMH 14-Satelliten.

HINWEIS: Es muss immer ein Master im System vorhanden sein, um die Daten an die Satelliten zu verteilen.

Vergewissern Sie sich, dass die Kontakte hörbar eingerastet sind, damit die Wasserdichtigkeit erhalten bleibt.

Falls die Länge des Kabels nicht ausreicht, um das nächste Gerät zu erreichen, kann die Gesamtlänge mit dem Zubehör EasyLink-Verlängerungskabel A2C59500139 verlängert werden.

Bitte beachten Sie, dass EasyLink keine Verkettungen von mehr als 20 Metern Länge und mit maximal 16 Satellitengeräten zulässt.

Es wird empfohlen, den Blindstecker (der mit dem Hauptinstrument geliefert wird) nach dem letzten Satelliteninstrument anzuschließen, um das Eindringen von Wasser durch den unbenutzten Anschluss zu vermeiden.



DISPLAY LAYOUT

DISPLAYBEREICHE

A: Kreisförmiges Balkendiagramm

Das Balkendiagramm hilft, die angezeigten Schiffsinformationen schneller und intuitiver zu interpretieren. Die Minimal- und Maximalwerte des Balkendiagramms sind über die VMH14-App anpassbar. *(Im Abschnitt Konfigurationen erfahren Sie mehr über den Prozess der Anpassung und die Grenzen der einstellbaren Balkenbereiche.)*

B: Numerischer Wert

Die große Zahl in der Mitte stellt den gemessenen Wert dar.

C: Einheit

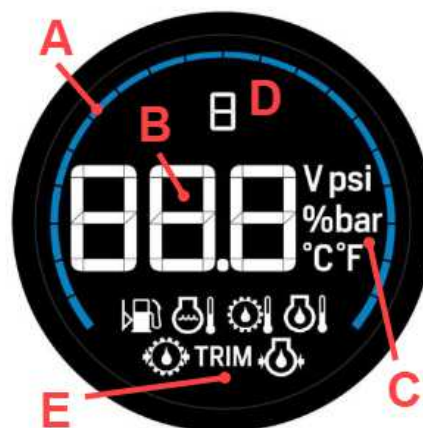
Die Maßeinheit wird direkt neben dem numerischen Messwert angezeigt.

D: Instanz

Bei einigen Datentypen ist es möglich, dass mehrere verschiedene Werte auf dem EasyLink-Bus verfügbar sind. Die Zahl im "Bereich D" stellt die Instanz-Nummer des Wertes dar, der gerade angezeigt wird. Dies bedeutet, dass je nach Datentyp die Motornummer/Tanknummer/etc.

E: Datentyp Symbol

Am unteren Rand der Anzeige befindet sich ein Symbol, das den aktuell ausgewählten Datentyp darstellt. Im Abschnitt Konfiguration finden Sie alle anzeigbaren Werte und die dazugehörigen Symbole.



ALARMANZEIGE

Das Display kann anzeigen, dass der empfangene Wert einen bestimmten Schwellenwert über- oder unterschritten hat. In diesem Fall beginnen die Balkengrafik und der numerische Wert mit einer Frequenz von 1 Hz zu blinken.

Weitere Informationen über die Alarmeinstellungen und deren Konfiguration finden Sie im Abschnitt "Konfiguration".

KONFIGURATION

VMH 14 CONFIGURATOR APP

Um das VMH 14 zu konfigurieren, müssen einige Parameter kalibriert werden, z. B. der anzuzeigende Datentyp, der Bereich des Balkendiagramms und die Alarme sowie deren Schwellwerte.

Dies ist über die Smartphone-App "VMH 14" möglich, die kostenlos in den Stores von Android- und iOS-Geräten heruntergeladen werden kann.

Eine einfache und detaillierte Erklärung des Konfigurationsprozesses ist auch als In-App-Anleitung verfügbar.

Dank der eingebetteten passiven NFC-Antenne kann das VMH 14, wie unten beschrieben, ohne Stromversorgung programmiert werden.



VMH 14 CONFIGURATOR



Die Einrichtung des VMH 14 ist ein einfacher Drei-Schritte-Prozess. Bitte denken Sie daran, dass das Gerät ausgelesen werden muss, bevor die Konfiguration geändert und auf das Gerät übertragen werden kann.

1. LESEN



2. KONFIGURIEREN



3. SCHREIBEN



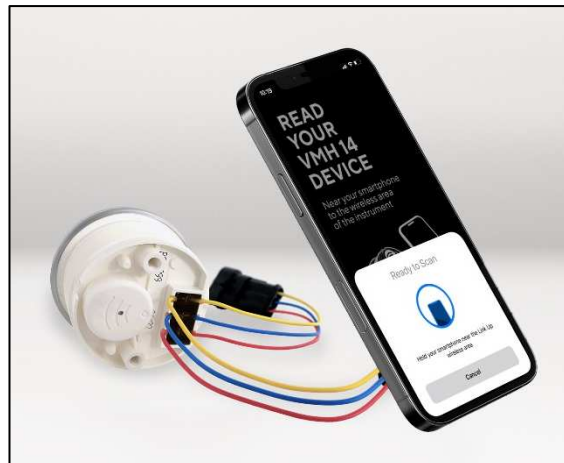
VMH 14 KONFIGURATION

1. DIE KONFIGURATION DES VMH 14 ABLESEN

Starten Sie die App "VMH 14" und lesen Sie die aktuelle Konfiguration des Geräts aus, indem Sie das Smartphone auf das NFC-Symbol auf der Geräterückseite "tippen".

Der READ-Vorgang ist obligatorisch, bevor der WRITE-Vorgang zulässig ist.

Nach dem Auslesen wird die App auf die aktuelle Konfiguration eingestellt.

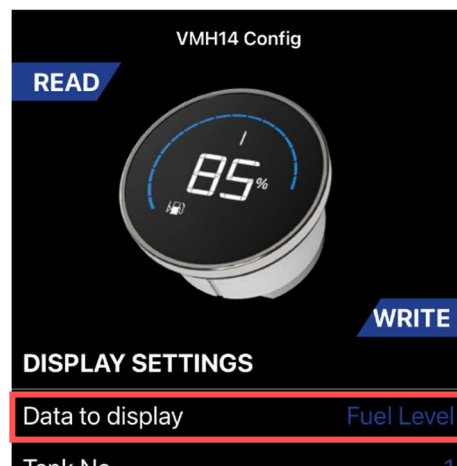


HINWEIS: Die Position der Antenne auf dem Smartphone hängt vom jeweiligen Modell ab. Bitte beachten Sie das Handbuch des Smartphone-Herstellers.

2. Gerätetyp auswählen

Tippen Sie auf das Element "Data to display" im Abschnitt "Display Settings", um die Daten auszuwählen, die Sie auf dem VMH 14 anzeigen möchten.

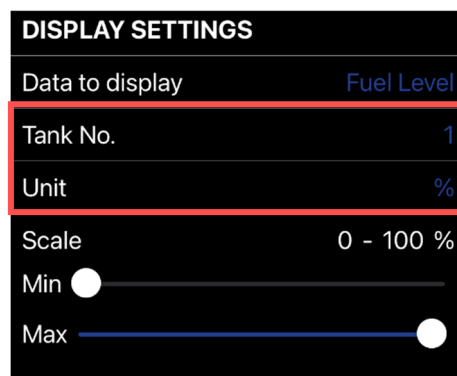
Hinweis: Die vollständige Liste der unterstützten Geräte-Typen finden Sie in der Tabelle "Unterstützte Konfigurationen" in diesem Dokument.



3. EINHEITEN UND INSTANZ FESTLEGEN

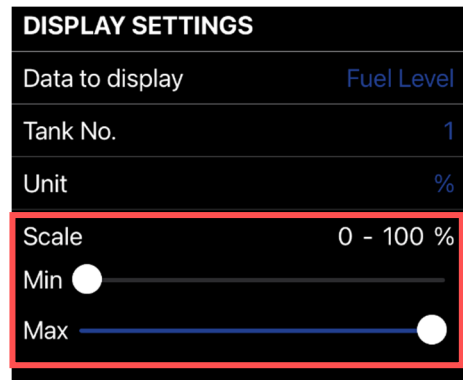
Legen Sie die Einheit für den angezeigten Wert fest, wenn mehr als eine verfügbar ist (siehe Tabelle "Unterstützte Konfigurationen").

Stellen Sie die Instanz für den angezeigten Wert (z.B. Motor-Nr. oder Tank-Nr.) ein, damit die VMH 14 Ihre Daten auch auf dem Display anzeigt.



4. BALKENDIAGRAMM-EINSTELLUNGEN

Man kann einstellen, welche Werte die Skala des Balkendiagramms abdecken soll. Bewegen Sie dafür die beiden Schieber auf die gewünschte Position.



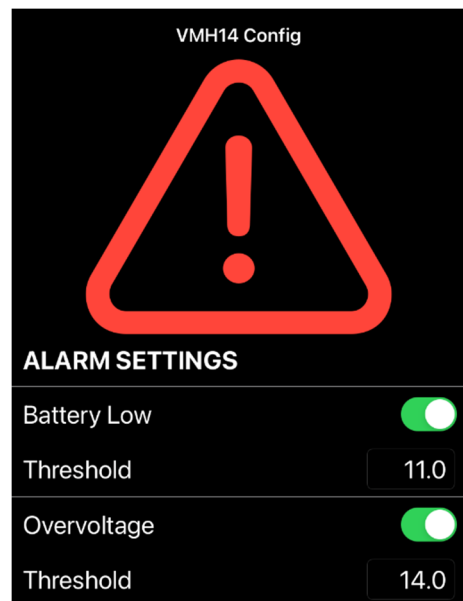
5. DEN ALARM KONFIGURIEREN

Der Alarm kann mit den Schaltern auf der rechten Seite der jeweiligen Alarmbeschreibung aktiviert oder deaktiviert werden.

Sobald der Alarm aktiviert ist, kann in dem dafür vorgesehenen Feld ein Schwellwert festgelegt werden.

Die Masseinheit für den Schwellwert ist dieselbe Einheit wie in Schritt 3 definiert.

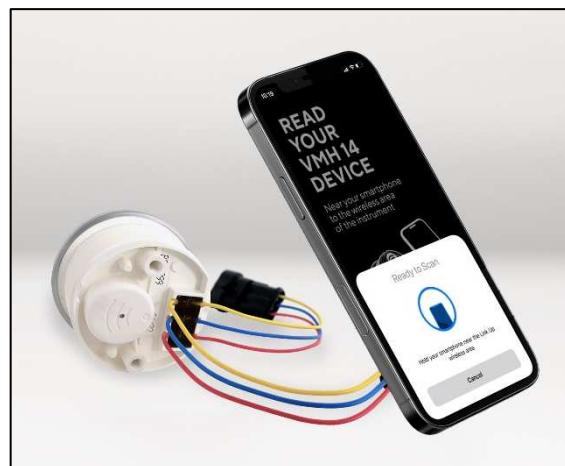
Hinweis: Die Richtung der Alarmschwelle (aktiv bei Überschreiten oder aktiv bei Unterschreiten) ist statisch festgelegt (siehe Tabelle "Alarmeinstellungen").









6. KONFIGURATION AUF DAS VMH 14 LADEN

Sobald die Konfiguration abgeschlossen ist, können Sie sie auf das VMH 14 hochladen.

Drücken Sie die "WRITE"-Taste oben/rechts auf dem App-Bildschirm und nähern Sie sich mit dem Smartphone wieder dem vorgesehenen NFC-Bereich des VMH-Geräts.



UNTERSTÜTZTE KONFIGURATIONEN

Gerätetyp	Symbol	Einheit	Balkendiagramm Bereich
Kraftstoffstand (Werkseinstellung)		%	0 - 100 % Werkseinstellung: 0 - 100 %.
Trimmung	TRIM	%	0 - 100 % Werkseinstellung: 0 - 100 %.
Kühlmitteltemperatur		°C °F	0 - 200 °C Werkseinstellung: 40 - 120 °C
Motoröldruck		bar PSI	0 - 30 bar Werkseinstellung: 0 - 10 bar
Motoröltemperatur		°C °F	0 - 200 °C Werkseinstellung: 0 - 150 °C
Getriebeöldruck		bar PSI	0 - 30 bar Werkseinstellung: 0 - 25 bar
Getriebeöltemperatur		°C °F	0 - 200 °C Werkseinstellung: 0 - 150 °C
Spannungsmesser	-	V	0 - 30 V Werkseinstellung: 11 - 14 V

* Die unterstützten Konfigurationen können jederzeit aktualisiert werden. Bitte stellen Sie sicher, dass Sie immer die neueste App-Version verwenden.

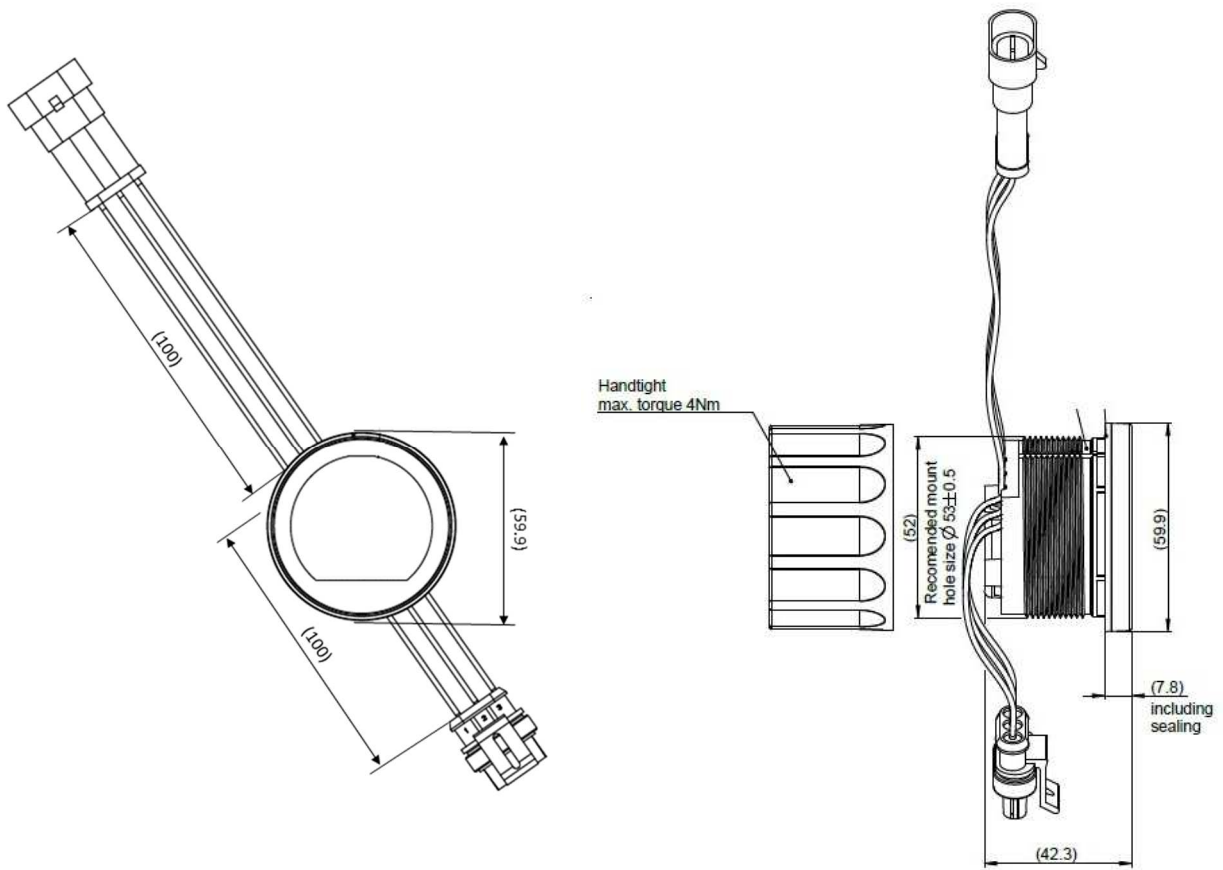
ALARM-EINSTELLUNGEN

Gerätetyp	Alarmbeschreibung	Alarm ausgelöst...	Mögliche Schwellenwerte
Kraftstoffstand	Niedriger Kraftstoffstand	unter der Schwelle	0 - 100 %
Kühlmitteltemperatur	Übertemperatur des Motors	über der Schwelle	0 - 200 °C
Motoröltemperatur	Hohe Öltemperatur	über der Schwelle	0 - 200 °C
Motoröldruck	Niedriger Öldruck	unter der Schwelle	0 - 30 bar
Getriebeöltemperatur	Hohe Getriebeöltemperatur	über der Schwelle	0 - 200 °C
Getriebeöldruck	Niedrige Getriebeöltemperatur	unter der Schwelle	0 - 30 bar
Spannungsmesser	Batterie schwach	unter der Schwelle	0 - 30 V
	Überspannung	über der Schwelle	0 - 30 V
Trimmung	Motor neigen	über der Schwelle	0 - 100 %

TECHNISCHE DATEN

DATENBLATT

Nennspannung	12 V / 24 V (vom EasyLink-Anschluss)
Konnektivität	EasyLink, NFC
Programmierschnittstelle	NFC
Schutzklasse	IP X7 gemäß IEC60529
Display	Optisch Verbundener IBN Segment-Display
Glas	Mineralglas
Gehäuse	Ø52 mm - Polycarbonat (PC), flammhemmend nach UL94-V0
Erforderliche Einbautiefe	40 mm
Frontring	Gebürsteter, rostfreier Stahl
Betriebstemperatur	-20°C bis +60°C
Lagertemperatur	-30°C bis +80°C
Anschluss	AMP SuperSeal 1.5 P/N Männlich: 282105-1 P/N Buchse: 282087-1
Montage	Spinlock-Mutter - Sicherungshöhe 0,5 - 20 mm
Zertifizierungen	CE, UKCA, Reach, RoHS, UL94-V0



ZUBEHÖR

Zubehör	Teil Nummer
EasyLink Verlängerungskabel	A2C59500139
Spinlock-Mutter 52 mm	A2C52059471
52 mm Gummidichtung	A2C53194838

Eine vollständige Liste des Zubehörs finden Sie unter <http://www.veratron.com>.



veratron AG T +41 71 7679 111
Industriestraße 18 info@veratron.com
9464 Rüthi, Schweiz veratron.com

Jegliche Verbreitung, Übersetzung oder Vervielfältigung, ganz oder teilweise, des Dokuments ist strengstens untersagt, es sei denn, es liegt eine schriftliche Genehmigung der Veratron AG vor, mit Ausnahme der folgenden Maßnahmen:

- Drucken des Dokuments in seinem ursprünglichen Format, ganz oder teilweise.
- Kopieren von Inhalten ohne Änderungen und unter Angabe der Veratron AG als Urheberin.

Veratron AG behält sich das Recht vor, ohne Vorankündigung Änderungen oder Verbesserungen an der entsprechenden Dokumentation vorzunehmen.

Anfragen zur Autorisierung, zu zusätzlichen Kopien dieses Handbuchs oder zu technischen Informationen über dieses Handbuch sind an die Veratron AG zu richten.

VMH SERIES

VMH 14

MANUALE UTENTE
rev. AA



EN

DE

IT

FR

ES



INDICE

Introduzione	3
Contenuto dell'imballaggio	3
Lo Strumento All-in-one	3
Configurazione Wireless	3
Informazioni per la sicurezza	4
Sicurezza durante il Montaggio	4
Sicurezza dopo il Montaggio	5
Collegamento Elettrico	5
Installazione	7
Prima di Iniziare	7
Installazione con Spinlock	8
Collegamento	9
Piediantura dei Connettori	9
Collegamento EasyLink	9
Layout del display	11
Visualizzazione dell'allarme	11
Configurazione	12
VMH 14 smartphone App	12
Configurazione del VMH 14	13
Configurazioni supportate	15
Impostazioni dell'allarme	15
Dati tecnici	16
Datasheet	16
Disegno tecnico	17
Accessori	18

INTRODUZIONE

CONTENUTO DELL'IMBALLAGGIO



1x VMH 14
B001099



1x Guarnizione in gomma 52mm
A2C53194838



1x Spinlock di fissaggio 52 mm
A2C52059471



1x Veratron card
B000101



1x Manuale di sicurezza
B000100

LO STRUMENTO ALL-IN-ONE

Il display VMH 14 può essere facilmente configurato per essere lo strumento di cui hai bisogno - grazie al suo display leggibile al sole incorporato in un alloggiamento standard da 52 mm con l'elegante look della serie VMH.

L'interfaccia EasyLink permette al dispositivo di visualizzare una varietà di tipi di dati diversi,

ricevuti da qualsiasi dispositivo master VMH o OceanLink.

Il design grafico semplice ma efficace presenta i dati in una forma chiara e intuitiva. Inoltre, la barra rotonda personalizzabile e le visualizzazioni degli allarmi permettono di interpretare al meglio i dati visualizzati.

CONFIGURAZIONE WIRELESS

Grazie alla configurazione wireless puoi comodamente configurare il tuo strumento all-in-one con il tuo smartphone!

Lancia l'app dedicata e definisci le tue impostazioni attraverso l'intuitiva interfaccia, poi avvicina semplicemente il tuo dispositivo mobile

allo strumento VMH 14 per trasferire la configurazione istantaneamente.

Grazie al ricevitore passivo incorporato la configurazione può essere trasferita senza alimentazione!

INFORMAZIONI PER LA SICUREZZA

ATTENZIONE

- Vietato fumare! Niente fiamme libere o fonti di calore!

- Il prodotto è stato messo a punto, fabbricato e controllato secondo i requisiti fondamentali di sicurezza della direttiva CE e in base agli standard tecnici comunemente accettati.
- Questo prodotto è stato progettato per l'utilizzo su imbarcazioni da diporto e non per utilizzo professionale.
- L'apparecchio è destinato all'uso in veicoli e macchine messi a terra e per l'uso nella navigazione sportiva compresa quella professionale non classificata.
- Utilizzare il prodotto esclusivamente per l'uso per cui è previsto. Le conseguenze di un utilizzo improprio del prodotto possono causare lesioni a persone e danni a cose o all'ambiente. Prima del montaggio accertarsi del tipo di veicolo e della presenza di eventuali particolarità deducendo i dati necessari dai documenti del veicolo!
- Accertarsi in base ai disegni costruttivi della posizione dei condotti del carburante/della parte idraulica/ dei condotti elettrici e dell'aria compressa!
- Tenere conto nel montaggio di eventuali modifiche apportate al veicolo.
- Per effettuare il montaggio è necessario avere nozioni di base in campo automobilistico/nella parte elettrica e meccanica delle costruzioni navali allo scopo di evitare lesioni a persone, danni a cose e all'ambiente.
- Accertarsi che sia impossibile mettere inavvertitamente in moto il motore durante le operazioni di montaggio!
- Modifiche o manipolazioni del prodotto veratron possono compromettere la sicurezza. Non sono pertanto ammesse manovre di modifica o manipolazione.
- Per il montaggio/lo smontaggio dei sedili, ricoperture ecc. accertarsi di non danneggiare cavi né staccare collegamenti a spina.
- Annotare tutti i dati relativi ad altri apparecchi installati con memoria elettronica transitoria.

SICUREZZA DURANTE IL MONTAGGIO

- Nell'esecuzione del montaggio accertarsi che i componenti del prodotto non condizionino né compromettano le funzioni del veicolo e che non si danneggino!
- Montare esclusivamente pezzi integri sul veicolo!
- Durante il montaggio accertarsi che il campo visivo non venga compromesso dal prodotto e che il prodotto non venga posizionato in un punto in cui possa entrare in collisione con la testa del conducente e del passeggero.
- Far eseguire il montaggio del prodotto da un addetto specializzato. Se si desidera effettuare personalmente il montaggio indossare abbigliamento da lavoro adeguato non largo perché potrebbe impigliarsi nelle parti mobili. Se necessario indossare una retina per i capelli lunghi.
- Per lavorare alla parte elettrica di bordo non portare gioielli metallici o in materiale conduttore come collane, bracciali, anelli ecc.
- Prestare particolare cautela allo svolgimento di eventuali lavori con il motore acceso. Portare solo abbigliamento da lavoro adeguato per evitare possibili rischi di lesioni da schiacciamento o scottatura.
- Prima di iniziare a lavorare staccare il morsetto del polo negativo della batteria per evitare il

rischio di corto circuito. Se il veicolo è dotato di batterie supplementari occorre staccare eventualmente anche il polo negativo di tutte le batterie. I corti circuiti possono bruciare i cavi, far esplodere le batterie e causare danni ad altri sistemi elettronici. Ricordarsi che staccando la batteria tutti i dati inseriti nella memoria elettronica transitoria andranno persi e dovranno essere riprogrammati.

- Nelle barche con motore a benzina accendere il ventilatore del motore prima di iniziare a lavorare al vano motore.
- Attenzione al percorso di cavi o fasci di fili per evitare di danneggiarli durante operazioni di perforazione e taglio con la sega!
- Non effettuare il montaggio nella parte meccanica ed elettrica dell'airbag!
- Non praticare fori né aperture in sostegni o longheroni portanti o stabilizzanti!
- Prima di lavorare sotto il veicolo metterlo in sicurezza come indicato dal produttore.
- Il punto in cui effettuare il montaggio deve avere uno spazio libero sufficiente dietro i fori o le aperture di montaggio. La profondità di lavoro necessaria è di 65 mm.
- Praticare dei fori piccoli con il trapano, utilizzando una fresa conica eventualmente

ingrandirli con una fresatura conica, con una sega da traforo, una sega a coda o con una lima e rifinirli. Sbavare i bordi. Attenersi assolutamente alle indicazioni di sicurezza del produttore dell'utensile.

- Per i lavori per cui è necessario interrompere la tensione utilizzare esclusivamente un utensile isolato.
- Per la misurazione della tensione e della corrente nel veicolo/macchina o barca utilizzare solo l'apposito multimetro o lampade di controllo a diodi. L'impiego delle tradizionali lampade di controllo può causare danni agli apparecchi di controllo o ad altri sistemi elettronici.
- Le uscite elettriche degli indicatori e i cavi collegati non devono essere a contatto diretto e devono essere protette da possibili danneggiamenti. A questo scopo i cavi utilizzati devono essere sufficientemente isolati e avere una sufficiente resistenza alla tensione. I punti di contatto devono essere sicuri se toccati.
- Anche le parti conduttrici elettriche del dispositivo assorbitore di corrente collegato vanno protette dal contatto diretto mediante adeguate misure. È vietata la posa di cavi metallici e contatti non rivestiti.

SICUREZZA DOPO IL MONTAGGIO

- Il cavo di massa sia ben fisso al polo negativo della batteria.
- Riprogrammare/programmare i valori della memoria elettronica transitoria.
- Verificare tutte le funzioni.
- Per la pulizia dei componenti utilizzare solo acqua pulita. Rispettare i tipi di protezione IP (IEC 60529).

COLLEGAMENTO ELETTRICO

- Utilizzare solo il cavo con la sezione richiesta!
- Riducendo la sezione del diametro del cavo si ottiene una maggiore densità della corrente con conseguente riscaldamento della parte di cavo interessata!
- Nella posa dei cavi elettrici utilizzare le canaline e le fascette di cavi presenti non mettendo però i cavi parallelamente a quelli dell'accensione o parallelamente a quelli di dispositivi che assorbono molta corrente.
- Fissare i cavi con le apposite fascette o nastri. Non farli passare su parti mobili e non fissarli al piantone dello sterzo!
- Assicurarsi che i cavi non siano esposti a trazioni, pressioni o a condizioni in cui possano essere recisi.
- Se i cavi passano attraverso i fori proteggerli con passanti isolanti in gomma o simili.
- Per isolare i cavi utilizzare una pinza isolante maneggiandola in modo da evitare danni o tagli di cavetti.

INFORMAZIONI PER LA SICUREZZA

- Unire i nuovi collegamenti praticati tra i cavi solo con saldature dolci o utilizzare il collegamento a pressione comunemente in commercio!
- Effettuare i collegamenti a pressione solo con una pinza pressacavi attenendosi alle indicazioni di sicurezza del produttore dell'utensile.
- Isolare i cavetti liberi per evitare corto circuiti.
- **Attenzione:** pericolo di corto circuito causato da collegamenti difettosi o cavi danneggiati.
- I corto circuiti alla rete di bordo possono bruciare cavi, causare esplosioni delle batterie e danni di altri sistemi elettronici, perciò tutti i collegamenti dell'alimentazione di tensione vanno dotati di giunti di testa saldabili e devono essere sufficientemente isolati.
- Verificare in particolare l'efficienza dei collegamenti a massa.
- I collegamenti sbagliati possono causare corto circuiti. Collegare i cavi solo seguendo lo schema elettrico degli attacchi.
- Per il funzionamento dell'apparecchio con alimentatori di rete assicurarsi che gli alimentatori siano stabili e che siano stati prodotti in conformità alle seguenti norme: DIN EN 61000 – parte 6-1 fino al punto 6-4.

INSTALLAZIONE

⚠ ATTENZIONE

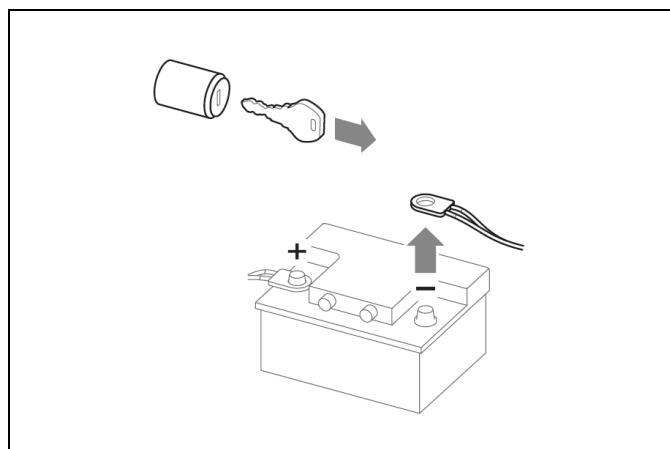
Prima di iniziare a lavorare staccare il morsetto del polo negativo della batteria per evitare il rischio di corto circuito. Se il veicolo è dotato di batterie supplementari occorre staccare eventualmente anche il polo negativo di tutte le batterie. I corti circuiti possono bruciare i cavi, far esplodere le batterie e causare danni ad altri sistemi elettronici. Ricordarsi che staccando la batteria tutti i dati inseriti nella memoria elettronica transitoria andranno persi e dovranno essere riprogrammati.

PRIMA DI INIZIARE

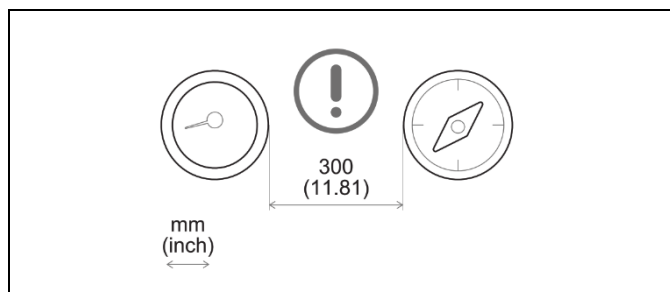
1. Prima di iniziare, spegnere l'accensione e rimuovere la chiave di accensione. Se necessario, scollegare l'interruttore principale.

Scollegare il terminale negativo della batteria. Assicurarsi che la batteria non possa ricollegarsi involontariamente.

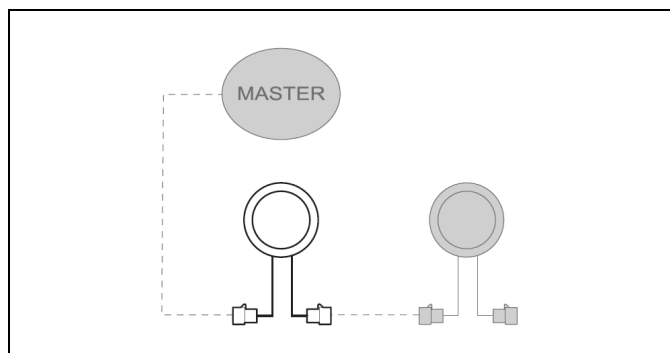
Fare riferimento alle istruzioni di sicurezza di questo documento.



2. Posizionare il dispositivo ad almeno 300 mm di distanza da qualsiasi bussola magnetica.



3. Si consideri che il dispositivo deve essere collegato ad un dispositivo master VMH e/o ad altri satelliti VMH 14 (massimo 16 strumenti in cascata per ogni master).



INSTALLAZIONE CON SPINLOCK

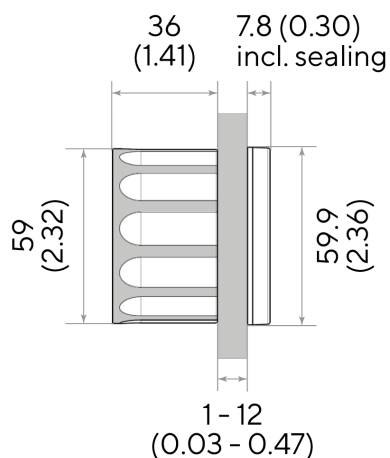
La larghezza del pannello può essere compresa tra 1 e 12 mm. Il foro deve avere un diametro di 52 mm [A].

⚠ ATTENZIONE

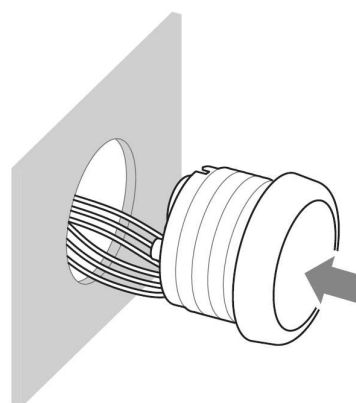
- Non praticare fori né aperture di montaggio in sostegni o longheroni portanti o stabilizzanti!
- Il punto in cui effettuare il montaggio deve avere uno spazio libero sufficiente dietro i fori o le aperture di montaggio. La profondità di montaggio minima necessaria è di 40 mm.
- Praticare dei fori piccoli con il trapano, eventualmente ingrandirli utilizzando una fresa conica, una sega da traforo, sega a coda o una lima e rifinirli. Sbavare i bordi. Attenersi assolutamente alle indicazioni di sicurezza del produttore dell'utensile.

1. Creare un foro circolare nel pannello considerando le dimensioni del dispositivo. [A]
2. Rimuovere lo spinlock e inserire il dispositivo dalla parte anteriore. [B]
3. Regolare lo spinlock come mostrato in figura [C] in base allo spessore del pannello.
4. Avvitare accuratamente lo spinlock a mano per almeno due giri.
5. Inserire il connettore.

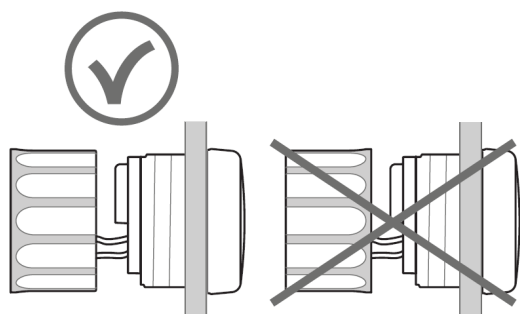
A



B



C

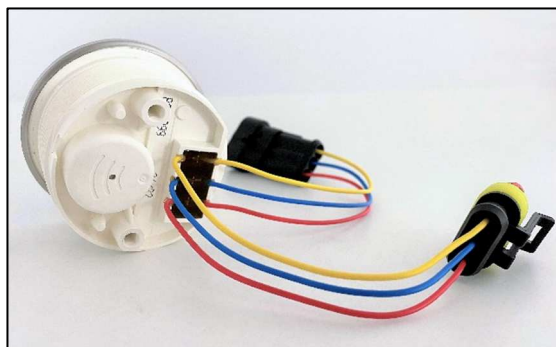


COLLEGAMENTO

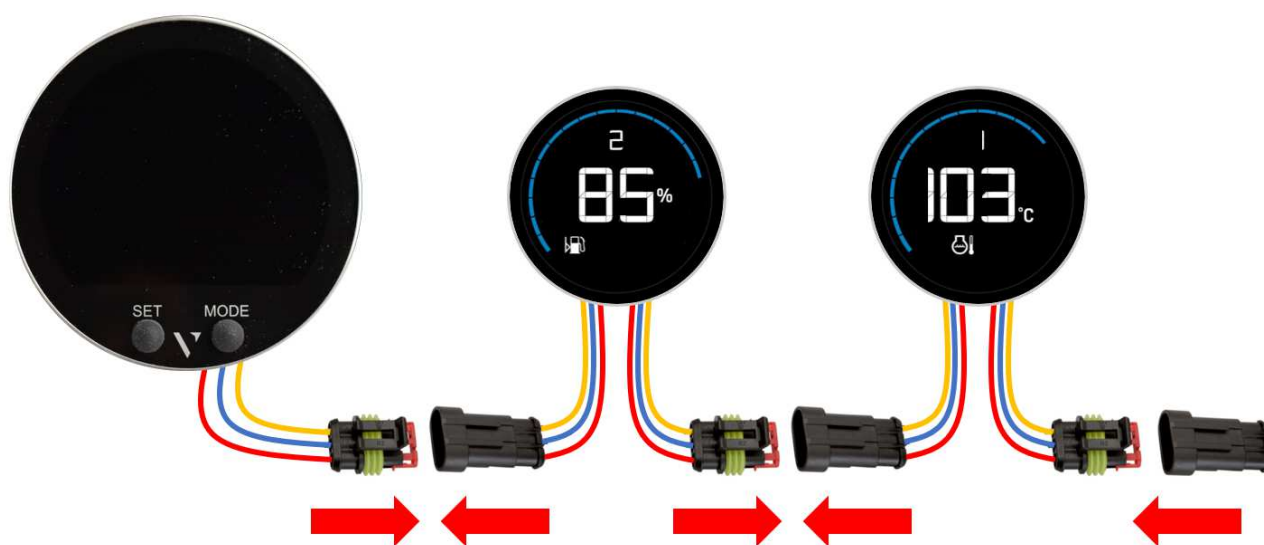
PIEDANTURA DEI CONNETTORI

Il display VMH 14 è progettato con due connettori AMP SuperSeal 1.5 - uno maschio e uno femmina - per consentire il collegamento in cascata di un massimo di 16 strumenti in serie al master.

Colore	Descrizione
Rosso	Positivo alimentazione 12V
Blu	Massa
Giallo	Dati EasyLink



COLLEGAMENTO EASYLINK



Collegamento EasyLink con il master VMH 35 e due satelliti VMH 14 in cascata

Una volta completata l'installazione a pannello è possibile collegare il VMH 14 all'interfaccia EasyLink.

Il dispositivo può essere collegato direttamente al master (come il display VMH 35), o in serie ad un altro satellite VMH 14 grazie all'architettura EasyLink.

NOTA: Un master deve essere sempre presente nel sistema per distribuire i dati ai satelliti.

Assicurarsi che le connessioni siano saldamente effettuate in modo udibile per preservarne la tenuta stagna.

Nel caso in cui la lunghezza del cavo non sia sufficiente per raggiungere il dispositivo successivo, è possibile estenderne la lunghezza utilizzando la prolunga EasyLink A2C59500139.

Si prega di notare che la rete EasyLink non permette estensioni più lunghe di 20 metri, con un massimo di 16 dispositivi satellite collegati in cascata tra di loro.

Si raccomanda di collegare il connettore stagno (fornito con lo strumento master) dopo l'ultimo strumento satellite per evitare l'intrusione di acqua attraverso il connettore non utilizzato.



LAYOUT DEL DISPLAY

A. Grafico a barre

Il grafico a barre aiuta a interpretare in modo più rapido e intuitivo le informazioni visualizzate sul display.

I valori minimo e massimo del grafico a barre sono configurabili tramite l'app VMH 14.

(Fare riferimento alla sezione Configurazioni per saperne di più sul processo di personalizzazione e sulle limitazioni degli intervalli del grafico a barre)

B. Valore numerico

Il numero grande al centro rappresenta il valore misurato.

C. Unità di misura

L'unità di misura viene visualizzata accanto al valore numerico della misura.

D. Identificativo

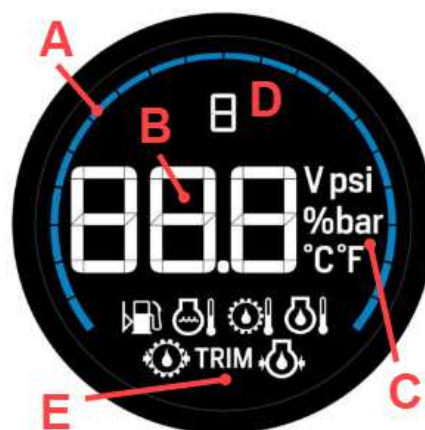
Per alcuni tipi di dato è possibile che ci siano diversi valori disponibili sul bus EasyLink.

L'identificativo rappresenta l'istanza del valore attualmente visualizzato (numero del motore, numero del serbatoio, ecc.).

E. Simbolo dal dato visualizzato

Nella parte inferiore del display è rappresentato il simbolo ISO del tipo di dato attualmente selezionato.

Fare riferimento alla sezione Configurazione per vedere tutti i valori visualizzabili e i relativi simboli.



VISUALIZZAZIONE DELL'ALLARME

Il display può indicare che il valore ricevuto ha superato o è sceso sotto una certa soglia. In questo caso, il grafico a barre e il valore numerico inizieranno a lampeggiare con una frequenza di 1Hz.

Maggiori informazioni sulle impostazioni degli allarmi e su come configurarli si trovano nella sezione "Configurazione".

CONFIGURAZIONE

VMH 14 SMARTPHONE APP

Per configurare il VMH 14 alcuni parametri devono essere calibrati, come il dato da visualizzare, i limiti del grafico a barre e gli allarmi con le loro soglie.

Questo è possibile attraverso l'App per smartphone "VMH 14", che può essere scaricata gratuitamente dagli store per dispositivi Android e iOS.

Una spiegazione semplice e dettagliata del processo di configurazione è anche disponibile come istruzioni all'interno dell'App stessa.

Grazie al ricevitore wireless passivo incorporato, il VMH 14 può essere configurato, come descritto di seguito, senza bisogno di alimentazione.



VMH 14



La configurazione del dispositivo VMH 14 è un processo intuitivo in tre fasi.

Si ricorda che è necessario LEGGERE dal dispositivo prima di poter modificare e scaricare la nuova configurazione.

1. LETTURA



2. CONFIGURAZIONE



3. SCRITTURA



CONFIGURAZIONE DEL VMH 14

1. LEGGERE LA CONFIGURAZIONE

Lanciare l'App "VMH 14" e leggere la configurazione attuale del dispositivo avvicinando lo smartphone allo strumento nel punto indicato sul retro di esso.

L'operazione READ è obbligatoria prima che sia permessa l'operazione WRITE.

Dopo la lettura, l'App mostrerà la configurazione attuale.

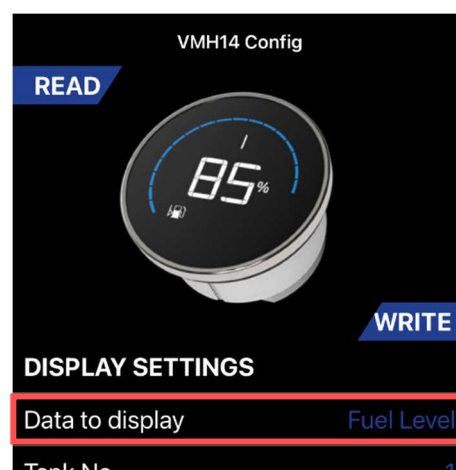
NOTA: La posizione dell'antenna sullo smartphone dipende dal modello. Si prega di fare riferimento al manuale del produttore dello smartphone.



2. SELEZIONARE IL DATO DA VISUALIZZARE

Tramite la voce "Data to display" nella sezione "Display Settings" è possibile scegliere il dato che si desidera visualizzare sul VMH 14.

NOTA: La lista completa dei tipi di dato supportati è riportata nella tabella "Configurazioni supportate" di questo documento.

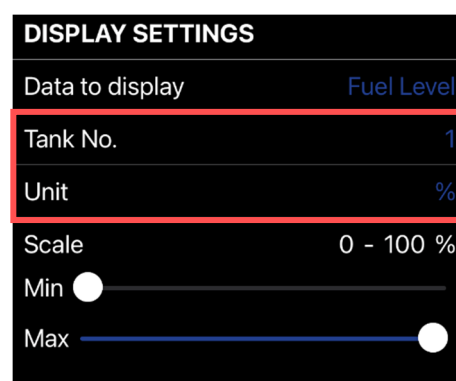


3. IMPOSTARE L'UNITÀ E L'IDENTIFICATIVO

Definire l'unità per il valore visualizzato se più di una è disponibile (vedi tabella "Configurazioni supportate").

Impostare l'identificativo del dato visualizzato (es. Engine No. o Tank No.).

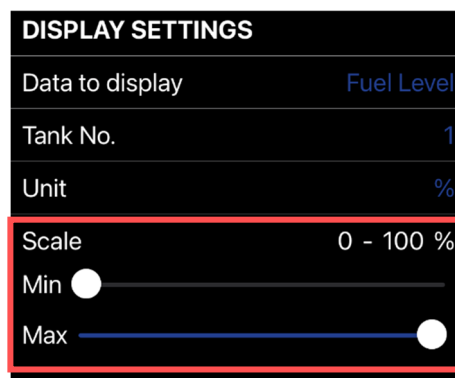
NOTA: L'identificativo rappresenta l'istanza del valore attualmente visualizzato (numero del motore, numero del serbatoio, ecc.).



4. IMPOSTARE IL GRAFICO A BARRE

È possibile personalizzare la gamma di valori che il grafico a barre è in grado di visualizzare (minimo e massimo).

Per farlo, agire sui cursori nella sezione "Scale" della App.



5. CONFIGURARE L'ALLARME

Un allarme (o più allarmi, se disponibili) può essere attivato o disattivato utilizzando gli interruttori posti sul lato destro in prossimità della descrizione dell'allarme.

Una volta attivato, è necessario impostarne la soglia tramite il campo numerico dedicato. L'unità di misura per la soglia è la stessa unità di misura definita al passo 3.

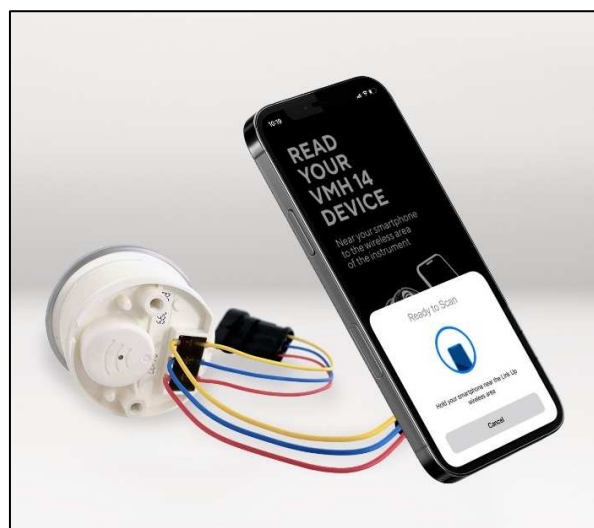
NOTA: la direzione della soglia d'allarme (allarme attivo alto o attivo basso) è definita staticamente (vedi tabella "Alarm Settings").






6. CARICARE LA CONFIGURAZIONE SUL DISPOSITIVO

Una volta completata la configurazione, è possibile caricarla sul dispositivo VMH 14.

Premere il pulsante "WRITE" posto in alto a destra della schermata dell'App e avvicinare nuovamente lo smartphone all'area wireless dedicata sul retro del dispositivo.



CONFIGURAZIONI SUPPORTATE

Tipo di dato	Simbolo	Unità	Intervallo del grafico a barre
Livello carburante (default)		%	0 - 100 % Default: 0 - 100
Trim	TRIM	%	0 - 100 % Default: 0 - 100
Temperatura del refrigerante		°C °F	0 - 200 °C Default: 40 - 120 °C
Pressione dell'olio motore		bar PSI	0 - 30 bar Default: 0 - 10 bar
Temperatura dell'olio motore		°C °F	0 - 200 °C Default: 0 - 150 °C
Pressione dell'olio della trasmissione		bar PSI	0 - 30 bar Default: 0 - 25 bar
Temperatura dell'olio della trasmissione		°C °F	0 - 200 °C Default: 0 - 150 °C
Voltmetro	-	V	0 - 30 V Default: 11 - 14 V

* Le configurazioni supportate possono essere aggiornate in qualsiasi momento. Assicurarsi di utilizzare sempre l'ultima versione dell'App.

IMPOSTAZIONI DELL'ALLARME

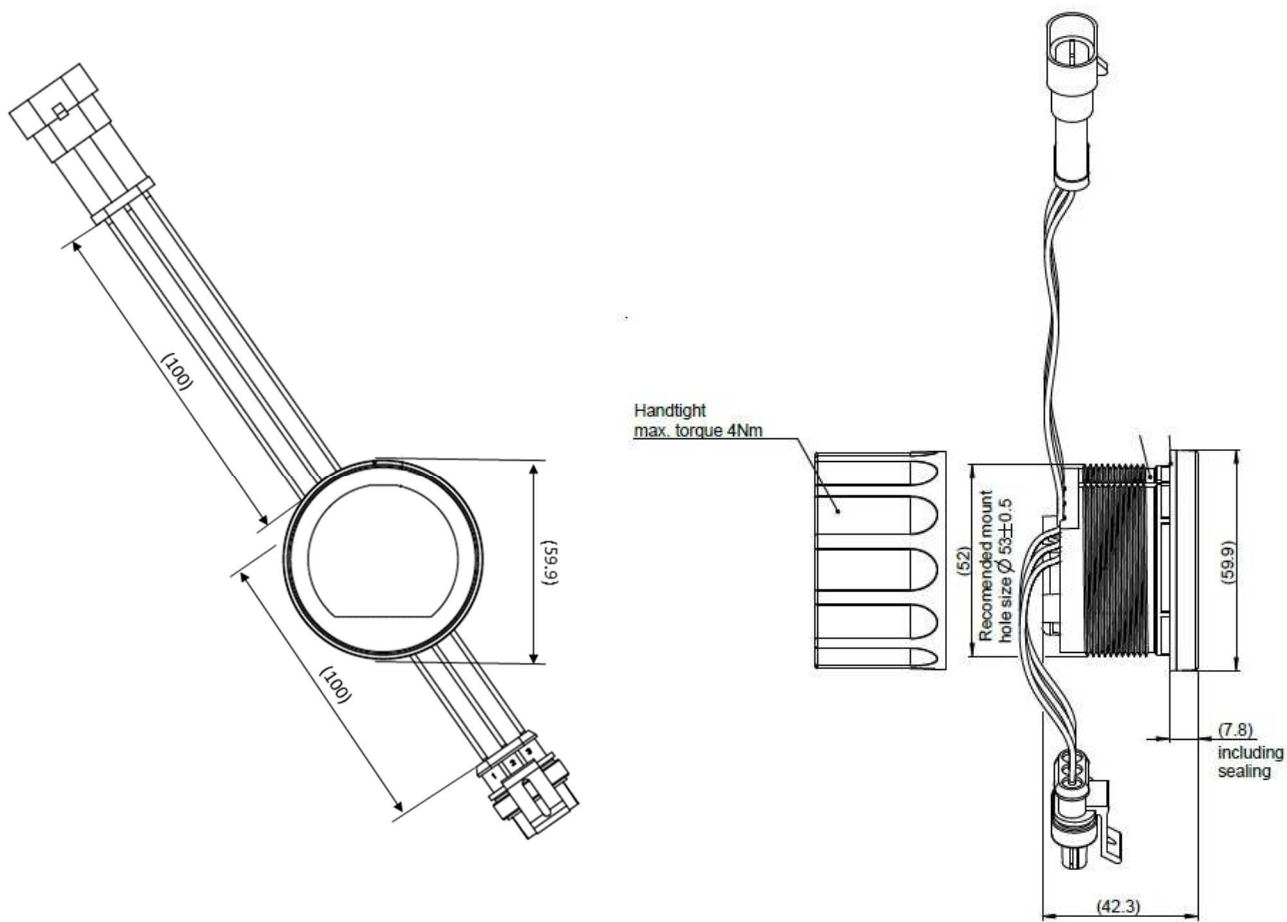
Tipo di dato	Descrizione dell'allarme	Allarme attivato...	Valori di soglia possibili
Livello del carburante	Basso livello di carburante	sotto la soglia	0 - 100 %
Temperatura del refrigerante	Sovratemperatura del motore	sopra la soglia	0 - 200 °C
Temperatura dell'olio motore	Alta temperatura dell'olio	sopra la soglia	0 - 200 °C
Pressione dell'olio motore	Bassa pressione dell'olio	sotto la soglia	0 - 30 bar
Temperatura dell'olio della trasmissione	Alta temperatura dell'olio della trasmissione	sopra la soglia	0 - 200 °C
Pressione dell'olio della trasmissione	Bassa pressione dell'olio della trasmissione	sotto la soglia	0 - 30 bar
Voltmetro	Batteria scarica	sotto la soglia	0 - 30 V
	Sovratensione	sopra la soglia	0 - 30 V
Trim	Assetto del motore	sopra la soglia	0 - 100 %

DATI TECNICI

DATASHEET

Tensione nominale	12 V (dalla connessione EasyLink)
Connettività	EasyLink, NFC
Interfaccia di configurazione	NFC (Near Field Communication)
Classe di protezione	IP X7 secondo IEC60529 (Exposed device)
Display	Display a segmenti IBN a colori
Lente frontale	Vetro minerale
Alloggiamento	Ø52 mm - Policarbonato (PC), ignifugo secondo UL94-V0
Profondità di montaggio richiesta	40 mm
Cornice esterna	Acciaio inossidabile spazzolato
Temperatura d'esercizio	Da -20°C a +60°C
Temperatura di stoccaggio	Da -30°C a +80°C
Connettore	AMP SuperSeal 1.5 P/N Maschio: 282105-1 P/N Femmina: 282087-1
Montaggio	Spinlock - altezza di bloccaggio 0.5 - 20 mm
Certificazioni	CE, UKCA, Reach, RoHS, UL94-V0

DISEGNO TECNICO



ACCESSORI

Accessorio	Codice
Cavo di estensione EasyLink	A2C59500139
Spinlock 52mm	A2C52059471
Guarnizione in gomma 52mm	A2C53194838

Visitare <http://www.veratron.com> per la lista completa degli accessori.



veratron AG T +41 71 7679 111
Industriestrasse 18 info@veratron.com
9464 Rüthi, Svizzera veratron.com

Qualsiasi distribuzione, traduzione o riproduzione, parziale o totale, del documento è severamente vietata se non previa autorizzazione scritta di veratron AG, fatta eccezione per le seguenti azioni:

- Stampare il documento nel suo formato originale, totalmente o parzialmente.
- Copiare i contenuti senza alcuna modifica e indicare Veratron AG come proprietario del copyright.

Veratron AG si riserva il diritto di apportare modifiche o miglioramenti alla relativa documentazione senza preavviso.

Richieste di autorizzazione, copie aggiuntive di questo manuale o informazioni tecniche su quest'ultimo, devono essere indirizzate a veratron AG.