

VL FLEX 52MM SERIES

VL FLEX 52

NMEA 2000

USER MANUAL
rev. AB



EN

DE

IT

FR

ES

PT

LANGUAGE	PAGE
ENGLISH	3
DEUTSCH	26
ITALIANO	50
FRANÇAIS	74
ESPAÑOL	98

VL FLEX 52MM SERIES

VL FLEX 52

NMEA 2000

USER MANUAL
rev. AB



EN

DE

IT

FR

ES

PT

CONTENT

- Content.....2**
- Introduction.....3**
 - Package Contents 3
 - The all-in-one Device..... 3
 - Contactless Configuration 3
- Safety Information.....4**
 - Safety During Installation..... 4
 - Safety After Installation..... 5
 - Electrical Connection 5
- Installation6**
 - Before the Assembly 6
 - Mounting with Spinlock Nut.....7
 - Flush Mounting..... 8
- Connections.....9**
 - Pinout 9
 - Wiring Harness..... 9
 - NMEA 2000® Pinout 10
 - Connection to the NMEA 2000® Network..... 10
 - Frequency Input Connection.....11
 - Resistance Sensor Connection11
- Configuration 12**
 - VL Fex Configurator App12
 - Configure Device12
 - Supported Configurations..... 16
- Display Layout 18**
 - Single Layout..... 18
 - Dual Layout..... 18
 - ALARM DISPLAY 19
- Technical Data..... 20**
 - Datasheet..... 20
 - Supported NMEA 2000® PGNs.....21
- Accessories 22**

INTRODUCTION

PACKAGE CONTENTS

Item number	Description
B00043501	1x VL Flex 52
A2C5205947101	1x 52 mm spinlock nut
A2C9582260001	1x wiring harness
B000100	1x safety instructions

THE ALL-IN-ONE DEVICE

The VL Flex 52 can be easily configured as the display device you need thanks to its 1.44" TFT display, readable even in strong sunlight, embedded in a standard 52 mm diameter housing.

Supported analog inputs allow direct reading from motor sensors, and the NMEA 2000® interface extends this function by allowing the VL Flex to read from the digital network.

The simple but effective display layout can be set up in a single or dual layout, presenting the data in a clear and intuitive way, while the colored bar graph and alarm display allow you to interpret the data more quickly.

CONTACTLESS CONFIGURATION

Thanks to contactless configuration, you can configure your all-in-one instrument with a simple "tap"!

Start the smartphone app and define your settings via the user-friendly interface. Then simply hold your smartphone on the front lens of the VL Flex to transfer the configuration immediately.

Thanks to the built-in passive antenna, the configuration can be done without power supply!

SAFETY INFORMATION

WARNING

- No smoking! No open fire or heat sources!
- The product was developed, manufactured and inspected according to the basic safety requirements of EC Guidelines and state-of-the-art technology.
- The instrument is designed for use in grounded vehicles and machines as well as in pleasure boats, including non-classified commercial shipping.
- Use our product only as intended. Use of the product for reasons other than its intended use may lead to personal injury, property damage or environmental damage. Before installation, check the vehicle documentation for vehicle type and any possible special features!
- Use the assembly plan to learn the location of the fuel/hydraulic/compressed air and electrical lines!
- Note possible modifications to the vehicle, which must be considered during installation!
- To prevent personal injury, property damage or environmental damage, basic knowledge of motor vehicle/shipbuilding electronics and mechanics is required.
- Make sure that the engine cannot start unintentionally during installation!
- Modifications or manipulations to veratron products can affect safety. Consequently, you may not modify or manipulate the product!
- When removing/installing seats, covers, etc., ensure that lines are not damaged and plug-in connections are not loosened!
- Note all data from other installed instruments with volatile electronic memories.

SAFETY DURING INSTALLATION

- During installation, ensure that the product's components do not affect or limit vehicle functions. Avoid damaging these components!
- Only install undamaged parts in a vehicle!
- During installation, ensure that the product does not impair the field of vision and that it cannot impact the driver's or passenger's head!
- A specialized technician should install the product. If you install the product yourself, wear appropriate work clothing. Do not wear loose clothing, as it may get caught in moving parts. Protect long hair with a hair net.
- When working on the on-board electronics, do not wear metallic or conductive jewelry such as necklaces, bracelets, rings, etc.
- If work on a running engine is required, exercise extreme caution. Wear only appropriate work clothing as you are at risk of personal injury, resulting from being crushed or burned.
- Before beginning, disconnect the negative terminal on the battery, otherwise you risk a short circuit. If the vehicle is supplied by auxiliary batteries, you must also disconnect the negative terminals on these batteries! Short circuits can cause fires, battery explosions and damages to other electronic systems. Please note that when you disconnect the battery, all volatile electronic memories lose their input values and must be reprogrammed.
- If working on gasoline boat motors, let the motor compartment fan run before beginning work.
- Pay attention to how lines and cable harnesses are laid so that you do not drill or saw through them!
- Do not install the product in the mechanical and electrical airbag area!

SAFETY INFORMATION

- Do not drill holes or ports in load-bearing or stabilizing stays or tie bars!
- When working underneath the vehicle, secure it according to the specifications from the vehicle manufacturer.
- Note the necessary clearance behind the drill hole or port at the installation location. Required mounting depth: 65 mm.
- Drill small ports; enlarge and complete them, if necessary, using taper milling tools, saber saws, keyhole saws or files. Deburr edges. Follow the safety instructions of the tool manufacturer.
- Use only insulated tools, if work is necessary on live parts.
- Use only the multimeter or diode test lamps provided, to measure voltages and currents in the vehicle/machine or boat. Use of conventional test lamps can cause damage to control units or other electronic systems.
- The electrical indicator outputs and cables connected to them must be protected from direct contact and damage. The cables in use must have enough insulation and electric strength and the contact points must be safe from touch.
- Use appropriate measures to also protect the electrically conductive parts on the connected consumer from direct contact. Laying metallic, uninsulated cables and contacts is prohibited.

SAFETY AFTER INSTALLATION

- Connect the ground cable tightly to the negative terminal of the battery.
- Reenter/reprogram the volatile electronic memory values.
- Check all functions.
- Use only clean water to clean the components. Note the Ingress Protection (IP) ratings (IEC 60529).

ELECTRICAL CONNECTION

- Note cable cross-sectional area!
- Reducing the cable cross-sectional area leads to higher current density, which can cause the cable cross-sectional area in question to heat up!
- When installing electrical cables, use the provided cable ducts and harnesses; however, do not run cables parallel to ignition cables or to cables that lead to large electricity consumers.
- Fasten cables with cable ties or adhesive tape. Do not run cables over moving parts. Do not attach cables to the steering column!
- Ensure that cables are not subject to tensile, compressive or shearing forces.
- If cables are run through drill holes, protect them using rubber sleeves or the like.
- Use only one cable stripper to strip the cable. Adjust the stripper so that stranded wires are not damaged or separated.
- Use only a soft soldering process or commercially available crimp connector to solder new cable connections!
- Make crimp connections with cable crimping pliers only. Follow the safety instructions of the tool manufacturer.
- Insulate exposed stranded wires to prevent short circuits.
- Caution: Risk of short circuit if junctions are faulty or cables are damaged.
- Short circuits in the vehicle network can cause fires, battery explosions and damages to other electronic systems. Consequently, all power supply cable connections must be provided with weldable connectors and be sufficiently insulated.
- Ensure ground connections are sound.
- Faulty connections can cause short circuits. Only connect cables according to the electrical wiring diagram.
- If operating the instrument on power supply units, note that the power supply unit must be stabilized and it must comply with the following standard: DIN EN 61000, Parts 6-1 to 6-4.

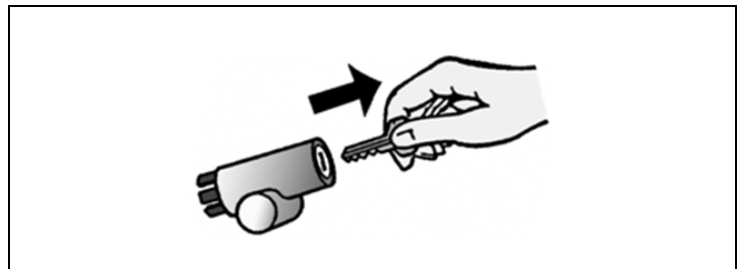
INSTALLATION

⚠ WARNING

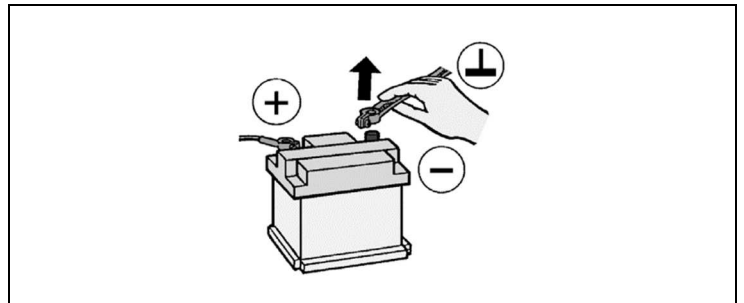
Before beginning, disconnect the negative terminal on the battery, otherwise you risk a short circuit. If the vehicle is supplied by auxiliary batteries, you must also disconnect the negative terminals on these batteries! Short circuits can cause fires, battery explosions and damages to other electronic systems. Please note that when you disconnect the battery, all volatile electronic memories lose their input values and must be reprogrammed.

BEFORE THE ASSEMBLY

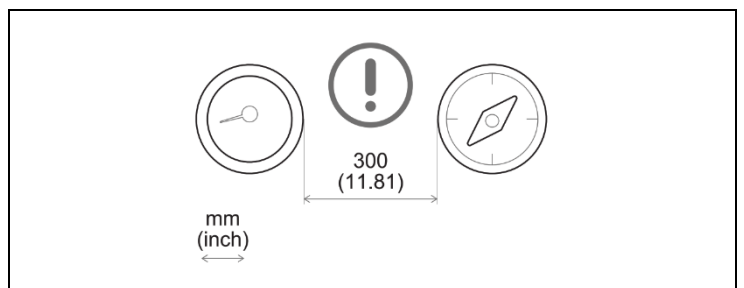
1. Before beginning, turn off the ignition and remove the ignition key. If necessary, remove the main circuit switch



2. Disconnect the negative terminal on the battery. Make sure the battery cannot unintentionally restart.



3. Place the device at least 300 mm away from any magnetic compass.



MOUNTING WITH SPINLOCK NUT

Conventional mounting. (Device is inserted into the hole from the front).

The panel thickness can be in the range of 0.5 to 20 mm. The hole must have a diameter of 53 mm [B].

⚠ WARNING

- Do not drill holes and installation openings in load-bearing or stabilizing struts or spars!
- For the installation location, ensure the necessary clearance behind the holes or the installation opening. Required installation depth 65 mm.
- Pre-drill small installation openings, enlarge with cone cutter, hole saw, jigsaw or file if necessary and finish. Deburr edges. Refer to the safety instructions of the hand tool manufacturer.

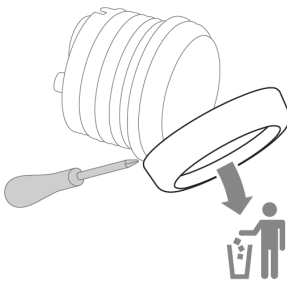
1. Different covers can be mounted as an alternative to the supplied cover. In this case, carefully remove it with a screwdriver [A], attach the new bezel to the instrument and press it until it is flush with the cover glass.

Note: When removing, the front ring damaged and can no longer be used

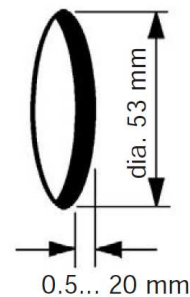
IMPORTANT: If you install a chrome bezel, you must set up the device before installation. The metal particles contained in the chrome trim may affect the performance of the wireless interface!

2. Make a round hole, taking into account the external dimensions of the device. [B]
3. Remove the spinlock nut and insert the device frontally. [C]
4. Align the spinlock nut as shown in [D], according to the thickness of the plate.
5. Feed the cables through the spinlock nut and carefully screw it in at least two turns.
6. Connect the plugs.

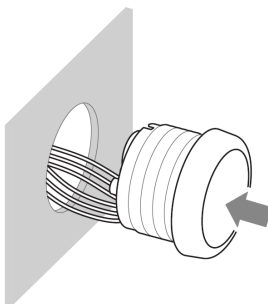
A



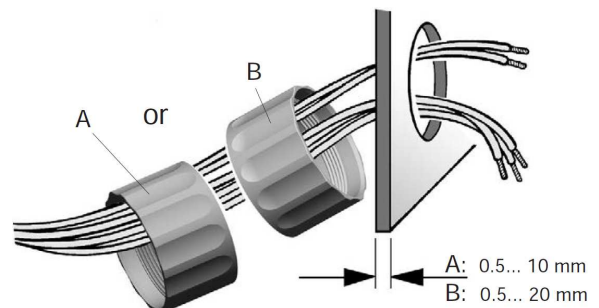
B



C



D



FLUSH MOUNTING

The recommended panel thickness is 1.5 to 3mm. The hole must have a diameter of 48.1mm [A].

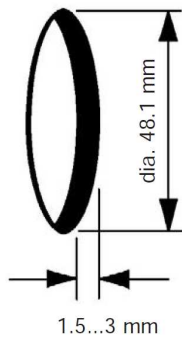
Make sure that the installation location is level and has no sharp edges.

⚠ WARNING

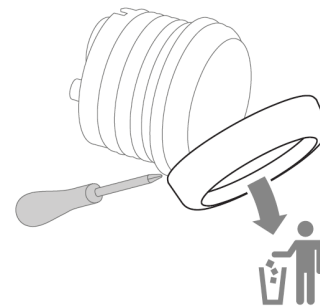
- Do not drill holes and installation openings in load-bearing or stabilizing struts or spars!
- For the installation location, ensure the necessary clearance behind the holes or the installation opening. Required installation depth 65 mm.
- Pre-drill small installation openings, enlarge with cone cutter, hole saw, jigsaw or file if necessary and finish. Deburr edges. Refer to the safety instructions of the hand tool manufacturer.

1. Make a round hole, taking into account the external dimensions of the device. [A]
2. Remove the spinlock nut
3. Remove the front ring using a screwdriver. [B]
Note: When removing, the orifice plate will be damaged and can no longer be used.
4. Place the flushmount gasket A2C53215640 (not included) on the cover glass.
5. Insert the device into the hole [C] from behind.
6. Align the unit so that the reading is straight and fix it to the studs [D] attached to the back of the panel using the flushmount mounting bracket A2C59510864 (not included).
7. Connect the plugs.

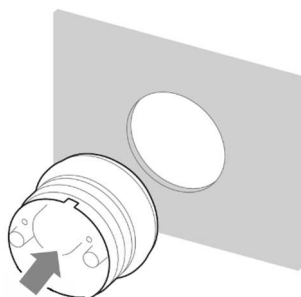
A



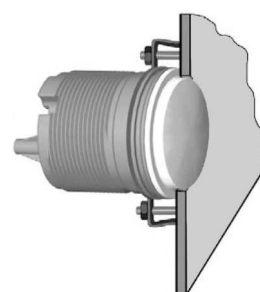
B



C



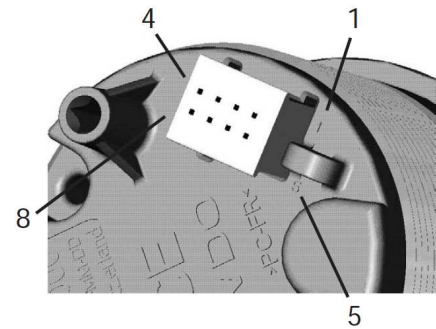
D



CONNECTIONS

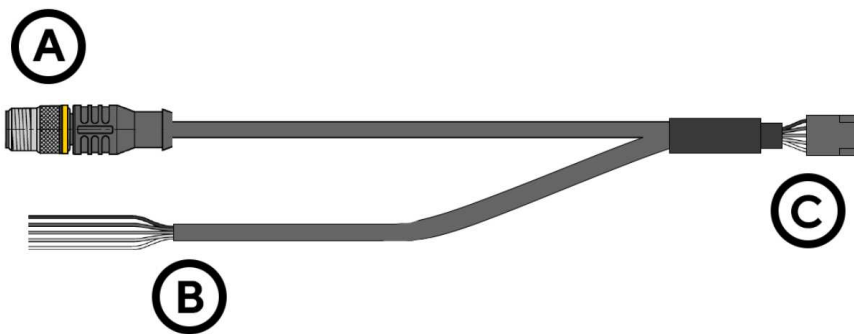
PINOUT

Pin no.	Cable color	Description
1	Red	Term. 15 - Battery 12 / 24 V
2	Black	Term. 31 - Ground
3	Green / Red	Signal - frequency sensor
4	Yellow / Red	Signal - resistance sensor
5	Blue / White	LIN bus
6	Red / White	Illumination day/night
7	-	NMEA 2000 High (on M12 connector)
8	-	NMEA 2000 Low (on M12 connector)



Rear view VL Flex Tyco / Hirschmann 8-poles MQS plug

WIRING HARNESS

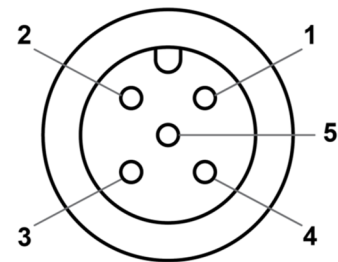


Wiring harness VL Flex

- A: NMEA 2000® DeviceNet M12 5-pin connector
- B: Cables for sensor connection and power supply (see colors in the table)
- C: VL Flex connector - Tyco / Hirschmann MQS 8-pin

NMEA 2000® PINOUT

Pin no.	Description
1	Shielding
2	NET-S (V+)
3	NET-C (V-)
4	NET-H (CAN H)
5	NET-L (CAN L)



Micro-C M12 5-pin connector
Male, Cable View

CONNECTION TO THE NMEA 2000® NETWORK

Once mounting is complete, the device can be connected to the NMEA 2000® network via the designated socket on the cabling.

Make sure to screw the plug all the way on. This is the only way to guarantee that the connection is waterproof.

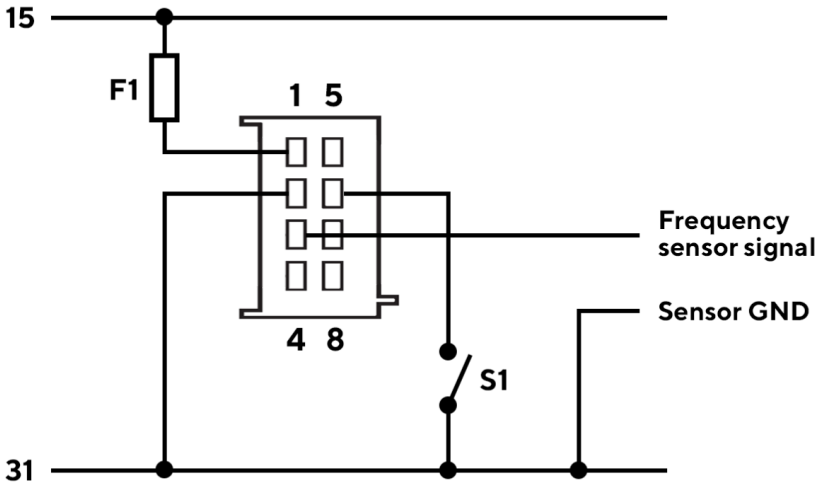
A drop cable is only required if the total length of the supplied cabling is not sufficient to reach the NMEA 2000® backbone. In this case it is possible to extend the cable with one of the additional drop cables.

Note that NMEA 2000® does not allow drop cables longer than 6 meters.

Stick to the NMEA 2000® standard for proper network setup.



FREQUENCY INPUT CONNECTION



Designations within the connection diagram:

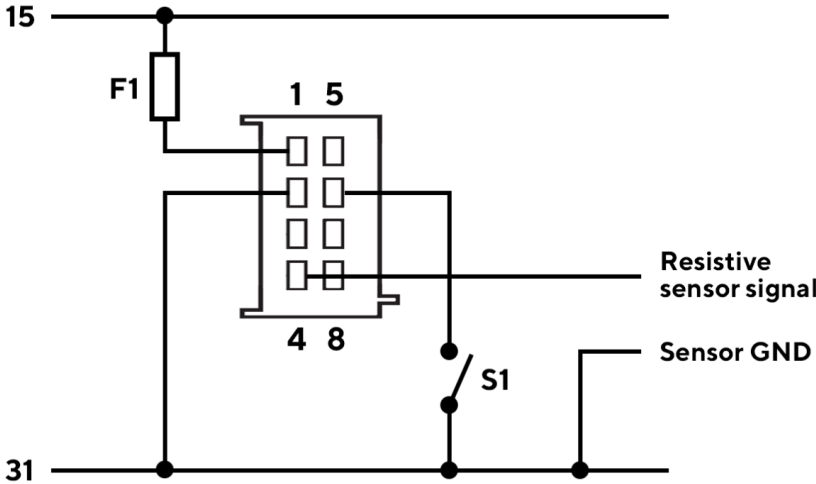
15 - Term. 15 - switched positive 12/24 V (ignition)

31 - Term. 31 - Mass

F1 - Fuse 3A (not included)

S1 - Illumination switch day/night (not included)

RESISTANCE SENSOR CONNECTION



Designations within the connection diagram:

15 - Term. 15 - switched positive 12/24 V (ignition)

31 - Term. 31 - Mass

F1 - Fuse 3A (not included)

S1 - Illumination switch day/night (not included)

CONFIGURATION

VL FEX CONFIGURATOR APP

To configure the VL Flex, some parameters have to be configured, e.g. the display type, the connected sensor and its calibration or the alarm threshold.

This is possible via the smartphone app "VL Flex Configurator", which can be downloaded free of charge from the stores for both Android and iOS devices.

You can also find a simple explanation of the setup process as in-app instructions.

Thanks to the passive NFC receiver, the VL Flex device can be configured as described below without the need for a power supply.



VL FLEX CONFIGURATOR



CONFIGURE DEVICE

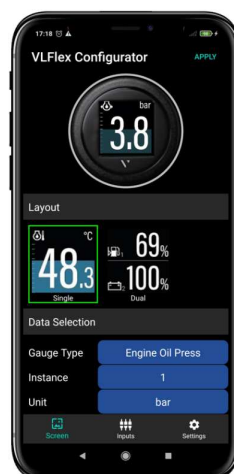
Setting up the VL Flex device is a three-step process.

Remember that the configuration of the instrument must be read before it can be changed and written to the instrument.

1. READ



2. CONFIGURE



3. WRITE



1. READ CONFIGURATION

Open the "VL Flex Configurator" app and read the current configuration of the device by "touching" the front lens of the device with the smartphone.

The READ operation is mandatory before the WRITE operation is allowed.

After reading, the app is set with the current configuration of the VL Flex.



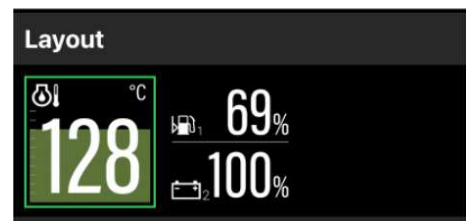
Note: The position of the antenna on the smartphone depends on the model. For more information, refer to the smartphone manufacturer's manual.

2. SELECT DISPLAY LAYOUT

Use the Layout section to choose between single and double image layouts.

The preview image at the top of the app screen will update accordingly.

When Dual Layout is selected, the app expands the device settings to be able to configure both fields of the screen.

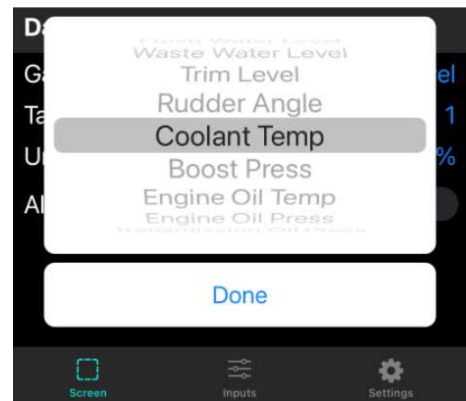


3. SELECT DISPLAY TYPE

Use the Gauge Type item in the Data Selection section to select the data to be displayed on the VL Flex.

If the dual layout is selected, you can select the data for the upper as well as for the lower part of the screen separately.

Note: For the complete list of supported data types, see the Supported Configurations table in this document.



4. SELECT MASS UNITS AND INSTANCE

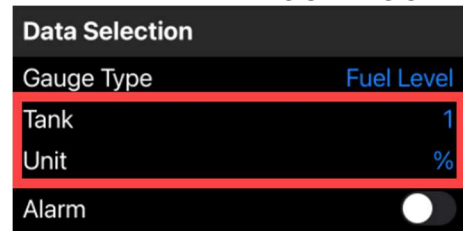
CONFIGURATION

Define the unit of measurement for the displayed data. (see table "Supported configurations").

Set the instance for the displayed data (e.g. engine number or tank number) so that they are shown correctly on the display.

Some rudder position sensors send their data on their own instance instead of the associated instance of the engine. In this case, the "Ignore" option must be selected as the Engine Instance.

Note: The defined instance is also used by the VL Flex when receiving data from NMEA 2000®.



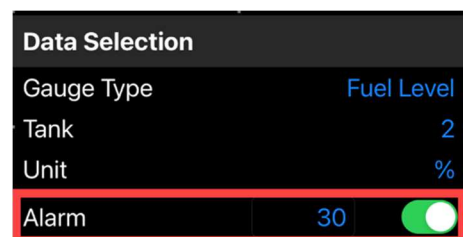
5. ALARM SETTINGS

For some data types an alarm can be set (see table "Supported configurations").

The alarm can be activated or deactivated via the corresponding switch in the app.

Once the option is enabled, the threshold value can be set using the corresponding numeric field. The unit of the alarm threshold is the same unit that was defined in the previous step.

Note: The "direction" of the alarm threshold (up or down) is predefined (see table "Supported configurations").



6. CALIBRATE SENSOR

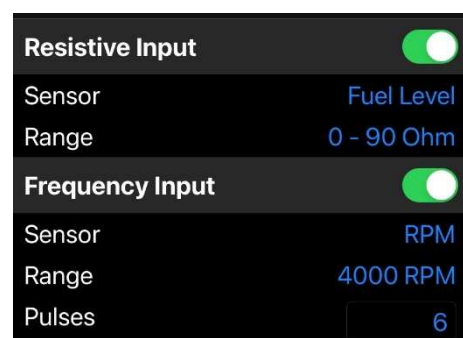
By default, the VL Flex assumes that data is received via NMEA 2000®, so the analog inputs are disabled.

If a sensor is connected via an analog connection (resistance or frequency), it can be configured by activating the corresponding switch in the app.

Note: Depending on the type of display configured, only one of the available inputs can be assigned to the data type. (see table "Supported configurations")

If a dual layout (two values) has been selected, you can select which data is to be configured as an analog input.

The other data is considered to be received from the NMEA 2000® network.



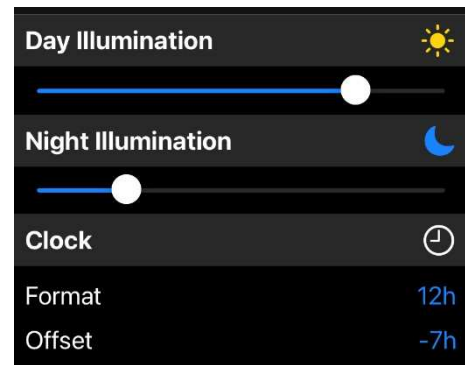
7. LIGHTING AND CLOCK

You can complete the configuration of the VL Flex via the "Settings" tab.

In this section you can set the intensity of the backlight during the day and night using the slider.

This screen can also be used to adjust the clock settings (format and offset).

Note: The clock is only received via NMEA 2000® from an external GPS receiver. It is not counted internally by the VL Flex.



8. TRANSFER CONFIGURATION

Once the configuration is complete, you can download it to VL Flex.

Press the "APPLY" button in the upper right corner of the app and "touch" the front lens of the device with your smartphone.



SUPPORTED CONFIGURATIONS

Display type	Unit	Resistance Sensor	Frequency Sensor	Calibrations	Alarm available	PGN
Tachometer	rpm	-	✓	Pulses per revolution	No	127488
Boat speed	kn km/h mph	-	✓	Pulses per unit	No	128259
Ammeter	A	-	-	-	No	127508
Voltmeter	V	-	-	Measures supply voltage	No	127508
Battery charge	%	-	-	-	Yes (below)	127506
Battery status	%	-	-	-	Yes (below)	127506
Battery temperature	°C °F	-	-	-	Yes (above)	127508
Battery autonomy	h days	-	-	-	No	127506
Operating hours	h	-	✓	Calculated internally	No	127489
Speed Over Ground	kn km/h mph	-	-	-	No	129026
Course Over Ground	deg	-	-	-	No	129026
Depth	m ft	-	-	-	Yes (below)	128267
Fuel level	%	✓	-	0 - 90 Ω 3 - 180 Ω 240 - 33 Ω 90 - 4 Ω 105 - 4 Ω	Yes (below)	127505
Fresh water level	%	✓	-	3 - 180 Ω 240 - 33 Ω 90 - 4 Ω	No	127505
Waste water level	%	✓	-	3 - 180 Ω 240 - 33 Ω 90 - 4 Ω	No	127505

Display type	Unit	Resistance Sensor	Frequency Sensor	Calibrations	CONFIGURATION	
					Alarm available	PGN
Trim	%	✓	-	167 - 10 Ω (Single Station) 84 - 5 Ω (Dual Station)	No	127488
Rudder position	deg	✓	-	10 - 180 Ω (Single Station) 5 - 90 Ω (Dual Station)	No	127245
Cooling water temp.	°C °F	✓	-	291 - 22 Ω (120 °C) 322 - 19 Ω (150 °C)	Yes (above)	127489
Boost pressure	bar PSI	✓	-	10 - 184 Ω (2 bar) 10 - 184 Ω (5 bar)	No	127488
Engine oil pressure	bar PSI	✓	-	10 - 184 Ω (5 bar) 10 - 184 Ω (10 bar)	Yes (below)	127489
Engine oil temp.	°C °F	✓	-	322 - 19 Ω (150 °C)	Yes (above)	127489
Transmission oil pressure	bar PSI	✓	-	10 - 184 Ω (10 bar) 10 - 184 Ω (25 bar) 10 - 211 Ω (30 bar)	Yes (below)	127493
Transmission oil temp.	°C °F	✓	-	322 - 19 Ω (150 °C)	Yes (above)	127493
Clock	-	-	-	-	No	126992

* Supported configurations can be updated at any time. Make sure you always use the latest version of the app.

DISPLAY LAYOUT

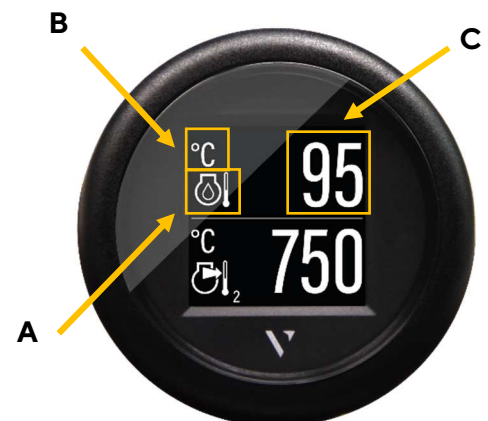
SINGLE LAYOUT

A.	<p>Symbol Indicates, which data type is displayed right now.</p> <p>For the data types, which support this function, there is also the instance indicated here.</p>
B.	<p>Unit Shows the unit of the currently displayed data. For some data types it's possible to change the unit in the settings. (See table "Supported Configurations")</p>
C.	<p>Measured value This shows the numeric value of the dedicated measured data. If there aren't any values received for this data type or they are out of range, the display will show "---".</p> <p>Coloured Graph The coloured graphic in the background is a bar diagram that puts the measured value in perspective. This function isn't supported for all data types. The white lines on the left side show the scalation.</p>



DUAL LAYOUT

A.	<p>Symbol Indicates, which data type is displayed right now.</p> <p>For the data types, which support this function, there is also the instance indicated here.</p>
B.	<p>Unit Shows the unit of the currently displayed data. For some data types it's possible to change the unit in the settings. (See table "Supported Configurations")</p>
C.	<p>Measured Value This shows the numeric value of the dedicated measured data. If there aren't any data received for this data type or the values are out of range, the display will show "---".</p> <p>The bar graph can't be displayed in the dual layout for any value.</p>



ALARM DISPLAY

**Single data layout**

When an alarm occurs the bar-graph turns red, and a red alarm symbol is displayed in the top part of the display between the data symbol and the unit.

The display returns to normal operation mode once the alarm is not detected anymore.

**Dual data layout**

When an alarm occurs on any of the two displayed data, the numeric digits of the affected data become red.

In the example above, the data at the bottom of the screen (Exhaust Gas Temperature) has an alarm active.

The display returns to normal operation mode once the alarm is not detected anymore.

TECHNICAL DATA

DATASHEET

Screen	1.44-inch TFT color display, sun-readable, transmissive
Screen resolution	125 x 125 Pixel
Rated voltage	12 V / 24 V
Operating voltage	8 - 32 V with overvoltage and reverse polarity protection
Current consumption	50 mA with maximum illumination intensity
Analog inputs	Resistive (0 - 400 Ω) Frequency (W, Ind., Hall, Generator)
Digital inputs	NMEA 2000®, LIN bus
Wireless interface	NFC (Near Field Communication)
Protection class	IP 67 front side (IEC60529)
Cover glass	PMMA with anti-fog and anti-glare coating
Housing	Ø52 mm - Polycarbonate (PC), flame retardant (UL94-V0)
Front ring	PC (black, white) or ABS (chrome); different colors and shapes
Operating temperature	-20°C to +70°C
Storage temperature	-30°C to +80°C
Connection	Tyco / Hirschmann MQS 8-pole
Mounting	Spinlock groove; clamping height 0.5mm - 20mm, Optional bracket and stud bolt, clamping height 2 - 15mm
Standards	CE, Reach, RoHS

SUPPORTED NMEA 2000® PGNS

Description	PGN
ISO Address Claim	60928
ISO Request	59904
ISO Transport Protocol, Data Transfer	60160
ISO Transport Protocol, Connection Management	60416
ISO Acknowledgment	59392
NMEA - Request group function	126208
System Time	126992
Heartbeat	126993
Configuration Information	126998
Product Information	126996
PGN List - Received PGNs group function	126464
Rudder	127245
Fluid level	127505
DC Detailed Status	127506
Battery status	127508
Engine Parameters, Rapid Update	127488
Engine Parameters, Dynamic	127489
Transmission Parameters, Dynamic	127493
Speed, Water Referenced	128259
Water Depth	128267
COG & SOG, Rapid Update	129026

ACCESSORIES

Accessory Part	Part Number
Wiring harness with M12 connector	A2C9582260001
Spinlock nut 52 mm	A2C5205947101
Kit for flush mounting	A2C59510864
Gasket for flush mounting	A2C53215640
Front ring - Round Black	A2C5318602701
Front Ring - Round White	A2C5318602801
Front Ring - Round Chrome*	A2C5318602901
Front ring - Triangular Black	A2C5318602401
Front ring - Triangular White	A2C5318602501
Front ring - Triangular Chrome *	A2C5318602601
Front ring - Flat Black	A2C5318604001
Front Ring - Flat White	A2C5318602201
Front ring - Flat Chrome *	A2C5318602301

Visit <http://www.veratron.com> for the complete list of available accessories.

* The chrome front ring may interfere with NFC programming due to the metal particles contained in the chrome. Make sure that you configure the VL Flex before installing the chrome front ring!



veratron AG
Industriestrasse 18
9464 Rütli, Switzerland

T +41 71 7679 111
info@veratron.com
veratron.com

Partial or complete distribution, translation or reproduction of this document is strictly prohibited without the prior written consent of veratron AG, with the exception of the following measures:

- Print all or part of the document in its original size.
- Reproduction of the content without modification and explanation by Veratron AG as copyright holder.

Veratron AG reserves the right to make changes or improvements to the related documentation without prior notice.

Requests for approval, additional copies of this manual, or technical information concerning it should be addressed to veratron AG.

VL FLEX 52MM SERIES

VL FLEX 52

NMEA 2000

BEDIENUNGSANLEITUNG
rev. AB



EN

DE

IT

FR

ES

PT

INHALT

Inhalt	2
Einführung	3
Verpackungsinhalt	3
Das All-in-One-Gerät	3
Kontaktlose Konfiguration	3
Sicherheitshinweise	4
Während des Einbaus beachten	4
Nach dem Einbau beachten	5
Elektrischer Anschluss.....	5
Installation	7
Vor der Installation	7
Montage mit Spinlock-Mutter.....	8
Bündige Montage.....	9
Anschlüsse	10
Pinbelegung	10
Kabelbaum.....	10
NMEA 2000® Pinbelegung	11
Anschluss an das NMEA 2000® Netzwerk.....	11
Anschluss Frequenzeingang	12
Anschluss Widerstandssensor.....	12
Konfiguration	13
VL Fex Configurator App	13
Gerät konfigurieren.....	13
Unterstützte Konfigurationen	17
Display-Layout	19
Einzel-layout	19
Doppel-layout	19
Alarm-Display	20
Technische Daten	21
Datenblatt.....	21
Unterstützte NMEA 2000® PGNs	22
Zubehör	23

EINFÜHRUNG

VERPACKUNGSIHALT

Artikelnummer	Beschreibung
B00043501	1x VL Flex 52 - NMEA 2000
A2C5205947101	1x 52 mm Spinlock-Mutter
A2C9582260001	1x Kabelbaum
B000100	1x Sicherheitsanweisungen

DAS ALL-IN-ONE-GERÄT

Das VL Flex kann dank seines, auch in starkem Sonnenlicht lesbaren, 1,44-Zoll-TFT-Displays, das in ein Standardgehäuse mit 52 mm Durchmesser eingebettet ist, einfach als das Anzeigegerät konfiguriert werden, welches Sie benötigen.

Unterstützte analoge Eingänge ermöglichen das direkte Lesen von Motorsensoren, und die NMEA 2000®-Schnittstelle erweitert diese Funktion, indem der VL Flex aus dem digitalen Netzwerk lesen kann.

Die simplen aber effektiven Grafiken können in einem einfachen oder doppelten Layout eingerichtet werden und die Daten in einer klaren und intuitiven Form darstellen, während der farbige Balken und die Alarmanzeige es Ihnen ermöglichen, die Daten schneller zu interpretieren.

KONTAKTLOSE KONFIGURATION

Dank der kontaktlosen Konfiguration können Sie Ihr All-in-One-Instrument mit einem einfachen "Antippen" konfigurieren!

Starten Sie die Smartphone-App und definieren Sie Ihre Einstellungen über die benutzerfreundliche Oberfläche. Halten Sie dann Ihr Smartphone einfach auf die Frontlinse des VL Flex, um die Konfiguration sofort zu übertragen.

Dank der eingebauten passiven Antenne kann die Konfiguration ohne Stromversorgung erfolgen!

SICHERHEITSHINWEISE

WARNUNG

- Nicht rauchen! Kein offenes Feuer oder Wärmequellen!
- Das Produkt wurde unter Beachtung der grundlegenden Sicherheitsanforderungen der EG-Richtlinien und dem anerkannten Stand der Technik entwickelt, gefertigt und geprüft.
- Das Gerät ist für den Einsatz in der Sportschiffahrt konzipiert.
- Das Gerät ist für den Einsatz in erdgebundenen Fahrzeugen und Maschinen sowie den Einsatz in der Sportschiffahrt, inklusive der nicht klassifizierten Berufsschiffahrt bestimmt.
- Setzen Sie unser Produkt nur bestimmungsgemäss ein. Die Folgen einer nicht bestimmungsgemässen Verwendung des Produktes können Personenschäden sowie Sachschäden oder Umweltschäden sein. Informieren Sie sich vor dem Einbau anhand der Fahrzeug-Papiere über den Fahrzeugtyp und über eventuelle Besonderheiten!
- Informieren Sie sich anhand von Bauplänen über die Lage von Kraftstoff- /Hydraulik- /Druckluft und elektrischen Leitungen!
- Beachten Sie eventuelle Veränderungen am Fahrzeug, die beim Einbau zu berücksichtigen sind!
- Für den Einbau sind Grundkenntnisse der Kfz/Schiffbau-Elektrik und -Mechanik erforderlich, um Personenschäden, Sachschäden oder Umweltschäden zu vermeiden.
- Stellen Sie sicher, dass kein unbeabsichtigter Motorstart während des Einbaus ausgeführt werden kann!
- Veränderungen oder Manipulationen am Veratronprodukt können die Sicherheit beeinflussen. Es darf deshalb nicht verändert oder manipuliert werden!
- Beim Aus-/Einbau von Sitzen, Abdeckungen o. ä. darauf achten, dass Sie keine Leitungen beschädigen oder Steckverbindungen lösen!
- Alle Daten von anderen installierten Geräten mit flüchtigen elektronischen Speichern notieren.

WÄHREND DES EINBAUS BEACHTEN

- Achten Sie beim Einbau darauf, dass die Komponenten des Produkts die Fahrzeugfunktionen nicht beeinflussen oder behindern und selbst nicht beschädigt werden!
- Bauen Sie nur unbeschädigte Teile in ein Fahrzeug ein!
- Achten Sie beim Einbau darauf, dass durch das Produkt der Sichtbereich nicht beeinträchtigt wird und das Produkt nicht im Kopfaufschlagbereich des Fahrers und Beifahrers positioniert wird!
- Den Einbau des Produktes sollten Sie von einem darauf spezialisierten Fachmann ausführen lassen. Wenn Sie den Einbau selbst vornehmen, tragen Sie geeignete Arbeitskleidung. Tragen Sie keine weite Kleidung. Sie kann von beweglichen Teilen erfasst werden. Tragen Sie bei langen Haaren ein Haarnetz. Bei Arbeiten an der Bordelektrik keinen metallischen oder leitfähigen Schmuck wie Ketten, Armbänder, Ringe etc. tragen.
- Falls notwendige Arbeiten am laufenden Motor erforderlich sind, besondere Vorsicht walten lassen. Tragen Sie nur entsprechende Arbeitskleidung, da Verletzungsgefahr durch Quetschungen und Verbrennungen besteht. Vor Beginn der Arbeiten ist der Minuspol der Batterie abzuklemmen, da sonst Kurzschlussgefahr besteht. Wenn das Fahrzeug über Zusatzbatterien verfügt, müssen ggf. auch die Minuspole dieser Batterien abgeklemmt werden! Kurzschlüsse

SICHERHEITSHINWEISE

können Kabelbrände, Batterieexplosionen und Beschädigungen von anderen elektronischen Systemen verursachen. Bitte beachten Sie, dass beim Abklemmen der Batterie alle flüchtigen elektronischen Speicher ihre eingegebenen Werte verlieren und neu programmiert werden müssen.

- Lassen Sie bei Bootsmotoren vor Beginn der Arbeiten im Motorraum bei Benzinmotoren den Motorraumlüfter laufen.
- Achten Sie auf den Verlauf von Leitungen oder Kabelsträngen, um diese bei Bohr- und Sägearbeiten nicht zu beschädigen!
- Den Einbauort nicht im mechanischen und elektrischen Airbag-Bereich wählen!
- Bohrungen und Einbauöffnungen nicht in tragende oder stabilisierende Streben oder Holme anbringen!
- Bei Arbeiten unter dem Fahrzeug, dieses nach Vorschrift des Fahrzeugherstellers sichern.
- Beim Einbauort auf den nötigen Freiraum hinter den Bohrungen oder der Einbauöffnung achten. Notwendige Einbautiefe 65 mm.
- Einbauöffnungen klein vorbohren, mit Konusfräser, Loch-, Stichsäge oder Feile gegebenenfalls vergrößern und fertig stellen.

Kanten entgraten. Unbedingt die Sicherheitshinweise der Handwerkzeughersteller beachten.

- Bei notwendigen Arbeiten ohne Spannungsunterbrechung darf nur mit isoliertem Werkzeug gearbeitet werden.
- Benutzen Sie zum Messen von Spannungen und Strömen im Fahrzeug/ Maschine bzw. Schiff nur dafür vorgesehene Multimeter oder Diodenprüflampen. Die Benutzung herkömmlicher Prüflampen kann die Beschädigung von Steuergeräten oder anderer elektronischer Systeme zur Folge haben.
- Die elektrischen Ausgänge des Anzeigegerätes und daran angeschlossene Kabel müssen vor direkter Berührung und Beschädigung geschützt werden. Dazu müssen die verwendeten Kabel eine ausreichende Isolation bzw. Spannungsfestigkeit besitzen und die Kontaktstellen berührungssicher sein.
- Auch die elektrisch leitenden Teile der angeschlossenen Verbraucher sind durch entsprechende Massnahmen vor direkter Berührung zu schützen. Das Verlegen metallisch blanker Kabel und Kontakte ist nicht zulässig.

NACH DEM EINBAU BEACHTEN

- Massekabel an den Minuspol der Batterie fest anklemmen.
- Werte der flüchtigen elektronischen Speicher neu eingeben/programmieren.
- Prüfen Sie alle Funktionen.
- Zur Reinigung der Komponenten nur klares Wasser verwenden. IP-Schutzarten (IEC 60529) beachten.

ELEKTRISCHER ANSCHLUSS

- Kabelquerschnitt beachten!
- Eine Verringerung des Kabelquerschnitts führt zu einer höheren Stromdichte. Dies kann zu einer Erhitzung des betreffenden Kabelabschnitts führen!
- Bei der elektrischen Kabelverlegung benutzen Sie vorhandene Kabelkanäle und Kabelstränge, führen Sie die Kabel jedoch nicht parallel zu Zündkabeln oder parallel zu Kabeln, die zu grossen Stromverbrauchern führen.
- Fixieren Sie die Kabel mit Kabelbindern oder Klebeband. Führen Sie die Kabel nicht über bewegliche Teile. Kabel nicht an der Lenksäule befestigen!
- Achten Sie darauf, dass die Kabel keinen Zug-, Druck- oder Scherkräften ausgesetzt sind.
- Wenn die Kabel durch Bohrungen geführt werden, schützen Sie die Kabel mittels Gummitüllen oder ähnlichem.
- Benutzen Sie zum Abisolieren der Kabel nur eine Abisolierzange. Stellen Sie die Zange so

SICHERHEITSHINWEISE

ein, dass keine Litzen beschädigt oder abgetrennt werden.

- Verlöten Sie neu zu schaffende Kabelverbindungen nur im Weichlötverfahren oder verwenden Sie handelsübliche Quetschverbinder!
- Nehmen Sie Quetschverbindungen nur mit einer Kabelquetschzange vor. Achten Sie auf die Sicherheitshinweise der Werkzeugzeughersteller.
- Isolieren Sie freigelegte Litzen so, dass keine Kurzschlüsse entstehen können.
- **Achtung:** Kurzschlussgefahr durch fehlerhafte Verbindungsstellen oder beschädigte Kabel.
- Kurzschlüsse im Bordnetz können Kabelbrände, Batterieexplosionen und

Beschädigungen anderer elektronischer Systeme verursachen. Deshalb müssen alle Verbindungen der Spannungsversorgung mit verschweissbaren Stossverbindern versehen und ausreichend isoliert sein.

- Achten Sie besonders auf einwandfreie Masseverbindungen.
- Falschanschlüsse können zu Kurzschlüssen führen. Schliessen Sie die Kabel nur entsprechend dem elektrischen Anschlussplan an.
- Bei Betrieb des Gerätes an Netzteilen beachten Sie, dass das Netzteil stabilisiert sein muss und den folgenden Normen entsprechen muss: DIN EN 61000- Teil 6-1 bis 6-4.

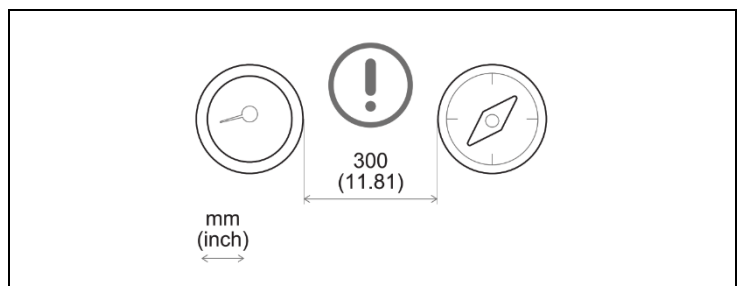
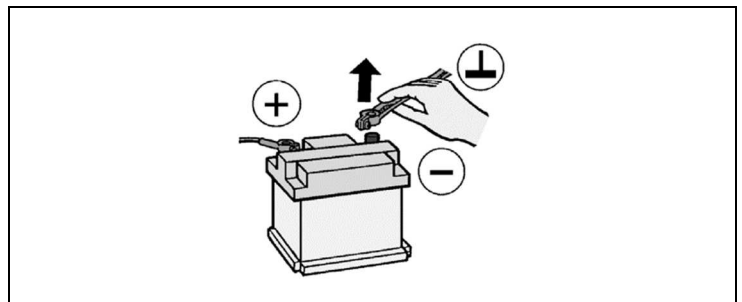
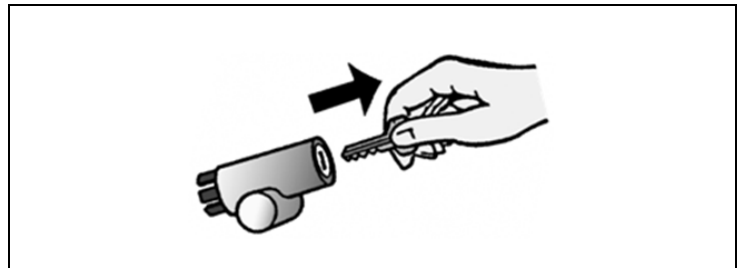
INSTALLATION

⚠️ WARNUNG

Vor Beginn der Arbeiten ist der Minuspol der Batterie abzuklemmen, da sonst Kurzschlussgefahr besteht. Wenn das Fahrzeug über Zusatzbatterien verfügt, müssen ggf. auch die Minuspole dieser Batterien abgeklemmt werden! Kurzschlüsse können Kabelbrände, Batterieexplosionen und Beschädigungen von anderen elektronischen Systemen verursachen. Bitte beachten Sie, dass beim Abklemmen der Batterie alle flüchtigen elektronischen Speicher ihre eingegebenen Werte verlieren und neu programmiert werden müssen.

VOR DER INSTALLATION

1. Vor Beginn der Arbeiten schalten Sie die Zündung aus und ziehen Sie den Zündschlüssel ab. Entfernen Sie ggf. den Hauptstromschalter.
2. Klemmen Sie den Minuspol der Batterie ab. Sichern Sie die Batterie gegen irrtümliches Wiedereinschalten.
3. Bei einer Montage des Gerätes in der Nähe eines Magnetkompasses beachten Sie den magnetischen Schutzabstand zum Kompass.



MONTAGE MIT SPINLOCK-MUTTER

Konventionelle Montage. (Gerät wird von vorn in die Bohrung gesteckt).

Die Panelstärke kann im Bereich von 0,5 bis 20 mm liegen. Die Bohrung muss einen Durchmesser von 53 mm haben [B].

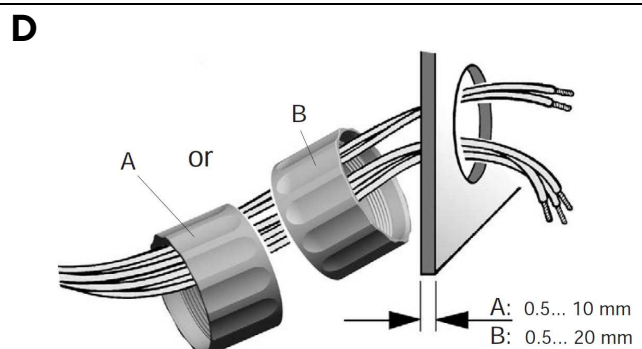
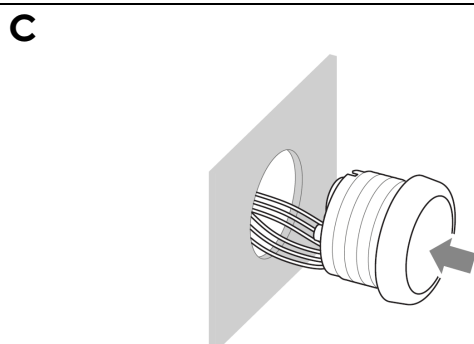
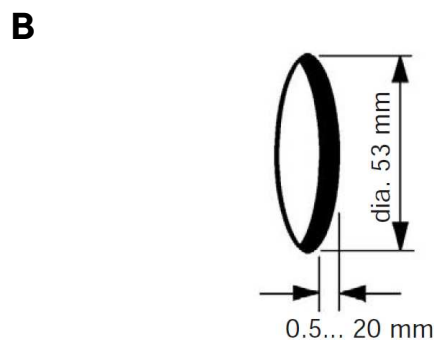
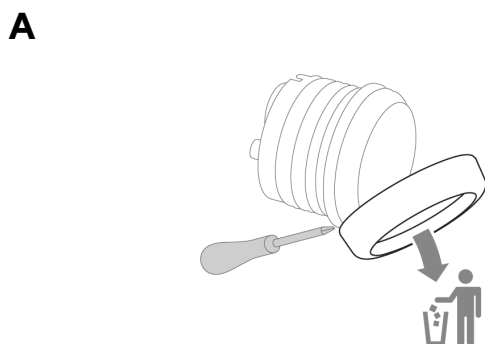
⚠️ WARNUNG

- Bohrungen und Einbauöffnungen nicht in tragende oder stabilisierende Streben oder Holme anbringen!
- Beim Einbauort auf den nötigen Freiraum hinter den Bohrungen oder der Einbauöffnung achten. Notwendige Einbautiefe 65 mm.
- Einbauöffnungen klein vorbohren, mit Konusfräser, Loch-, Stichsäge oder Feile gegebenenfalls vergrößern und fertig stellen. Kanten entgraten. Unbedingt die Sicherheitshinweise der Handwerkerhersteller beachten.

1. Alternativ zu der mitgelieferten Blende können verschiedene Blenden montiert werden. Entfernen Sie sie in diesem Fall vorsichtig mit einem Schraubendreher [A], bringen Sie die neue Blende am Instrument an und drücken Sie sie, bis sie bündig mit dem Deckglas ist.
Hinweis: Beim Entfernen wird der Frontring beschädigt und kann nicht mehr verwendet werden.

WICHTIG: Wenn Sie eine Chromblende installieren, müssen Sie das Gerät vor der Installation einrichten. Die in der Verchromung enthaltenen Metallpartikel können die Leistung der drahtlosen Schnittstelle beeinträchtigen!

2. Fertigen Sie eine runde Bohrung an und beachten Sie dabei die Aussenmasse des Geräts. [B]
3. Entfernen Sie die Spinlock-Mutter und setzen Sie das Gerät frontal ein. [C]
4. Die Spinlock-Mutter wie in [D] dargestellt, entsprechend der Dicke der Platte ausrichten.
5. Führen Sie die Kabel durch die Spinlock-Mutter und schrauben Sie diese vorsichtig mindestens zwei Umdrehungen weit ein.
6. Schliessen Sie die Stecker an.



BÜNDIGE MONTAGE

Die empfohlene Panelstärke liegt bei 1,5 bis 3mm. Die Bohrung muss einen Durchmesser von 48,1 mm haben [A].

Achten Sie darauf, dass der Einbauort eben ist und keine scharfen Kanten aufweist.

WARNUNG

- Bohrungen und Einbauöffnungen nicht in tragende oder stabilisierende Streben oder Holme anbringen!
- Beim Einbauort auf den nötigen Freiraum hinter den Bohrungen oder der Einbauöffnung achten. Notwendige Einbautiefe 65 mm.
- Einbauöffnungen klein vorbohren, mit Konusfräser, Loch-, Stichsäge oder Feile gegebenenfalls vergrößern und fertig stellen. Kanten entgraten. Unbedingt die Sicherheitshinweise der Handwerkerhersteller beachten.

1. Fertigen Sie eine runde Bohrung an und beachten Sie dabei die Aussenmasse des Geräts. [A]

2. Entfernen Sie die Spinlock-Mutter

3. Entfernen Sie den Frontring mithilfe eines Schraubendrehers. [B]

Hinweis: Beim Entfernen wird die Blende beschädigt und kann nicht mehr verwendet werden.

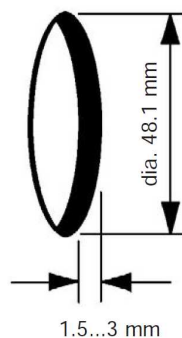
4. Legen Sie die Flushmount Dichtung A2C53215640 (nicht enthalten) auf das Deckglas.

5. Stecken Sie das Gerät von hinten in die Bohrung [C].

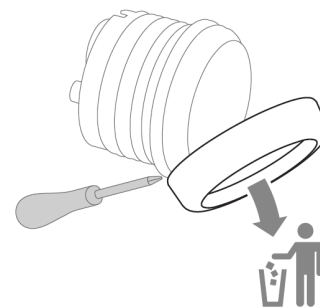
6. Richten Sie das Gerät aus, so dass die Ablesung gerade ist und fixieren Sie es mit dem Flushmount Befestigungsbügel A2C59510864 (nicht enthalten) auf den an der Panelrückseite angebrachten Stehbolzen [D].

7. Schliessen Sie die Stecker an.

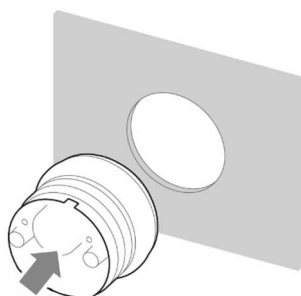
A



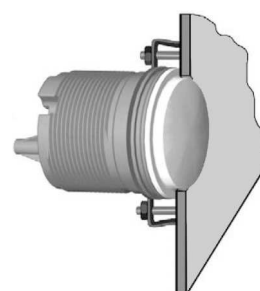
B



C



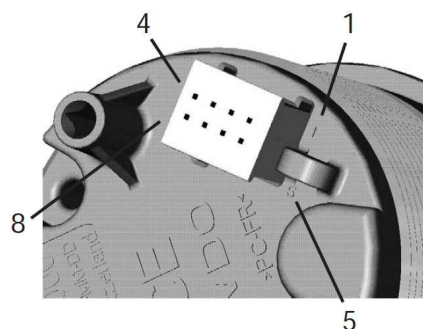
D



ANSCHLÜSSE

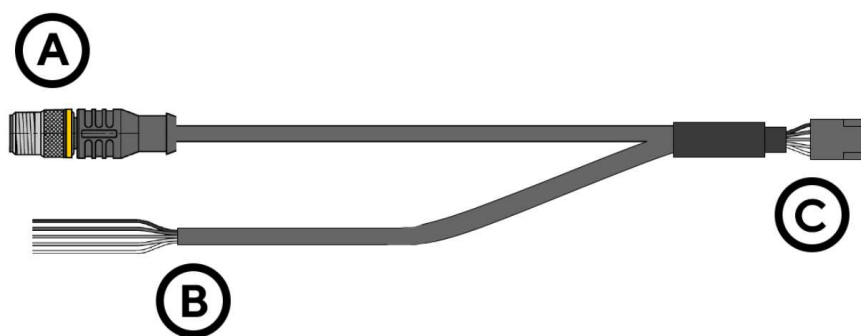
PINBELEGUNG

Pin Nr.	Kabelfarbe	Beschreibung
1	Rot	KL. 15 - Batterie 12 / 24 V
2	Schwarz	KL. 31 - Masse
3	Grün / Rot	Signal - Frequenzsensor
4	Gelb / Rot	Signal - Widerstandssensor
5	Blau / Weiss	LIN-Bus
6	Rot / Weiss	Beleuchtung Tag/Nacht
7	-	NMEA 2000 High (am M12-Stecker)
8	-	NMEA 2000 Low (am M12-Stecker)



Rückansicht VL Flex
Tyco / Hirschmann 8-poliger MQS plug

KABELBAUM

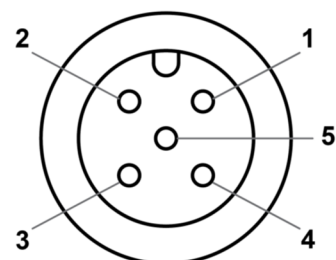


Kabelbaum VL Flex

- A: NMEA 2000® DeviceNet M12 5-poliger Stecker
- B: Kabel für Sensoranschluss und Stromversorgung (siehe Farben in der Tabelle)
- C: VL Flex Stecker - Tyco / Hirschmann MQS 8-poliger

NMEA 2000® PINBELEGUNG

Pin Nr.	Beschreibung
1	Abschirmung
2	NET-S (V+)
3	NET-C (V-)
4	NET-H (CAN H)
5	NET-L (CAN L)



Micro-C M12 5-poliger Stecker
Männlich, Kabel-Ansicht

ANSCHLUSS AN DAS NMEA 2000® NETZWERK

Nach Abschluss der Montage kann das Gerät über die dafür vorgesehene Buchse an der Verkabelung mit dem NMEA 2000®-Netzwerk verbunden werden.

Achten Sie darauf, den Stecker ganz anzuschrauben. Nur so kann garantiert werden, dass die Verbindung Wasserdicht ist.

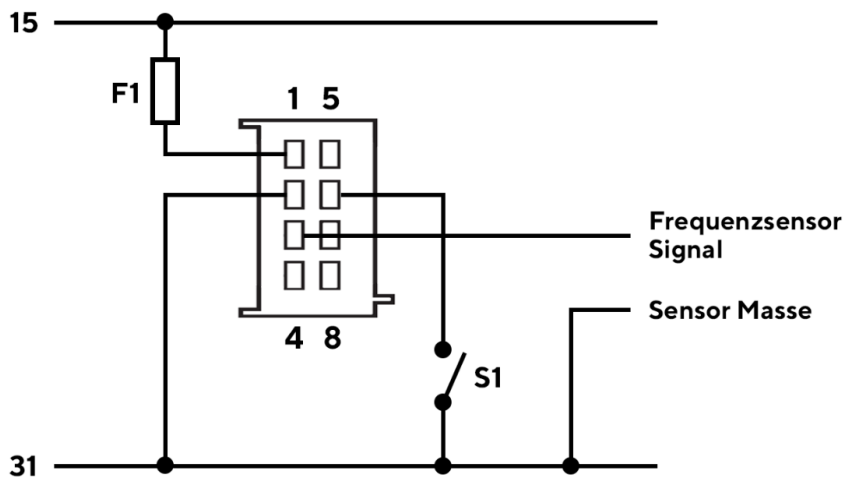
Ein Drop-Kabel ist nur erforderlich, wenn die Gesamtlänge der mitgelieferten Verkabelung nicht ausreicht, um das NMEA 2000®-Backbone zu erreichen. In diesem Fall ist es möglich, das Kabel mit einem der zusätzlichen Drop-Kabel zu verlängern.

Beachten Sie, dass NMEA 2000® keine Drop-Kabel zulässt, die länger als 6 Meter sind.

Halten Sie sich an den NMEA 2000®-Standard für einen korrekten Netzwerkaufbau.



ANSCHLUSS FREQUENZEINGANG



Bezeichnungen innerhalb des Anschlussplans:

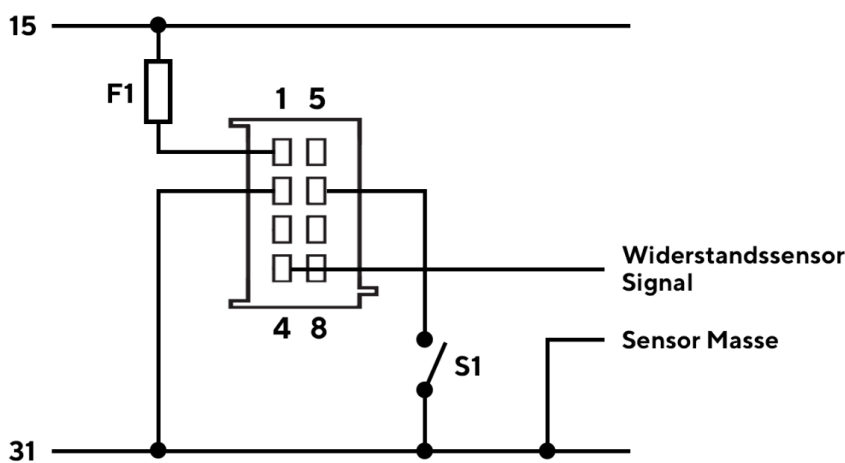
15 - KL. 15 - geschaltetes Plus 12/24 V (Zündung)

31 - KL. 31 - Masse

F1 - Sicherung 3A (nicht enthalten)

S1 - Beleuchtungsschalter Tag/Nacht (nicht enthalten)

ANSCHLUSS WIDERSTANDSENSOR



Bezeichnungen innerhalb des Anschlussplans:

15 - KL. 15 - geschaltetes Plus 12/24 V (Zündung)

31 - KL. 31 - Masse

F1 - Sicherung 3A (nicht enthalten)

S1 - Beleuchtungsschalter Tag/Nacht (nicht enthalten)

KONFIGURATION

VL FEX CONFIGURATOR APP

Um das VL Flex zu konfigurieren, müssen einige Parameter konfiguriert werden, z. B. der Anzeigetyp, der angeschlossene Sensor und seine Kalibrierung oder die Alarmschwelle.

Dies ist über die Smartphone-App "VL Flex Configurator" möglich, die sowohl für Android- als auch für iOS-Geräte kostenlos aus den Stores heruntergeladen werden kann.

Eine einfache Erklärung des Einrichtungsprozesses finden Sie auch als In-App-Anleitung.

Dank des passiven NFC-Empfängers kann das VL Flex Gerät, wie unten beschrieben, konfiguriert werden, ohne dass eine Stromversorgung erforderlich ist.



VL FLEX CONFIGURATOR



GERÄT KONFIGURIEREN

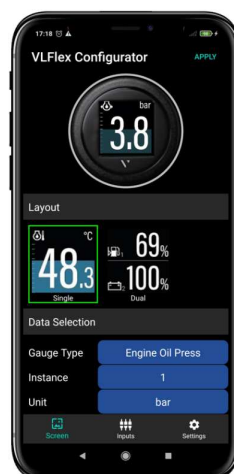
Das Einrichten des VL Flex-Geräts erfolgt in drei Schritten.

Denken Sie daran, dass die Konfiguration des Geräts gelesen werden muss, bevor diese geändert und in das Instrument geschrieben werden kann.

1. LESEN



2. KONFIGURIEREN



3. SCHREIBEN



1. KONFIGURATION AUSLESEN

Öffnen Sie die App "VL Flex Configurator" und lesen Sie die aktuelle Konfiguration des Geräts, indem Sie die Frontlinse des Geräts mit dem Smartphone "berühren".

Die READ-Operation ist obligatorisch, bevor die WRITE-Operation zulässig ist.

Nach dem Lesen wird die App mit der aktuellen Konfiguration des VL Flex eingestellt.



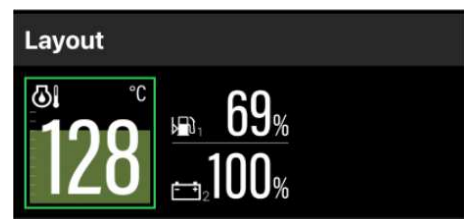
Hinweis: Die Position der Antenne auf dem Smartphone hängt vom Modell ab. Weitere Informationen finden Sie im Handbuch des Smartphone-Herstellers.

2. DISPLAY-LAYOUT WÄHLEN

Verwenden Sie den Abschnitt "Layout", um zwischen Einzel- und Doppelbild-Layouts zu wählen.

Das Vorschaubild oben auf dem App-Bildschirm wird entsprechend aktualisiert.

Wenn Dual Layout ausgewählt ist, erweitert die App die Geräteeinstellungen, um beide Felder des Bildschirms konfigurieren zu können.

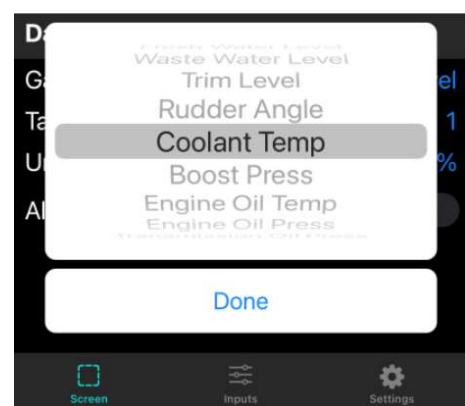


3. ANZEIGETYP WÄHLEN

Verwenden Sie das Element "Gauge Type" im Abschnitt "Data Selection", um die Daten auszuwählen, die auf dem VL Flex angezeigt werden sollen.

Wenn das Dual-Layout ausgewählt wurde, können Sie die Daten für den oberen als auch für den unteren Bereich des Bildschirms separat auswählen.

Hinweis: Die vollständige Liste der unterstützten Datentypen finden Sie in der Tabelle "Unterstützte Konfigurationen" dieses Dokuments.



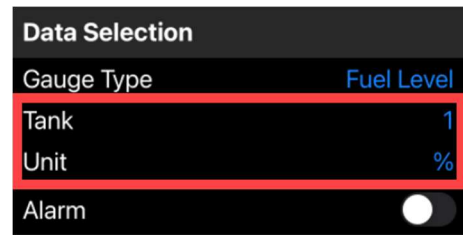
4. MASSEINHEITEN UND INSTANZ WÄHLEN

Definieren Sie die Masseinheit für die angezeigten Daten. (siehe Tabelle "Unterstützte Konfigurationen").

Stellen Sie die Instanz für die angezeigten Daten (z. B. Motornummer oder Tanknummer) so ein, dass sie auf dem Display korrekt angezeigt werden.

Einige Ruderlagensensoren senden ihre Daten auf einer eigenen Instanz statt auf der zugehörigen Instanz des Motors. Für diesen Fall muss die Option «Ignore» als Engine Instance ausgewählt werden.

Hinweis: Die definierte Instanz wird auch vom VL Flex verwendet, wenn Daten von NMEA 2000@ empfangen werden.



5. ALARMEINSTELLUNGEN

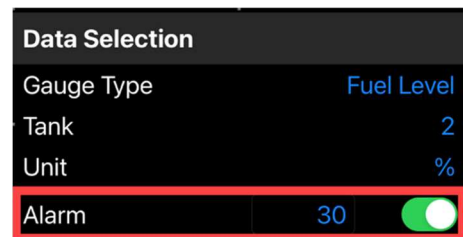
Für einige Datentypen kann ein Alarm eingestellt werden (siehe Tabelle "Unterstützte Konfigurationen").

Der Alarm kann über den entsprechenden Schalter in der App aktiviert oder deaktiviert werden.

Sobald die Option aktiviert ist, kann der Schwellwert über das entsprechende numerische Feld festgelegt werden.

Die Einheit der Alarmschwelle ist dieselbe Einheit, die im vorherigen Schritt definiert wurde.

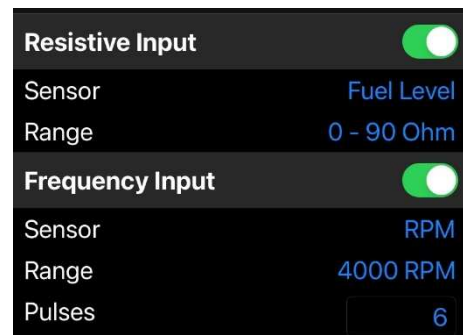
Hinweis: Die "Richtung" der Alarmschwelle (oben oder unten) ist vordefiniert (siehe Tabelle "Unterstützte Konfigurationen").



6. SENSOR KALIBRIEREN

Standardmässig geht das VL Flex davon aus, dass Daten über NMEA 2000@ empfangen werden, so dass die Analogeingänge deaktiviert sind.

Wenn ein Sensor über einen analogen Anschluss (Widerstand oder Frequenz) angeschlossen ist, kann er durch Aktivieren des entsprechenden Schalters in der App konfiguriert werden.



Hinweis: Abhängig von der Art der konfigurierten Anzeige kann dem Datentyp nur einer der verfügbaren Eingänge zugeordnet werden. (siehe Tabelle "Unterstützte Konfigurationen")

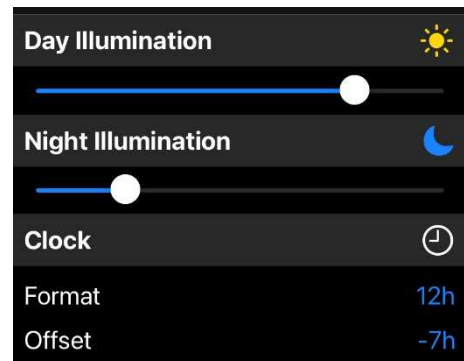
Wenn ein Dual-Layout (zwei Werte) ausgewählt wurde, können Sie auswählen, welche Daten als Analogeingang konfiguriert werden sollen. Die anderen Daten gelten als vom NMEA 2000®-Netzwerk empfangen.

7. BELEUCHTUNG UND UHR

Sie können die Konfiguration des VL Flex über die Registerkarte "Settings" abschliessen.

In diesem Abschnitt können Sie die Intensität der Hintergrundbeleuchtung bei Tag und Nacht mithilfe der Schieberegler einstellen.

Über diesen Bildschirm können auch die Uhreinstellungen (Format und Offset) angepasst werden.



Hinweis: Die Uhr wird nur über NMEA 2000® von einem externen GPS-Empfänger empfangen. Es wird vom VL Flex nicht intern mitgezählt.

8. KONFIGURATION ÜBERTRAGEN

Sobald die Konfiguration abgeschlossen ist, können Sie sie auf VL Flex herunterladen.

Drücken Sie die "APPLY" -Taste in der oberen rechten Ecke der App und "berühren" Sie die Frontlinse des Geräts mit dem Smartphone.



UNTERSTÜTZTE KONFIGURATIONEN

Anzeigetyp	Einheit	Widerstands Sensor	Frequenz Sensor	Kalibrierungen	Alarm verfügbar	PGN
Drehzahlmesser (<i>Engine Speed</i>)	rpm	-	✓	Impulse pro Umdrehung	Nein	127488
Bootsgeschwindigkeit (<i>Boat Speed</i>)	kn km/h mph	-	✓	Impulse pro Einheit	Nein	128259
Amperemeter (<i>Ammeter</i>)	A	-	-	-	Nein	127508
Voltmeter (<i>Voltmeter</i>)	V	-	-	Misst Versorgungsspannung	Nein	127508
Batterieladung (<i>Battery SOC</i>)	%	-	-	-	Ja (unten)	127506
Batteriezustand (<i>Battery SOH</i>)	%	-	-	-	Ja (unten)	127506
Batterietemperatur (<i>Battery Temperature</i>)	°C °F	-	-	-	Ja (oben)	127508
Batterieautonomie (<i>Battery Autonomy</i>)	h days	-	-	-	Nein	127506
Betriebsstunden (<i>Engine Hours</i>)	h	-	✓	Intern berechnet	Nein	127489
Speed Over Ground (<i>SOG</i>)	kn km/h mph	-	-	-	Nein	129026
Course Over Ground (<i>COG</i>)	deg	-	-	-	Nein	129026
Tiefe (<i>Depth</i>)	m ft	-	-	-	Ja (unten)	128267
Kraftstofffüllstand (<i>Fuel Level</i>)	%	✓	-	0 - 90 Ω 3 - 180 Ω 240 - 33 Ω 90 - 4 Ω 105 - 4 Ω	Ja (unten)	127505
Frischwasserfüllstand (<i>Fresh Water Level</i>)	%	✓	-	3 - 180 Ω 240 - 33 Ω 90 - 4 Ω	Nein	127505
Abwasserstand (<i>Waste Water Level</i>)	%	✓	-	3 - 180 Ω 240 - 33 Ω 90 - 4 Ω	Nein	127505

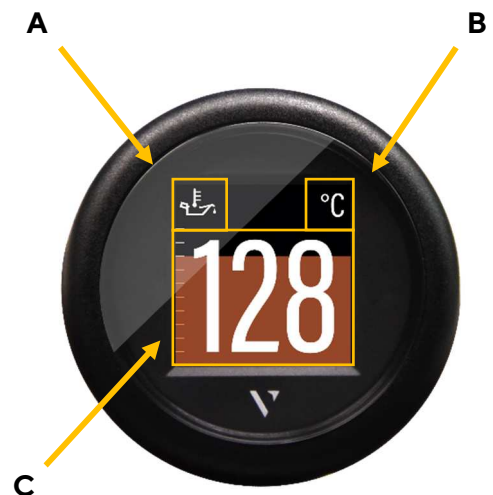
Anzeigetyp	Einheit	Widerstands Sensor	Frequenz Sensor	Kalibrierungen	KONFIGURATION	
					Alarm verfügbar	PGN
Trimmung (Trim Position)	%	✓	-	167 - 10 Ω (Single Station) 84 - 5 Ω (Dual Station)	Nein	127488
Ruderlage (Rudder Angle)	deg	✓	-	10 - 180 Ω (Single Station) 5 - 90 Ω (Dual Station)	Nein	127245
Kühlwassertemp. (Coolant Temperature)	°C °F	✓	-	291 - 22 Ω (120 °C) 322 - 19 Ω (150 °C)	Ja (oben)	127489
Ladedruck (Boost Pressure)	bar PSI	✓	-	10 - 184 Ω (2 bar) 10 - 184 Ω (5 bar)	Nein	127488
Motoröldruck (Oil Pressure)	bar PSI	✓	-	10 - 184 Ω (5 bar) 10 - 184 Ω (10 bar)	Ja (unten)	127489
Motoröltemp. (Oil Temperature)	°C °F	✓	-	322 - 19 Ω (150 °C)	Ja (oben)	127489
Getriebeöldruck (Gear Oil Pressure)	bar PSI	✓	-	10 - 184 Ω (10 bar) 10 - 184 Ω (25 bar) 10 - 211 Ω (30 bar)	Ja (unten)	127493
Getriebeöltemp. (Gear Oil Temperature)	°C °F	✓	-	322 - 19 Ω (150 °C)	Ja (oben)	127493
Uhr (Clock)	-	-	-	-	Nein	126992

* Unterstützte Konfigurationen können jederzeit aktualisiert werden. Stellen Sie sicher, dass Sie immer die neueste Version der App verwenden.

DISPLAY-LAYOUT

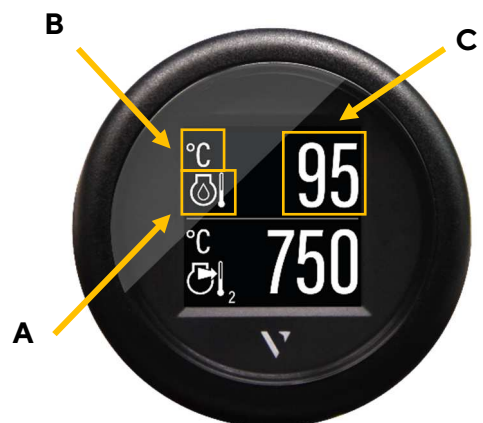
EINZELLAYOUT

A.	<p>Symbol Zeigt an, welcher Wert gerade auf dem Display angezeigt wird. Bei den Messwerten, für welche diese Funktion unterstützt wird, wird auch die Instanz angezeigt.</p>
B.	<p>Masseinheit Zeigt die Masseinheit des Messwertes an. Bei manchen Werten ist die Einheit per Konfigurationsapp verstellbar. (Siehe Tabelle: Unterstützte Konfigurationen)</p>
C.	<p>Messwert Zeigt den Zahlenwert des gewünschten Messwertes an. Wenn keine Daten empfangen werden oder der Sensor einen Wert ausserhalb der definierten Limite liefert, zeigt das Display "----".</p> <p>Graphische Darstellung des Messwertes Für einige Daten wird im Hintergrund der Messwert in Form eines farbigen Diagrammes mit Skalierung am Seitenrand des Bildschirms dargestellt.</p>



DOPPELLAYOUT

A.	<p>Symbol Zeigt an, welcher Wert gerade auf dem Display dargestellt wird. Bei den Messwerten, für welche diese Funktion unterstützt wird, wird auch die Instanz angezeigt.</p>
B.	<p>Masseinheit Zeigt die Masseinheit des Messwertes an. Bei manchen Werten ist die Einheit per Konfigurationsapp verstellbar. (Siehe Tabelle: Unterstützte Konfigurationen)</p>
C.	<p>Messwert Zeigt den Zahlenwert des gewünschten Messwertes an. Wenn keine Daten empfangen werden oder der Sensor einen Wert ausserhalb der definierten Limite liefert, zeigt das Display "----" an.</p>



ALARM-DISPLAY

**Im Einzellayout**

Sobald ein Alarm ausgelöst wird, ändert sich die Farbe des Balkendiagramms in rot und ein kleines Alarmsymbol wird im oberen Teil des Displays, zwischen dem Messwert-Symbol und der Masseinheit angezeigt.

Sobald sich der alarmierende Wert normalisiert, wechselt das Display wieder zum normalen Layout.

**Im Doppellayout**

Wenn ein Alarm bei einem der beiden Messwerte auftritt, werden die Ziffern des Zahlenwertes rot dargestellt.

Im Beispiel oben, ist ein Alarm im unteren Messwert (Abgastemperatur) aktiv.

Sobald sich der alarmierende Wert wieder normalisiert, wechselt das Display wieder zum normalen Layout.

TECHNISCHE DATEN

DATENBLATT

Bildschirm	1,44-Zoll-TFT-Farbdisplay, sonnenlesbar, transmissiv
Bildschirmauflösung	125 x 125 Pixel
Nennspannung	12 V / 24 V
Betriebsspannung	8 – 32 V mit Überspannungs- und Verpolungsschutz
Stromaufnahme	50 mA mit maximaler Beleuchtungsintensität
Analoge Eingänge	Resistiv (0 – 400 Ω) Frequenz (W, Ind., Hall, Generator)
Digitale Eingänge	NMEA 2000®, LIN-Bus
Drahtlose Schnittstelle	NFC (Near Field Communication)
Schutzklasse	IP 67 Frontseite (IEC60529)
Deckglas	PMMA mit Anti-Fog- und Anti-Glare Beschichtung
Gehäuse	Ø52 mm – Polycarbonat (PC), flammhemmend (UL94-V0)
Frontring	PC (schwarz, weiss) oder ABS (Chrom); verschiedenen Farben und Formen
Betriebstemperatur	-20°C bis +70°C
Lagertemperatur	-30°C bis +80°C
Anschluss	Tyco / Hirschmann MQS 8-Pol
Befestigung	Spinlock-Mutter; Klemmhöhe 0,5mm – 20mm, Optional Bügel und Stehbolzen, Klemmhöhe 2 – 15mm
Normen	CE, Reach, RoHS

UNTERSTÜTZTE NMEA 2000® PGNS

Beschreibung	PGN
ISO Address Claim	60928
ISO Request	59904
ISO Transport Protocol, Data Transfer	60160
ISO Transport Protocol, Connection Management	60416
ISO Acknowledgment	59392
NMEA - Request group function	126208
System Time	126992
Heartbeat	126993
Configuration Information	126998
Product Information	126996
PGN List - Received PGNs group function	126464
Rudder	127245
Fluid Level	127505
DC Detailed Status	127506
Battery Status	127508
Engine Parameters, Rapid Update	127488
Engine Parameters, Dynamic	127489
Transmission Parameters, Dynamic	127493
Speed, Water Referenced	128259
Water Depth	128267
COG & SOG, Rapid Update	129026

ZUBEHÖR

Zubehörteil	Teilenummer
Kabelbaum mit M12 Stecker	A2C9582260001
Spinlock-Mutter 52 mm	A2C5205947101
Kit für bündige Montage	A2C59510864
Dichtung für bündige Montage	A2C53215640
Frontring - Rund Schwarz	A2C5318602701
Frontring - Rund Weiss	A2C5318602801
Frontring - Rund Chrom*	A2C5318602901
Frontring - Dreieckig Schwarz	A2C5318602401
Frontring - Dreieckig Weiss	A2C5318602501
Frontring - Dreieckig Chrom *	A2C5318602601
Frontring - Flach Schwarz	A2C5318604001
Frontring - Flach Weiss	A2C5318602201
Frontring - Flach Chrom *	A2C5318602301

Besuchen Sie <http://www.veratron.com> für die vollständige Liste der verfügbaren Zubehöre.

* Der Chrom Frontring kann aufgrund der im Chrom enthaltenen Metallpartikel die NFC-Programmierung beeinträchtigen. Stellen Sie sicher, dass Sie das VL Flex-Gerät konfigurieren, bevor Sie den Chrom Frontring installieren!



veratron AG
Industriestrasse 18
9464 Rüthi, Switzerland

T +41 71 7679 111
info@veratron.com
veratron.com

Eine teilweise oder vollständige Verbreitung, Übersetzung oder Vervielfältigung des Dokuments ist ohne vorherige schriftliche Zustimmung der veratron AG mit Ausnahme der folgenden Massnahmen strengstens untersagt:

- Drucken Sie das Dokument ganz oder teilweise in seiner Originalgrösse.
- Vervielfältigung des Inhalts ohne Änderung und Erklärung durch die Veratron AG als Urheberrechtsinhaber.

Die Veratron AG behält sich das Recht vor, Änderungen oder Verbesserungen an der zugehörigen Dokumentation ohne vorherige Ankündigung vorzunehmen.

Genehmigungsanträge, zusätzliche Kopien dieses Handbuchs oder technische Informationen dazu sind an die veratron AG zu richten.

VL FLEX 52MM SERIES

VL FLEX 52

NMEA 2000

ISTRUZIONI PER L'USO
rev. AB



EN

DE

IT

FR

ES

PT

INDICE

Indice	2
Introduzione	3
Contenuto della confezione	3
L'indicatore all-in-one	3
Configurazione contactless	3
Indicazioni per la sicurezza	4
Sicurezza durante il montaggio	4
Sicurezza dopo il montaggio.....	5
Collegamento elettrico	5
Installazione	7
Prima del montaggio	7
Montaggio tramite spinlock.....	8
Montaggio a filo	9
Connessioni	10
Piedinatura	10
Cablaggio.....	10
Piedinatura connettore NMEA 2000®.....	11
Connessione alla rete NMEA 2000®.....	11
Connessione sensore in frequenza	12
Connessione sensore resistivo	12
Configurazione	13
VL Flex configurator app	13
Configurazione del VL Flex	13
Configurazioni supportate.....	17
Disposizione del display	19
Layout singolo.....	19
Doppio layout.....	19
Alarm display	20
Dati tecnici	21
Datasheet.....	21
PGN NMEA 2000® supportati.....	22
Accessori	23

INTRODUZIONE

CONTENUTO DELLA CONFEZIONE

Numero di articolo	Descrizione
B00043501	1x VL Flex - NMEA 2000
A2C5205947101	1x 52 mm Spinlock di fissaggio
A2C9582260001	1x Cablaggio
B000100	1x Istruzioni sulla sicurezza

L'INDICATORE ALL-IN-ONE

Il dispositivo VL Flex può essere facilmente configurato per essere lo strumento di cui hai bisogno, grazie al suo display TFT da 1,44 pollici leggibile al sole incorporato in un corpo standard di diametro 52 mm.

Gli ingressi analogici supportati consentono di leggere direttamente dai sensori del motore e l'interfaccia NMEA 2000® amplia questa possibilità consentendo al VL Flex di leggere dalla rete digitale.

La grafica semplice ma efficace può essere impostata in un layout singolo o doppio, presentando i dati in una forma chiara e intuitiva, mentre la barra colorata e la visualizzazione degli allarmi consentono di comprendere visivamente i dati.

CONFIGURAZIONE CONTACTLESS

Grazie alla configurazione contactless puoi configurare il tuo strumento all-in-one con un semplice "tap"!

Avvia l'app per smartphone e definisci le tue impostazioni attraverso l'interfaccia user-friendly, quindi tieni semplicemente il tuo dispositivo mobile in prossimità del VL Flex per trasferire la configurazione istantaneamente.

Grazie all'antenna passiva incorporata la configurazione può essere eseguita senza alimentazione!

INDICAZIONI PER LA SICUREZZA

AVVERTENZA

- Non fumare! Evitare fiamme libere o fonti di calore!
- Il prodotto è stato messo a punto, fabbricato e controllato secondo i requisiti fondamentali di sicurezza della direttiva CE e in base agli standard tecnici comunemente accettati.
- Questo prodotto è stato progettato per l'utilizzo su imbarcazioni da diporto e non per utilizzo professionale.
- L'apparecchio è destinato all'uso in veicoli e macchine messi a terra e per l'uso nella navigazione sportiva compresa quella professionale non classificata.
- Utilizzare il prodotto esclusivamente per l'uso per cui è previsto. Le conseguenze di un utilizzo improprio del prodotto possono causare lesioni a persone e danni a cose o all'ambiente. Prima del montaggio accertarsi del tipo di veicolo e della presenza di eventuali particolarità deducendo i dati necessari dai documenti del veicolo!
- Accertarsi in base ai disegni costruttivi della posizione dei condotti del carburante/della parte idraulica/ dei condotti elettrici e dell'aria compressa!
- Tenere conto nel montaggio di eventuali modifiche apportate al veicolo.
- Per effettuare il montaggio è necessario avere nozioni di base in campo automobilistico/nella parte elettrica e meccanica delle costruzioni navali allo scopo di evitare lesioni a persone, danni a cose e all'ambiente.
- Accertarsi che sia impossibile mettere inavvertitamente in moto il motore durante le operazioni di montaggio!
- Modifiche o manipolazioni del prodotto veratron possono compromettere la sicurezza. Non sono pertanto ammesse manovre di modifica o manipolazione.
- Per il montaggio/lo smontaggio dei sedili, ricoperture ecc. accertarsi di non danneggiare cavi né staccare collegamenti a spina.
- Annotare tutti i dati relativi ad altri apparecchi installati con memoria elettronica transitoria.

SICUREZZA DURANTE IL MONTAGGIO

- Nell'esecuzione del montaggio accertarsi che i componenti del prodotto non condizionino né compromettano le funzioni del veicolo e che non si danneggino!
- Montare esclusivamente pezzi integri sul veicolo!
- Durante il montaggio accertarsi che il campo visivo non venga compromesso dal prodotto e che il prodotto non venga posizionato in un punto in cui possa entrare in collisione con la testa del conducente e del passeggero.
- Far eseguire il montaggio del prodotto da un addetto specializzato. Se si desidera effettuare personalmente il montaggio indossare abbigliamento da lavoro adeguato non largo perché potrebbe impigliarsi nelle parti mobili.
- Se necessario indossare una retina per i capelli lunghi.
- Per lavorare alla parte elettrica di bordo non portare gioielli metallici o in materiale conduttore come collane, bracciali, anelli ecc.
- Prestare particolare cautela allo svolgimento di eventuali lavori con il motore acceso. Portare solo abbigliamento da lavoro adeguato per evitare possibili rischi di lesioni da schiacciamento o scottatura.
- Prima di iniziare a lavorare staccare il morsetto del polo negativo della batteria per evitare il rischio di corto circuito. Se il veicolo è dotato di batterie supplementari occorre staccare eventualmente anche il polo negativo di tutte le batterie. I corto circuiti possono bruciare i

INDICAZIONI PER LA SICUREZZA

cavi, far esplodere le batterie e causare danni ad altri sistemi elettronici. Ricordarsi che staccando la batteria tutti i dati inseriti nella memoria elettronica transitoria andranno persi e dovranno essere riprogrammati.

- Nelle barche con motore a benzina accendere il ventilatore del motore prima di iniziare a lavorare al vano motore.
- Attenzione al percorso di cavi o fasci di fili per evitare di danneggiarli durante operazioni di perforazione e taglio con la sega!
- Non effettuare il montaggio nella parte meccanica ed elettrica dell'airbag!
- Non praticare fori né aperture in sostegni o longheroni portanti o stabilizzanti!
- Prima di lavorare sotto il veicolo metterlo in sicurezza come indicato dal produttore.
- Il punto in cui effettuare il montaggio deve avere uno spazio libero sufficiente dietro i fori o le aperture di montaggio. La profondità di lavoro necessaria è di 65 mm.
- Praticare dei fori piccoli con il trapano, utilizzando una fresa conica eventualmente ingrandirli con una fresatura conica, con una sega da traforo, una sega a coda o con una lima

e rifinirli. Sbavare i bordi. Attenersi assolutamente alle indicazioni di sicurezza del produttore dell'utensile.

- Per i lavori per cui è necessario interrompere la tensione utilizzare esclusivamente un utensile isolato.
- Per la misurazione della tensione e della corrente nel veicolo/macchina o barca utilizzare solo l'apposito multimetro o lampade di controllo a diodi. L'impiego delle tradizionali lampade di controllo può causare danni agli apparecchi di controllo o ad altri sistemi elettronici.
- Le uscite elettriche degli indicatori e i cavi collegati non devono essere a contatto diretto e devono essere protette da possibili danneggiamenti. A questo scopo i cavi utilizzati devono essere sufficientemente isolati e avere una sufficiente resistenza alla tensione. I punti di contatto devono essere sicuri se toccati.
- Anche le parti conduttrici elettriche del dispositivo assorbitore di corrente collegato vanno protette dal contatto diretto mediante adeguate misure. È vietata la posa di cavi metallici e contatti non rivestiti.

SICUREZZA DOPO IL MONTAGGIO

- Il cavo di massa sia ben fisso al polo negativo della batteria.
- Riprogrammare/programmare i valori della memoria elettronica transitoria.
- Verificare tutte le funzioni.
- Per la pulizia dei componenti utilizzare solo acqua pulita. Rispettare i tipi di protezione IP (IEC 60529).

COLLEGAMENTO ELETTRICO

- Utilizzare solo il cavo con la sezione richiesta!
- Riducendo la sezione del diametro del cavo si ottiene una maggiore densità della corrente con conseguente riscaldamento della parte di cavo interessata!
- Nella posa dei cavi elettrici utilizzare le canaline e le fascette di cavi presenti non mettendo però i cavi parallelamente a quelli dell'accensione o parallelamente a quelli di dispositivi che assorbono molta corrente.
- Fissare i cavi con le apposite fascette o nastri. Non farli passare su parti mobili e non fissarli al piantone dello sterzo!
- Assicurarsi che i cavi non siano esposti a trazioni, pressioni o a condizioni in cui possano essere recisi.
- Se i cavi passano attraverso i fori proteggerli con passanti isolanti in gomma o simili.
- Per isolare i cavi utilizzare una pinza isolante maneggiandola in modo da evitare danni o tagli di cavetti.

- Unire i nuovi collegamenti praticati tra i cavi solo con saldature dolci o utilizzare il collegamento a pressione comunemente in commercio!
- Effettuare i collegamenti a pressione solo con una pinza pressacavi attenendosi alle indicazioni di sicurezza del produttore dell'utensile.
- Isolare i cavetti liberi per evitare corto circuiti.
- **Attenzione:** pericolo di corto circuito causato da collegamenti difettosi o cavi danneggiati.
- I corto circuiti alla rete di bordo possono bruciare cavi, causare esplosioni delle batterie

INDICAZIONI PER LA SICUREZZA

- e danni di altri sistemi elettronici, perciò tutti i collegamenti dell'alimentazione di tensione vanno dotati di giunti di testa saldabili e devono essere sufficientemente isolati.
- Verificare in particolare l'efficienza dei collegamenti a massa.
 - I collegamenti sbagliati possono causare corto circuiti. Collegare i cavi solo seguendo lo schema elettrico degli attacchi.
 - Per il funzionamento dell'apparecchio con alimentatori di rete assicurarsi che gli alimentatori siano stabili e che siano stati prodotti in conformità alle seguenti norme: DIN EN 61000 - parte 6-1 fino al punto 6-4.

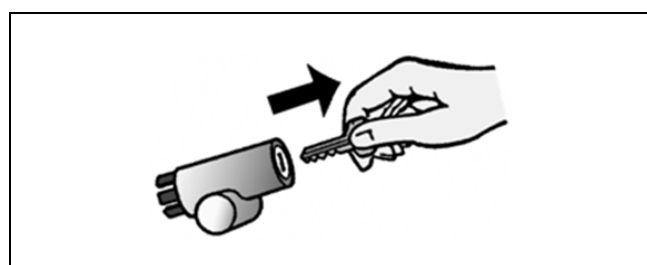
INSTALLAZIONE

AVVERTENZA

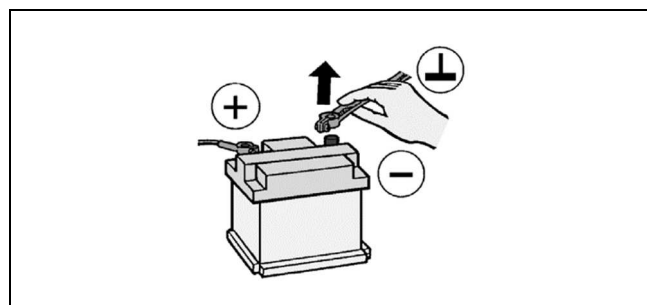
Prima di iniziare a lavorare staccare il morsetto del polo negativo della batteria per evitare il rischio di corto circuito. Se il veicolo è dotato di batterie supplementari occorre staccare eventualmente anche il polo negativo di tutte le batterie. I corto circuiti possono bruciare i cavi, far esplodere le batterie e causare danni ad altri sistemi elettronici. Ricordarsi che staccando la batteria tutti i dati inseriti nella memoria elettronica transitoria andranno persi e dovranno essere riprogrammati.

PRIMA DEL MONTAGGIO

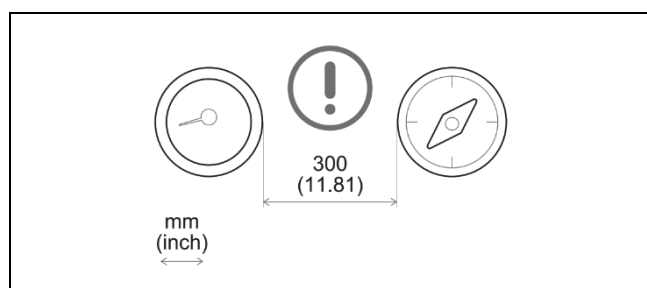
1. Prima di iniziare a lavorare spegnere l'accensione ad estrarre la chiave di accensione. Eventualmente rimuovere l'interruttore principale della corrente.



2. Staccare il polo negativo della batteria. Evitare che la batteria possa erroneamente essere ricollegata.



3. In caso di montaggio dell'apparecchio in prossimità di una bussola magnetica mantenere la distanza di protezione dalla bussola.



MONTAGGIO TRAMITE SPINLOCK

Montaggio convenzionale. (Lo strumento viene inserito nel foro dalla parte anteriore).
Lo spessore del pannello può essere da 0,5 a 20 mm. Il foro deve avere un diametro di 53 mm [B].

AVVERTENZA

- Non praticare fori né aperture di montaggio in sostegni o longheroni portanti o stabilizzanti!
- Il punto in cui effettuare il montaggio deve avere uno spazio libero sufficiente dietro i fori o le aperture di montaggio. La profondità di montaggio necessaria è di 65 mm.
- Praticare dei fori piccoli con il trapano, eventualmente ingrandirli utilizzando una fresa conica, una sega da traforo, sega a coda o una lima e rifinirli. Sbavare i bordi. Attenersi assolutamente alle indicazioni di sicurezza del produttore dell'utensile.

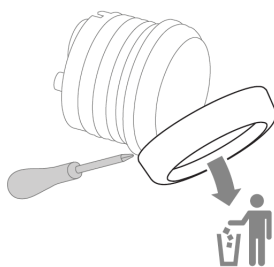
1. In alternativa alla cornice frontale in dotazione è possibile montare differenti cornici. In questo caso, rimuovere delicatamente la cornice con l'aiuto di un cacciavite [A], applicare la nuova cornice allo strumento e premerla finché non è a livello della lente frontale.

Nota: dopo la rimozione la mascherina non può più essere usata perché danneggiata.

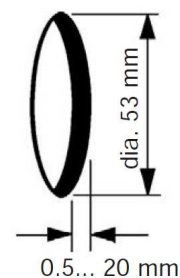
IMPORTANTE: se si installa una cornice cromata, assicurarsi di configurare il dispositivo PRIMA di installarla. Le particelle metalliche contenute nella cromatura potrebbero influenzare le prestazioni dell'interfaccia wireless!

2. Creare un foro circolare nel pannello considerando l'ingombro del dispositivo. [B]
3. Rimuovere lo spinlock e inserire frontalmente il dispositivo. [C]
4. Orientare lo spinlock come mostrato in figura [D] in base allo spessore del pannello.
5. Far passare i cavi nello spinlock e avvitarlo con cautela per almeno due giri.
6. Installare il connettore.

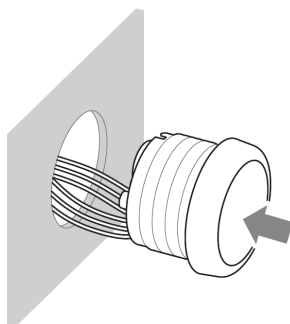
A



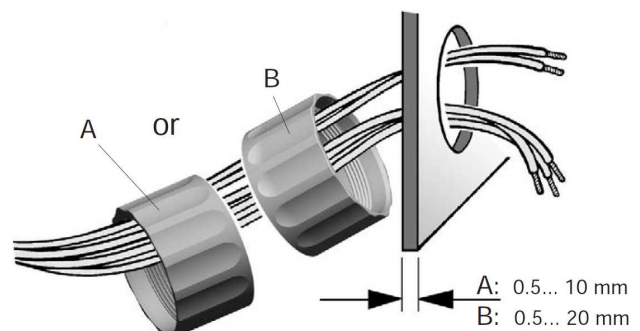
B



C



D



MONTAGGIO A FILO

Lo spessore consigliato del pannello è di circa 1,5 mm - 3 mm. Il foro deve avere un diametro di 48,1 mm. [A]

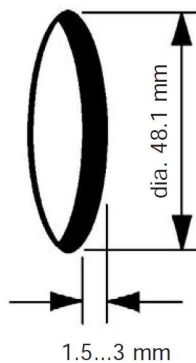
Assicurarsi che il punto di montaggio sia piano e privo di bordi taglienti.

AVVERTENZA

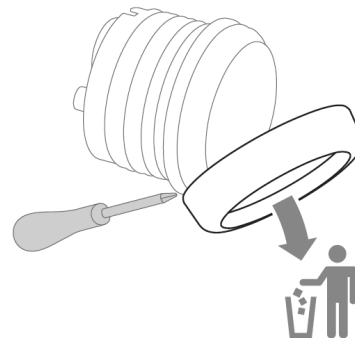
- Non praticare fori né aperture di montaggio in sostegni o longheroni portanti o stabilizzanti!
- Il punto in cui effettuare il montaggio deve avere uno spazio libero sufficiente dietro i fori o le aperture di montaggio. La profondità di montaggio necessaria è di 65 mm.
- Praticare dei fori piccoli con il trapano, eventualmente ingrandirli utilizzando una fresa conica, una sega da traforo, sega a coda o una lima e rifinirli. Sbavare i bordi. Attenersi assolutamente alle indicazioni di sicurezza del produttore dell'utensile.

1. Creare un foro circolare nel pannello considerando l'ingombro del dispositivo. [A]
2. Rimuovere lo spinlock.
3. Rimuovere delicatamente la cornice con l'aiuto di un cacciavite. [B]
Nota: dopo la rimozione la cornice non può più essere usata perché danneggiata.
4. Inserire la guarnizione per il montaggio a filo A2C53215640 (non incluso) sulla lente frontale.
5. Inserire il dispositivo nel foro dal retro [C].
6. Orientare il dispositivo in modo che la lettura sia dritta e fissarlo con gli accessori del kit di montaggio A2C59510864 (non incluso) [D].
7. Installare il connettore.

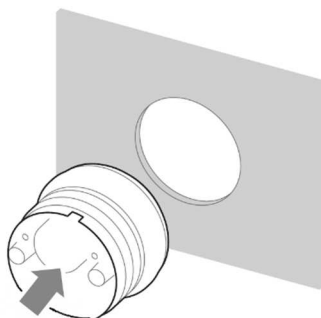
A



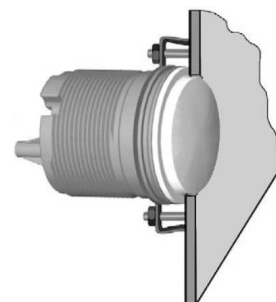
B



C



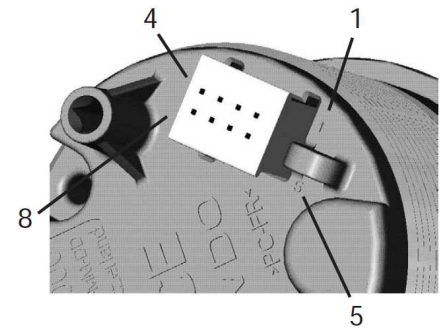
D



CONNESSIONI

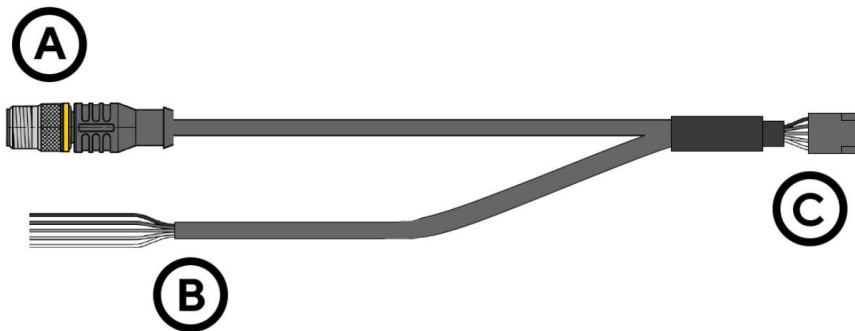
PIEDINATURA

Pin No.	Colore del filo	Descrizione
1	Rosso	KL. 15 - Alimentazione 12 / 24 V
2	Nero	KL. 31 - Massa
3	Verde / Rosso	Segnale sensore in frequenza
4	Giallo / Rosso	Segnale sensore resistivo
5	Blu / Bianco	LIN bus
6	Rosso / Bianco	Illuminazione Giorno/Notte
7	-	NMEA 2000 High (sul connettore M12)
8	-	NMEA 2000 Low (sul connettore M12)



Visuale posteriore VL Flex 52 Tyco / Hirschmann 8-poles MQS plug

CABLAGGIO

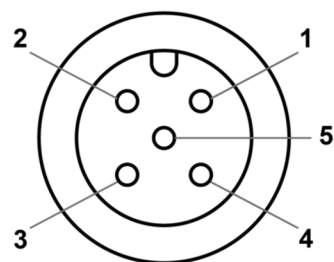


Cablaggio VL Flex

- A. Connettore NMEA 2000® DeviceNet M12 5 pin
- B. Fili per connessione sensori ed alimentazione (vedi colori nella tabella)
- C. Connettore VL Flex 52 - Tyco / Hirschmann MQS plug 8 pins

PIEDINATURA CONNETTORE NMEA 2000®

Pin No.	Descrizione
1	Schermatura
2	NET-S (V+)
3	NET-C (V-)
4	NET-H (CAN H)
5	NET-L (CAN L)



Micro-C M12 5 poles plug
Maschio, vista cavo

CONNESSIONE ALLA RETE NMEA 2000®

Una volta completata l'installazione è possibile interfacciare il dispositivo alla rete NMEA 2000® tramite la presa dedicata sul cablaggio.

Assicurarsi di serrare il connettore M12 avvitandolo sulla sua controparte, in modo da preservarne la tenuta stagna.

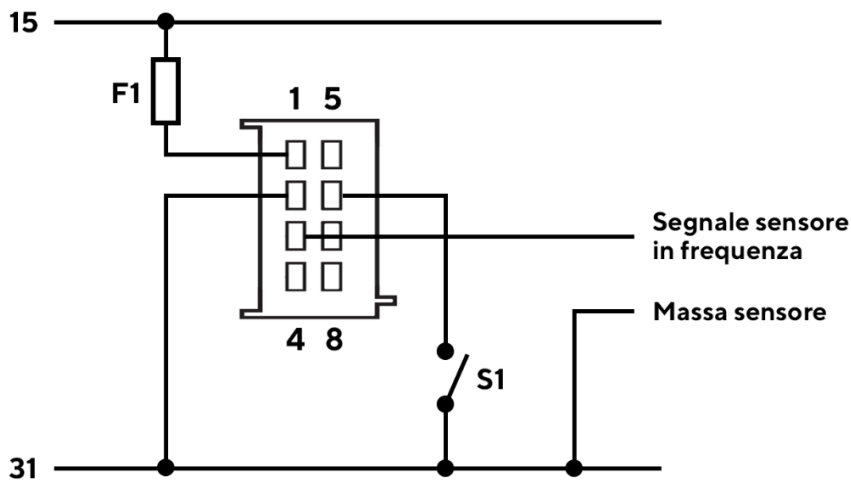
Non è necessario un cavo di derivazione (drop) a meno che la lunghezza totale del cablaggio in dotazione non sia sufficiente per raggiungere la dorsale NMEA 2000®. In questo caso è possibile estendere la lunghezza totale utilizzando uno dei cavi di derivazione accessori.

Si noti che NMEA 2000® non consente cavi di derivazione (drop) più lunghi di 6 metri.

Fare riferimento allo standard NMEA 2000® per una corretta progettazione della rete.



CONNESSIONE SENSORE IN FREQUENZA



Denominazioni nello schema elettrico:

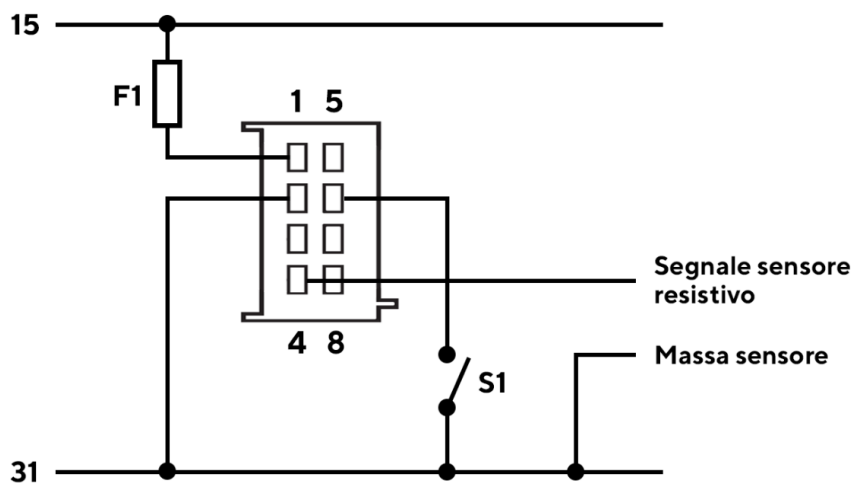
15 - KL. 15 - Positivo accensione 12/24 V

31 - KL. 31 - Massa

F1 - Fusibile 3A (non incluso)

S1 - Selettore illuminazione Giorno/Notte (non incluso)

CONNESSIONE SENSORE RESISTIVO



Denominazioni nello schema elettrico:

15 - KL. 15 - Positivo accensione 12/24 V

31 - KL. 31 - Massa

F1 - Fusibile 3A (non incluso)

S1 - Selettore illuminazione Giorno/Notte (non incluso)

CONFIGURAZIONE

VL FLEX CONFIGURATOR APP

Per configurare il VL Flex 52- NMEA 2000, è necessario configurare alcuni parametri, come il tipo di indicatore, il sensore collegato e la sua calibrazione o la soglia di allarme.

Ciò è possibile tramite l'App per smartphone "VL Flex Configurator", scaricabile gratuitamente dagli store sia per dispositivi Android che iOS.

Una semplice e dettagliata spiegazione del processo di configurazione è disponibile anche come istruzioni in-app.

Grazie al ricevitore NFC passivo, il VL Flex 52 può essere configurato, come di seguito descritto, senza bisogno di alimentazione.



VL FLEX CONFIGURATOR



CONFIGURAZIONE DEL VL FLEX

La configurazione del dispositivo VL Flex è un processo intuitivo suddiviso in tre fasi.

Si ricorda che è necessario LEGGERE la configurazione del dispositivo prima di poterla modificare e scrivere nello strumento.

1. LEGGI



2. CONFIGURA



3. SCRIVI



1. LEGGERE LA CONFIGURAZIONE DEL VL FLEX

Lanciare l'App "VL Flex Configurator" e leggere l'effettiva configurazione del dispositivo "toccando" con lo smartphone la lente frontale del dispositivo.

L'operazione di LETTURA è obbligatoria prima che sia consentita l'operazione di SCRITTURA.

Dopo la lettura, l'App verrà impostata con la configurazione attuale del VL Flex.



Nota: La posizione dell'antenna sullo smartphone dipende dal modello.

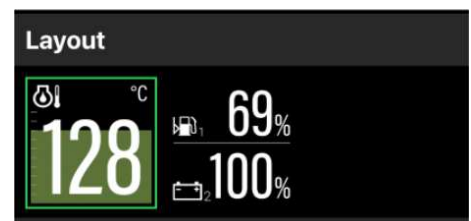
Fare riferimento al manuale del produttore dello smartphone.

2. SELEZIONARE IL LAYOUT DEL DISPLAY

Utilizzare la sezione "Layout" per scegliere tra i layout a schermo singolo e doppio.

L'immagine di anteprima nella parte superiore della schermata dell'app si aggiornerà di conseguenza.

Se è selezionato il layout Dual, l'App estenderà le impostazioni del dispositivo per configurare entrambi i campi dello schermo.

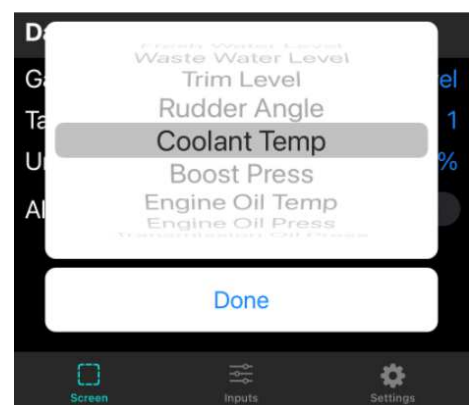


3. SELEZIONARE IL TIPO DI INDICATORE

Utilizzare la voce "Gauge Type" nella sezione "Data Selection" per scegliere i dati che si desidera visualizzare sul VL Flex.

Se è stato selezionato il layout Dual, sarà possibile selezionare il dato da visualizzare per entrambe le sezioni superiore e inferiore dello schermo.

Nota: L'elenco completo dei tipi di dato supportati è disponibile nella tabella "Configurazioni supportate" di questo documento.

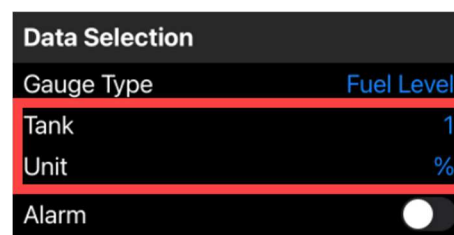


4. SCEGLIERE LE UNITÀ E L'ISTANZA

Definire l'unità per il dato visualizzato se più di una è disponibile (vedere la tabella "Configurazioni supportate").

Impostare l'istanza per il dato visualizzato (ad es. numero motore o numero serbatoio) in modo che anche sia indicato correttamente sul display.

Nota: L'istanza definita viene inoltre utilizzata dal VL Flex nel caso in cui i dati siano ricevuti da NMEA 2000®.



5. CONFIGURARE UN ALLARME

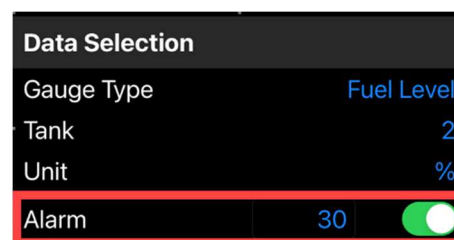
Per alcuni tipi di dato è possibile impostare un allarme (vedere la tabella "Configurazioni supportate").

È possibile attivare o disattivare l'allarme utilizzando lo switch apposito nella App.

Una volta attivo, è possibile impostarne la soglia tramite il campo numerico dedicato.

L'unità della soglia di allarme è la stessa unità definita nel passaggio precedente.

Nota: la "direzione" della soglia di allarme (superiore o inferiore) è predefinita (vedi tabella "Configurazioni supportate").



6. CALIBRARE IL SENSORE

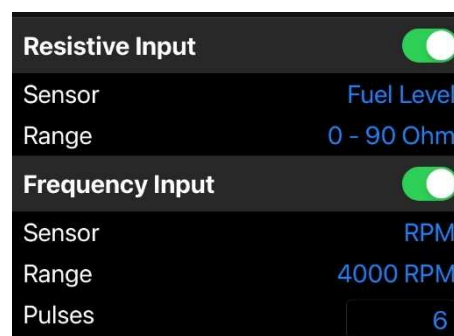
Di default, il VL Flex presume che i dati vengano ricevuti tramite NMEA 2000®, quindi gli ingressi analogici sono disattivati.

Se un sensore è collegato tramite porta analogica (resistiva o in frequenza) è possibile configurarlo attivando lo switch apposito della App.

Note: in base al tipo di indicatore configurato, l'App consente solo di attivare il relativo ingresso analogico (vedi tabella "Configurazioni supportate").

Nel caso in cui sia stato selezionato un layout dual (due valori), è possibile scegliere quali dati configurare come ingresso analogico.

L'altro dato viene considerato come ricevuto dalla rete NMEA 2000®.



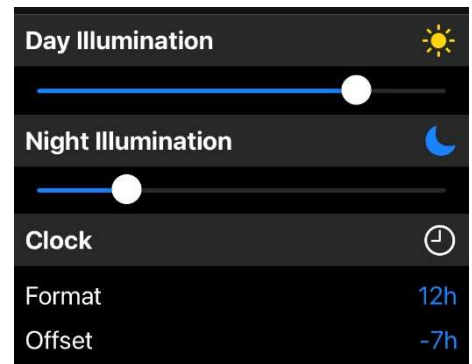
7. SETTARE ILLUMINAZIONE E L'OROLOGIO

È possibile completare la configurazione del VL Flex con la scheda "Settings".

In questa sezione è possibile regolare l'intensità della retroilluminazione Giorno e Notte tramite il cursore dedicato.

Le impostazioni dell'orologio (formato e offset) possono inoltre essere regolate da questa schermata.

Nota: L'orologio viene ricevuto solo tramite NMEA 2000®, ad esempio, da un ricevitore GPS esterno. Non è mantenuto internamente dal VL Flex.



8. SCRIVERE LA CONFIGURAZIONE NEL VL FLEX

Una volta completata la configurazione, è possibile scaricarla nel VL Flex.

Premere il pulsante "APPLY" nell'angolo in alto a destra della App ed "toccare" con lo smartphone la lente frontale del dispositivo.



CONFIGURAZIONI SUPPORTATE

Tipo di indicatore	Unità	Sensore resistivo	Sensore in frequenza	Calibrazioni	Allarme disponibile	PGN
Contagiri (<i>Engine Speed</i>)	rpm	-	✓	Impulsi al giro	No	127488
Velocità sull'acqua (<i>Boat Speed</i>)	kn km/h mph	-	✓	Impulsi per unità	No	128259
Amperometro (<i>Ammeter</i>)	A	-	-		No	127508
Voltmetro (<i>Voltmeter</i>)	V	-	-		No	127508
Carica batteria (<i>Battery SOC</i>)	%	-	-		Si (inferiore)	127506
Salute batteria (<i>Battery SOH</i>)	%	-	-		Si (inferiore)	127506
Temperatura batteria (<i>Battery Temperature</i>)	°C °F	-	-		Si (superiore)	127508
Autonomia batteria (<i>Battery Autonomy</i>)	h days	-	-		No	127506
Contatore (<i>Engine Hours</i>)	h	-	✓	Calcolate internamente	No	127489
Velocità GPS (<i>Speed Over Ground - SOG</i>)	kn km/h mph	-	-		No	129026
Bussola GPS (<i>Course Over Ground - COG</i>)	deg	-	-		No	129026
Profondità (<i>Depth</i>)	m ft	-	-		Si (inferiore)	128267
Orologio (<i>Clock</i>)	-	-	-		No	126992
Livello Carburante (<i>Fuel Level</i>)	%	✓	-	0 - 90 Ω 3 - 180 Ω 240 - 33 Ω 90 - 4 Ω 105 - 4 Ω	Si	127505
Livello acque chiare (<i>Fresh Water Level</i>)	%	✓	-	3 - 180 Ω 240 - 33 Ω 90 - 4 Ω	No	127505

Tipo di indicatore	Unità	Sensore resistivo	Sensore in frequenza	Calibrazioni	CONFIGURAZIONE	
					Allarme disponibile	PGN
Livello acque scure (<i>Waste Water Level</i>)	%	✓	-	3 - 180 Ω 240 - 33 Ω 90 - 4 Ω	No	127505
Trim (<i>Trim Position</i>)	%	✓	-	167 - 10 Ω (Singola staz.) 84 - 5 Ω (Doppia staz.)	No	127488
Angolo di barra (<i>Rudder Angle</i>)	deg	✓	-	10 - 180 Ω (Singola staz.) 5 - 90 Ω (Doppia staz.)	No	127245
Temperatura acqua motore (<i>Coolant Temperature</i>)	°C °F	✓	-	291 - 22 Ω (120 °C) 322 - 19 Ω (150 °C)	Si	127489
Pressione turbo (<i>Boost Pressure</i>)	bar PSI	✓	-	10 - 184 Ω (2 bar) 10 - 184 Ω (5 bar)	No	127488
Pressione olio (<i>Oil Pressure</i>)	bar PSI	✓	-	10 - 184 Ω (5 bar) 10 - 184 Ω (10 bar)	Si	127489
Temperatura olio (<i>Oil Temperature</i>)	°C °F	✓	-	322 - 19 Ω (150 °C)	Si	127489
Pressione olio trasmissione (<i>Gear Oil Pressure</i>)	bar PSI	✓	-	10 - 184 Ω (10 bar) 10 - 184 Ω (25 bar) 10 - 211 Ω (30 bar)	Si	127493
Temperatura olio trasmissione (<i>Gear Oil Temperature</i>)	°C °F	✓	-	322 - 19 Ω (150 °C)	Si	127493

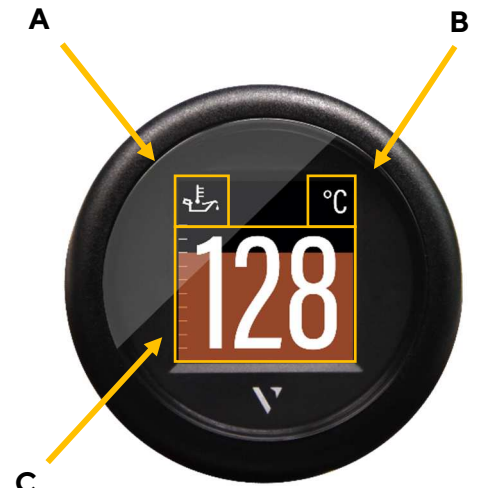
Le configurazioni supportate possono essere aggiornate in qualsiasi momento. Assicurarsi di utilizzare sempre l'ultima versione dell'app.

DISPOSIZIONE DEL DISPLAY

LAYOUT SINGOLO

- A. Simbolo del dato visualizzato**
Indica quale tipo di dati viene visualizzato in questo momento.
Per i tipi di dati che supportano questa funzione, c'è anche l'istanza indicata qui.
- B. Unità del valore misurato**
Mostra l'unità dei dati attualmente visualizzati.
Per alcuni tipi di dati è possibile modificare l'unità nelle impostazioni. (Vedere la tabella "Configurazioni supportate").
- C. Valore corrente**
Mostra il valore numerico dei dati misurati dedicati. Se non sono stati ricevuti valori per questo tipo di dati o se sono al di fuori dell'intervallo, il display mostrerà "---".

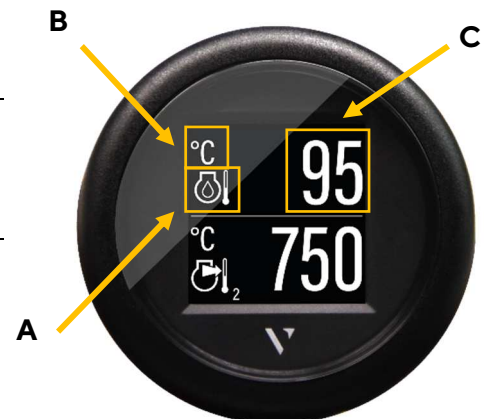
Grafico colorato
Il grafico colorato sullo sfondo è un diagramma a barre che mette in prospettiva il valore misurato. Questa funzione non è supportata per tutti i tipi di dati.
Le linee bianche sul lato sinistro mostrano la scalatura.



DOPPIO LAYOUT

- A. Simbolo del dato visualizzato**
Indica quale tipo di dati viene visualizzato in questo momento.
Per i tipi di dati che supportano questa funzione, c'è anche l'istanza indicata qui.
- B. Unità del valore misurato**
Mostra l'unità dei dati attualmente visualizzati.
Per alcuni tipi di dati è possibile modificare l'unità nelle impostazioni. (Vedere la tabella "Configurazioni supportate").
- C. Valore corrente**
Mostra il valore numerico dei dati misurati dedicati. Se non sono stati ricevuti dati per questo tipo di dati o se i valori non rientrano nell'intervallo, il display mostrerà "---".

Il grafico a barre non può essere visualizzato nel layout doppio per nessun valore.



ALARM DISPLAY



Layout Singolo

Quando si verifica un allarme, il diagramma a barre diventa rosso e nella parte superiore del display viene visualizzato un simbolo di allarme rosso tra il simbolo dei dati e l'unità.

Il display torna alla modalità di funzionamento normale quando l'allarme non viene più rilevato.

DISPOSIZIONE DEL DISPLAY



Doppio Layout

Quando si verifica un allarme su uno dei due dati visualizzati, le cifre numeriche del dato interessato diventano rosse.

Nell'esempio precedente, il dato in fondo alla schermata (temperatura dei gas di scarico) ha un allarme attivo.

Il display torna alla modalità di funzionamento normale quando l'allarme non viene più rilevato.

DATI TECNICI

DATASHEET

Display	Display a colori TFT 1.44", leggibile al sole, trasmissivo
Risoluzione display	125 x 125 pixels
Tensione nominale	12 V / 24 V
Tensione di esercizio	8 - 32 V con protezione per sovralimentazione e polarità inversa
Consumo di corrente	50 mA con massima intensità di retroilluminazione
Ingressi analogici	Resistivo (0 - 400 Ω) Frequenza (W, Ind, Hall, Generator)
Ingressi digitali	NMEA 2000®, LIN bus
Interfaccia wireless	NFC (Near Field Communication)
Grado di protezione	IP 67 frontale (IEC60529)
Lente	PMMA con trattamenti antiriflesso ed antinebbia
Corpo	Ø52 mm - Policarbonato (PC), ritardante di fiamma (UL94-V0)
Cornici	PC (nera, bianca) o ABS (cromata) - diversi colore e profili
Temperatura di esercizio	-20°C a +70°C
Temperatura di stoccaggio	-30°C a +80°C
Connettore	Tyco / Hirschmann MQS 8 pin
Montaggio	Spinlock - per spessori da 0.5 a 20 mm Kit di fissaggio opzionale - per spessori da 2 a 15 mm
Certificazioni	CE, Reach, RoHS

PGN NMEA 2000® SUPPORTATI

Descrizione	PGN (Rx)
ISO Address Claim	60928
ISO Request	59904
ISO Transport Protocol, Data Transfer	60160
ISO Transport Protocol, Connection Management	60416
ISO Acknowledgment	59392
NMEA - Request group function	126208
System Time	126992
Heartbeat	126993
Configuration Information	126998
Product Information	126996
PGN List - Received PGNs group function	126464
Rudder	127245
Fluid Level	127505
DC Detailed Status	127506
Battery Status	127508
Engine Parameters, Rapid Update	127488
Engine Parameters, Dynamic	127489
Transmission Parameters, Dynamic	127493
Speed, Water Referenced	128259
Water Depth	128267
COG & SOG, Rapid Update	129026

ACCESSORI

Accessorio	Numero di articolo
Cablaggio con connettore M12	A2C9582260001
Spinlock 52 mm	A2C5205947101
Kit di montaggio a filo	A2C59510864
Guarnizione per montaggio a filo	A2C53215640
Cornice - Rotonda Nera	A2C5318602701
Cornice - Rotonda Bianca	A2C5318602801
Cornice - Rotonda Cromata*	A2C5318602901
Cornice - Triangolare Nera	A2C5318602401
Cornice - Triangolare Bianca	A2C5318602501
Cornice - Triangolare Cromata *	A2C5318602601
Cornice - Piatta Nera	A2C5318604001
Cornice - Piatta Bianca	A2C5318602201
Cornice - Piatta Cromata *	A2C5318602301

Visita <http://www.veratron.com> per la list completa degli accessori disponibili.

* la cornice cromata potrebbe interferire con la programmazione NFC a causa delle particelle metalliche contenute nella cromatura. Assicurarsi di configurare il VL Flex PRIMA di installare la cornice cromata!



veratron AG
Industriestrasse 18
9464 Rüthi, Switzerland

T +41 71 7679 111
info@veratron.com
veratron.com

Qualsiasi distribuzione, traduzione o riproduzione, parziale o totale, del documento è severamente vietata se non previa autorizzazione scritta da parte di veratron AG, ad eccezione delle seguenti azioni:

- Stampare il documento nel suo formato originale, totalmente o parzialmente.
- Copia dei contenuti senza alcuna modifica e dichiarazione di Veratron AG come titolare del copyright.

Veratron AG si riserva il diritto di apportare modifiche o miglioramenti alla relativa documentazione senza preavviso.

Richieste di autorizzazione, copie aggiuntive di questo manuale o informazioni tecniche su quest'ultimo, devono essere indirizzate a veratron AG.

VL FLEX 52MM SERIES

VL FLEX 52

NMEA 2000

USER MANUAL
rev. AB



EN

DE

IT

FR

ES

PT



CONTENU

Contenu	2
Introduction	3
Contenu de l’emballage.....	3
L’indicateur tout en un	3
Configuration sans contact.....	3
Consignes de sécurité	4
Pendant le montage, veiller aux faits suivants.....	4
A observer après le montage	5
Raccordement électrique	5
Installation	7
Avant le montage	7
Montage avec spinlock.....	8
Montage affleurant	9
Connexion de l’appareil	10
Brochage	10
Faisceau de câbles.....	10
Brochage du connecteur NMEA 2000®	11
Connexion au réseau NMEA 2000®	11
Connexion du capteur de fréquence	12
Connexion du capteur résistif	12
Configuration	13
VL Flex configurator app	13
Configuration du vl flex	13
Configurations prises en charge	17
Single Layout.....	19
Dual Layout.....	19
Alarm Display	20
Données techniques	21
Fiche technique	21
PGN NMEA 2000® pris en charge	22
Accessoires	23

INTRODUCTION

CONTENU DE L'EMBALLAGE

Numéro de pièce	Désignation
B00043501	1x VL Flex 52 - NMEA 2000
A2C5205947101	1x 52 mm Spinlock à rainure
A2C9582260001	1x Faisceau de câbles
B000100	1x Consignes de sécurité

L'INDICATEUR TOUT EN UN

Le VL Flex peut être facilement configuré pour être l'outil dont vous avez besoin, grâce à son écran TFT lisible au soleil de 1,44 pouces intégré dans un corps standard de 52 mm de diamètre.

Les entrées analogiques prises en charge permettent de lire directement à partir des capteurs du moteur, et l'interface NMEA 2000® étend cette capacité en permettant au VL Flex de lire à partir du réseau numérique.

Les graphiques simples mais efficaces peuvent être configurés dans une mise en page simple ou double, présentant les données sous une forme claire et intuitive, tandis que la barre colorée et l'affichage d'alarme vous permettent de comprendre visuellement les données.

CONFIGURATION SANS CONTACT

Grâce à la configuration sans contact, vous pouvez configurer votre instrument tout-en-un d'un simple "tap"!

Lancez l'application pour smartphone et définissez vos paramètres via l'interface facile à utiliser, puis tenez simplement votre appareil mobile à proximité du VL Flex pour transférer la configuration instantanément.

Grâce à l'antenne passive intégrée, la configuration peut se faire sans alimentation!

CONSIGNES DE SÉCURITÉ

AVERTISSEMENT

- Ne pas fumer! Pas de flamme ni de lumière vive!

- Ce produit a été conçu, fabriqué et contrôlé dans le respect des exigences de sécurité de base des directives CE et conformément aux Règles de l'art.
- Le produit est conçu pour être utilisé dans la navigation maritime de plaisance.
- Cet appareil est conçu pour une utilisation dans des véhicules terrestres et machines ainsi que dans le domaine de la navigation sportive, y compris la navigation professionnelle non classifiée.
- N'utilisez notre produit que de manière conventionnelle. Une utilisation non conforme à l'usage prévu de ce produit peut causer des dommages corporels, matériels ou environnementaux. Informez-vous, avant l'installation, sur le type du véhicule à l'aide des papiers de celui-ci et sur d'éventuelles particularités !
- Consultez les plans de construction pour connaître l'emplacement des conduites de carburant/hydrauliques/d'air comprimé et électriques!
- Attention aux éventuelles modifications apportées au véhicule et à prendre en considération dans le cadre du montage!
- Des connaissances de base dans le domaine de l'électricité et de la mécanique automobile/navale sont nécessaires lors du montage, afin d'éviter tout dommage corporel, matériel ou environnemental.
- Assurez-vous que le moteur ne peut pas être mis en route par inadvertance pendant le montage !
- Le fait de modifier ou de manipuler le produit Veratron peut avoir des conséquences sur la sécurité. C'est pourquoi il ne doit pas être modifié ou manipulé!
- Veillez à ne pas endommager les conduites ou à desserrer les connecteurs lors du démontage/montage de sièges, caches ou autres!
- Notez toutes les données des autres appareils installés disposant de mémoires électroniques transitoires.

PENDANT LE MONTAGE, VEILLER AUX FAITS SUIVANTS

- Veillez, lors du montage, à ce que les composants du produit ne risquent pas d'agir, de gêner ou d'endommager les fonctions du véhicule!
- Ne montez que des pièces intactes dans le véhicule !
- Veillez, lors de l'installation, à ce que le produit ne gêne pas la visibilité et à ce qu'il ne soit pas positionné au niveau de la zone d'impact de la tête du conducteur et du passager !
- Faites monter ce produit par un professionnel spécialisé. Portez une tenue vestimentaire appropriée, si vous effectuez le montage vous-même. Ne portez pas de vêtements larges. Ils pourraient être happés par des pièces en mouvement. Si vous avez les cheveux longs, portez un filet. Dans le cas d'interventions sur l'équipement électrique de bord, ne portez aucun bijou métallique ou conducteur tel les chaînes, bracelets, bagues etc.
- S'il est nécessaire d'intervenir sur le moteur en route, la plus grande prudence est de rigueur. Ne portez que des tenues vestimentaires adaptées en raison des risques de blessures par pincement et brûlure.

CONSIGNES DE SÉCURITÉ

- Avant toute intervention, le pôle négatif de la batterie doit être débranché en raison des risques de court-circuit. Si le véhicule dispose de batteries supplémentaires, couper également les pôles négatifs de ces batteries! Les courts-circuits peuvent causer des incendies de câbles, des explosions de batteries et endommager d'autres systèmes électroniques. Sachez que toute coupure de la batterie provoque la perte des valeurs consignées aux mémoires électroniques transitoires et qu'il est toujours requis de les reprogrammer.
- Dans le cas de moteurs de bateaux, laissez tourner le ventilateur du compartiment moteur avant toute intervention dans le compartiment moteur des moteurs à essence.
- Notez la trajectoire des conduites ou faisceaux de câbles afin de ne pas les endommager en perçant ou sciant !
- Renoncer à monter l'appareil dans la zone mécanique ou électrique de l'airbag!
- Ne pas placer les perçages et orifices de montage dans les traverses ou longerons porteurs ou de stabilisation !
- Bloquer le véhicule selon les instructions du constructeur lors de toute intervention sous le véhicule.
- À l'emplacement de montage, veillez à garder l'espace libre nécessaire derrière les alésages ou les orifices de montage. La profondeur de montage nécessaire est de 65 mm.
- Effectuez un premier perçage léger que vous pourrez ensuite, le cas échéant, élargir à l'aide d'une fraise conique, d'une scie à guichet, d'une scie sauteuse ou d'une lime puis installez. Ebarbez les arêtes. Respecter impérativement les consignes de sécurité du constructeur de l'outillage.
- N'utilisez que des outils isolés pour autant qu'il soit requis d'intervenir sans coupure de la tension.
- Pour mesurer les tensions et courants du véhicule/de la machine ou du bateau, n'utilisez que des multimètres ou lampes de mesure à diodes prévus à cet effet. L'utilisation de lampes de mesure traditionnelles peut endommager les dispositifs de commande ou autres systèmes électroniques.
- Les sorties électriques de l'appareil de lecture et les câbles y étant rattachés doivent être protégés de tout contact direct et endommagement. Pour cela, les câbles utilisés doivent être suffisamment isolés ou suffisamment résister à la tension et les points de contact doivent être protégés contre les contacts accidentels.
- Les pièces électriques conductrices des consommateurs branchés sont également à protéger de tout contact direct en appliquant les mesures correspondantes. La pose de câbles et contacts métalliques non gainés est interdite.

A OBSERVER APRÈS LE MONTAGE

- Raccorder le câble de mise à la terre au pôle négatif de la batterie.
- Saisir / programmer à nouveau les valeurs des mémoires électroniques transitoires.
- Vérifiez toutes les fonctions.
- N'utilisez que de l'eau claire pour nettoyer les composants. Tenez compte des types de protection IP (IEC 60529).

RACCORDEMENT ÉLECTRIQUE

- Respecter la section des câbles !
- Une diminution de la section des câbles entraîne une densité de courant plus élevée. Cela peut conduire à un échauffement de la section du câble concerné !
- Lors de la pose des câbles électriques, utilisez les caniveaux et / ou faisceaux de câbles existants, mais ne les poser pas parallèlement aux câbles d'allumage ou aux câbles menant aux gros consommateurs électriques.
- Fixez les câbles à l'aide de serre-câbles ou de ruban adhésif.

CONSIGNES DE SÉCURITÉ

- Ne faites pas passer les câbles au-dessus de pièces mobiles. Ne fixez pas les câbles à l'arbre de direction !
 - Veillez à ce que les câbles ne soient soumis à aucune force de traction, de pression ou de cisaillement.
 - Si les câbles traversent des vides de forure, protégez-les par des passe-câbles ou des gaines similaires.
 - Ne dénudez les câbles qu'avec une pince à dénuder. Réglez la pince de telle manière qu'aucun fil toronné ne puisse être endommagé ou coupé.
 - Ne soudez les nouvelles jonctions de câbles qu'à l'étain ou utilisez des sertisseurs disponibles dans le commerce.
 - N'effectuez le sertissage qu'avec une pince à sertir. Respectez les consignes de sécurité du constructeur de l'outillage.
 - Isolez les fils toronnés dénudés de manière à éviter tout court-circuit.
- Attention: une jonction de câble incorrecte ou un câble endommagé risquerait de causer un court-circuit.
 - Des courts-circuits au niveau du réseau de bord peuvent entraîner des incendies de câbles, des explosions de batteries et endommager d'autres systèmes électroniques. C'est pourquoi tous les raccords d'alimentation en tension doivent être pourvus de manchons pouvant être soudés et doivent être suffisamment isolés.
 - Veillez particulièrement à ce que les raccords à la masse soient intacts.
 - Les raccords incorrects peuvent causer des courts-circuits. Ne raccordez les câbles que conformément au schéma de branchement électrique.
 - Si l'appareil fonctionne avec un bloc d'alimentation, notez que celui-ci doit être stabilisé et doit correspondre aux normes suivantes : DIN EN 61000 - partie 6-1 à 6-4.

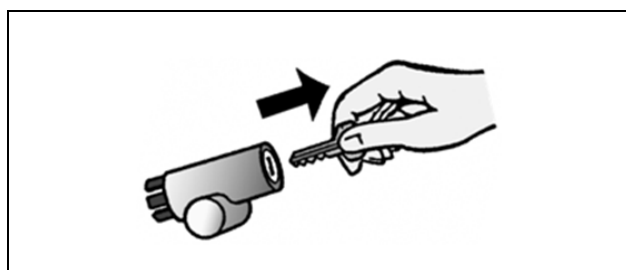
INSTALLATION

⚠ AVERTISSEMENT

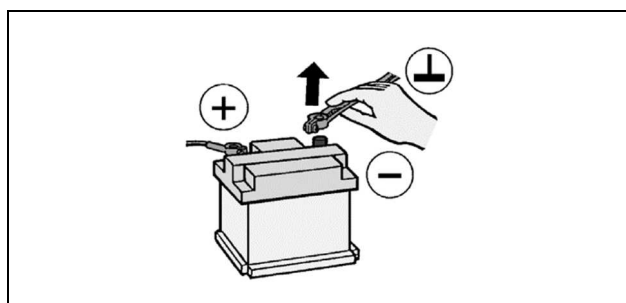
Avant de commencer à travailler, débrancher le pôle négatif de la batterie, pour éviter tout risque de court-circuit. Si le véhicule est équipé de batteries supplémentaires, il y a lieu, le cas échéant, de débrancher également le pôle négatif de ces batteries. Les courts-circuits peuvent mettre le feu aux câbles ou provoquer l'explosion des batteries et peuvent endommager les systèmes électroniques. Il faut savoir également, qu'en débranchant la batterie, toutes les données électroniques entrées transitoirement en mémoire seront perdues et devront être programmées à nouveau.

AVANT LE MONTAGE

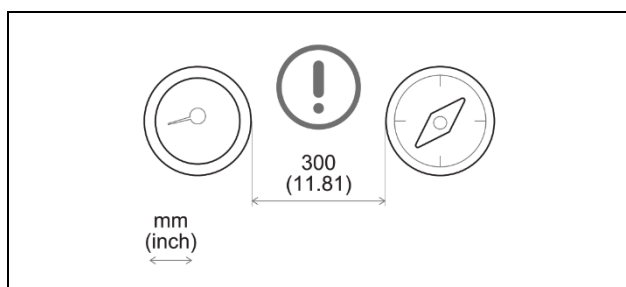
1. Avant d'intervenir, couper l'allumage et retirer la clé de contact. Ôter, le cas échéant, l'interrupteur de courant principal.



2. Débrancher le pôle négatif de la batterie. Sécuriser la batterie afin qu'elle ne puisse pas être rebranchée accidentellement.



3. En présence d'une boussole magnétique, placer le dispositif à au moins 30 cm de la boussole.



MONTAGE AVEC SPINLOCK

Montage conventionnel (appareil inséré par l'avant dans l'orifice prévu pour son emplacement). L'épaisseur du panneau peut osciller entre 0,5 mm et 20 mm. Percer au diamètre de 53 mm [B].

⚠ AVERTISSEMENT

- Ne pas effectuer de perçage ni d'ouverture dans les montants ou longerons porteurs ou stabilisateurs.
- Réserver l'espace libre voulu derrière les perçages ou l'ouverture prévue pour l'encastrement. Profondeur d'encastrement requise: 65 mm.
- Emplacement de montage à réaliser comme suit: faire un avant-trou avec une petite mèche, agrandir le cas échéant avec une fraise conique, une scie d'entrée, une scie sauteuse ou une lime et préparer le trou. Ebarber les bords. Respecter impérativement les consignes de sécurité du fabricant de l'outillage.

1. En alternative à la lunette avant fournie, il est possible de monter différentes lunettes. Dans ce cas, retirer délicatement la lunette à l'aide d'un tournevis [A], appliquer la nouvelle lunette sur l'instrument et appuyer dessus jusqu'à ce qu'elle soit au niveau de la lentille.

Remarque: une fois enlevée, la lunette est endommagée et donc inutilisable.

IMPORTANT: si vous installez un cadre chromé, assurez-vous de configurer l'appareil AVANT de l'installer. Les particules métalliques contenues dans le chromage pourraient affecter les performances de l'interface sans fil!

2. Percer un trou circulaire, en tenant compte des dimensions d'encombrement du dispositif. [B]

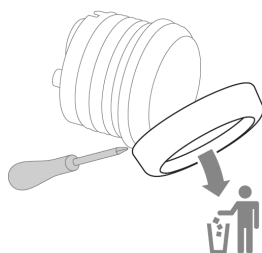
3. Enlever le spinlock et introduire le dispositif par l'avant. [C]

4. Orienter le spinlock comme cela est indiqué à la figure [D] selon l'épaisseur du panneau.

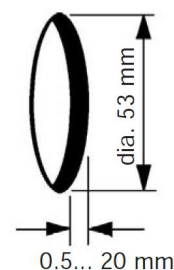
5. Faire passer le câble dans le spinlock, brancher le connecteur puis visser le spinlock à la main avec précaution d'au moins deux tours.

6. Brancher le connecteur.

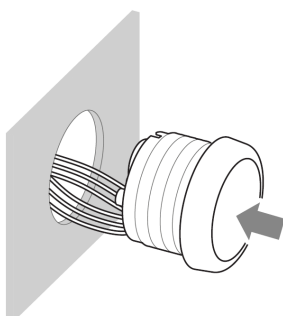
A



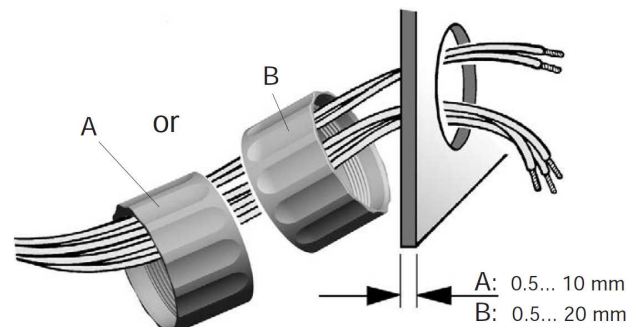
B



C



D



MONTAGE AFFLEURANT

L'épaisseur de panneau recommandée est de 1,5 à 3 mm. Le perçage doit avoir un diamètre de 48,1 mm [A].

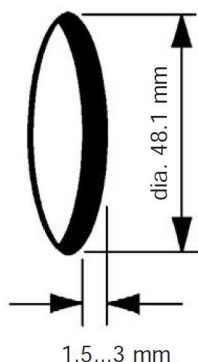
Veiller à ce que l'emplacement de montage soit plan et ne présente aucune arête vive.

AVERTISSEMENT

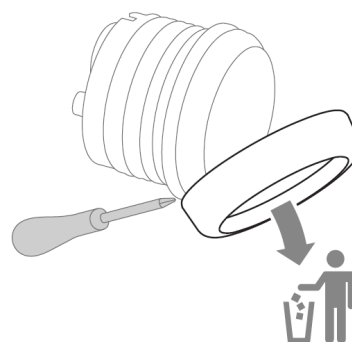
- Ne pas effectuer de perçage ni d'ouverture dans les montants ou longerons porteurs ou stabilisateurs.
- Réserver l'espace libre voulu derrière les perçages ou l'ouverture prévue pour l'encastrement. Profondeur d'encastrement requise: 65 mm.
- Emplacement de montage à réaliser comme suit: faire un avant-trou avec une petite mèche, agrandir le cas échéant avec une fraise conique, une scie d'entrée, une scie sauteuse ou une lime et préparer le trou. Ebarber les bords. Respecter impérativement les consignes de sécurité du fabricant de l'outillage.

1. Percer un trou circulaire, en tenant compte des dimensions d'encombrement du dispositif. [A]
2. Enlever le spinlock.
3. Enlever la lunette à l'aide d'une pince multiprise. [B]
Remarque: une fois enlevé, le cache est endommagé et donc inutilisable.
4. Poser le joint de montage A2C53215640 (non inclus) en affleurement avec le verre de protection.
5. Emboîter l'appareil par derrière dans le vide de forure [C].
6. Ajuster l'instrument pour que la jauge soit droite et le fixer aux goujons situés à l'arrière du panneau à l'aide de la bride d'attache A2C59510864 (non inclus) [D].
7. Brancher le connecteur.

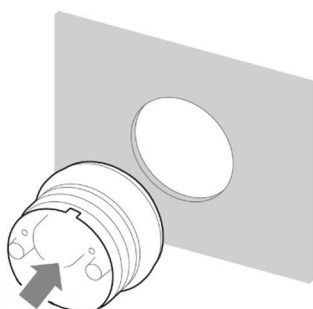
A



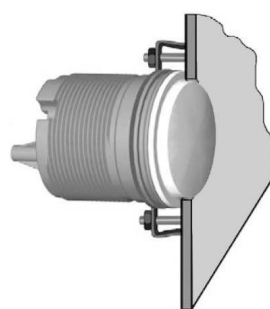
B



C



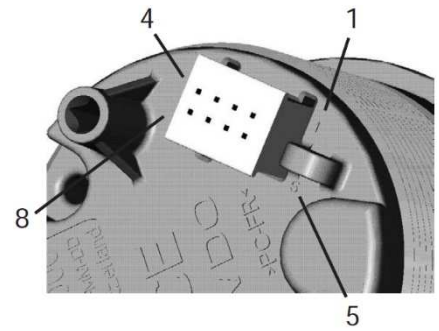
D



CONNEXION DE L'APPAREIL

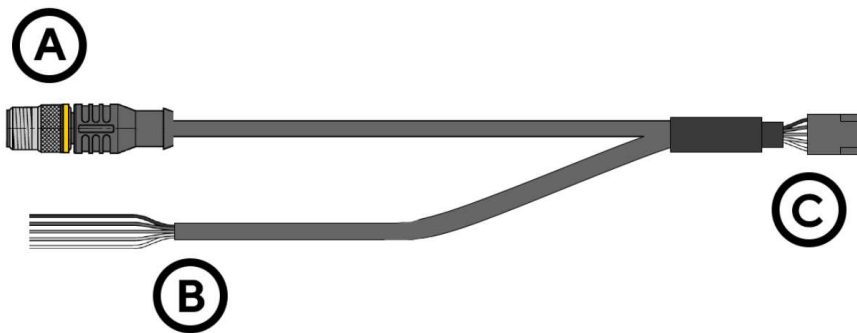
BROCHAGE

Broché	Couleur	Description
1	Rouge	KL. 15 - Batterie 12 / 24 V
2	Noir	KL. 31 - Masse
3	Vert / Rouge	Signal du capteur de fréquence
4	Jaune / Rouge	Signal du capteur résistif
5	Bleu / Blanc	LIN bus
6	Rouge / Blanc	Éclairage Jour/Nuit
7	-	NMEA 2000 Hi (sur le connecteur M12)
8	-	NMEA 2000 Lo (sur le connecteur M12)



Vue arrière VL Flex 52
Tyco / Hirschmann 8-poles MQS
plug

FAISCEAU DE CÂBLES



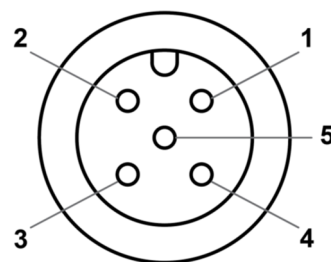
Faisceau de câbles VL Flex

- A. Connecteur NMEA 2000® DeviceNet M12 5 broches
- B. Câbles pour la connexion du capteur et l'alimentation électrique (voir les couleurs dans le tableau)
- C. Connecteur VL Flex 52 - Tyco / Hirschmann MQS plug 8 broches

BROCHAGE DU CONNECTEUR NMEA 2000®

Broche	Description
1	Blindage
2	NET-S (V+)
3	NET-C (V-)
4	NET-H (CAN H)
5	NET-L (CAN L)

CONNEXION DE L'APPAREIL



Micro-C M12 5 broches
Mâle, vue du câble

CONNEXION AU RÉSEAU NMEA 2000®

Une fois l'installation terminée, l'appareil peut être interfacé avec le réseau NMEA 2000® via la prise dédiée sur le câblage.

Veillez à bien serrer le connecteur M12 en le vissant sur son homologue, afin de préserver son intégrité étanche.

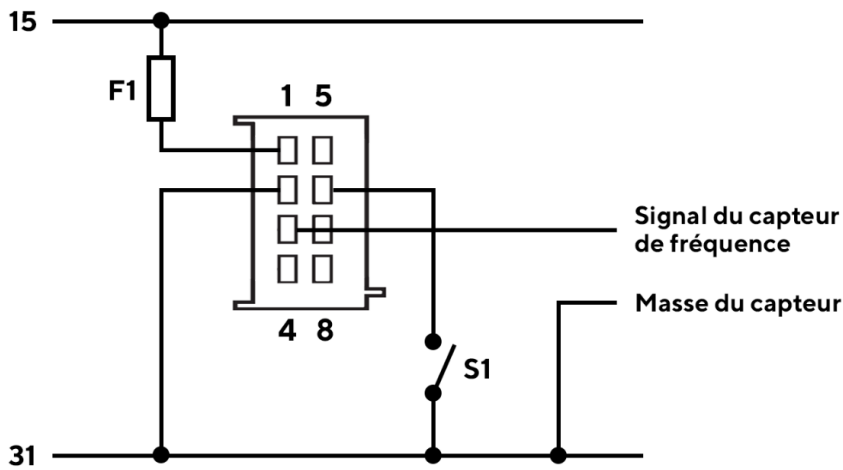
Un câble de dérivation n'est pas nécessaire à moins que la longueur totale du câblage fourni soit suffisante pour atteindre la dorsale NMEA 2000®. Dans ce cas, il est possible d'étendre la longueur totale en utilisant l'un des câbles de dérivation accessoires.

Notez que NMEA 2000® ne permet pas de dériver des câbles de plus de 6 mètres.

Reportez-vous à la norme NMEA 2000® pour une conception de réseau appropriée.



CONNEXION DU CAPTEUR DE FRÉQUENCE

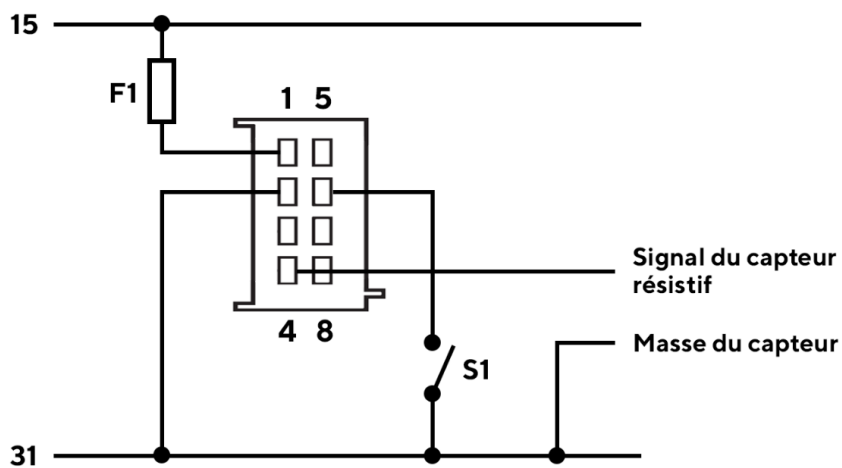


Désignations des pièces mentionnées dans le plan de connexion:

15 - KL. 15 - Allumage plus 12/24 V
31 - KL. 31 - Masse

F1 - Fusible 3A (non inclus)
S1 - Sélecteur d'éclairage jour / nuit (non inclus)

CONNEXION DU CAPTEUR RÉSIDIF



Désignations des pièces mentionnées dans le plan de connexion:

15 - KL. 15 - Allumage plus 12/24 V
31 - KL. 31 - Masse

F1 - Fusible 3A (non inclus)
S1 - Sélecteur d'éclairage jour / nuit (non inclus)

CONFIGURATION

VL FLEX CONFIGURATOR APP

Pour configurer le VL Flex 52, il est nécessaire de configurer certains paramètres, tels que le type d'indicateur, le capteur connecté et son étalonnage ou le seuil d'alarme.

Ceci est possible grâce à l'application pour smartphone «VL Flex Configurator», qui peut être téléchargée gratuitement dans les magasins pour les appareils Android et iOS.

Une explication simple et détaillée du processus de configuration est également disponible sous forme d'instructions intégrées à l'application.

Grâce au récepteur NFC passif, le VL Flex 52 peut être configuré, comme décrit ci-dessous, sans alimentation électrique.



VL FLEX CONFIGURATOR



CONFIGURATION DU VL FLEX

La configuration de l'appareil VL Flex est un processus intuitif en trois étapes.

N'oubliez pas qu'il est nécessaire de LIRE la configuration de l'appareil avant de pouvoir la modifier et l'écrire sur l'instrument.

1. LIRE



2. CONFIGURER



3. ÉCRIRE



1. LIRE LA CONFIGURATION DU VL FLEX

Ouvrez l'application «VL Flex Configurator» et lisez la configuration réelle de l'appareil en «touchant» la lentille de l'appareil avec le smartphone.

L'opération de lecture est obligatoire avant que l'opération d'écriture ne soit autorisée.

Après lecture, l'application sera définie avec la configuration actuelle du VL Flex.



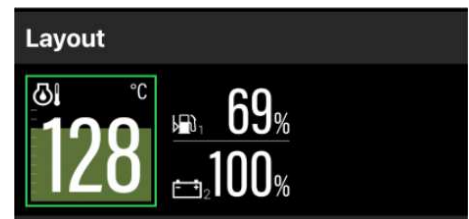
Remarque: L'emplacement de l'antenne sur le smartphone dépend du modèle. Reportez-vous au manuel du fabricant du smartphone.

2. SÉLECTIONNEZ LA DISPOSITION DE L'AFFICHAGE

Utilisez la section "Layout" pour choisir entre les mises en page simple et double écran.

L'image d'aperçu en haut de l'écran de l'application sera mise à jour en conséquence.

Si la disposition "Dual" est sélectionnée, l'application étendra les paramètres de l'appareil pour configurer les deux champs de l'écran.

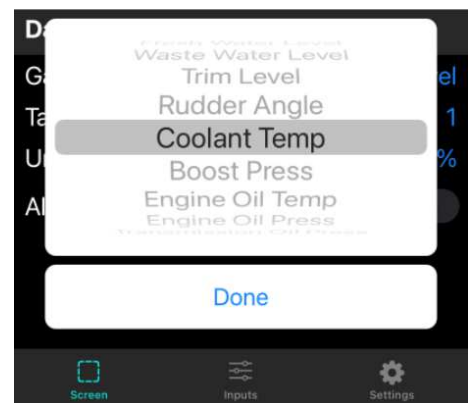


3. CHOISISSEZ LE TYPE D'INDICATEUR

Utilisez l'élément "Gauge Type" dans la section "Data Selection" pour choisir les données que vous souhaitez afficher sur le VL Flex.

Si la disposition "Dual" est sélectionné, vous pourrez sélectionner les données à afficher pour les sections supérieure et inférieure de l'écran.

Remarque: La liste complète des types de données pris en charge est disponible dans le tableau «Configurations prises en charge» de ce document.

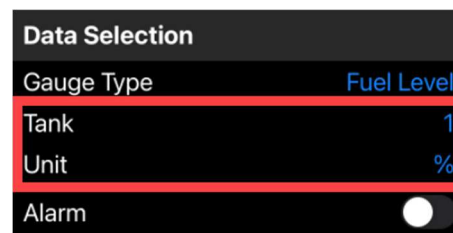


4. CHOISISSEZ LES UNITÉS ET L'INSTANCE

Définissez l'unité pour les données affichées si plusieurs sont disponibles (voir tableau «Configurations prises en charge»).

Définissez l'instance des données affichées (par exemple, le numéro de moteur ou le numéro de réservoir) de sorte qu'elles soient également affichées correctement sur l'écran.

Remarque: L'instance définie est également utilisée par le VL Flex dans le cas où les données sont reçues par NMEA 2000®.



5. CONFIGURER UNE ALARME

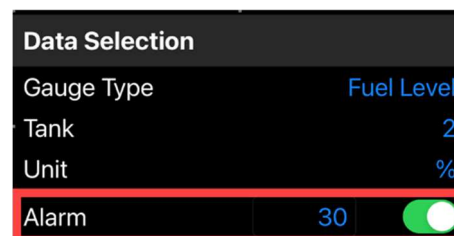
Pour certains types de données, il est possible de définir une alarme (voir le tableau «Configurations prises en charge»).

L'alarme peut être activée ou désactivée à l'aide du commutateur approprié dans l'application.

Une fois actif, il est possible de définir son seuil via le champ numérique dédié.

L'unité du seuil d'alarme est la même unité définie à l'étape précédente.

Remarque: le «sens» du seuil d'alarme (supérieur ou inférieur) est prédéfini (voir tableau «Configurations prises en charge»).

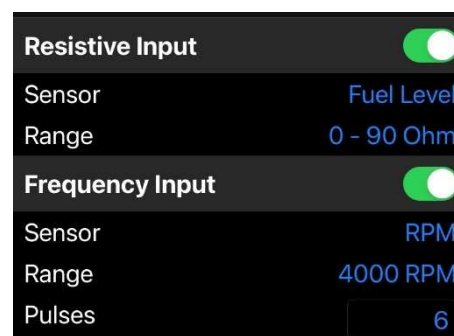


6. CALIBRER LE CAPTEUR

Par défaut, le VL Flex suppose que les données sont reçues via NMEA 2000®, les entrées analogiques sont donc désactivées.

Si un capteur est connecté via un port analogique (résistif ou de fréquence), il peut être configuré en activant le commutateur approprié sur l'application.

Remarque: en fonction du type d'indicateur configuré, l'application vous permet uniquement d'activer l'entrée analogique relative (voir tableau «Configurations prises en charge»).



Dans le cas où une configuration double (deux valeurs) a été sélectionnée, il est possible de choisir les données à configurer comme entrée analogique. Les autres données sont considérées comme reçues du réseau NMEA 2000®.

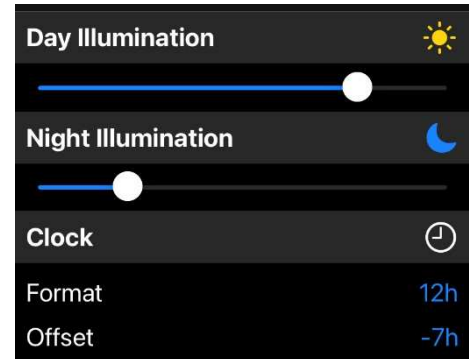
7. RÉGLER L'ÉCLAIRAGE ET L'HORLOGE

Vous pouvez terminer la configuration du VL Flex avec l'onglet "Settings".

Dans cette section, il est possible de régler l'intensité du rétroéclairage jour et nuit à l'aide du curseur dédié.

Les réglages de l'horloge (format et décalage) peuvent également être ajustés à partir de cet écran.

Remarque: L'horloge est reçue uniquement via NMEA 2000®, par exemple à partir d'un récepteur GPS externe. Il n'est pas maintenu en interne par le VL Flex.



8. ÉCRIRE LA CONFIGURATION DANS LE VL FLEX

Une fois la configuration terminée, vous pouvez la télécharger sur le VL Flex.

Appuyez sur le bouton "APPLY" dans le coin supérieur droit de l'application et «toucher» la lentille de l'appareil avec le smartphone.



CONFIGURATIONS PRISES EN CHARGE

Type d'indicateur	Unité	Capteur résistif	Capteur de fréq.	Étalonnages	Alarme disponible	PGN
Compte-tours (<i>Engine Speed</i>)	rpm	-	✓	Impulsions par tour	Non	127488
Compteur de vitesse (<i>Boat Speed</i>)	kn km/h mph	-	✓	Impulsions par unité	Non	128259
Ampèremètre (<i>Ammeter</i>)	A	-	-		Non	127508
Voltmètre (<i>Voltmeter</i>)	V	-	-		Non	127508
Charge de la batterie (<i>Battery SOC</i>)	%	-	-		Oui (inférieur)	127506
Etat de la batterie (<i>Battery SOH</i>)	%	-	-		Oui (inférieur)	127506
Température de la batterie (<i>Battery Temperature</i>)	°C °F	-	-		Oui (au dessus)	127508
Autonomie de la batterie (<i>Battery Autonomy</i>)	h days	-	-		Non	127506
Compteur horaire (<i>Engine Hours</i>)	h	-	✓	Calculé en interne	Non	127489
Vitesse sol (<i>Speed Over Ground</i>)	kn km/h mph	-	-		Non	129026
Route fond (<i>Course Over Ground</i>)	deg	-	-		Non	129026
Profondeur (<i>Depth</i>)	m ft	-	-		Oui (inférieur)	128267
Horloge (<i>Clock</i>)	-	-	-		Non	126992
Niveau de carburant (<i>Fuel Level</i>)	%	✓	-	0 - 90 Ω 3 - 180 Ω 240 - 33 Ω 90 - 4 Ω 105 - 4 Ω	Oui	127505
Eau douce (<i>Fresh Water Level</i>)	%	✓	-	3 - 180 Ω 240 - 33 Ω 90 - 4 Ω	Non	127505

Type d'indicateur	Unité	Capteur résistif	Capteur de fréq.	Étalonnages	CONFIGURATION	
					Alarme disponible	PGN
Eau usée (<i>Waste Water Level</i>)	%	✓	-	3 - 180 Ω 240 - 33 Ω 90 - 4 Ω	Non	127505
Équilibrage moteur (<i>Trim Position</i>)	%	✓	-	167 - 10 Ω (Poste simple) 84 - 5 Ω (Poste double)	Non	127488
Angle de barre (<i>Rudder Angle</i>)	deg	✓	-	10 - 180 Ω (Poste simple) 5 - 90 Ω (Poste double)	Non	127245
Température liquide de refroidissement (<i>Coolant Temp</i>)	°C °F	✓	-	291 - 22 Ω (120 °C) 322 - 19 Ω (150 °C)	Oui	127489
Pression de suralimentation (<i>Boost Pressure</i>)	bar PSI	✓	-	10 - 184 Ω (2 bar) 10 - 184 Ω (5 bar)	Non	127488
Pression d'huile moteur (<i>Oil Pressure</i>)	bar PSI	✓	-	10 - 184 Ω (5 bar) 10 - 184 Ω (10 bar)	Oui	127489
Température d'huile moteur (<i>Oil Temperature</i>)	°C °F	✓	-	322 - 19 Ω (150 °C)	Oui	127489
Pression d'huile transmission (<i>Gear Oil Pressure</i>)	bar PSI	✓	-	10 - 184 Ω (10 bar) 10 - 184 Ω (25 bar) 10 - 211 Ω (30 bar)	Oui	127493
Température d'huile transmission (<i>Gear Oil Temp</i>)	°C °F	✓	-	322 - 19 Ω (150 °C)	Oui	127493

* les configurations prises en charge peuvent être mises à jour à tout moment. Assurez-vous de toujours utiliser la dernière version de l'application.

DISPOSITION DE L'AFFICHAGE

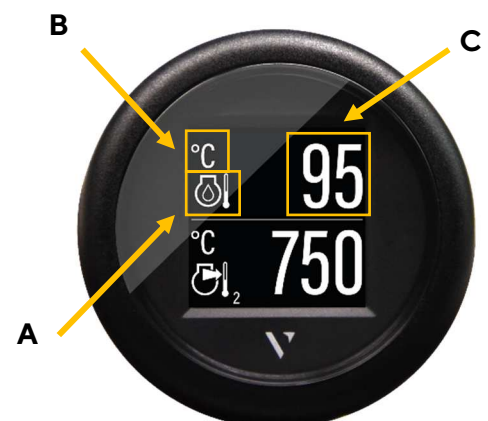
SINGLE LAYOUT

A.	<p>Symbole Indique quel type de données est affiché en ce moment.</p> <p>Pour les types de données qui supportent cette fonction, il y a également l'instance indiquée ici.</p>
B.	<p>Unité de masse Affiche l'unité des données actuellement affichées. Pour certains types de données, il est possible de modifier l'unité dans les paramètres. (Voir le tableau "Configurations prises en charge")</p>
C.	<p>Valeur mesurée Il indique la valeur numérique des données mesurées dédiées. Si aucune valeur n'est reçue pour ce type de données ou si elles sont hors limites, l'écran affiche "---".</p> <p>Graphique coloré Le graphique coloré en arrière-plan est un diagramme à barres qui met la valeur mesurée en perspective. Cette fonction n'est pas prise en charge pour tous les types de données. Les lignes blanches sur le côté gauche indiquent la mise à l'échelle.</p>



DUAL LAYOUT

A.	<p>Symbole Indique quel type de données est affiché en ce moment.</p> <p>Pour les types de données qui supportent cette fonction, il y a également l'instance indiquée ici.</p>
B.	<p>Unité de masse Affiche l'unité des données actuellement affichées. Pour certains types de données, il est possible de modifier l'unité dans les paramètres. (Voir le tableau "Configurations prises en charge")</p>
C.	<p>Valeur mesurée Il indique la valeur numérique des données mesurées dédiées. S'il n'y a pas de données reçues pour ce type de données ou si les valeurs sont hors limites, l'écran affiche "---".</p> <p>Le graphique à barres ne peut être affiché dans la disposition double pour aucune valeur.</p>





Disposition des données simples

Lorsqu'une alarme se produit, le bargraphe devient rouge et un symbole d'alarme rouge est affiché dans la partie supérieure de l'écran, entre le symbole de données et l'unité.

L'affichage revient en mode de fonctionnement normal dès que l'alarme n'est plus détectée.



Présentation des données doubles

Lorsqu'une alarme se produit sur l'une des deux données affichées, les chiffres numériques de la donnée concernée deviennent rouges.

Dans l'exemple ci-dessus, une alarme est active sur la donnée située en bas de l'écran (température des gaz d'échappement).

L'écran revient en mode de fonctionnement normal dès que l'alarme n'est plus détectée.

DONNÉES TECHNIQUES

FICHE TECHNIQUE

Écran	Écran couleur TFT de 1,44", lisible au soleil, transmissif
Résolution d'écran	125 x 125 pixels
Tension nominale	12 V / 24 V
Tension de fonctionnement	8 - 32 V Protection contre l'inversion de polarité et suralimentation
Consommation de courant	50 mA avec une intensité de rétroéclairage maximale
Entrées analogiques	Résistif (0 - 400 Ω) En fréquence (W, Ind, Hall, Generator)
Entrées numériques	NMEA 2000®, LIN bus
Interface sans fil	NFC (Near Field Communication)
Classe de protection	IP 67 frontale (IEC60529)
Lentille	PMMA avec traitements antireflet et antibuée
Logement	Ø52 mm - Polycarbonate (PC), ignifuge (UL94-V0)
Lunette	PC (noir, blanc) ou ABS (chromé) - différentes couleurs et profils
Température de fonctionnement	-20°C à +70°C
Température de stockage	-30°C à +80°C
Connecteur	Tyco / Hirschmann MQS 8 broches
Montage	Spinlock - pour épaisseurs de 0,5 à 20 mm Kit de fixation en option - pour épaisseurs de 2 à 15 mm
Certifications	CE, Reach, RoHS

PGN NMEA 2000® PRIS EN CHARGE

Description	PGN
ISO Address Claim	60928
ISO Request	59904
ISO Transport Protocol, Data Transfer	60160
ISO Transport Protocol, Connection Management	60416
ISO Acknowledgment	59392
NMEA - Request group function	126208
System Time	126992
Heartbeat	126993
Configuration Information	126998
Product Information	126996
PGN List - Received PGNs group function	126464
Rudder	127245
Fluid Level	127505
DC Detailed Status	127506
Battery Status	127508
Engine Parameters, Rapid Update	127488
Engine Parameters, Dynamic	127489
Transmission Parameters, Dynamic	127493
Speed, Water Referenced	128259
Water Depth	128267
COG & SOG, Rapid Update	129026

ACCESSOIRES

Accessoire	Part Numbers
Câble avec connecteur M12	A2C9582260001
Spinlock 52 mm	A2C5205947101
Kit de montage affleurant	A2C59510864
Joint pour montage affleurant	A2C53215640
Lunette - Ronde Noire	A2C5318602701
Lunette - Ronde Blanche	A2C5318602801
Lunette - Ronde Chromée*	A2C5318602901
Lunette - Triangulaire Noire	A2C5318602401
Lunette - Triangulaire Blanche	A2C5318602501
Lunette - Triangulaire Chromée *	A2C5318602601
Lunette - Plate Noire	A2C5318604001
Lunette - Plate Blanche	A2C5318602201
Lunette - Plate Chromée *	A2C5318602301

Visitez <http://www.veratron.com> pour la liste complète des accessoires disponibles.

* la lunette chromée peut interférer avec la programmation NFC en raison des particules métalliques contenues dans le chrome. Assurez-vous de configurer le VL Flex AVANT d'installer la lunette chromée !



veratron AG
Industriestrasse 18
9464 Rüthi, Switzerland

T +41 71 7679 111
info@veratron.com
veratron.com

Toute distribution, traduction ou reproduction, partielle ou totale, du document est strictement interdite sans l'autorisation écrite préalable de veratron AG, à l'exception des actions suivantes :

- Imprimez le document dans sa taille d'origine, en tout ou en partie.
- Copie du contenu sans aucune modification et déclaration de Veratron AG en tant que titulaire des droits d'auteur.

Veratron AG se réserve le droit d'apporter des modifications ou des améliorations à la documentation associée sans préavis.

Les demandes d'autorisation, des copies supplémentaires de ce manuel ou des informations techniques à son sujet doivent être adressées à veratron AG.

VL FLEX 52MM SERIES

VL FLEX 52

NMEA 2000

USER MANUAL
rev. AB



EN

DE

IT

FR

ES

PT

CONTENIDO

Contenido	2
Inicio	3
Contenido del embalaje	3
El indicador all-in-one	3
Configuración sin contacto	3
Informaciones de seguridad	4
Observar durante el montaje	4
Observar después del montaje.....	5
Conexión eléctrica.....	5
Instalación	7
Antes del montaje.....	7
Montaje con spinlock	8
Montaje a ras	9
Conexiones	10
Pinout	10
Cable	10
Conector NMEA 2000®	11
Conexión a la red NMEA 2000®.....	11
Conexión del sensor de frecuencia	12
Conexión del sensor resistivo	12
Configuración	13
VL Flex configurator app	13
Configuración del VL Flex	13
Configuraciones soportadas	17
Diseño de la pantalla	19
Single Layout.....	19
Dual Layout.....	19
Alarm Display	20
Datos técnicos	21
Ficha de datos.....	21
PGN NMEA 2000® compatibles.....	22
Accesorios	23

INICIO

CONTENIDO DEL EMBALAJE

Número de artículo	Descripción
B00043501	1x VL Flex 52 - NMEA 2000
A2C5205947101	1x 52 mm Tuerca racor
A2C9582260001	1x Cable de alimentación y datos
B000100	1x Informaciones de seguridad

EL INDICADOR ALL-IN-ONE

El VL Flex se puede configurar fácilmente para que sea la herramienta que necesita, gracias a su pantalla TFT de 1,44" legible por el sol integrada en un cuerpo estándar de 52 mm de diámetro.

Las entradas analógicas compatibles permiten leer directamente desde los sensores del motor, y la interfaz NMEA 2000® amplía esta capacidad al permitir que el VL Flex lea desde la red digital.

Los gráficos simples pero efectivos se pueden configurar en un diseño simple o doble, presentando datos de una forma clara e intuitiva, mientras que la barra de colores y la pantalla de alarma le permiten comprender visualmente los datos.

CONFIGURACIÓN SIN CONTACTO

Gracias a la configuración sin contacto, puede configurar su instrumento all-in-one con un simple "Tap".

Inicie la aplicación del teléfono inteligente y defina su configuración a través de la interfaz fácil de usar, luego simplemente sostenga su dispositivo móvil cerca del VL Flex para transferir la configuración al instante.

Gracias a la antena pasiva incorporada, la configuración se puede realizar sin fuente de alimentación.

INFORMACIONES DE SEGURIDAD

ADVERTENCIA

- ¡No fumar! ¡Evitar las llamas abiertas y las fuentes de calor!

- El producto ha sido desarrollado, construido y controlado observando los requerimientos fundamentales de seguridad de las normas de la CE y el estado reconocido de la técnica.
- El equipo está diseñado para el mercado de la náutica de recreo.
- El aparato está destinado para ser empleado en vehículos y máquinas terrestres, así como para el empleo en la navegación deportiva, inclusive en la navegación profesional no clasificada.
- Utilice nuestro producto sólo para el fin previsto. Las consecuencias de un uso del producto no conforme con las especificaciones, pueden ser daños personales, así como daños materiales o al medio ambiente. Antes del montaje, infórmese por medio de la documentación del vehículo sobre el modelo de vehículo y sobre eventuales particularidades.
- Infórmese por medio de los esquemas de montaje sobre el emplazamiento de las tuberías de combustible, hidráulicas y de aire comprimido, así como de los cables eléctricos.
- ¡Tenga en cuenta posibles modificaciones en el vehículo, las que deben considerarse durante el montaje!
- Para el montaje son necesarios conocimientos básicos sobre sistemas eléctricos y mecánicos de automóviles y buques, para evitar daños personales, materiales o al medio ambiente.
- ¡Asegúrese que durante el montaje no pueda producirse un arranque involuntario del motor!
- Modificaciones o manipulaciones en el producto veratron pueden influir negativamente en la seguridad. ¡Por tanto, no se puede modificar ni manipular nada!
- Al desmontar y montar asientos, cubiertas o similares, procurar no dañar cables o desconectar conexiones por enchufe.
- Anotar todos los datos de los otros dispositivos instalados con memorias electrónicas volátiles.

OBSERVAR DURANTE EL MONTAJE

- Tener cuidado durante el montaje, que los componentes del producto no influyan en las funciones del vehículo o las dificulten y que éstos no resulten dañados.
- Montar en el vehículo únicamente piezas en buen estado.
- Durante el montaje, observar que el producto no perjudique el campo visual y que no sea posicionado en una zona donde puedan golpearse la cabeza el conductor o el acompañante.
- El montaje del producto debe ser llevado a cabo por personal especializado. Si realiza el montaje usted mismo, use ropa de trabajo adecuada. No use ropa holgada. Ésta puede ser enganchada por piezas en movimiento. Si tiene cabellos largos, sujételos con una redecilla.
- En caso de trabajos en el sistema eléctrico de a bordo, no usar joyas metálicas o conductoras, tales como cadenas, pulseras, sortijas, etc.
- En caso de que sean necesarios trabajos con el motor en marcha, hacerlo con especial cuidado. Use sólo ropa de trabajo adecuada, ya que existe peligro de heridas por magullones y quemaduras.
- Antes de comenzar con los trabajos, se debe desembornar el polo negativo de la batería, ya

INFORMACIONES DE SEGURIDAD

- que de lo contrario existe peligro de cortocircuitos. Si el vehículo dispone de baterías adicionales, deben desembornarse también, si es necesario, los polos negativos de esas baterías. Los cortocircuitos pueden originar incendios de cables, explosiones de baterías y daños en otros sistemas electrónicos del vehículo. Tenga en cuenta, que al desconectar la batería se pierden los valores introducidos en todas las memorias electrónicas volátiles y deben programarse nuevamente.
- En caso de motores marinos de gasolina, poner en marcha el ventilador del compartimento del motor antes de comenzar con los trabajos.
 - Prestar atención al recorrido de conductos y ramales de cables, para no dañarlos durante los trabajos de taladrado y calado.
 - No elegir como lugar de montaje la zona del sistema mecánico y eléctrico del airbag.
 - No practicar orificios ni aberturas para el montaje en travesaños o largueros portantes o estabilizadores.
 - En caso de trabajar debajo del vehículo, asegurarlo de acuerdo a las prescripciones del fabricante del vehículo.
 - Observar que en el lugar de montaje exista suficiente espacio libre detrás de los orificios o de la abertura para el montaje. Profundidad de montaje necesaria 65 mm.

- Taladrar las aberturas para el montaje con un diámetro inferior al definitivo, si es necesario, ampliar los orificios y terminarlos con una fresa cónica, sierra de punta, sierra de calar o lima. Desbarbar los bordes. Observar sin falta las indicaciones de seguridad del fabricante de la herramienta.
- En caso de ser necesario realizar trabajos sin interrupción de la tensión, utilizar sólo herramientas aisladas.
- Para la medición de tensiones y corrientes en el vehículo / máquina o barco, utilizar sólo multímetros o lámparas de comprobación de diodos previstas para ese fin. La utilización de lámparas de comprobación tradicionales puede tener como consecuencia el daño de unidades de control u otros sistemas electrónicos.
- Las salidas eléctricas del instrumento de indicación y los cables allí conectados, deben ser protegidos contra contacto directo y daños. Para ello, los cables utilizados deben disponer de un aislamiento o rigidez dieléctrica suficiente y los puntos de contacto deben estar protegidos contra contacto.
- También las piezas eléctricamente conductoras de los consumidores conectados, deben ser protegidas contra contacto directo con medidas apropiadas. No está permitido el tendido de cables y contactos metálicos desnudos.

OBSERVAR DESPUÉS DEL MONTAJE

- Conectar firmemente el cable de masa al polo negativo de la batería.
- Introducir/programar de nuevo los valores de las memorias electrónicas volátiles.
- Verificar todas las funciones.
- Utilizar sólo agua limpia para la limpieza de los componentes. Observar los tipos de protección IP (IEC 60529).

CONEXIÓN ELÉCTRICA

- Observar la sección del cable.
- Una reducción de la sección del cable produce una mayor densidad de corriente. Esto puede originar un calentamiento de la correspondiente sección de cable.
- Para el tendido de cables eléctricos, utilizar los canales para cables y ramales de cables existentes. Sin embargo, no tender los cables paralelos a los cables de encendido o paralelos a los cables que conducen a grandes consumidores de corriente.
- Fijar los cables con cintas sujetacables o cinta adhesiva. No tender los cables sobre piezas móviles. ¡No fijar cables en la columna de la dirección!
- Cerciorarse de que los cables no estén expuestos a fuerzas de tracción, de compresión o transversales.

- Si los cables son tendidos a través de orificios, proteger los cables mediante manguitos de goma o similares.
- Para quitar el aislamiento de los cables, utilizar sólo un alicate pelacables. Ajustar el alicate de modo que no se dañe o rompa ningún hilo conductor.
- ¡Soldar los empalmes de cables nuevos sólo con el procedimiento de soldadura con estaño o utilizar las conexiones por presión usuales en el comercio!
- Realizar conexiones por presión sólo con un alicate para unir cables por presión.
- Observar las indicaciones de seguridad del fabricante de la herramienta.
- Aislar los hilos conductores, de tal modo que no puedan producirse cortocircuitos.
- **Atención:** peligro de cortocircuitos debido a puntos de conexión defectuosos o cables dañados.

INFORMACIONES DE SEGURIDAD

- Los cortocircuitos en la red de a bordo pueden originar incendios de cables, explosiones de baterías y daños en otros sistemas electrónicos del vehículo. Por tanto, todas las conexiones para la alimentación de tensión deben estar provistas de conectores topes soldables y suficientemente aislados.
- Prestar especial atención a correctas conexiones a masa.
- Las conexiones incorrectas pueden ocasionar cortocircuitos. Conectar los cables sólo de acuerdo al esquema de conexiones eléctricas.
- En caso de funcionamiento del aparato en fuentes de alimentación, tener en cuenta que la fuente de alimentación debe ser estabilizada y cumplir con las normas siguientes: DIN EN 61000- parte 6-1 hasta 6-4.

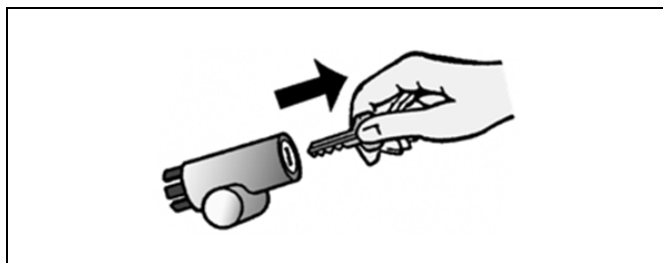
INSTALACIÓN

⚠ ADVERTENCIA

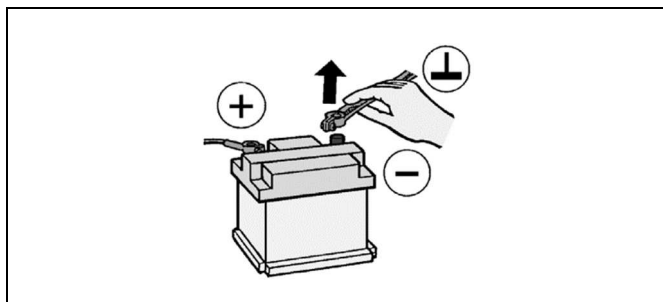
Antes de comenzar con los trabajos, deberá desembornarse el polo negativo de la batería, caso contrario existe peligro de cortocircuitos. ¡En el caso de que el vehículo disponga de baterías adicionales, también deberán desembornarse los polos negativos de esas baterías! Los cortocircuitos pueden ocasionar incendios de cables, explosiones de baterías y daños en otros sistemas electrónicos del vehículo. Tener en cuenta que, al desconectar la batería, se pierden los valores ingresados en todas las memorias electrónicas volátiles y deben ser programadas nuevamente.

ANTES DEL MONTAJE

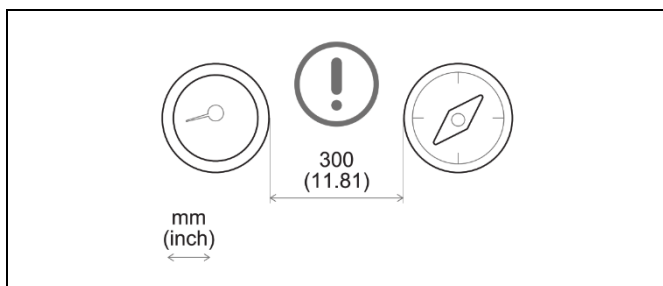
1. Antes de comenzar con los trabajos, desconectar el encendido y quitar la llave de encendido. Si es necesario, desconectar el interruptor principal de corriente.



2. Desconectar el polo negativo de la batería. Asegurar la batería contra una reconexión involuntaria.



3. En caso de montarse el instrumento próximo a una brújula magnética, considerar la distancia de protección magnética respecto a la brújula.



MONTAJE CON SPINLOCK

Montaje convencional. (El instrumento se introduce por delante en la perforación). El espesor del panel puede ser de un margen de 0,5 hasta 20 mm. La perforación debe tener un diámetro de 53 mm [B].

ADVERTENCIA

- No practicar perforaciones ni aberturas para el montaje en travesaños o largueros portantes o estabilizadores.
- Cerciorarse de que en el lugar de montaje exista suficiente espacio libre detrás de las perforaciones o de la abertura para el montaje. Profundidad de montaje necesaria 65 mm.
- Taladrar las aberturas para el montaje con un diámetro inferior al definitivo, ampliar las perforaciones y terminarlas con una fresa cónica, sierra de punta, sierra de calar o lima. Desbarbar los bordes. Observar sin falta las indicaciones de seguridad del fabricante de la herramienta.

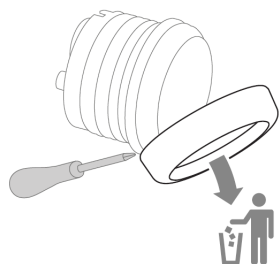
1. Como alternativa al marco frontal suministrado, es posible montar diferentes marcos. En este caso, retire suavemente el marco con la ayuda de un destornillador [A], aplique el nuevo marco al instrumento y presiónelo hasta que enrase con la lente frontal.

Nota: el marco, una vez quitado, ya no podrá utilizarse porque queda dañado.

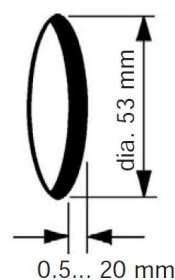
IMPORTANTE: Si instala un bisel cromado, asegúrese de configurar el dispositivo ANTES de instalarlo. ¡Las partículas de metal contenidas en el cromado podrían afectar el rendimiento de la interfaz inalámbrica!

2. Efectúe un orificio circular teniendo en cuenta las dimensiones del dispositivo. [B]
3. Quitar el spinlock e introduzca frontalmente el dispositivo. [C]
4. Oriente el spinlock como se indica en la figura [D] según el espesor del panel.
5. Haga pasar los cables por el spinlock y atorníllelo con prudencia con al menos dos vueltas.
6. Instalar el conector.

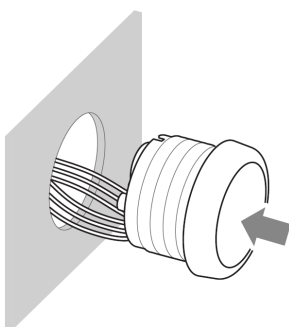
A



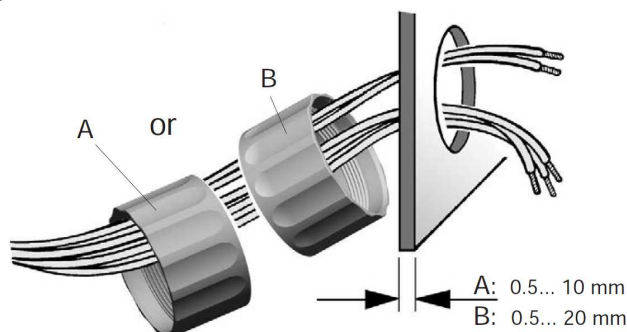
B



C



D



MONTAJE A RAS

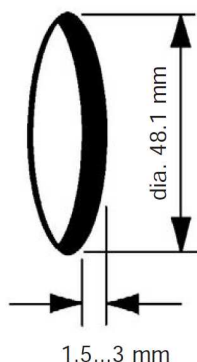
El espesor recomendado del panel es de 1,5 a 3 mm. La perforación debe tener un diámetro de 48,1 mm. [A]
Cerciórese de que el lugar de montaje esté plano y no presente cantos vivos.

ADVERTENCIA

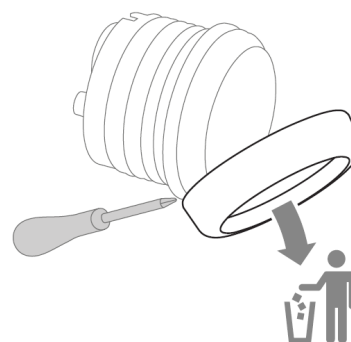
- No practicar perforaciones ni aberturas para el montaje en travesaños o largueros portantes o estabilizadores.
- Cerciorarse de que en el lugar de montaje exista suficiente espacio libre detrás de las perforaciones o de la abertura para el montaje. Profundidad de montaje necesaria 65 mm.
- Taladrar las aberturas para el montaje con un diámetro inferior al definitivo, ampliar las perforaciones y terminarlas con una fresa cónica, sierra de punta, sierra de calar o lima. Desbarbar los bordes. Observar sin falta las indicaciones de seguridad del fabricante de la herramienta.

1. Efectúe un orificio circular teniendo en cuenta las dimensiones del dispositivo. [A]
2. Quitar el spinlock.
3. Quitar el marco con la ayuda de un destornillador. [B]
Nota: el marco, una vez quitado, ya no podrá utilizarse porque queda dañado.
4. Colocar la junta flush-mount A2C53215640 (no incluido) sobre la lente frontal.
5. Introducir el instrumento en la perforación por la parte posterior [C].
6. Alinear el instrumento de tal modo que la lectura sea recta y fijarlo con el estribo de fijación flush-mount A2C59510864 (no incluido) en los espárragos colocados en la parte posterior del panel [D].
7. Instalar el conector.

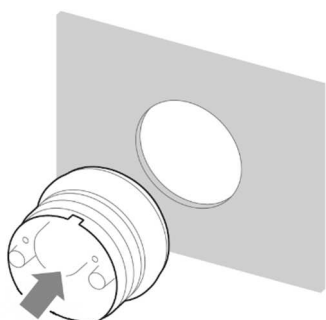
A



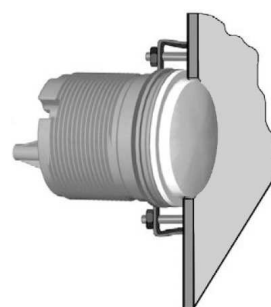
B



C



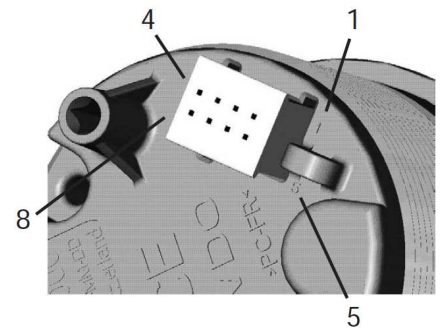
D



CONEXIONES

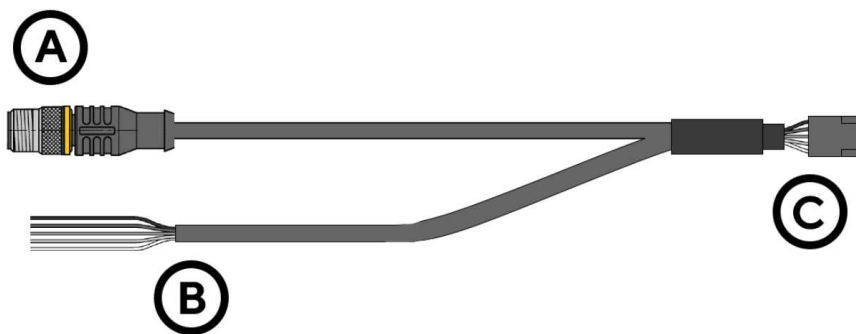
PINOUT

Pin	Color	Función
1	Rojo	KL. 15 - Alimentación 12 / 24 V
2	Negro	KL. 31 - Masa (GND)
3	Verde / Rojo	Señal del sensor de frecuencia
4	Amarillo / Rojo	Señal de sensor resistivo
5	Azul / Blanco	LIN bus
6	Rojo / Blanco	Iluminación Día / Noche
7	-	NMEA 2000 High (en el conector M12)
8	-	NMEA 2000 Low (en el conector M12)



Vista trasera VL Flex 52 Tyco / Hirschmann 8 polos MQS

CABLE

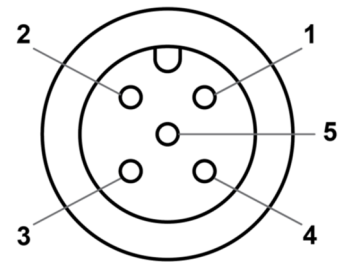


Cable VL Flex

- A: Conector NMEA 2000® DeviceNet M12 5 polos
- B: Cables para la conexión del sensor y la fuente de alimentación (ver colores en la tabla)
- C: Conector VL Flex 52 - Tyco / Hirschmann MQS plug 8 polos

CONECTOR NMEA 2000®

Pin	Función
1	Blindaje
2	NET-S (V+)
3	NET-C (V-)
4	NET-H (CAN High)
5	NET-L (CAN Low)



Micro-C M12 5 polos
Macho, vista cable

CONEXIÓN A LA RED NMEA 2000®

Una vez que se completa la instalación, el dispositivo se puede conectar a la red NMEA 2000® a través del conector dedicado en el arnés.

Asegúrese de apretar el conector M12 atornillándolo a su contraparte, para preservar su integridad hermética.

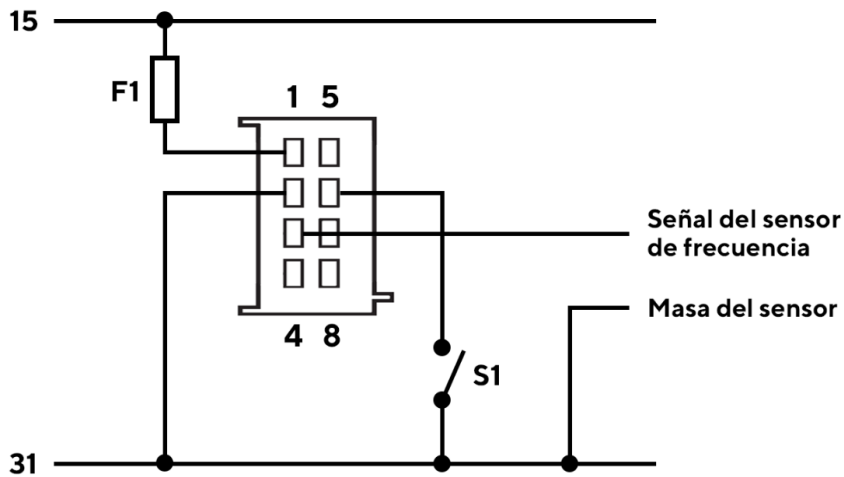
No se requiere un cable de caída (drop) a menos que la longitud total del cableado suministrado sea suficiente para llegar a la red troncal NMEA 2000®. En este caso, es posible extender la longitud total utilizando uno de los cables de acometida accesorios.

Tenga en cuenta que NMEA 2000® no permite cables de caída (drop) de más de 6 metros.

Consulte el estándar NMEA 2000® para conocer el diseño de red adecuado.



CONEXIÓN DEL SENSOR DE FRECUENCIA



Designación dentro del esquema de conexiones:

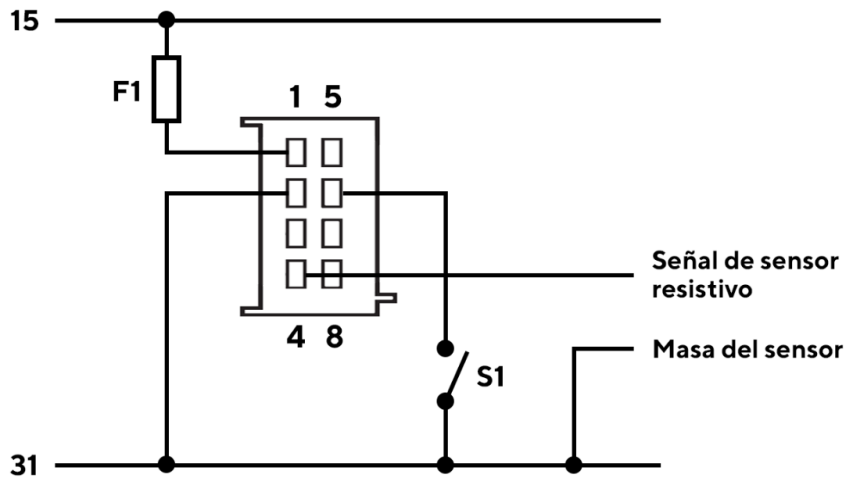
15 - KL. 15 - Positivo conectado (encendido) 12/24 V

31 - KL. 31 - Masa (GND)

F1 - Fusible 3A (non incluido)

S1 - Selector de iluminación Día/Noche (no incluido)

CONEXIÓN DEL SENSOR RESISTIVO



Designación dentro del esquema de conexiones:

15 - KL. 15 - Positivo conectado (encendido) 12/24 V

31 - KL. 31 - Masa (GND)

F1 - Fusible 3A (non incluido)

S1 - Selector de iluminación Día/Noche (no incluido)

CONFIGURACIÓN

VL FLEX CONFIGURATOR APP

Para configurar el VL Flex 52 - NMEA 2000 es necesario configurar algunos parámetros, como el tipo de indicador, el sensor conectado y su calibración o el umbral de alarma.

Esto es posible a través de la aplicación para teléfonos inteligentes "VL Flex Configurator", que se puede descargar de forma gratuita desde las tiendas para dispositivos Android e iOS.

Una explicación simple y detallada del proceso de configuración también está disponible como instrucciones en la aplicación.

Gracias al receptor NFC pasivo, el VL Flex 52 se puede configurar, como se describe a continuación, sin necesidad de fuente de alimentación.



VL FLEX CONFIGURATOR



CONFIGURACIÓN DEL VL FLEX

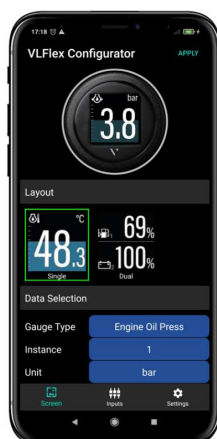
La configuración del dispositivo VL Flex es un proceso intuitivo de tres pasos.

Recuerde que es necesario LEER la configuración del dispositivo antes de que se pueda modificar y escribir en el VL Flex.

1. LEER



2. CONFIGURAR



3. ESCRIBIR



1. LEER LA CONFIGURACIÓN DEL VL FLEX

Abra la aplicación "VL Flex Configurator" y lea la configuración real del dispositivo "tocando" la lente frontal del dispositivo con el smartphone.

La operación READ es obligatoria antes de que se permita la operación WRITE.

Después de leer, la aplicación se configurará con la configuración actual del VL Flex.



Nota: La ubicación de la antena en el smartphone depende del modelo.

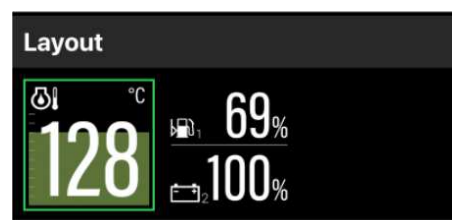
Consulte el manual del fabricante del smartphone.

2. SELEZIONARE IL LAYOUT DEL DISPLAY

Utilice la sección "Layout" para elegir entre diseños de pantalla única y doble.

La imagen de vista previa en la parte superior de la pantalla de la aplicación se actualizará en consecuencia.

Si se selecciona el Layout Dual, la aplicación extenderá la configuración del dispositivo para configurar ambos campos de la pantalla.

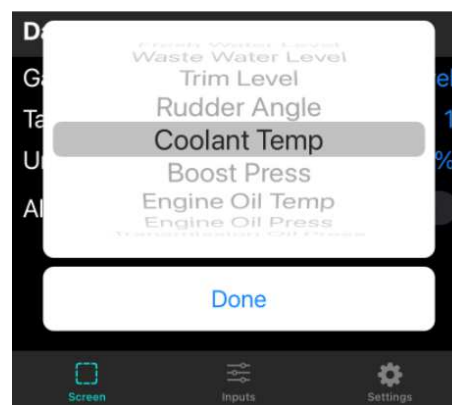


3. SELECCIONE EL TIPO DE INDICADOR

Utilice el elemento "Gauge Type" en la sección "Data Selection" para elegir los datos que desea mostrar en el VL Flex.

Si se ha seleccionado el Layout Dual, podrá seleccionar los datos que se mostrarán para las secciones superior e inferior de la pantalla.

Nota: La lista completa de tipos de datos admitidos está disponible en la tabla "Configuraciones admitidas" de este documento.

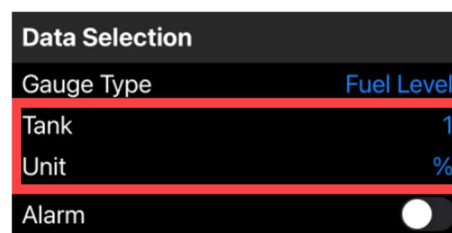


4. SELECCIONA LAS UNIDADES Y LA INSTANCIA

Defina la unidad para los datos mostrados si hay más de uno disponible (consulte la tabla "Configuraciones compatibles").

Configure la instancia de los datos mostrados (por ejemplo, número de motor o número de tanque) para que también se muestre correctamente en la pantalla.

Nota: El VL Flex también utiliza la instancia definida en caso de que NMEA 2000® reciba datos.



5. CONFIGURAR UNA ALARMA

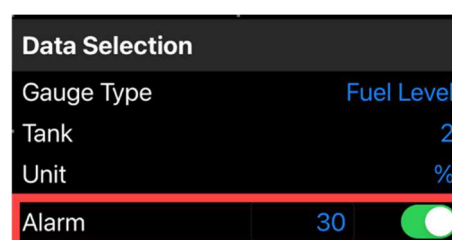
Para algunos tipos de datos, es posible configurar una alarma (consulte la tabla "Configuraciones compatibles").

La alarma se puede activar o desactivar usando el interruptor apropiado en la aplicación.

Una vez activo, es posible establecer su umbral a través del campo numérico dedicado.

La unidad del umbral de alarma es la misma unidad definida en el paso anterior.

Nota: la "dirección" del umbral de alarma (superior o inferior) está predefinida (consulte la tabla "Configuraciones admitidas").



6. CALIBRA EL SENSOR

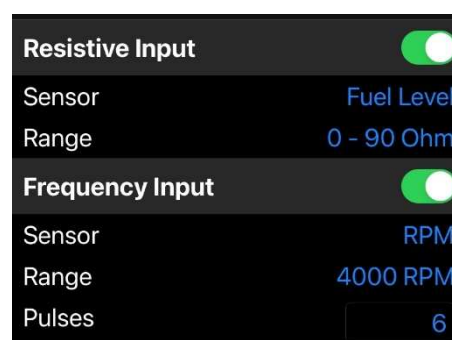
De forma predeterminada, el VL Flex asume que los datos se reciben a través de NMEA 2000®, por lo que las entradas analógicas están desactivadas.

Si un sensor está conectado a través de un puerto analógico (resistivo o de frecuencia), se puede configurar activando el interruptor correspondiente en la aplicación.

Note: según el tipo de indicador configurado, la App solo permite activar la entrada analógica relativa (ver tabla "Configuraciones soportadas").

En caso de que se haya seleccionado un Layout Dual (dos valores), es posible elegir qué datos configurar como entrada analógica.

Los demás datos se consideran recibidos de la red NMEA 2000®.



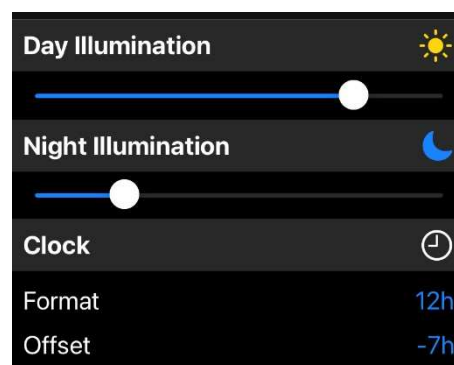
7. CONFIGURAR ILUMINACIÓN Y RELOJ

Puede completar la configuración del VL Flex con la pestaña "Settings".

En esta sección es posible ajustar la intensidad de la retroiluminación diurna y nocturna utilizando el control deslizante dedicado.

La configuración del reloj (formato y compensación) también se puede ajustar desde esta pantalla.

Nota: El reloj se recibe solo a través de NMEA 2000®, por ejemplo, desde un receptor GPS externo. No es mantenido internamente por el VL Flex.



8. ESCRIBA LA CONFIGURACIÓN EN EL VL FLEX

Una vez completada la configuración, puede descargarla en el VL Flex.

Presione el botón "APPLY" en la esquina superior derecha de la aplicación y "toque" la lente frontal del dispositivo con el teléfono inteligente.



CONFIGURACIONES SOPORTADAS

Tipo de indicador	Unidad	Sensor resistivo	Sensor de frecuencia	Calibraciones	Alarma disponible	PGN
Tacómetro (<i>Engine Speed</i>)	rpm	-	✓	Pulsos por revolución	No	127488
Velocidad en el agua (<i>Boat Speed</i>)	kn km/h mph	-	✓	Pulsos por unidad	No	128259
Corriente (<i>Ammeter</i>)	A	✓	-		No	127508
Voltaje (<i>Voltmeter</i>)	V	-	-		No	127508
Carga de la batería (<i>Battery SOC</i>)	%	-	-		Si (inferior)	127506
Salud de la batería (<i>Battery SOH</i>)	%	-	-		Si (inferior)	127506
Temperatura de la batería (<i>Battery Temperature</i>)	°C °F	-	-		Si (superior)	127508
Autonomía de la batería (<i>Battery Autonomy</i>)	h days	-	-		No	127506
Contador de horas (<i>Engine Hours</i>)	h	-	✓	Calculado internamente	No	127489
Speed Over Ground (<i>SOG</i>)	kn km/h mph	-	-		No	129026
Course Over Ground (<i>COG</i>)	deg	-	-		No	129026
Profundidad (<i>Depth</i>)	m ft	-	-		Si (inferior)	128267
Reloj (<i>Clock</i>)	-	-	-		No	126992
Nivel de combustible (<i>Fuel Level</i>)	%	✓	-	0 - 90 Ω 3 - 180 Ω 240 - 33 Ω 90 - 4 Ω 105 - 4 Ω	Si	127505
Nivel de agua dulce (<i>Fresh Water Level</i>)	%	✓	-	3 - 180 Ω 240 - 33 Ω 90 - 4 Ω	No	127505

Tipo de indicador	Unidad	Sensor resistivo	Sensor de frecuencia	Calibraciones	CONFIGURACIÓN	
					Alarma disponible	PGN
Nivel de aguas residuales (<i>Waste Water Level</i>)	%	✓	-	3 - 180 Ω 240 - 33 Ω 90 - 4 Ω	No	127505
Trimado del motor (<i>Trim Position</i>)	%	✓	-	167 - 10 Ω (Simple) 84 - 5 Ω (Doble)	No	127488
Ángulo del timón (<i>Rudder Angle</i>)	deg	✓	-	10 - 180 Ω (Simple) 5 - 90 Ω (Doble)	No	127245
Temperatura del agua refrigerante (<i>Coolant Temperature</i>)	°C °F	✓	-	291 - 22 Ω (120 °C) 322 - 19 Ω (150 °C)	Si	127489
Presión de sobrealimentación (<i>Boost Pressure</i>)	bar PSI	✓	-	10 - 184 Ω (2 bar) 10 - 184 Ω (5 bar)	No	127488
Presión del aceite del motor (<i>Oil Pressure</i>)	bar PSI	✓	-	10 - 184 Ω (5 bar) 10 - 184 Ω (10 bar)	Si	127489
Temperatura del aceite del motor (<i>Oil Temperature</i>)	°C °F	✓	-	322 - 19 Ω (150 °C)	Si	127489
Presión del aceite de la transmisión (<i>Gear Oil Pressure</i>)	bar PSI	✓	-	10 - 184 Ω (10 bar) 10 - 184 Ω (25 bar) 10 - 211 Ω (30 bar)	Si	127493

* las configuraciones admitidas se pueden actualizar en cualquier momento. Asegúrese de utilizar siempre la última versión de la aplicación.

DISEÑO DE LA PANTALLA

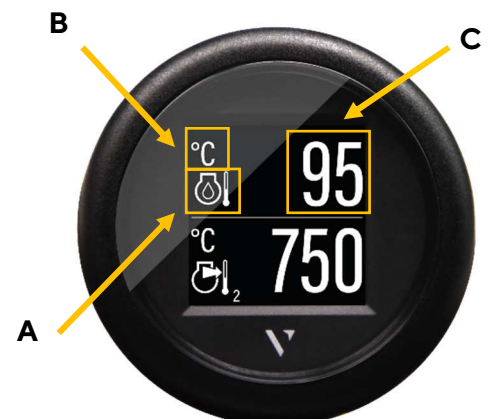
SINGLE LAYOUT

A.	<p>Símbolo Indica qué tipo de datos se muestra en este momento.</p> <p>Para los tipos de datos que admiten esta función, también se indica aquí la instancia.</p>
B.	<p>Unit Shows the unit of the currently displayed data. For some data types it's possible to change the unit in the settings. (See table "Supported Configurations")</p>
C.	<p>Valor medido Muestra el valor numérico de los datos medidos dedicados. Si no hay valores recibidos para este tipo de datos o están fuera de rango, la pantalla mostrará "---".</p> <p>Gráfico coloreado El gráfico coloreado del fondo es un diagrama de barras que pone en perspectiva el valor medido. Esta función no es compatible con todos los tipos de datos. Las líneas blancas de la parte izquierda muestran el escalado.</p>



DUAL LAYOUT

A.	<p>Símbolo Indica qué tipo de datos se muestra en este momento.</p> <p>Para los tipos de datos que admiten esta función, también se indica aquí la instancia.</p>
B.	<p>Unit Shows the unit of the currently displayed data. For some data types it's possible to change the unit in the settings. (See table "Supported Configurations")</p>
C.	<p>Valor medido Muestra el valor numérico de los datos medidos dedicados. Si no hay datos recibidos para este tipo de datos o los valores están fuera de rango, la pantalla mostrará "---".</p> <p>El gráfico de barras no puede mostrarse en el diseño dual para ningún valor.</p>



ALARM DISPLAY

**Disposición de los datos individuales**

Cuando se produce una alarma, el gráfico de barras se vuelve rojo y se muestra un símbolo de alarma rojo en la parte superior de la pantalla, entre el símbolo de datos y la unidad.

La pantalla vuelve al modo de funcionamiento normal una vez que deja de detectarse la alarma.

**Disposición de los datos duales**

Cuando se produce una alarma en cualquiera de los dos datos mostrados, los dígitos numéricos del dato afectado se vuelven rojos.

En el ejemplo anterior, el dato de la parte inferior de la pantalla (Temperatura de los gases de escape) tiene una alarma activa.

La pantalla vuelve al modo de funcionamiento normal una vez que ya no se detecta la alarma.

DATOS TÉCNICOS

FICHA DE DATOS

Pantalla	Pantalla TFT a color de 1,44", legible a la luz del sol, transmisiva
Resolución de la pantalla	125 x 125 pixels
Tensión nominal	12 V / 24 V
Tensión de funcionamiento	8 - 32 V con protecciones de sobretensión y polaridad inversa
Consumo de corriente	50 mA con iluminación máxima
Entradas analógicas	Resistivo (0 - 400 Ω) Frecuencia (W, Ind, Hall, Generator)
Entradas digitales	NMEA 2000®, LIN bus
Interfaz inalámbrica	NFC (Near Field Communication)
Grado de protección	IP 67 frontal (IEC60529)
Lente	PMMA con revestimientos antivaho y antideslumbrante
Alojamiento	Ø52 mm - Policarbonato (PC), Ignífugo (UL94-V0)
Biseles	PC (negra, blanca) o ABS (cromado) - varias formas y colores
Temperatura de funcionamiento	-20°C a +70°C
Temperatura de almacenamiento	-30°C a +80°C
Conector	Tyco / Hirschmann MQS 8 pines
Montaje	Spinlock - para espesores de 0,5 a 20 mm Kit de fijación opcional - para espesores de 2 a 15 mm
Certificaciones	CE, Reach, RoHS

PGN NMEA 2000® COMPATIBLES

Descripción	PGN (Rx)
ISO Address Claim	60928
ISO Request	59904
ISO Transport Protocol, Data Transfer	60160
ISO Transport Protocol, Connection Management	60416
ISO Acknowledgment	59392
NMEA - Request group function	126208
System Time	126992
Heartbeat	126993
Configuration Information	126998
Product Information	126996
PGN List - Received PGNs group function	126464
Rudder	127245
Fluid Level	127505
DC Detailed Status	127506
Battery Status	127508
Engine Parameters, Rapid Update	127488
Engine Parameters, Dynamic	127489
Transmission Parameters, Dynamic	127493
Speed, Water Referenced	128259
Water Depth	128267
COG & SOG, Rapid Update	129026

ACCESORIOS

Accesorio	Part Number
Cable con conector M12	A2C9582260001
Spinlock 52 mm	A2C5205947101
Conjunto de soportes de montaje	A2C59510864
Junta de montaje al ras	A2C53215640
Biseles - Rotonda Negro	A2C5318602701
Biseles - Rotonda Blanco	A2C5318602801
Biseles - Rotonda Cromado*	A2C5318602901
Biseles - Triangolare Negro	A2C5318602401
Biseles - Triangolare Blanco	A2C5318602501
Biseles - Triangolare Cromado *	A2C5318602601
Biseles - Piatta Negro	A2C5318604001
Biseles - Piatta Blanco	A2C5318602201
Biseles - Piatta Cromado *	A2C5318602301

Visite <http://www.veratron.com> para obtener la lista completa de accesorios disponibles.

* el marco cromado puede interferir con la programación NFC debido a las partículas metálicas contenidas en el cromo. ¡Asegúrese de configurar el VL Flex ANTES de instalar el marco cromado!



veratron AG
Industriestrasse 18
9464 Rüthi, Switzerland

T +41 71 7679 111
info@veratron.com
veratron.com

Cualquier distribución, traducción o reproducción, parcial o total, del documento está estrictamente prohibida sin el consentimiento previo por escrito de veratron AG, con la excepción de las siguientes acciones:

- Imprima el documento en su tamaño original, total o parcialmente.
- Copia del contenido sin ninguna modificación y declaración por parte de Veratron AG como titular de los derechos de autor.

Veratron AG se reserva el derecho de realizar cambios o mejoras en la documentación relacionada sin previo aviso.

Las solicitudes de autorización, copias adicionales de este manual o información técnica al respecto deben dirigirse a veratron AG.