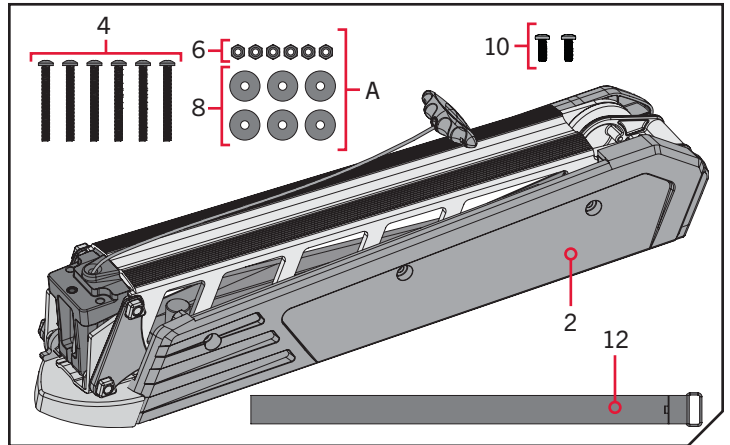


Designed to provide improved lift assist for Ultrex motors equipped with both a Humminbird® MEGA 360 Imaging™ and MEGA Live Imaging TargetLock™.

Item / Assembly	Part #	Description	Notes	Qty.
2	2991677	MNT ASM UTX 80/45"	Mount Assembly for 1854080	1
	2991674	MNT ASM UTX 80-112/52"	Mount Assembly for 1854081	1
	2991675	MNT ASM UTX 112/45"	Mount Assembly for 1854082	1
A Items 4-8	2994887	BAG ASM, FORTREX/ULTREX MNT HDW		1
4	2263468	SCREW-1/4-20X2.5" S/S PPH		6
6	2263103	NUT-1/4-20 NYLOCK SS		6
8	2261713	WASHER-1/4 FLAT 18-8 SS		6
10	2373434	SCREW-1/4-20 X 3/4 SS PPMS		2
▲	2297172	INSTALL GUIDE, M360/TL MNT		1
12	2263806	STRAP-HLDDWN, 33", HOOK&LP		1



▲ Not shown on Parts Diagram.

* This part is included in an assembly and cannot be ordered individually.

TOOLS AND RESOURCES REQUIRED >

- 1/4" Allen Wrench
- Torque Wrench
- #2 Phillips Screwdriver
- Two #3 Phillips Screwdriver
- Drill
- 9/32" Drill Bit
- Pencil or similar marking tool
- 7/16" Box End Wrench
- A second person to help with the installation
- 5/64 Allen Wrench
- Hack Saw

MOUNTING CONSIDERATIONS >

Mounting considerations for the installation of a new mount are very similar to the installation of a brand new motor. It is recommended that the new mount be installed as close to the keel or centerline of the boat as possible. Make sure the area under the mounting location is clear to drill holes and install nuts and washers. Minn Kota requires the use of all 6 mounting holes. Make sure the motor rest on the mount is positioned far enough beyond the edge of the boat. The motor must not encounter any obstructions as it is lowered into the water or raised into the boat when stowed and deployed. Consider a quick release or adapter bracket with the installation of your new mount. To view a list of accessories, please visit minnkotamotors.com.

The Ultrex Accessory Mount provides improved lift assist for Ultrex motors when installed with both Humminbird MEGA 360 Imaging and MEGA Live Imaging TargetLock. When installing this Mount, complete the installation of the Humminbird accessories. Please refer to Humminbird for instructions for the Humminbird accessory installed on the motor. If using this Mount without the use of the Humminbird accessories, Minn Kota recommends using your original mount.

REMOVAL OF CURRENT MOUNT >

To install the Ultrex Accessory Mount, remove the current Mount from the trolling motor. This installation requires disconnecting the gas spring, removing the Steering Module from the Mount, and uninstalling the Mount from either the deck of the boat or a Quick Release Bracket.

> Disconnect the Gas Spring

1



WARNING

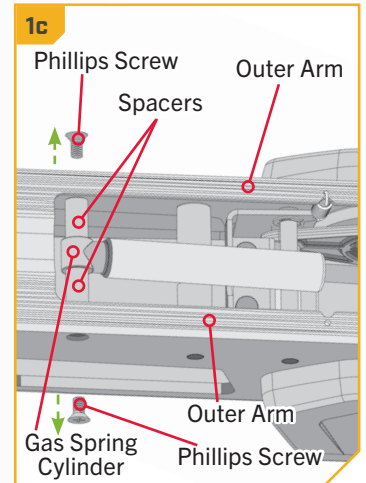
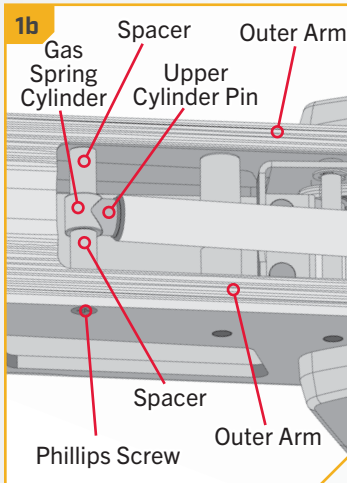
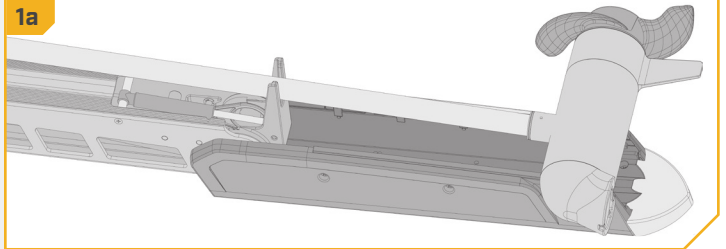
Moving parts can cut or crush. The gas assist lift mechanism is under pressure. Disconnect gas spring before removing motor from mount. Do not engage the Pull Grip and Cable until gas spring is disconnected.

- To remove the Steering Module, the Gas Spring needs to be disconnected. Place the motor in the stowed position.
- To disconnect the Gas Spring, locate the Upper Cylinder Pin. Two Phillips Screws hold the Upper Cylinder for the Gas Spring in place. Using two #3 Phillips screwdrivers, hold the screw at one end of the Upper Cylinder Pin in place.
- Remove the screw at the opposite end of the pin with the other #3 Phillips screwdriver.



WARNING

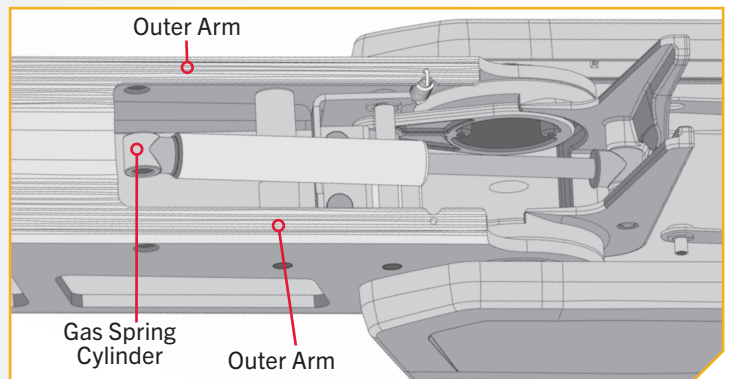
The gas assist lift mechanism in this unit is under high spring pressure when the motor is in the deployed position. Do not remove the Steering Module assembly from the mount without disconnecting one end of the gas spring. Failure to do this can create a condition where accidental pulling of the Pull Grip and Cable may cause the mount to spring open rapidly, striking anyone or anything in the direct path.



NOTICE: Use a #3 Phillips screwdriver to remove the screws. They have a pre-applied thread locker. Failure to use the recommended tool can cause damage and prevent the screws from being removed.

2

- Once the screws are removed, remove the pin and spacers from the Upper Cylinder.
- Now it is safe to move the motor into the deployed position.



Remove Motor From Mount

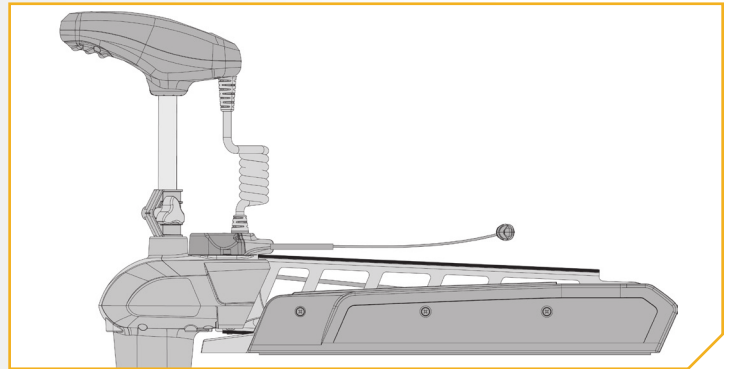
1

- a. With the gas spring disconnected, place the motor in the deployed position.



WARNING

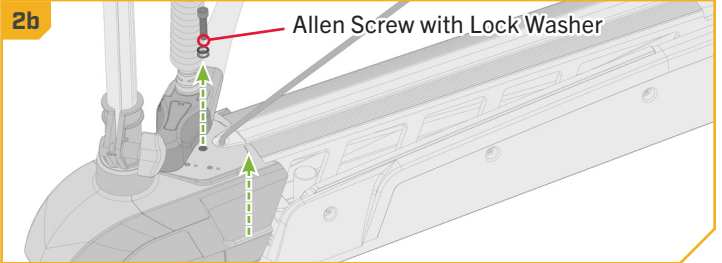
Moving parts can cut or crush. The gas assist lift mechanism is under pressure. Disconnect gas spring before removing motor from mount. Do not engage the Pull Grip and Cable until gas spring is disconnected.



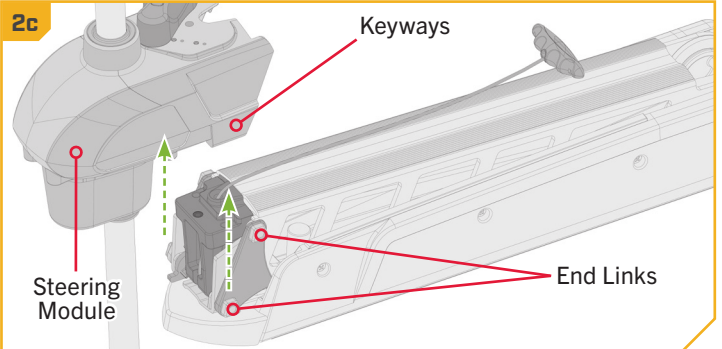
2

- b. A 5/16" Allen Screw is located on the Mount. The Screw is on the opposite end of the Mount from the hinge. The hinge allows the Mount to stow and deploy. Remove the 5/16" Allen Screw with a 1/4" Allen Wrench.
- c. Once the Allen Screw and Lock Washer are removed, lift the Steering Module straight up until free from the mount.

2b



2c



3

- d. Confirm that the Gas Spring Pin is disconnected. Please review the "Disconnect the Gas Spring" section of these instructions if unsure.

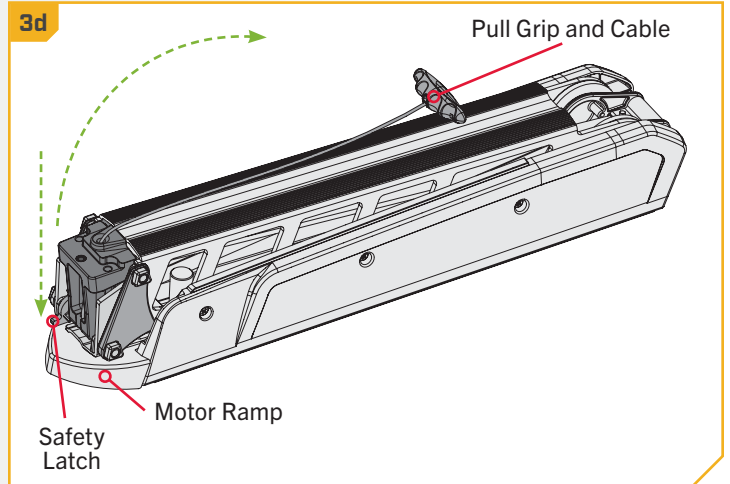


WARNING

Moving parts can cut or crush. The gas assist lift mechanism is under pressure. Disconnect gas spring before removing motor from mount. Do not engage the Pull Grip and Cable until gas spring is disconnected.

- e. Press and hold the Safety Latch down towards the Motor Ramp to the open position. With the Safety Latch held in the open position, stow the Mount with the Pull Grip and Cable to disengage the latch bar, allowing the Mount to fold into a flat position.
- f. Once the Mount is in the stowed or flat position, the Mount can be uninstalled from the deck of the boat or a Quick Release Bracket.

3d

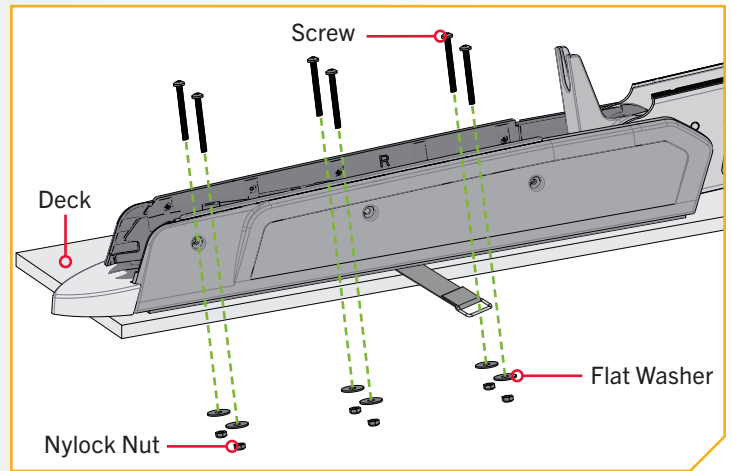


› Remove Mount from the Boat Deck

1

- Use a 7/16" Box End Wrench to hold one of the six Nylock Nuts securing the Mount to the Boat Deck. Then use a #3 Phillips Screwdriver to loosen and remove the 1/4-20 x 2 1/2" Screw held in place by the Nylock Nut.
- Remove the Flat Washer and then the Nylock Nut at the end of each Screw. Remove all six Screws until the Mount is free from the Deck of the Boat.
- Set the old Mount aside.

NOTICE : Discard the hardware securing the Mount to the Deck of the Boat. The new hardware Bag Assembly (Assembly #A) provided with the Mount Kit will be used to install the new mount on the deck of the boat.



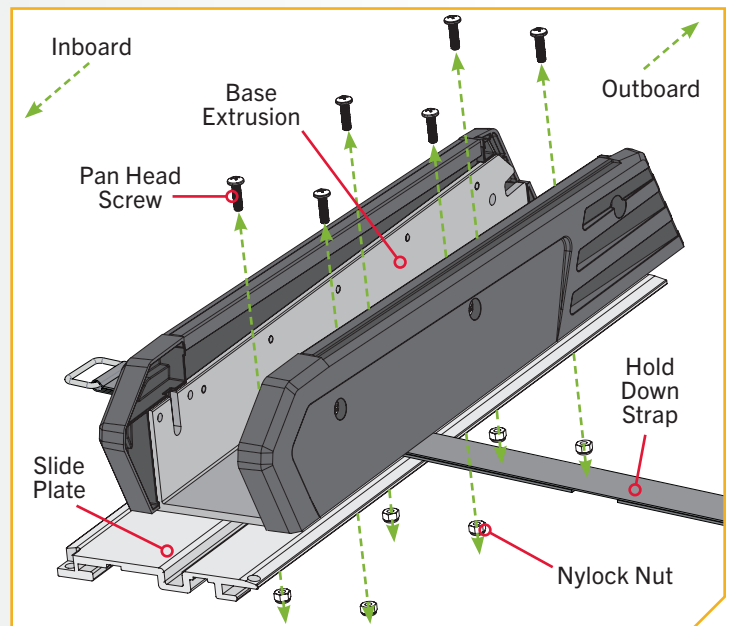
NOTICE: To prevent seizing of the stainless steel hardware, do not use high-speed installation tools. High-speed installation tools will cause the hardware to gall and make disassembly challenging.

› Remove Mount from the MKA-42 or MKA-52/62 Quick Release Bracket

1

- Use a 7/16" Box End Wrench to hold one of the six Nylock Nuts securing the Mount to the Slide Plate of the Quick Release Bracket. Then use a #3 Phillips Screwdriver to loosen and remove the 1/4" x 7/8" Pan Head Screw held in place by the Nylock Nut.
- Remove the Nylock Nut at the end of each screw. Remove all six Pan Head Screws until the Mount is free from the Slide Plate.
- Set the old Mount aside. Retain the Slide Plate for the new Mount.

NOTICE : Retain the hardware securing the Mount to the Quick Release Bracket. If new hardware is required to install the Ultrex Accessory Mount to the MKA-42 or MKA-52/62 Quick Release Bracket, Minn Kota recommends purchasing a new Bag Assembly (Part #2994829) online at minnkotamotors.com.



NOTICE: To prevent seizing of the stainless steel hardware, do not use high-speed installation tools. High-speed installation tools will cause the hardware to gall and make disassembly challenging.

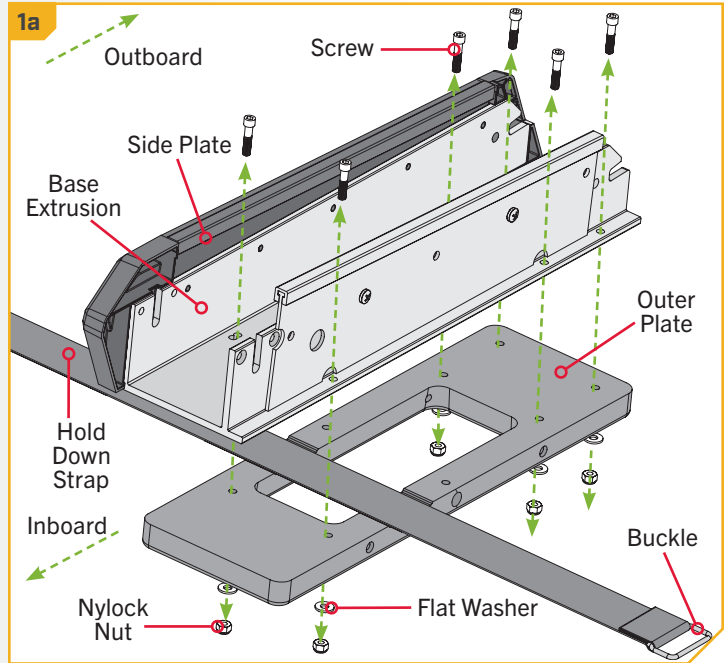
› Remove Mount from the MKA-23 or RTA-19

1

- Use a 7/16" Box End Wrench to hold one of the six Nylock Nuts securing the Mount to the Outer Plate of the Quick Release Bracket. Use a Socket Wrench to loosen and remove the 1/4" x 1 1/8" Socket Head Screws held in place by the Nylock Nut.
- Remove the Nylock Nut at the end of each screw. Remove all six Socket Head Screws until the Mount is free from the Outer Plate.
- Set the old Mount aside. Retain the Outer Plate of the Quick Release Bracket for the new Mount.

NOTICE: Retain the hardware securing the Mount to the Quick Release Bracket. If new hardware is required to install the Mount Kit to the MKA-23 or RTA-19 Quick Release Bracket, Minn Kota recommends purchasing Bag Assembly (Part #2994854) on line at minnkotamotors.com.

NOTICE: Depending on the bolt pattern used to install the Ultrex Mount to the Outer Plate of the Quick Release Bracket, the Right Side Plate may need to be removed to access the mounting holes in the base of the Mount. Use a #2 Screwdriver to remove the Side Plate if necessary.



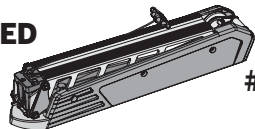
NOTICE: To prevent seizing of the stainless steel hardware, do not use high-speed installation tools. High-speed installation tools will cause the hardware to gall and make disassembly challenging.

INSTALLATION OF THE NEW MOUNT ›

› Assembly of Steering Module to the Ultrex Accessory Mount

1

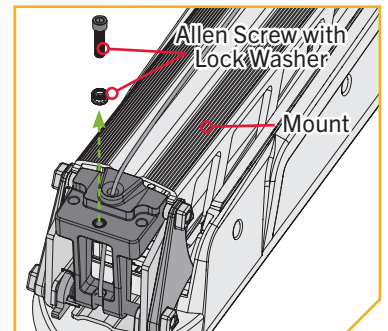
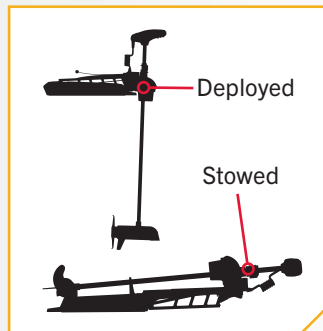
ITEM(S) NEEDED



#2 x 1

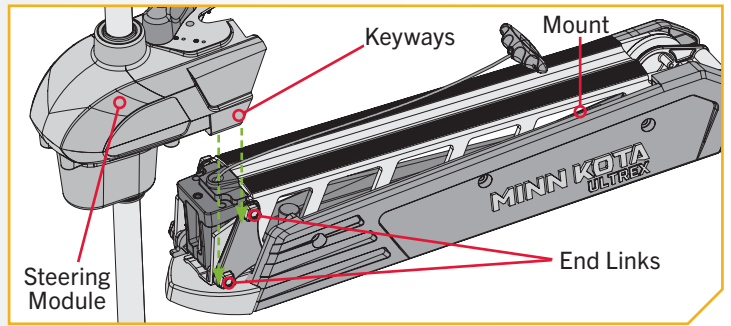
1 1 #10 x 2

- Place the Ultrex Accessory Mount (Item #2) on an elevated, level surface such as a workbench or the tailgate of a pickup. The Mount, as removed from the box, should be in the deployed position.
- A 5/16" Allen Screw is located on the Mount. The Screw is on the opposite end of the Mount from the hinge. The hinge allows the Mount to stow and deploy. Remove the 5/16" Allen Screw with a 1/4" Allen Wrench. Retain the two 1/4-20 X 3/4 Screws (Items #10) secured to the Mount with the Allen Screw for later in the installation. Retain the Allen Screw and Lock Washer for reassembly.



2

- c. Take the Steering Assembly uninstalled from the old Mount. Align the Keyways on the inside of the Steering Module with the End Links on the Ultrex Mount Accessory. Do this by positioning the Steering Module above the End Links on the Mount.
- d. Lower the Motor Assembly straight down until the Steering Module is seated.



⚠ WARNING

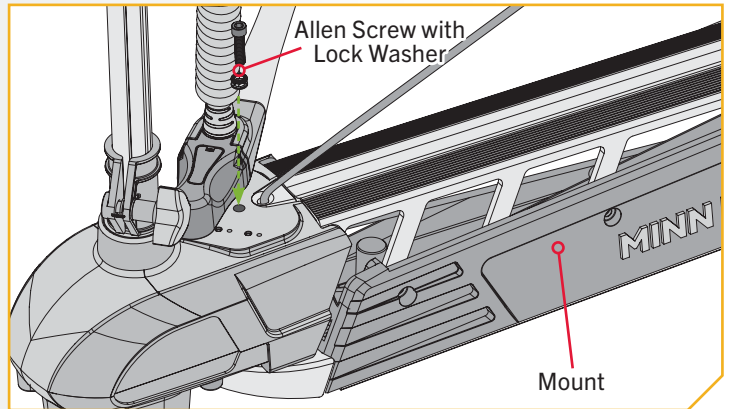
Carefully lower the Steering Module into place to avoid creating a pinch point between the Steering Module and Mount.

NOTICE: The Steering Assembly that was removed from the old Mount contains the Control Head, Shaft, Lower Unit, Steering Module and Foot Pedal.

3

- e. Reinstall the 5/16" Allen Screw and Lock Washer and tighten to 18 to 20 ft-lbs with a Torque Wrench.

NOTICE: The 5/16" Allen Screw must be tightened when installed and periodically re-tightened to 18 to 20 ft-lbs. This will allow the motor to stow properly. Tighten the Allen Screw when the Mount is in the deployed position.



» **Selecting a Mounting Location**

In completing the installation of the new Mount, it will only be possible to install the new Mount in one of three options:

1. Installing the Ultrex Accessory Mount to the Boat Deck
2. Installing the Ultrex Accessory Mount to the MKA-42 or MKA-52/62 Quick Release Bracket
3. Installing the Ultrex Accessory Mount to the MKA-23 or RTA-19 Quick Release Bracket

Select the desired mounting option and confirm the placement on the Boat Deck allows for the desired installation. Use the option when selecting, marking, and drilling the mounting location. Once the mounting location instructions are complete, follow the installation instructions below for the appropriate mounting option.

During installation, Minn Kota recommends mounting the motor to the boat before installing the Gas Spring. The Gas Spring is inside the Gas Spring Cylinder. The Gas Spring Cylinder is located on the inside of the Outer Arm. The Outer Arm is a part of the Mount. At this point in the installation, the Gas Spring Cylinder on the new Mount is not fully installed and may move around inside the mount when stowing and deploying the motor. The Gas Spring Cylinder can become damaged while deploying the motor, and the damage will prevent the Lift-Assist feature from operating correctly once fully assembled. Make sure that the Gas Spring Cylinder does not get damaged in the Mount.

NOTICE : If mounting to a Quick Release Bracket, check the placement of the new Mount with the plate from the Quick Release Bracket that was removed from the old mount. For motors installed to a MKA-42 or MKA-52/62, this piece is the Slide Plate composed of aluminum and may be short or long. For Mounts previously installed to a MKA-23 or RTA-19, this piece is the Outer Plate and is composite. The composite plate may be black (Part #2371973) or white (Part #2371972).

In addition, it may be necessary to change the installation placement from the original mounting location of the trolling motor on the deck of the boat. Minn Kota requires the use of all six mounting holes. If a Quick Release Bracket is used, Minn Kota requires the use of all six mounting holes to install the bracket to the Boat Deck. Check the placement of the trolling motor as it is intended to be installed. If the trolling motor is installed with a Quick Release Bracket, the bracket should be used when confirming the location of the new Mount. Check

the installation instructions for the Quick Release Brackets for more information. If installing the motor with an MKA-23 or RTA-19, please reference installation instructions 2374918. If installing the motor with an MKA-42 or MKA 52/62, please reference installation instructions 2374911. For complete installation instructions for either Quick Release Bracket, please visit minnkotamotors.com.

NOTICE: If installing the new mount to a Quick Release Bracket, double-check the placement of the plate that is installed to the Boat Deck. If the outer or bottom plate attached to the Boat Deck needs to be moved, please refer to the installation instructions for the Quick Release Bracket. Instructions can be found online at minnkotamotors.com.

1

ITEM(S) NEEDED

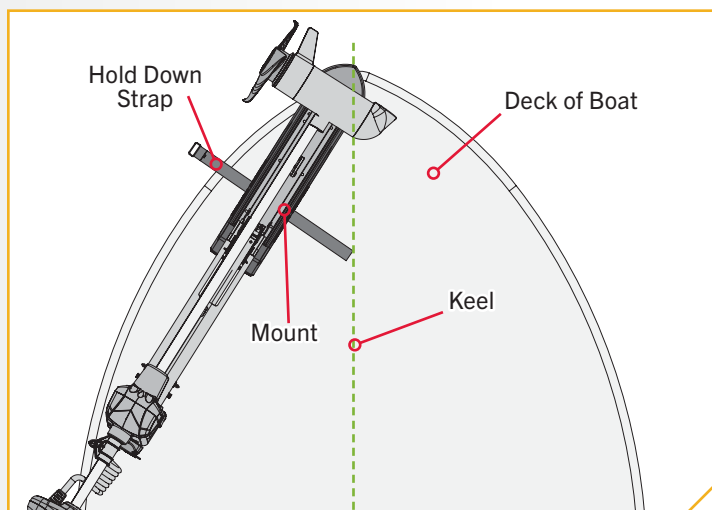


- a. Review the mounting considerations at the beginning of the Installation section for proper placement. With the motor in the stowed position, place the Mount on the deck of the boat, as close to the centerline or keel as possible. Check placement with the motor in both the stowed and deployed positions.

CAUTION

The Gas Spring can become damaged in the Mount while stowing or deploying the motor because it is not yet fully installed. Damage will prevent the Lift-Assist feature from operating correctly once fully assembled. Make sure that the Gas Spring does not get damaged by keeping it inside the Outer Arm of the Mount.

- b. Place the Hold Down Strap (Item #12) under the Base Extrusion so that it is below the Mount when placed. If installing with a Quick Release Bracket, be sure the Hold Down Strap is placed in the appropriate groove of the bracket.

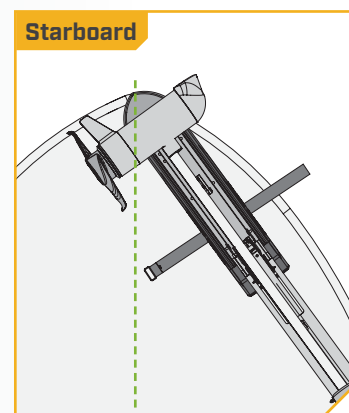
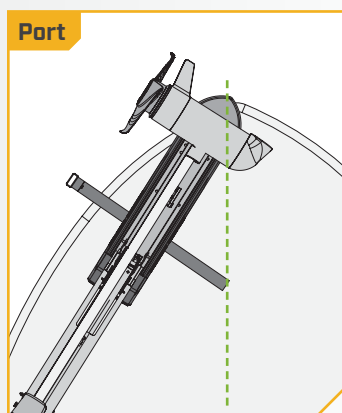


NOTICE: This motor weighs approximately 55 lbs. Minn Kota recommend having a second person help with the installation.

NOTICE: Check that the Motor can properly stow and deploy at the intended mounting location. The Mount should latch closed when deployed. A proper deployment requires engaging the Pull Grip and Cable when the Motor is stowed to unlatch the Mount. If the latch on the Mount does not engage when deployed, it could indicate that the Mount is not flat on the Boat Deck. Use rubber washers to level the Mount on the Boat Deck if the Mount is not latching when deployed.

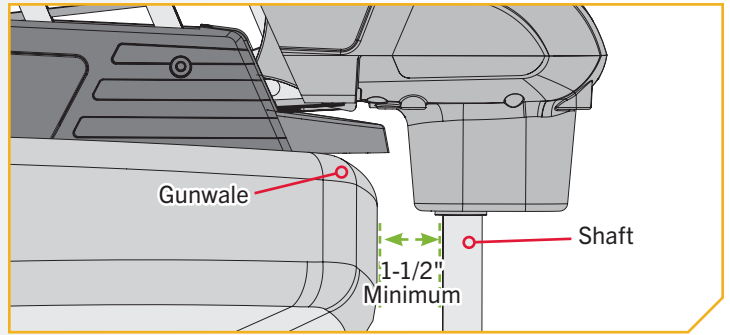
2

- c. The Mount can be installed on either the Port or Starboard side of the boat based on personal preference. Test the placement of the Hold Down Strap to be sure it can hold the Mount as placed. The placement of the buckle on the Hold Down Strap either inboard or outboard is based on personal preference. The hook and loop on the fastener should be face down for the Hold Down Strap to function.



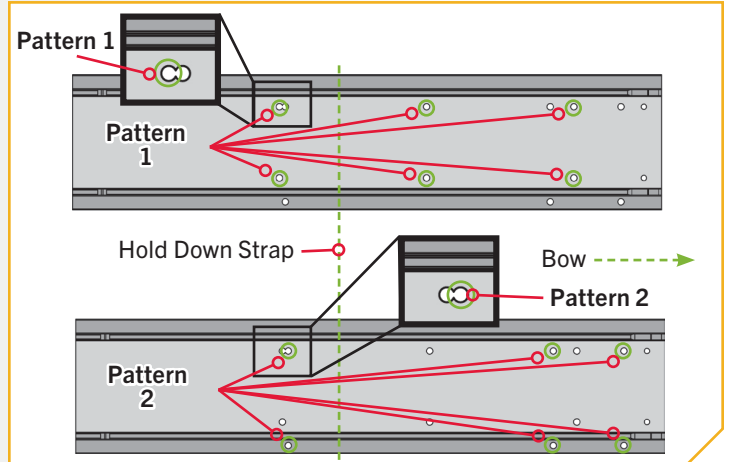
3

- d. With the motor in the deployed position, make sure that the Shaft is 1-1/2" out past the Gunwale of the boat. The lower unit must not encounter any obstructions when stowed or deployed.
- e. Check the placement of the Hold Down Strap when the motor is in the stowed and deployed positions and adjust if necessary.



4

- f. Once the Mount is in position, determine which bolt pattern to use. The bolt pattern selected will depend on the deck space available on your boat. Minn Kota requires the use of all six mounting holes.
- g. Mark all six mounting holes. Drill through the deck of the boat using a 9/32" Drill Bit on the marked locations.
- h. Be sure the Hold Down Strap under the base of the Base Extrusion sits between the second and third set of bolts according to the mounting pattern selected. Double-check that it can close around the Mount when stowed.
- i. Move the motor to the stowed position to install the hardware once the placement of the Hold Down Strap is positioned.



NOTICE: If Pattern 2 is used, the Hold Down Strap must be removed to access the mounting holes in the base of the Mount. Use a #2 Screwdriver to remove the side plate.

Installing the Ultrex Accessory Mount to the Boat Deck

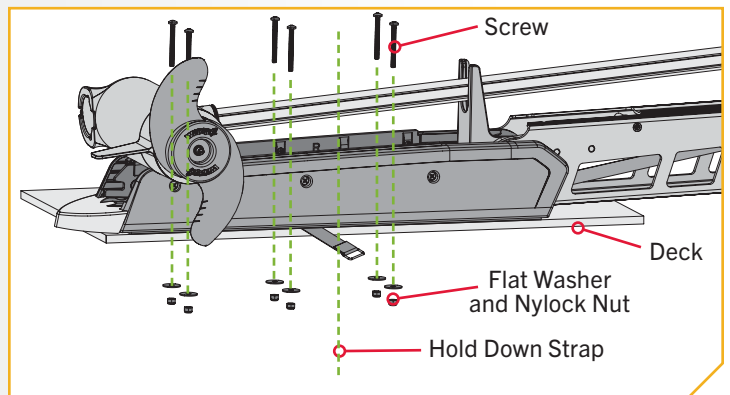
1

ITEM(S) NEEDED

- #6 x 6
- #8 x 6
- #4 x 6

- a. Confirm the placement of the Hold Down Strap.
- b. Put a 1/4-20 x 2 1/2" Screw (Item #4) in each of the drilled locations. The screw should pass through the Base Extrusion and the boat deck.
- c. Place a Flat Washer (Item #8) and then a Nylock Nut (Item #6) at the end of each screw and secure. Make sure all hardware is secure using a #3 Phillips Screwdriver and a 7/16" Box End Wrench.

NOTICE: To prevent seizing of the stainless steel hardware, do not use high-speed installation tools. Wetting the screws or applying an anti-seize may help prevent seizing.



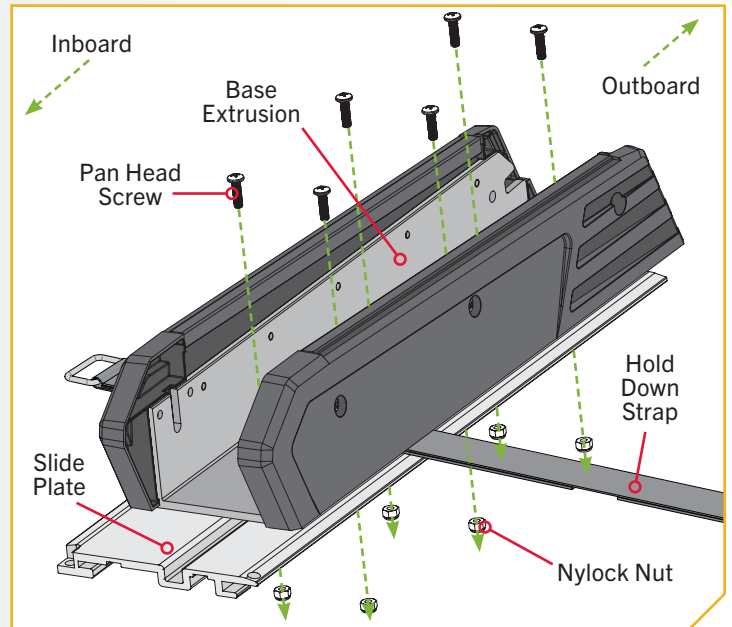
› Installing the Ultrex Accessory Mount to the MKA-42 or MKA-52/62 Quick Release Bracket

1

- Take the Slide Plate and align the mounting holes on the plate with the mounting holes on the Base Extrusion. The mounting holes closest to the short edge of the plate should face outboard. Make sure the Hold Down Strap is placed between the Mount and Slide Plate.
- Using a #3 Screwdriver, fasten the Base Extrusion to the Slide Plate with six 1/4" x 7/8" Pan Head Screws and six Nylock Nuts retained from the previous installation. The Screws should pass through the Base Extrusion and Slide Plate, then secured with a Nylock Nut.

NOTICE: If new hardware is required to install the Mount Kit to the MKA-42 or MKA-52/62 Quick Release Bracket, Minn Kota recommends purchasing Bag Assembly (Part #2994829) online at minnkotamotors.com.

NOTICE: To prevent seizing of the stainless steel hardware, do not use high-speed installation tools. Wetting the screws or applying an anti-seize may help prevent seizing.



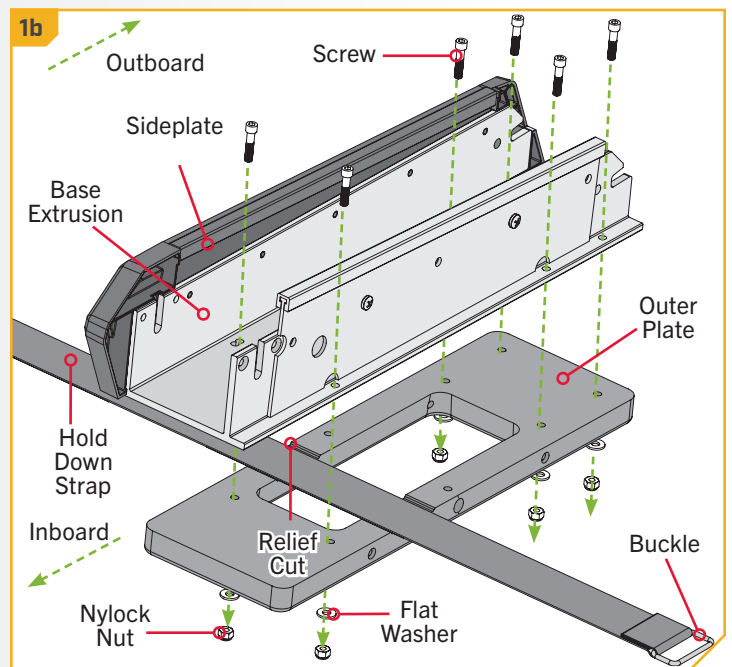
› Installing the Ultrex Accessory Mount to the MKA-23 or RTA-19 Quick Release Bracket

1

- Align the Base Extrusion with the mounting holes of the Outer Plate. Place the Hold Down Strap between the Base Extrusion and the Outer Plate. The strap must be located in the Relief Cut on the Outer Plate, or Quick Release Bracket failure may occur.
- Use six 1/4" x 1 1/8" Socket Head Screws, six Flat Washers, and six Nylock Nuts retained from the disassembly to fasten the motor mount to the Outer Plate. The Screws should pass through the Base Extrusion, the Outer Plate, then the Flat Washers and be secured by a Nylock Nut. Secure with a Socket Wrench and a 7/16" Box End Wrench.
- If the Right Sideplate was removed, reinstall it with a #2 Screwdriver.

NOTICE: To prevent seizing of the stainless steel hardware, do not use high-speed installation tools. Wetting the screws or applying an anti-seize may help prevent seizing.

NOTICE: If new hardware is required to install the Mount Kit to the MKA-23 or RTA-19 Quick Release Bracket, Minn Kota recommends purchasing Bag Assembly (Part #2994854) online at minnkotamotors.com.



NOTICE: Depending on the bolt pattern used to install the Ultrex Mount to the Outer Plate of the Quick Release Bracket, the Right Sideplate may need to be removed to access the mounting holes in the base of the Mount. Use a #2 Screwdriver to remove the Right Sideplate if necessary.

Installing the Gas Spring

1

- Use the Pull Grip and Cable to disengage the Latch Bar on the Mount.
- With the help of a second person, loosen the Depth Collar and position the motor halfway between the stowed and deployed position so that the Lower Unit rests on the Motor Ramp.



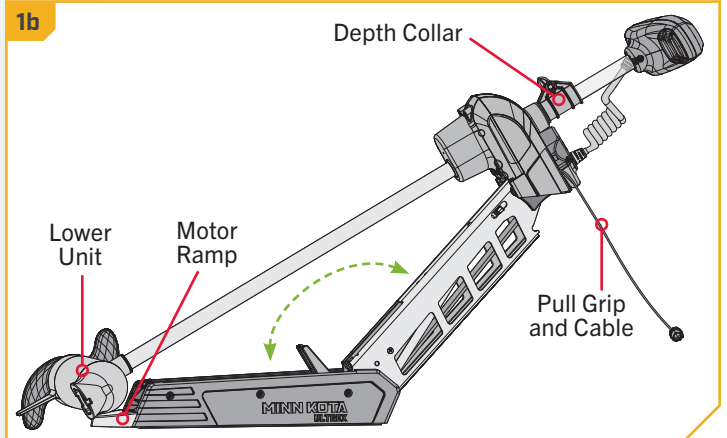
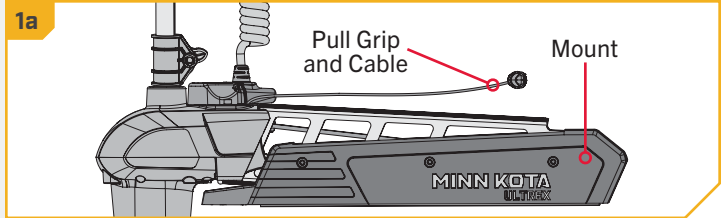
WARNING

Moving parts can cut or crush. The gas assist lift mechanism is under pressure. Disconnect gas spring before removing motor from mount. Do not engage the Pull Grip and Cable until gas spring is disconnected.



WARNING

The gas assist lift mechanism in this unit is under high spring pressure when the motor is in the deployed position. Do not remove the Steering Module assembly from the mount without disconnecting one end of the gas spring. Failure to do this can create a condition where accidental pulling of the Pull Grip and Cable may cause the mount to spring open rapidly, striking anyone or anything in the direct path.



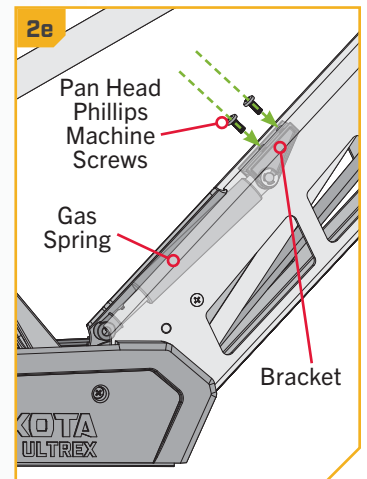
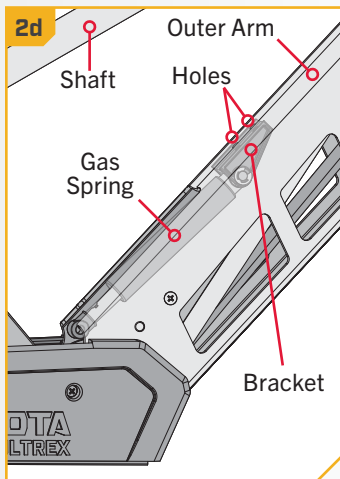
2

ITEM(S) NEEDED



#10 x 2

- The Gas Spring is located inside the Outer Arm. Once the motor is correctly positioned, the Gas Spring can be secured in place.
- There is a loose Bracket on the end of the Gas Spring with holes and recessed Nylock Nuts. Align the Bracket with the holes in the Outer Arm, which should be below the Shaft. Adjust the motor as needed to align the Bracket with the holes in the Outer Arm.
- Take two Pan Head Phillips Machine Screws (Item #10) and install them through the holes in the Outer Arm and into the Bracket at the end of the Gas Spring using a #3 Screwdriver. Tighten to 35 in-lbs.



› Adjusting the Pull Grip and Cable

The length of the Cable on the Pull Grip and Cable can be adjusted based on personal preference. Before beginning the adjustment, the Gas Spring must be disengaged and the Steering Module must be removed. Please refer to the Removal of the Steering Module section and follow the procedure to Disconnect the Gas and Remove Motor from Mount. It is important to remove the Gas Spring and the Steering Module in order to access the Cable and associated hardware to make any adjustments.

1

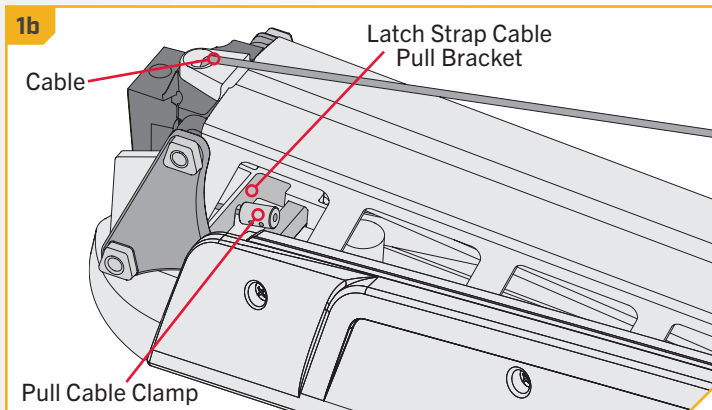
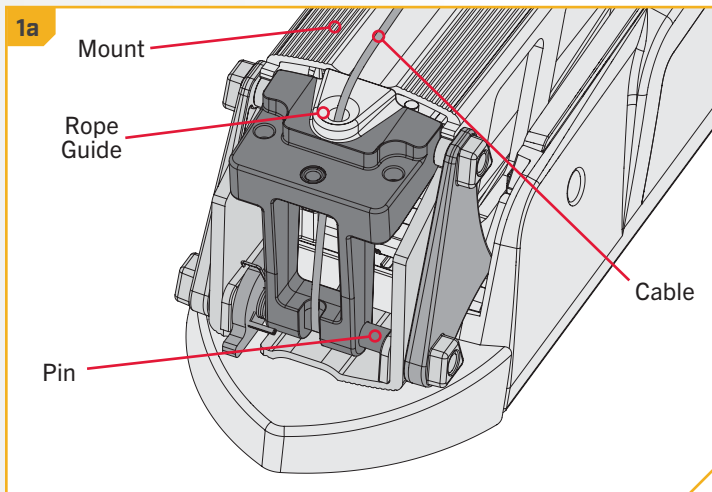
WARNING

Please refer to the Removal of the Steering Module section of this manual and follow the procedure to Disconnect the Gas Spring and Remove Motor from Mount. It is important to remove the Steering Module and Remove the Gas Spring in order to access the Cable and associated hardware to make the adjustment. Failure to complete these necessary steps will prevent the adjustment from being possible and will result in risk of injury.

- a. With the Gas Spring disconnected and the Steering Module removed, ensure that the mount is in the deployed position.

NOTICE: Observe how the Cable is routed through the Cable Guide, around the Pin, and into the Latch/Strap Cable Pull Bracket.

- b. Locate the end of the Cable and the Pull Cable Clamp inside the Aluminum Arm of the Mount.

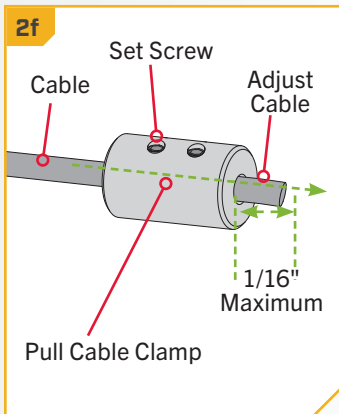
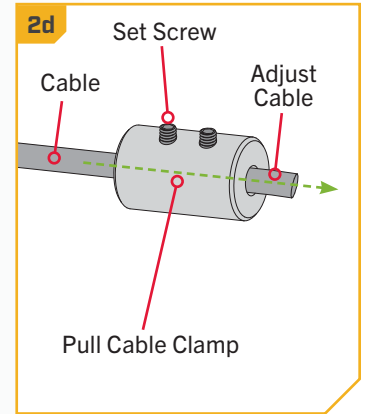
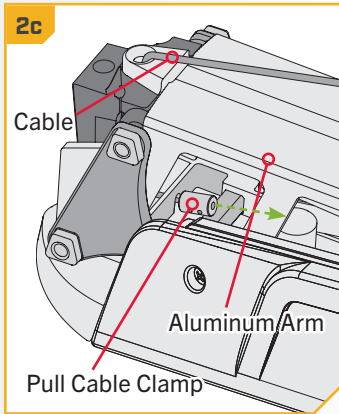


2

- c. Grasp the Pull Cable Clamp and Cable and pull it out of the Aluminum Arm.
- d. The Pull Cable Clamp contains two Set Screws. Loosen- but do not remove- these two screws with a 5/64 Allen Wrench until the Cable can slide in the Pull Cable Clamp.
- e. Adjust the Cable to the desired length.
- f. Retighten the two Set Screws using the 5/64 Allen Wrench. Tighten the Set Screws to 16-19 in-lbs. Be sure that the Set Screws are properly seated on the Cable in the Pull Cable Clamp. The Set Screws must provide adequate tension on the Cable to keep it retained in the Pull Cable Clamp during normal operation. When the two Set Screws are properly tightened, they must be recessed slightly below the surface of the Pull Cable Clamp.

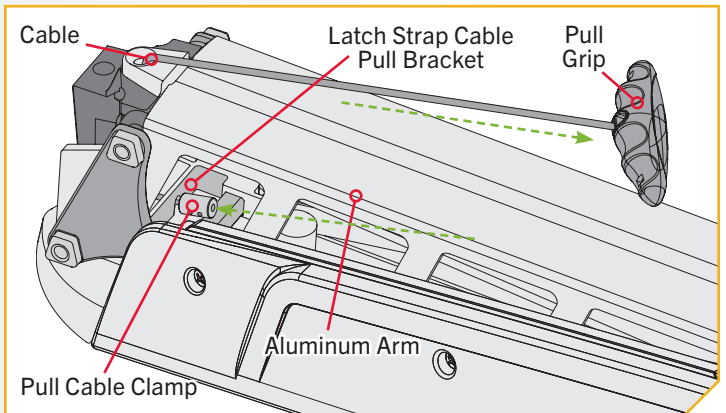
NOTICE: Be sure the two Set Screws are tightened adequately. When properly tightened, the two Set Screws must at least be recessed below the Pull Cable Clamp to maintain tension on the Cable in the Pull Cable Clamp during normal operation.

- g. Using a Hack Saw, trim the Cable so there is no more that 1/16" excess beyond the Pull Cable Clamp.



3

- h. Once the Cable has been cut to length, take the Pull Grip and pull the Cable back into place until it is seated against the Latch Strap Cable Pull Bracket.
- i. After the Cable is in place, refer to the "Removal of the Steering Module" section of these instructions and follow the procedure to "Reassemble the Steering Module."



For warranty information, please visit minnkotamotors.com.



Minn Kota Consumer & Technical Service
Johnson Outdoors Marine Electronics, Inc.
PO Box 8129
Mankato, MN 56001

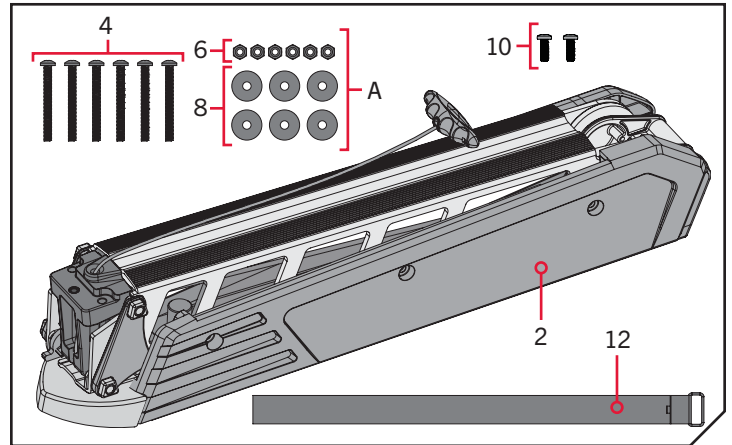
121 Power Drive
Mankato, MN 56001
Phone (800) 227-6433
Fax (800) 527-4464



©2022 Johnson Outdoors Marine Electronics, Inc.
All rights reserved.

Conçu pour offrir une assistance au levage améliorée pour les moteurs Ultrex équipés d'un MEGA 360 Imaging™ de Humminbird® et d'un MEGA Live Imaging TargetLock™.

Article/ Ensemble	N° de pièce	Description	Remarques	Qté
2	2991677	MNT ASM UTX 80/45"	Pour l'ensemble du support 1854080	1
	2991674	MNT ASM UTX 80-112/52"	Pour l'ensemble du support 1854081	1
	2991675	MNT ASM UTX 112/45"	Pour l'ensemble du support 1854082	1
A Articles 4 à 8	2994887	BAG ASM, FORTREX/ULTREX MNT HDW		1
4	2263468	SCREW-1/4-20X2.5" S/S PPH		6
6	2263103	NUT-1/4-20 NYLOCK SS		6
8	2261713	WASHER-1/4 FLAT 18-8 SS		6
10	2373434	SCREW-1/4-20 X 3/4 SS PPMS		2
▲	2297172	INSTALL GUIDE, M360/TL MNT		1
12	2263806	STRAP-HLDDWN, 33", HOOK&LP		1



▲ Non affiché sur le schéma des pièces.

* Cette pièce est incluse dans un ensemble et ne peut pas être commandée individuellement.

OUTILS ET RESSOURCES NÉCESSAIRES >

- Clé hexagonale de 1/4 po (6,4 mm)
- Clé dynamométrique
- Tournevis cruciforme n° 2
- Deux tournevis cruciforme n° 3
- Perceuse
- Mèche de 9/32 po (7,1 mm)
- Crayon ou autre outil de marquage semblable
- Clé polygonale 7/16 po (11,1 mm)
- Scie à métaux
- Une deuxième personne pour vous aider avec l'installation
- Clé hexagonale de 5/64 po (1,98 mm)

FACTEURS DE MONTAGE >

Les considérations de montage pour l'installation d'un nouveau support sont très similaires à celles d'un tout nouveau moteur. Il est recommandé que le moteur soit monté aussi près que possible de la quille ou de l'axe du bateau. Assurez-vous que la zone sous l'emplacement de montage est dégagée afin de pouvoir percer les trous et installer les rondelles et les écrous. Minn Kota nécessite l'utilisation des 6 trous de montage. Assurez-vous que le repose-moteur sur le support est positionné assez loin du bord du bateau. Le moteur ne doit rencontrer aucune obstruction lorsqu'il est abaissé dans l'eau ou monté dans le bateau pour arrimage ou déploiement. Envisagez l'installation d'un support à dégagement rapide ou d'un support adaptateur avec votre nouveau support de montage. Pour la liste complète des accessoires, veuillez visiter minnkotamotors.com.

Le support pour accessoire Ultrex offre une meilleure aide au levage pour les moteurs Ultrex lorsqu'il est installé avec le MEGA 360 Imaging Humminbird et le MEGA Live Imaging TargetLock. Lors de l'installation de ce support, terminez l'installation des accessoires Humminbird. Veuillez consulter Humminbird pour obtenir des instructions sur l'accessoire Humminbird installé sur le moteur. Si vous utilisez ce support sans utiliser les accessoires Humminbird, Minn Kota recommande d'utiliser votre support d'origine.

RETRAIT DU SUPPORT ACTUEL >

Pour installer le support pour accessoire Ultrex, retirez le support actuel du moteur de pêche à la traîne. Cette installation nécessite le débranchement du ressort à gaz, le retrait du module de direction du support et la désinstallation du support soit du pont du bateau, soit du support à dégagement rapide.

> Débranchez le ressort à gaz

1

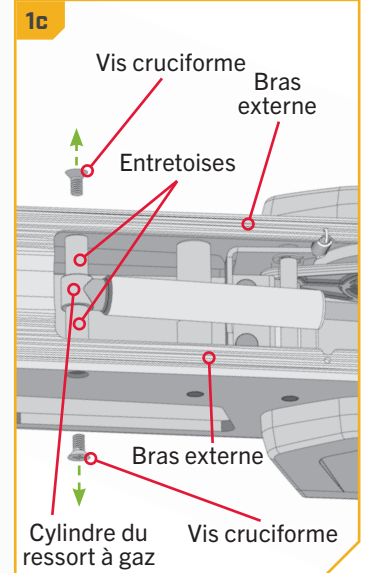
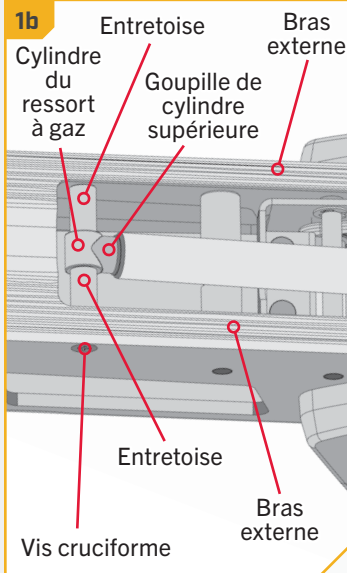
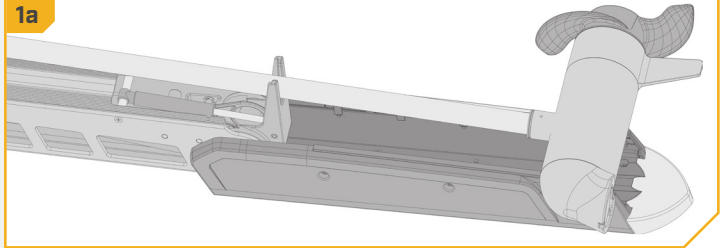
AVERTISSEMENT

Les pièces mobiles peuvent couper ou écraser. Le mécanisme de remontage au gaz est sous pression. Vous devez déconnecter le ressort à gaz avant de retirer le moteur du support. Ne pas engager la poignée et la corde de traction tant que le ressort à gaz est déconnecté.

- Afin de retirer le module du gouvernail, le ressort à gaz doit être déconnecté. Placez le moteur dans la position arrimée.
- Pour déconnecter le ressort à gaz, repérez la goupille de cylindre supérieure. Deux vis cruciformes retiennent en place le cylindre supérieur pour le ressort à gaz. En utilisant deux tournevis cruciformes n° 3, maintenez la vis à une extrémité de la goupille du cylindre supérieur en place.
- Retirez la vis du côté opposé de la goupille avec l'autre tournevis cruciforme n° 3.

AVERTISSEMENT

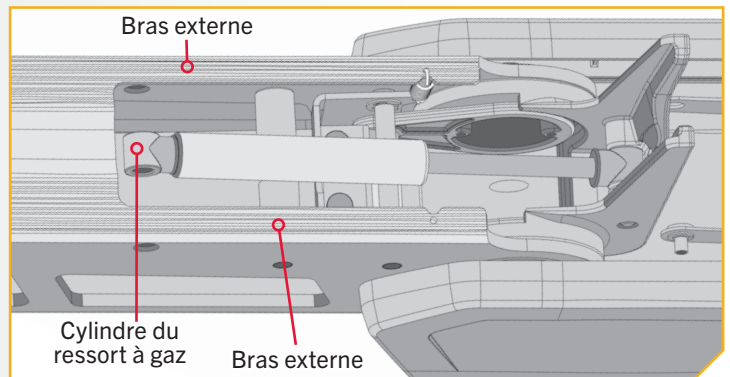
Le mécanisme de remontage au gaz dans l'unité est sous haute pression lorsque le moteur est en position déployée. Ne retirez pas l'ensemble de module de direction du support sans déconnecter une des extrémités du ressort à gaz. Le défaut de suivre cette consigne peut former une condition où une traction accidentelle de la poignée et corde de traction pourrait entraîner l'ouverture soudaine du ressort, frappant toute personne ou chose sur son chemin.



AVIS : Utilisez un tournevis cruciforme n° 3 pour retirer les vis. Ils ont un casier de fil pré-appliqué. La non-utilisation de l'outil recommandé peut causer des dommages et empêcher le retrait des vis.

2

- Une fois les vis retirées, la goupille et les entretoises peuvent être retirées du cylindre supérieur.
- Il est maintenant sécuritaire de déplacer le moteur en position déployée.



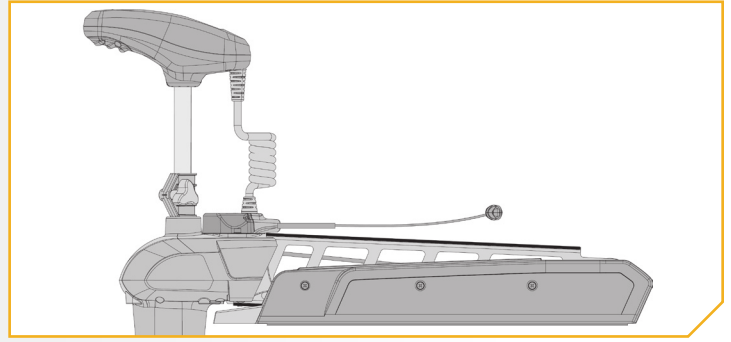
› Enlevez le moteur du support

1

- a. Lorsque le ressort à gaz est déconnecté, placez le moteur en position déployée.

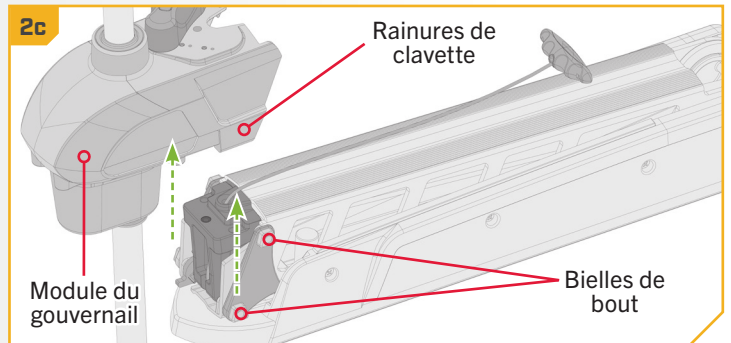
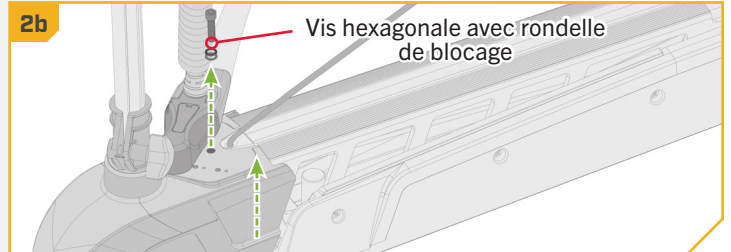
AVERTISSEMENT

Les pièces mobiles peuvent couper ou écraser. Le mécanisme de remontage au gaz est sous pression. Vous devez déconnecter le ressort à gaz avant de retirer le moteur du support. Ne pas engager la poignée et la corde de traction tant que le ressort à gaz est déconnecté.



2

- b. Une vis à six pans creux de 7,9 mm (5/16 po) est située sur le support. La vis se trouve à l'extrémité opposée du support de la charnière. La charnière permet au support de se ranger et de se déployer. Retirez la vis hexagonale 7,9 mm (5/16 po) avec une clé hexagonale de 1,4 mm (1/4 po).
- c. Une fois la vis hexagonale et la rondelle de blocage enlevées, soulevez le module du gouvernail tout droit jusqu'à ce qu'il soit dégagé du support.

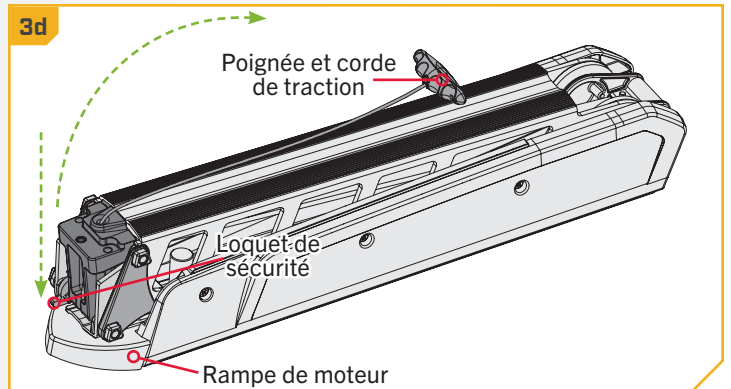


3

- d. Confirmez que la goupille du ressort à gaz est débranchée. Veuillez consulter la section « Débranchement du ressort à gaz » de ces instructions en cas de doute.
- e. Appuyez sur le loquet de sécurité et maintenez-le enfoncé en direction de la rampe du moteur jusqu'à la position ouverte. Avec le loquet de sécurité en position ouverte rangez le support à l'aide de la poignée de traction et du câble pour dégager la barre de verrouillage, ce qui permet au support de se replier à plat.
- f. Une fois que le support est rangé ou à plat, le support peut être désinstallé du pont du bateau ou d'un support à dégagement rapide.

AVERTISSEMENT

Les pièces mobiles peuvent couper ou écraser. Le mécanisme de remontage au gaz est sous pression. Vous devez déconnecter le ressort à gaz avant de retirer le moteur du support. Ne pas engager la poignée et la corde de traction tant que le ressort à gaz est déconnecté.

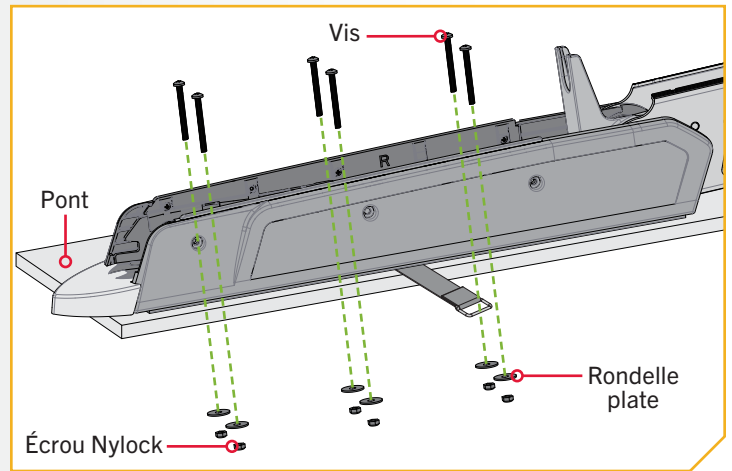


Retirez le support du pont du bateau

1

- Utilisez une clé polygonale de 11,1 mm (7/16 po) pour tenir l'un des six écrous Nylock fixant le pont du bateau. Ensuite, utilisez un tournevis cruciforme no 3 pour desserrer et retirer la vis 6,4 mm (1/4 po)-20 x 6,4 cm (2 1/2 po) maintenue en place par l'écrou Nylock.
- Retirez la rondelle plate et l'écrou Nylock à l'extrémité de chaque vis. Retirez les six vis jusqu'à ce que le support soit dégagé du pont du bateau.
- Mettez l'ancien support de côté.

AVIS : Jetez la quincaillerie fixant le support au pont du bateau. Le nouvel assemblage de sac de quincaillerie (assemblage A) fourni avec la trousse de montage sera utilisé pour installer le nouveau support sur le pont du bateau.



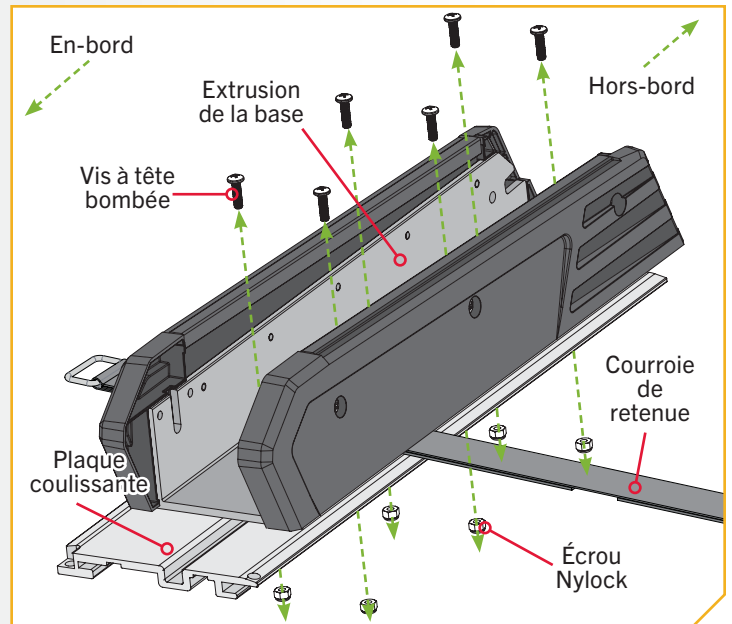
AVIS : Pour prévenir le grippage de la quincaillerie en acier inoxydable, n'utilisez pas d'outils haute vitesse pour l'installation. Les outils d'installation à haute vitesse provoquent un grippage du matériel et rendent le démontage difficile.

Retirez le support de montage du support à déchargement rapide MKA-42 ou MKA-52/62

1

- Utilisez une clé polygonale de 11,1 mm (7/16 po) pour tenir l'un des six écrous Nylock fixant le support à la plaque coulissante du support à déchargement rapide. Ensuite, utilisez un tournevis cruciforme no 3 pour desserrer et retirer la vis 6,4 mm (1/4 po) x 22,2 mm (7/8 po) maintenue en place par l'écrou Nylock.
- Retirez l'écrou Nylock à l'extrémité de chaque vis. Retirez les six vis à tête cylindrique bombée jusqu'à ce que le support soit dégagé de la plaque coulissante.
- Conservez la plaque coulissante pour le nouveau support.

AVIS : Conservez la quincaillerie fixant le support au support à déchargement rapide. Si du nouveau matériel est nécessaire pour installer le support pour accessoire Ultrex sur le support à déchargement rapide MKA-42 ou MKA-52/62, Minn Kota recommande d'acheter un nouvel assemblage de sac (pièce no 2994829) en ligne à minnkotamotors.com.



AVIS : Pour prévenir le grippage de la quincaillerie en acier inoxydable, n'utilisez pas d'outils haute vitesse pour l'installation. Les outils d'installation à haute vitesse provoquent un grippage du matériel et rendent le démontage difficile.

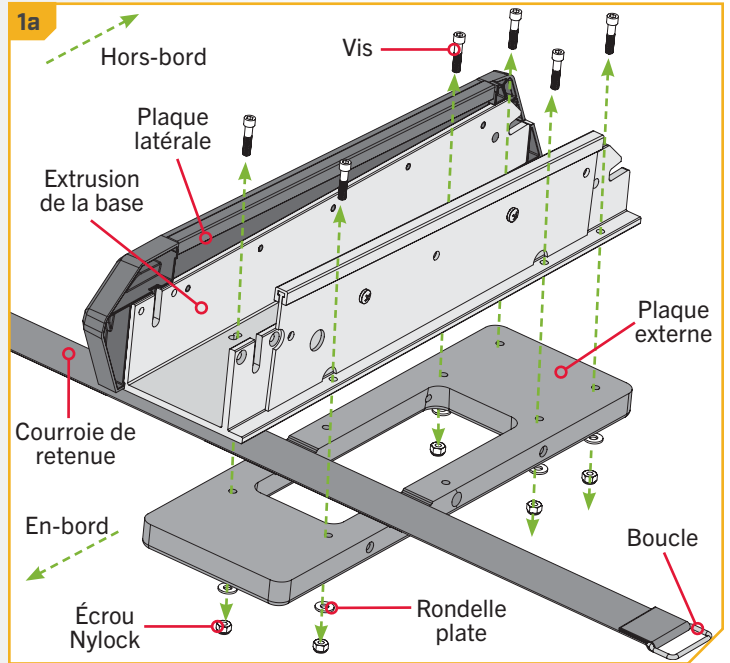
Retirer le support du MKA-23 ou du RTA-19

1

- Utilisez une clé polygonale de 11,1 mm (7/16 po) pour tenir l'un des six écrous Nylock fixant le support à la plaque externe du support à dégagement rapide. Utiliser une clé à douille pour desserrer et retirer les vis à tête creuse de 6,4 mm x 28,6 mm (1/4 po x 1 1/8 po) maintenues en place par l'écrou Nylock.
- Retirez l'écrou Nylock à l'extrémité de chaque vis. Retirez les six vis à tête creuse jusqu'à ce que le support soit dégagé de la plaque extérieure.
- Conservez la plaque extérieure du support à dégagement rapide pour le nouveau support.

AVIS : Conservez la quincaillerie fixant le support au support à dégagement rapide. Si des nouveaux éléments de quincaillerie sont nécessaires pour installer la trousse de montage sur le support à dégagement rapide MKA-23 ou RTA-19, Minn Kota recommande d'acheter un nouvel assemblage de sac (pièce no 2994854) en ligne à minnkotamotors.com.

AVIS : Pour prévenir le grippage de la quincaillerie en acier inoxydable, n'utilisez pas d'outils haute vitesse pour l'installation. Les outils d'installation à haute vitesse provoquent un grippage du matériel et rendent le démontage difficile.



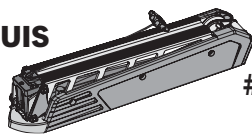
AVIS : Selon le modèle de boulon utilisé pour installer le support Ultrex sur la plaque extérieure du support à dégagement rapide, la plaque latérale droite peut devoir être retirée pour accéder aux trous de montage à la base du support. Utilisez un tournevis n° 2 pour retirer la plaque latérale si nécessaire.

INSTALLATION DU NOUVEAU SUPPORT DE MONTAGE

Assemblage du module du gouvernail au support pour accessoire Ultrex

1

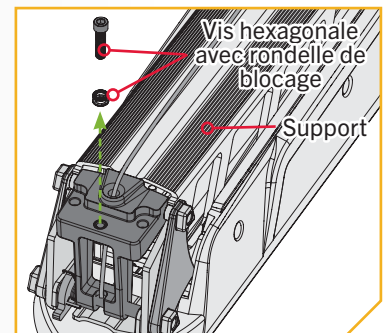
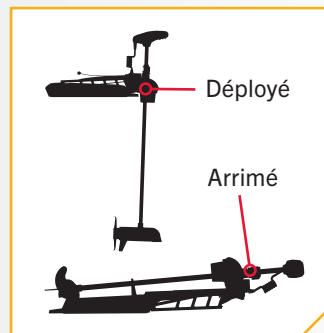
ARTICLE(S) REQUIS



#2 x 1

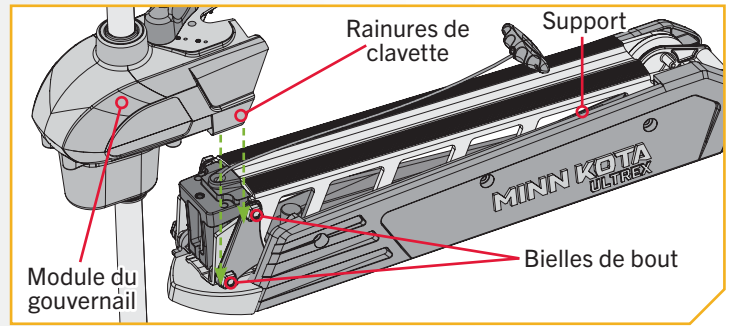
II #10 x 2

- Placez le support pour accessoire Ultrex (article no 2) sur une surface élevée et de niveau comme un établi ou le hayon d'une camionnette. Le support, une fois retiré de la boîte, doit être en position déployée.
- Une vis à six pans creux de 7,9 mm (5/16 po) est située sur le support. La vis se trouve à l'extrémité opposée du support de la charnière. La charnière permet au support de se ranger et de se déployer. Retirez la vis hexagonale 7,9 mm (5/16 po) avec une clé hexagonale de 1,4 mm (1/4 po). Conservez les deux vis 1/4-20 x 19,05 mm (3/4 po) (articles no 10) fixées au support avec la vis à six pans creux pour plus tard dans l'installation. Conservez la vis à six pans creux et la rondelle de blocage pour le réassemblage.



2

- c. Retirez l'assemblage de direction désinstallé de l'ancien support. Alignez les clavettes à l'intérieur du module de direction avec les maillons d'extrémité du support pour accessoire Ultrex. Faites-le en positionnant le module du gouvernail au-dessus des bielles de bout sur le support.
- d. Abaissez l'ensemble du moteur jusqu'à ce que le module du gouvernail soit assis.



AVERTISSEMENT

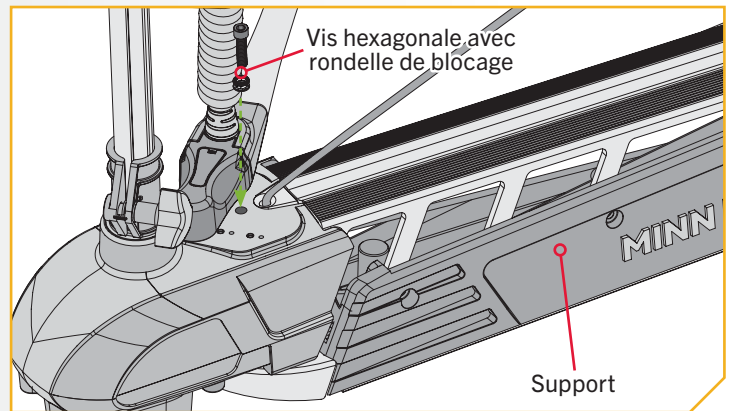
Délicatement, abaissez le module du gouvernail en place pour éviter de créer un point de pincement entre le module du gouvernail et le support.

AVIS : L'ensemble de direction qui a été retiré de l'ancien support contient la tête de commande, l'arbre, l'unité inférieure, le module de direction et la pédale.

3

- e. Reposez la vis hexagonale 5/16 po (7,94 mm) et la rondelle de blocage puis serrez entre 18 et 20 pi-lb (24,4 et 27,1 Nm) avec une clé de serrage.

AVIS : La vis hexagonale 5/16 po (7,94 mm) doit être serrée lors de l'installation et régulièrement serrée entre 18 et 20 pi-lb (24 et 27,1 Nm). Ceci permet d'arrimer correctement le moteur. Serrez la vis hexagonale lorsque le support est en position déployée.



› Sélection d'un emplacement de montage

Pour terminer l'installation du nouveau support, il ne sera possible d'installer le nouveau support que dans l'une des trois options :

1. Installation du support pour accessoire Ultrex sur le pont du bateau
2. Installation du support pour accessoire Ultrex sur le support à dégagement rapide MKA-42 ou MKA-52/62
3. Installation du support pour accessoire Ultrex sur le support à dégagement rapide MKA-23 ou RTA-19

Sélectionnez l'option de montage désirée et confirmez que l'emplacement sur le pont du bateau permet l'installation désirée. Utilisez l'option lorsque vous sélectionnez, marquez et percez l'emplacement de montage. Une fois les instructions d'emplacement de montage terminées, suivez les instructions d'installation ci-dessous pour l'option de montage appropriée.

Pendant l'installation, il est recommandé de monter le moteur au bateau avant d'installer le ressort à gaz. Le ressort à gaz est dans le cylindre du ressort à gaz. Le cylindre du ressort à gaz est situé à l'intérieur du bras extérieur. Le bras extérieur fait partie du support de montage. À ce stade de l'installation, le cylindre du ressort à gaz n'est pas complètement installé et peut se déplacer à l'intérieur du support lors de l'arrimage et le déploiement du moteur. Le cylindre du ressort à gaz peut s'endommager pendant le déploiement du moteur et le dommage empêchera le dispositif Lift-Assist de fonctionner correctement une fois complètement assemblé. Veillez à ce que le cylindre du ressort à gaz ne soit pas endommagé dans le support.

AVIS : Si le montage est effectué sur un support à dégagement rapide, vérifiez l'emplacement du nouveau support avec la plaque du support à dégagement rapide qui a été retiré de l'ancien support. Pour les moteurs installés sur un MKA-42 ou MKA-52/62, cette pièce est la plaque coulissante composée d'aluminium et peut être courte ou longue. Pour les montages précédemment installés sur un MKA-23 ou RTA-19, cette pièce est la plaque extérieure et est composite. La plaque composite peut être noire (pièce no 2371973) ou blanche (pièce no 2371972).

De plus, il peut être nécessaire de modifier l'emplacement de l'installation à partir de l'emplacement de montage d'origine du moteur de pêche à la traîne sur le pont du bateau. Minn Kota requiert l'utilisation des six trous de montage. Si un support à dégagement rapide est

utilisé, Minn Kota exige l'utilisation des six trous de montage pour installer le support sur le pont du bateau. Vérifiez l'emplacement du moteur de pêche à la traîne comme il doit être installé. Si le moteur de pêche à la traîne est installé avec un support à dégagement rapide, le support doit être utilisé pour confirmer l'emplacement du nouveau support. Consultez les instructions d'installation des supports à dégagement rapide pour plus d'informations. Si vous installez le moteur avec un MKA-23 ou un RTA-19, veuillez consulter les instructions d'installation 2374918. Si vous installez le moteur avec un MKA-42 ou un MKA 52/62, veuillez consulter les instructions d'installation 2374911. Pour obtenir des instructions d'installation complètes pour le support à dégagement rapide, veuillez visiter minnkotamotors.com.

AVIS : Si vous installez le nouveau support sur un support à dégagement rapide, vérifiez l'emplacement de la plaque installée sur le pont du bateau. Si la plaque extérieure ou inférieure fixée au pont du bateau doit être déplacée, veuillez consulter les instructions d'installation du support à dégagement rapide. Les instructions d'installation se trouvent en ligne sur minnkotamotors.com.

1

ARTICLE(S) REQUIS



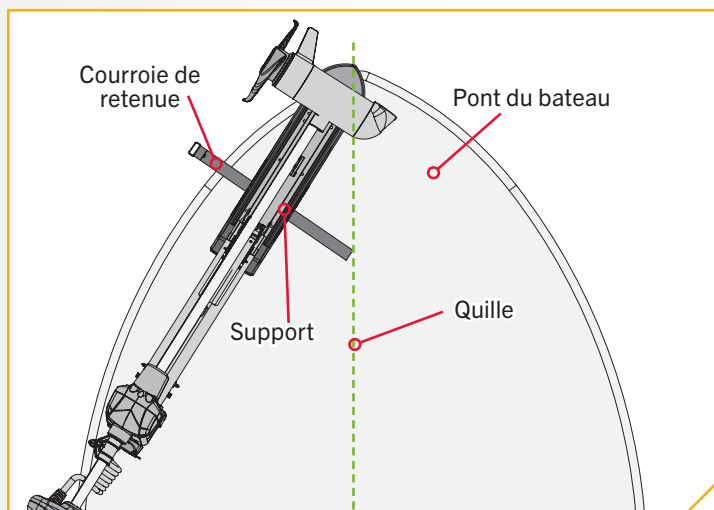
- a. Relisez les facteurs de montage au début de la section Installation pour savoir l'emplacement qui convient. Le moteur en position arrimée, placez le support aussi près que possible de l'axe central ou de la quille du bateau sur le pont du bateau. Vérifiez l'emplacement avec le moteur en positions arrimée et déployée.

ATTENTION

Le cylindre du ressort de gaz peut s'endommager dans le support pendant l'arrimage ou le déploiement du moteur, car il n'est pas complètement installé. Un dommage empêchera le dispositif Lift-Assist de fonctionner correctement une fois complètement assemblé. Veuillez à ce que le cylindre du ressort de gaz ne soit pas endommagé en le gardant à l'intérieur du bras extérieur du support.

- b. Placez la courroie de retenue (Article n° 12) sous l'extrusion de la base de manière à ce qu'elle soit placée sous le support. Si l'installation est effectuée avec un support à dégagement rapide, assurez-vous que la sangle de retenue est placée dans la rainure appropriée du support.

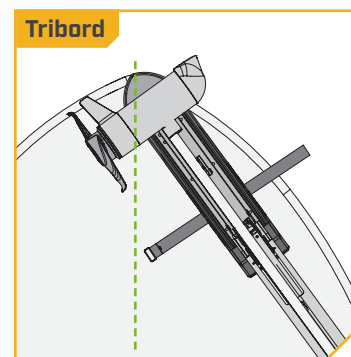
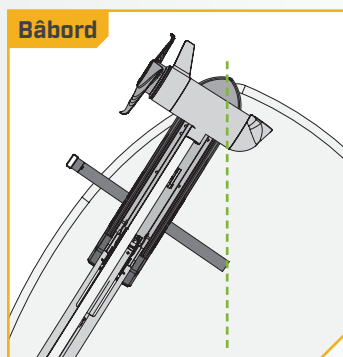
AVIS : Ce moteur pèse environ 55 lb (25 kg). Minn Kota recommande d'obtenir l'aide d'une deuxième personne pour l'installation.



AVIS : Vérifier que le moteur peut se ranger et se déployer correctement à l'emplacement de montage prévu. Le support devrait se verrouiller lorsqu'il est déployé. Un déploiement adéquat nécessite l'engagement de la poignée de traction et du câble lorsque le moteur est arrimé pour déverrouiller le support. Si le loquet du support ne s'engage pas lorsqu'il est déployé, il pourrait indiquer que le support n'est pas à plat sur le pont du bateau. Utilisez des rondelles en caoutchouc pour mettre le support de niveau sur le pont du bateau si le support ne se verrouille pas lorsqu'il est déployé.

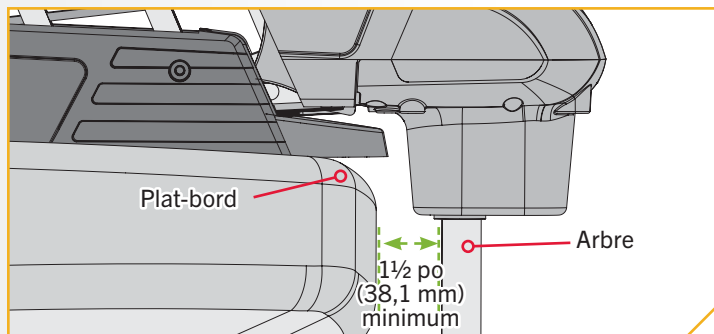
2

- c. Le support peut être installé soit sur le côté bâbord ou tribord du bateau selon la préférence personnelle. Faites un test de l'emplacement de la sangle de retenue pour s'assurer qu'elle peut retenir le support tel qu'installé. On peut placer la boucle sur la sangle de retenue soit en-bord ou hors-bord selon sa préférence personnelle. Le velcro sur la fixation doit être orienté vers le bas pour que la courroie de retenue fonctionne.

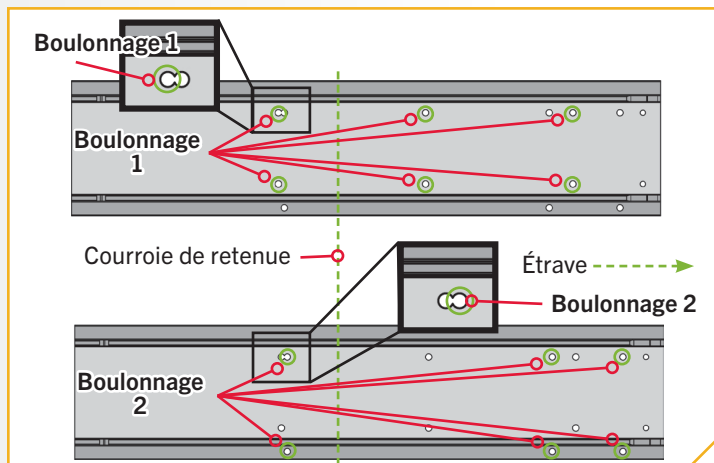


3

- d. Le moteur en position déployée, veillez à ce que l'arbre dépasse le plat-bord de 1½ po (3,8 cm). L'appareil inférieur ne doit pas rencontrer d'obstacles lorsqu'il est arrimé ou déployé.
- e. Vérifiez l'emplacement de la sangle de retenue lorsque le moteur est en positions arrimée et déployée et ajustez, si nécessaire.

**4**

- f. Une fois que le support est en position, déterminez quel boulonnage utiliser. Le boulonnage choisi dépendra de l'espace disponible sur le pont du bateau. Minn Kota requiert l'utilisation des six trous de montage.
- g. Marquez les six trous de montage. Percez le pont du bateau à l'aide d'un foret de 9/32 po (7,1 mm) aux endroits marqués.
- h. Veillez à ce que la sangle de retenue sous la base de la plaque du support repose bien entre le deuxième et le troisième jeu de boulons, conformément au modèle de montage choisi. Revérifiez qu'elle peut se refermer autour du support lorsqu'il est arrimé.
- i. Déplacez le moteur en position d'arrimage pour installer la quincaillerie une fois que la sangle de retenue est positionnée.



AVIS : Si le modèle 2 est utilisé, la plaque de droite doit être enlevée pour accéder aux trous de fixation de la base du support. Utilisez un tournevis n° 2 pour retirer la plaque latérale.

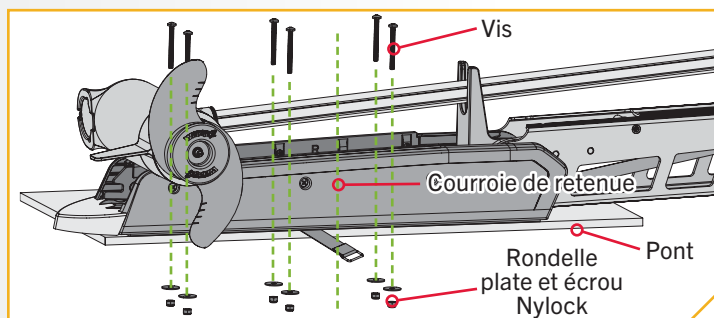
Installation du support pour accessoire Ultrax sur le pont du bateau

1

ARTICLE(S) REQUIS

○ #6 x 6 ● #8 x 6 | #4 x 6

- a. Confirmez l'emplacement de la sangle de retenue.
- b. Mettre une vis ¼-20 x 2½ po (0,635-20 x 63,5 mm) (article n° 4) dans chaque trou percé. La vis doit traverser l'extrusion de base et le pont du bateau.
- c. Placez une rondelle plate (article n° 8) puis un écrou Nylock (article n° 6) au bout de chaque vis comme illustré et fixez-les. Assurez-vous que toute la quincaillerie est bien fixée à l'aide d'un tournevis cruciforme n° 3 et d'une clé polygonale de 11,1 mm (7/16 po).



AVIS : Pour prévenir le grippage de la quincaillerie en acier inoxydable, n'utilisez pas d'outils haute vitesse pour l'installation. Le fait de mouiller les vis ou d'appliquer un produit antigrippant peut aider à prévenir qu'elles grippent.

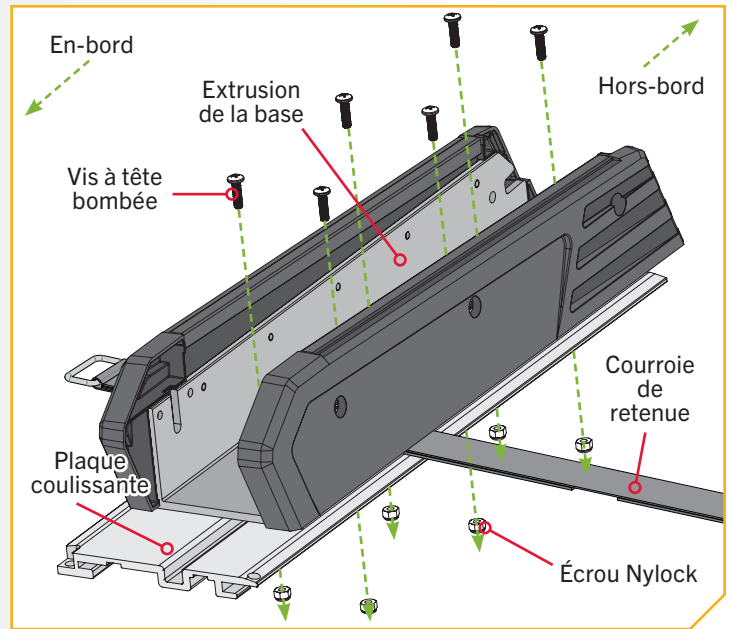
› Installation du support pour accessoire Ultrex sur le support à dégagement rapide MKA-42 ou MKA-52/62

1

- a. Prenez la plaque coulissante et alignez les trous de montage sur la plaque avec ceux de l'extrusion de la base. Les trous de montage les plus proches du bord court de la plaque devraient faire face hors-bord. Assurez-vous que la sangle de retenue est placée entre le support et la plaque coulissante.
- b. À l'aide d'un tournevis n° 3, fixez l'extrusion de la base à la plaque coulissante avec six vis à tête cylindrique bombée de 6,4 mm x 22,2 mm (1/4 po x 7/8 po) et six écrous Nylock. Les vis devraient passer à travers l'extrusion de la base et la plaque coulissante, puis être fixées par un écrou Nylock.

AVIS : Si de la nouvelle quincaillerie est nécessaire pour installer le kit de montage sur le support à dégagement rapide MKA-42 ou MKA-52/62, Minn Kota recommande d'acheter l'assemblage de sac (pièce no 2994829) en ligne à minnkotamotors.com.

AVIS : Pour prévenir le grippage de la quincaillerie en acier inoxydable, n'utilisez pas d'outils haute vitesse pour l'installation. Le fait de mouiller les vis ou d'appliquer un produit antigrippant peut aider à prévenir qu'elles grippent.



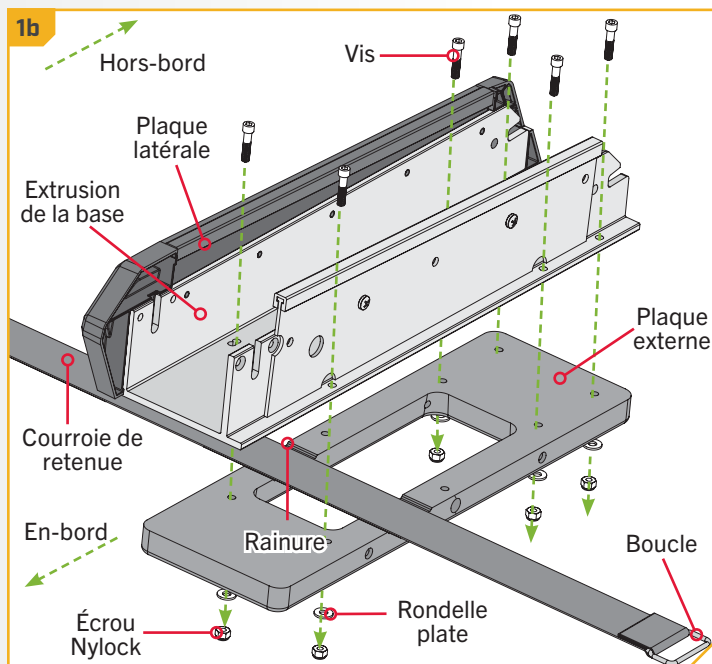
Installation du support pour accessoire Ultrex sur le support à dégagement rapide MKA-23 ou RTA-19

1

- a. Aligned l'extrusion de la base avec les trous de montage de la plaque externe. Placez la sangle de retenue entre l'extrusion de la base et la plaque extérieure. La sangle doit se trouver dans la découpe en relief sur la plaque extérieure afin d'éviter une défaillance du support à dégagement rapide.
- b. Utilisez six vis à tête cylindrique à six pans creux de 6,4 mm x 28,6 mm (1/4 po x 1 1/8 po), six rondelles plates et six écrous Nylock pour fixer le support de montage du moteur à la plaque externe. Les vis devraient passer à travers l'extrusion de la base, la plaque externe et ensuite les rondelles plates, et être fixées avec des écrous Nylock. Fixez avec une clé à douille et une clé polygonale de 11,1 mm (7/16 po).
- c. Si la plaque latérale droite a été retirée, réinstallez-la avec un tournevis n° 2.

AVIS : Pour prévenir le grippage de la quincaillerie en acier inoxydable, n'utilisez pas d'outils haute vitesse pour l'installation. Le fait de mouiller les vis ou d'appliquer un produit antigrippant peut aider à prévenir qu'elles grippent.

AVIS : Si de la nouvelle quincaillerie est nécessaire pour installer le kit de montage sur le support à dégagement rapide MKA-23 ou RTA-19, Minn Kota recommande d'acheter l'assemblage de sac (pièce no 2994854) en ligne à minnkotamotors.com.



AVIS : Selon le modèle de boulon utilisé pour installer le support Ultrex sur la plaque extérieure du support à dégagement rapide, la plaque latérale droite peut devoir être retirée pour accéder aux trous de montage à la base du support. Utilisez un tournevis n° 2 pour retirer la plaque latérale droite si nécessaire.

› Installer le ressort à gaz

1

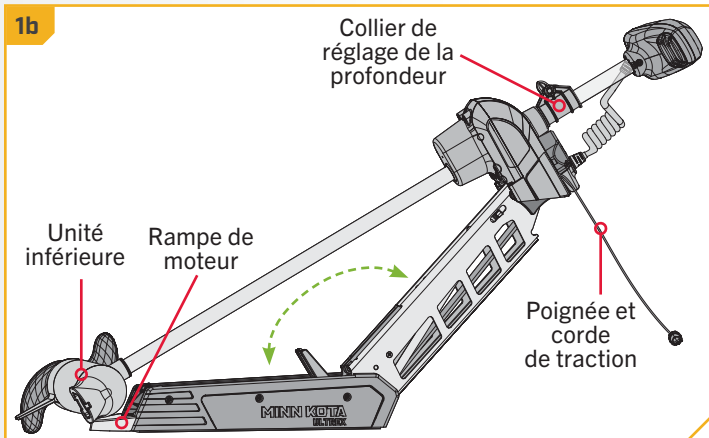
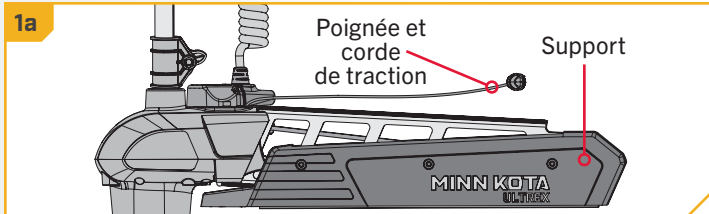
- Utilisez la poignée de traction et le câble pour dégager la barre de verrouillage sur le support.
- À l'aide d'une deuxième personne, desserrez le collier de réglage de la profondeur et positionnez le moteur à mi-chemin entre les positions arrimée et déployée de sorte que l'unité inférieure repose sur la rampe du moteur.

AVERTISSEMENT

Les pièces mobiles peuvent couper ou écraser. Le mécanisme de remontage au gaz est sous pression. Vous devez déconnecter le ressort à gaz avant de retirer le moteur du support. Ne pas engager la poignée et la corde de traction tant que le ressort à gaz est déconnecté.

AVERTISSEMENT

Le mécanisme de remontage au gaz dans l'unité est sous haute pression lorsque le moteur est en position déployée. Ne retirez pas l'ensemble de module de direction du support sans déconnecter une des extrémités du ressort à gaz. Le défaut de suivre cette consigne peut former une condition où une traction accidentelle de la poignée et corde de traction pourrait entraîner l'ouverture soudaine du ressort, frappant toute personne ou chose sur son chemin.



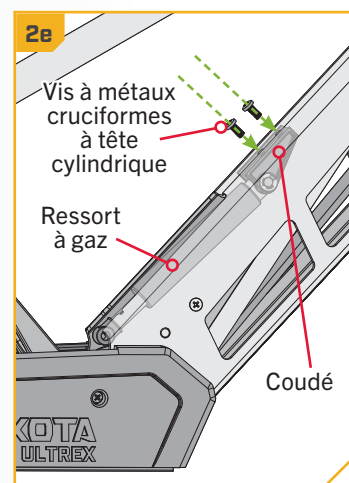
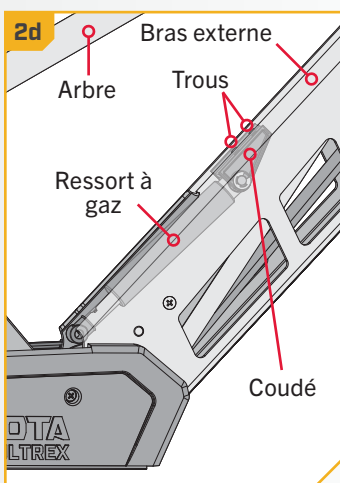
2

ARTICLE(S) REQUIS



#10 x 2

- Le ressort à gaz est situé à l'intérieur du bras extérieur. Une fois le moteur correctement positionné, le ressort à gaz peut être fixé en place.
- Un support desserré se trouve à l'extrémité du ressort à gaz avec des trous et des écrous Nylock encastrés. Alignez le support avec les trous du bras extérieur, qui devraient être sous l'arbre. Ajustez le moteur, au besoin, pour aligner le support avec les trous du bras extérieur.
- Prenez deux vis cruciformes à tête cylindrique (article 10) et installez-les dans les trous du bras extérieur et dans le support à l'extrémité du ressort à gaz à l'aide d'un tournevis n° 3. Serrez à un couple de 35 po-lb (1,4 Nm).



› Ajustement de la poignée et de la corde de traction

Il est possible d'ajuster la longueur de la poignée et corde de traction selon ses propres préférences. Avant de commencer l'ajustement, il faut libérer le ressort à gaz et déposer le module du gouvernail. Veuillez vous référer à la section Dépose du moteur du gouvernail et suivre la procédure pour déconnecter le gaz ainsi que déposer le moteur du support. Il est important de retirer le gaz et le module du gouvernail afin d'accéder au câble et à la quincaillerie associée pour faire les ajustements.

1

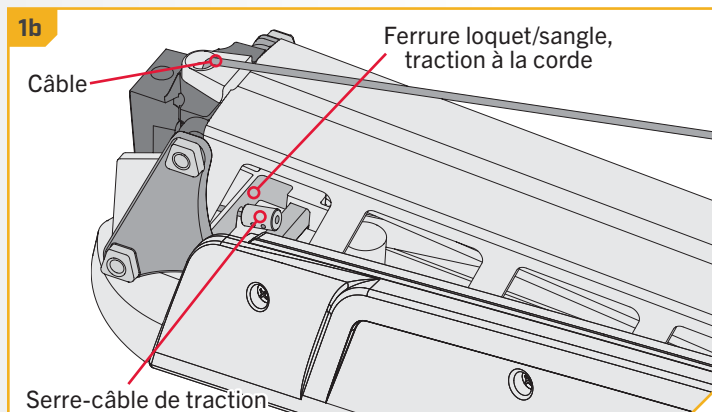
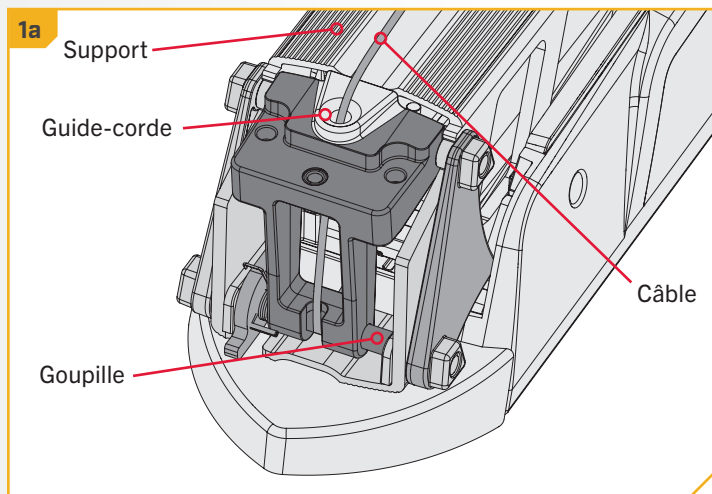
AVERTISSEMENT

Veillez consulter la section Dépose du module du gouvernail dans cette section et suivre la procédure pour déconnecter le ressort à gaz ainsi que déposer le moteur du support. Il est important de retirer module du gouvernail et le ressort à gaz afin d'accéder au câble et à la quincaillerie associée pour faire les ajustements. Le défaut d'exécuter ces étapes indispensables empêchera la possibilité de faire des ajustements et comporte un risque de blessure.

- a. Lorsque le ressort à gaz est déconnecté et que le module du gouvernail est déposé, vérifiez que le support est en position déployée.

AVIS : observez l'acheminement de la corde dans le guide de la corde, autour de la goupille puis dans la ferrure du loquet/sangle de traction.

- b. Repérez l'extrémité de la corde et le serre-câble de traction à l'intérieur du bras en aluminium du support.

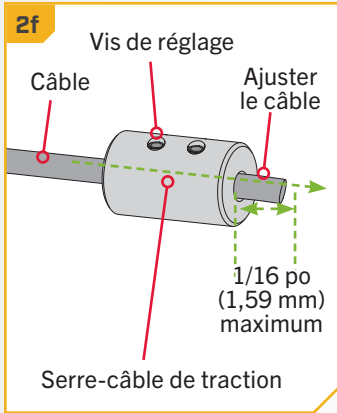
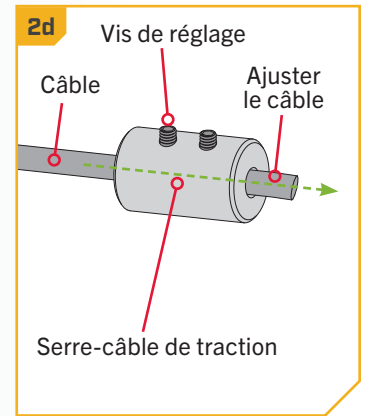
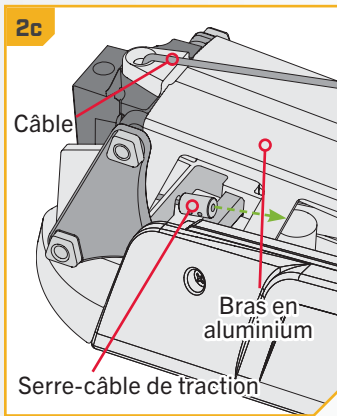


2

- c. Saisissez le serre-câble de traction et le câble et le sortir du bras en aluminium.
- d. Le serre-câble de traction contient deux vis de réglage. Desserrez, sans enlever, ces deux vis avec une clé hexagonale 5/64 (1,98 mm) jusqu'à ce que le câble glisse dans le serre-câble de traction.
- e. Ajustez le câble à la longueur voulue.
- f. Resserrez les deux vis de réglage à l'aide d'une clé 5/64 (1,98 mm). Serrez les vis de réglage à 16 à 19 po-lb (1,8 à 2,1 Nm). Assurez-vous que les vis de réglage sont bien appuyées contre le câble dans le serre-câble de traction. Les vis de réglage doivent appliquer une tension suffisante sur le câble pour le garder dans le serre-câble de traction pendant le fonctionnement normal. Lorsque les deux vis de réglage sont bien serrées, elles doivent être légèrement encastrées sous la surface du serre-câble de traction.

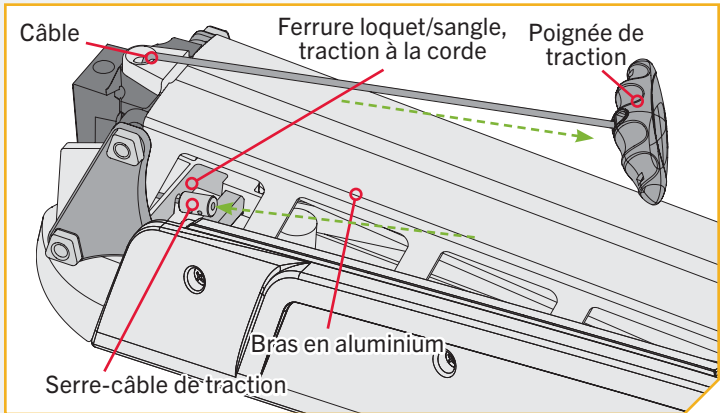
AVIS : Assurez-vous que les deux vis de réglage sont bien serrées. Lorsqu'elles sont bien serrées, les deux vis de réglage doivent être encastrées légèrement sous le serre-câble de traction pour maintenir la tension sur le câble dans le serre-câble de traction pendant le fonctionnement normal.

- g. À l'aide d'une scie à métaux, coupez le câble afin qu'il n'y ait pas plus de 1/16 po (1,59 mm) qui dépasse après le serre-câble de traction.



3

- h. Une fois que la longueur du câble est coupée, prenez la poignée de traction et tirez sur le câble pour le mettre en place jusqu'à ce qu'il repose contre la ferrure du loquet de la sangle du câble de traction.
- i. Une fois le câble en place, lisez la section « Dépose du module du gouvernail » de ces instructions et suivez la procédure pour « Remonter le module du gouvernail ».



Pour obtenir des renseignements sur la garantie, visiter minnkotamotors.com.



minnkotamotors.com



Part #2297172

Minn Kota Consumer & Technical Service
Johnson Outdoors Marine Electronics, Inc.
PO Box 8129
Mankato, MN 56001

121 Power Drive
Mankato, MN 56001
Phone (800) 227-6433
Fax (800) 527-4464



©2022 Johnson Outdoors Marine Electronics, Inc.
All rights reserved.

ECN 42522

Rev A

07/22