



**MAGMA**<sup>®</sup>  
*In your element*

*Crossover Series*  
**MARINE**

[magmaproducts.com](http://magmaproducts.com)

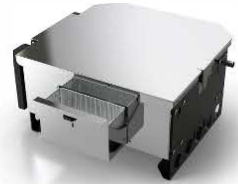


MODULAR COOK SYSTEM

# SINGLE FIREBOX

Build your perfect marine cooking experience.

CO10-101-M



## MATERIALS

- ◆ Non corrosive, 304 mirror polished marine grade stainless steel holds up in wet conditions
- ◆ Durable, heat-resistant thermoplastic handle and controls
- ◆ Easy-to-clean, removable stainless steel cooking grate

## EFFICIENCY

- ◆ 15,000 BTU high-efficiency burners produce an ultra-clean blue flame
- ◆ Built-in wind deflector protects the flame in windy conditions

## FEATURES

- ◆ Fold-out food preparation shelves with 25-pound weight rating lock in place and has reinforced support
- ◆ Removable shelf inserts with integrated channels to control juices are FDA approved and dishwasher safe
- ◆ Quick-release gas connector
- ◆ Accepts a 1-pound cylinder, 20-pound tank or hooks directly to an RV or boat gas line
- ◆ Attachable molded plastic platform holds a 1-pound gas cylinder at a 35-degree angle for optimal gas flow

## CONTROLS

- ◆ Piezo ignition for a single-click, easy start and never needs batteries changed
- ◆ Unique single starter/control knob has beveled base to prevent damage if bumped
- ◆ Ventilation on front panel provides airflow to keep controls cool
- ◆ Burner access holes allow view of lit burner and the ability to light burner manually

## DIMENSIONS

**Shelves Closed:**  
24.6 x 18.67 x 9 in.  
62.48 x 47.42 x 22.86 cm

**Shelves Open:**  
40.25 x 18.67 x 9.45 in.  
102.23 x 47.42 x 24 cm

**Weight:**  
28 lbs./12.70 kg

**MAGMA**  
*In your element*





# GRILLTOP

CO10-103-M



## MATERIALS

- ◆ Non corrosive, 304 mirror polished marine grade stainless steel holds up in wet conditions
- ◆ Cast aluminum base prevents heat distortion to maintain a perfect fit with the FireBox
- ◆ Durable, heat-resistant thermoplastic handle

## FEATURES

- ◆ GrillTop heats-up quickly and reaches temperatures of up to 700 degree
- ◆ Innovative diffuser under cooking surface provides even heat for entire grill
- ◆ Diffuser plate funnels grease away from the burner to maintain temperature and control smoke
- ◆ Integrated thermometer on the lid
- ◆ Easy to set up, Simply position on top of the FireBox and the special integrated channel sets the GrillTop securely in place
- ◆ Easy to Transport, Convenient front handle and closure latch make the Grill Top easy to secure and transport

## DIMENSIONS

Size:  
17.76 x 16.26 x 9.02 in. / 45.1 x 41.3 x 22.9

Lower Cooking Surface:  
14 x 14 in. / 35.56 x 35.56 cm

Warming Rack:  
15.5 x 4.2 in. / 39.37 x 10.66 cm

Weight:  
20 lbs. / 9.07 kg



**MAGMA**<sup>®</sup>  
*In your element*





## MATERIALS

- ◆ Non corrosive, 304 mirror polished marine grade stainless steel holds up in wet conditions
- ◆ Cast aluminum base prevents heat distortion to maintain a perfect fit with the FireBox
- ◆ Durable, heat-resistant thermoplastic handle

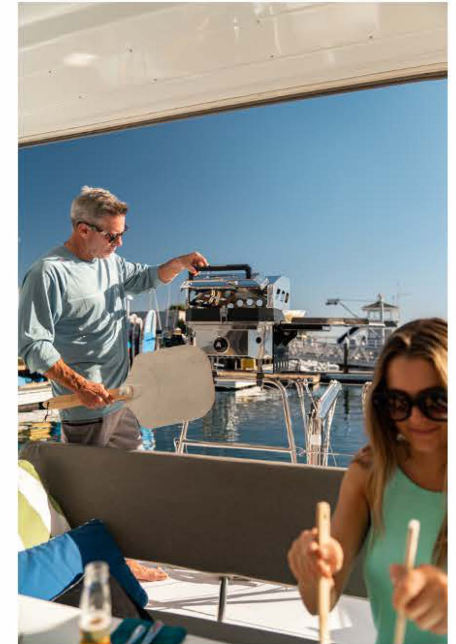


# PIZZA OVENTOP

CO10-105-M

## FEATURES

- ◆ Pizza OvenTop heats-up quickly and reaches temperatures of up to 700 degrees
- ◆ Curved inner liner circulates heat and maintains temperature for even cooking of crust and toppings
- ◆ Airflow opening on the sides and back help prevent overheating
- ◆ 1/2 inch thick removable pizza stone accommodates a 12" pizza  
Integrated temperature gauge
- ◆ Double-wall door with window allows front of oven to stay cooler



## DIMENSIONS

**Size:**  
17.91 x 16.14 x 9.02 in. / 45.5 x 41 x 22.9 cm

**Cooking Surface:**  
14 x 14 in. / 35.56 x 35.56 cm

**Door Opening:**  
14.25 x 3.5 in. / 36.19 x 8.89 cm

**Weight:**  
25 lbs. / 11.33 kg

**MAGMA**<sup>®</sup>  
*In your element*





# GRIDDLETOP

CO10-104



## MATERIALS

- ◆ Non-corrosive, cast aluminum with non-stick surface
- ◆ Cast aluminum base prevents heat distortion to maintain a perfect fit with the FireBox
- ◆ Airflow openings under cooking surface help prevent overheating

## FEATURES

- ◆ Elevated griddle surround design keeps food and grease splatter contained
- ◆ Innovative diffuser plate under cooking surface provides even heat for entire griddle
- ◆ Airflow openings under cooking surface help prevent overheating



## DIMENSIONS

### Size:

17.68 x 15.94 x 4.72 in. / 44.9 x 40.5 x 12 cm

### Cooking Surface:

14 x 14 in. / 35.56 x 35.56 cm

### Weight:

15 lbs. / 6.8 kg

**MAGMA**<sup>®</sup>  
*In your element*





MAGMA



## CASES

### MATERIALS

- ◆ Constructed of heavy duty nylon

### FEATURES

- ◆ Padded storage and carry case designed to keep your Crossover products protected when not in use
- ◆ Includes reinforced stitching, heavy duty zippers, convenient carrying handles, and shoulder strap.



## COVERS

### MATERIALS

- ◆ Constructed of solution dyed acrylic

### FEATURES

- ◆ Protects the Firebox from the elements when not in use.
- ◆ Cover material resists damage from sunlight and mildew



- CO10-191 Single Burner Firebox Cover
- CO10-295 Single Burner Firebox Padded Storage Case
- CO10-291 Grill/Pizza Oven Padded Storage Case
- CO10-293 Griddle Padded Storage Case

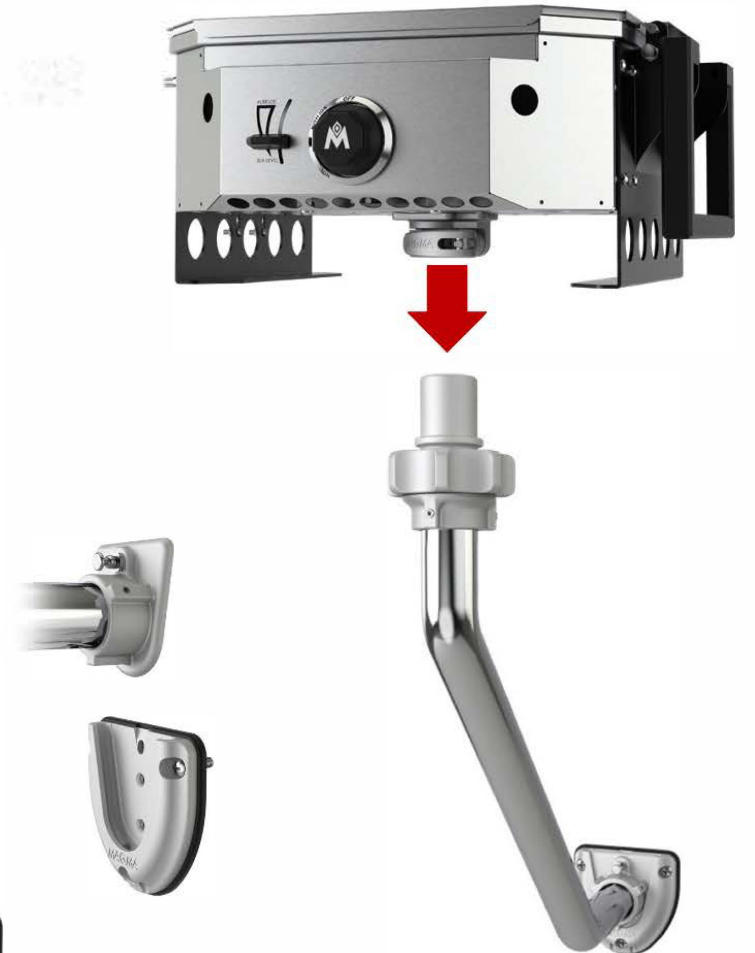
# SURFACE SLIDE MOUNT

T10-345



## FEATURES

- ◆ Cast aluminum and stainless steel tubing
- ◆ Built in leveler allows 20 degree adjustment on uneven terrain
- ◆ Quick release clamp to rotate and secure grill
- ◆ Quick release pin to remove tubing assembly from the receiver plate



**MAGMA**<sup>®</sup>  
*In your element*

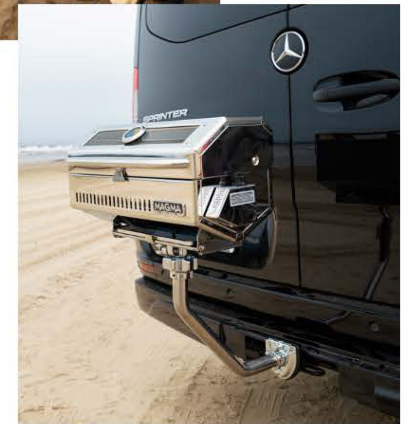
# HITCH SLIDE MOUNT

T10-343



## FEATURES

- ◆ Cast aluminum and stainless steel tubing
- ◆ Built in leveler allows 20 degree adjustment on uneven terrain
- ◆ Quick release clamp to rotate and secure grill
- ◆ Quick release pin to remove tubing assembly from the receiver plate
- ◆ Threaded pin to lock and stabilize hitch in place



**MAGMA**<sup>®</sup>  
*In your element*

# QUAD POD STAND

T10-348



## FEATURES

- ◆ Cast aluminum and aluminum tubing
- ◆ Quick release clamp to rotate and secure grill
- ◆ Adjustable feet to level your grill on any terrain

**MAGMA**<sup>®</sup>  
*In your element*