



As wind shifts, water conditions change or passengers move about, the Automatic Leveling Control (ALC) will automatically adjust your trim tabs to maintain a level boat for a more comfortable and enjoyable ride.

The ALC automatically corrects the roll from side to side and pitch from fore to aft to enhance your boating experience and improve your fuel economy.

## FEATURES

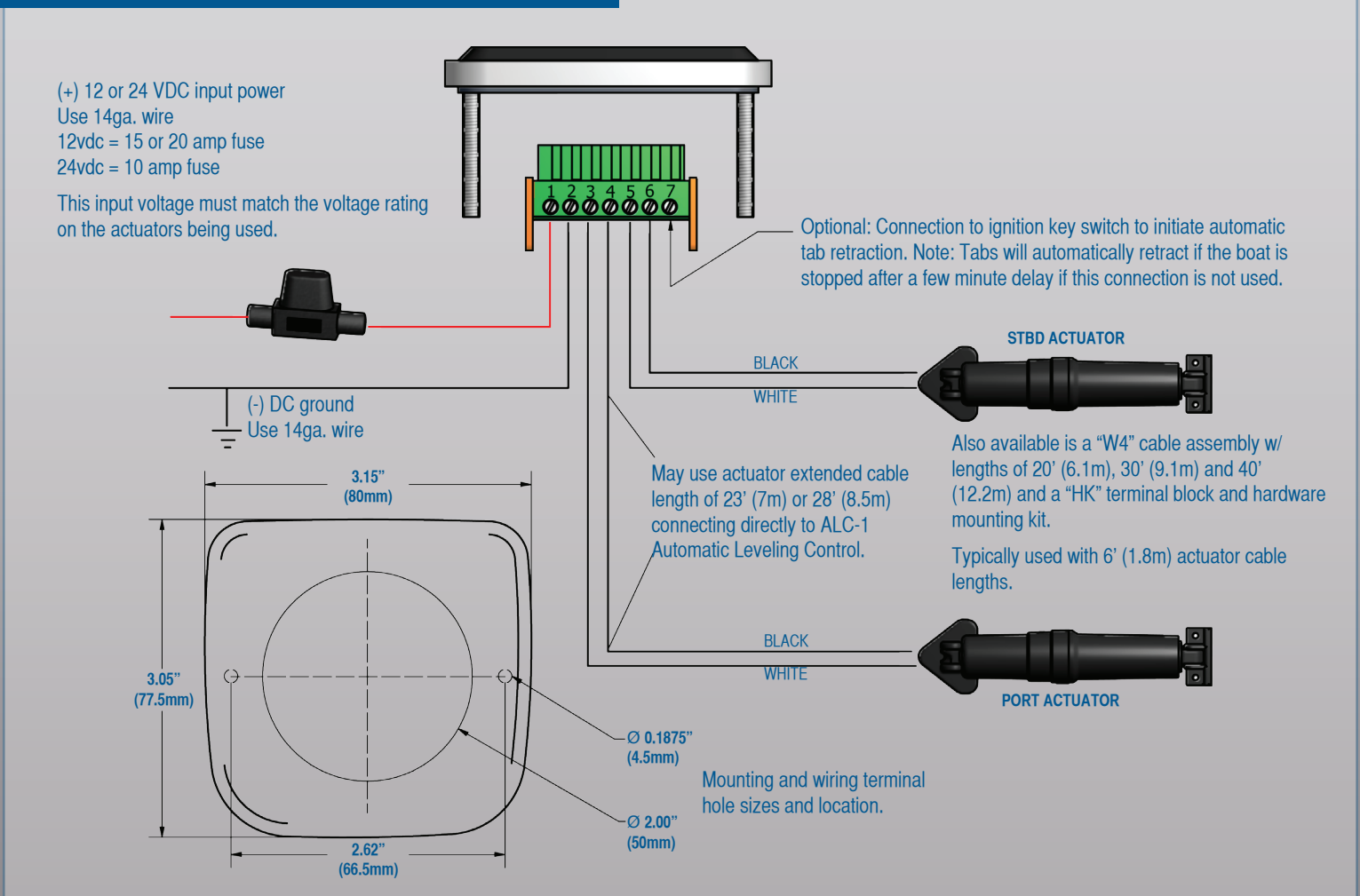
- Microprocessor based automatic leveling trim tab control with LED tab position indicators
- Controls roll and pitch automatically
- Internal GPS - no GPS antenna or network required
- Automatically adapts to varying sea conditions
- Completely sealed and waterproof (IP68)
- UV protected - will not deteriorate in sunlight
- Prevents automatic corrections while turning
- Designed for planing and semi displacement hulls larger than 20ft
- Actuators connect directly to ALC-1 display panel (no external power module box required)
- Automatically dims LED tab position indicators in darkness and brightens in sunlight
- Automatically retracts trim tabs when boat is off plane or using optional key switch connection
- Dual station operation available (ALC-1D and ALC-2D does require external power module)
- Operates on 10 to 30 Volts DC
- 2 Year Warranty
- CE Approved (Compliance with EMC regulations)

## SPECIFICATIONS

Model Number	Display Color	Number of Stations	Actuators per tab plate	Overall Width	Overall Height/ Thickness	Mounting Hole Cutout (Diameter)	DC Voltage	Fuse Size Power Input (1 Actuator per Tab)	Fuse Size Power Input (2 Actuators per Tab)
ALC-1	Black	1	1	3.15"/ 80mm	3.0"(77mm)/ 0.437"(11mm)	2"/50mm	12/24	12vdc = 15 amp 24vdc = 10amp	N/A
ALC-2D	Black	1 or 2	2	3.15"/ 80mm	3.0"(77mm)/ 0.437"(11mm)	2"/50mm	12/24	N/A	12vdc = 30amp 24vdc = 20amp
ALC-1D	Black	1 or 2	1	3.15"/ 80mm	3.0"(77mm)/ 0.437"(11mm)	2"/50mm	12/24	12vdc = 15 amp 24vdc = 10amp	N/A

**Note: Second station keypad (ALC-2S) not included in ALC-2D and ALC-1D models.**

## AUTO LEVELING CONTROL WIRING ALC-1



## AUTO LEVELING CONTROL (ALC) PROGRAMMING

Function	Program Mode Sequence			Store Memory
	Enter	Button Hold	Adjustment	
Calibration	BOW UP + BOW DOWN	12s	Begin calibration	N/A
Attitude Set	N/A	N/A	Adjust tabs to best attitude	Press AUTO 4s
Gain Adjust	RIGHT + LEFT	4s	BOW UP + BOW DOWN	RIGHT + LEFT 4s

## ADDITIONAL OPERATION FEATURES

- Press AUTO to enter automatic leveling
- Press AUTO mode again to enter manual mode so tabs may be adjusted manually
- The ALC incorporates an "Adaptive system" to maintain optimum running attitude in varying sea conditions
- Reducing speeds below planing speed the ALC will not attempt to control attitude
- The ALC automatically starts correcting attitude during acceleration