




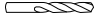




Parts List	
	Bezel
	QTY:3 No6 x 13mm (1/2") self tapping screw

Tools Required	
	Pozi Screwdriver
	1.6mm (1/16") drill bit
	Power Drill
	10mm (3/8") drill bit

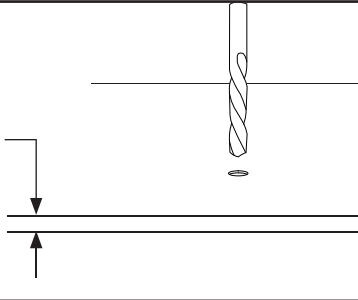
Technical Information - SC-CW-02F	
Input voltage range	10-30V DC (12 /24V system)
Input current max	2A
Output power	10W (9V, 1.1A)
Standby power draw	< 0.2W
Waterproof rating	IPX6 front and back
Certifications	Qi, CE, UKCA, FCC, ROHS, UNECE R10 E24, RCM, IC, PSE

Parts NOT Included	
	SC-CW-02F charger
	Alcohol Wipe

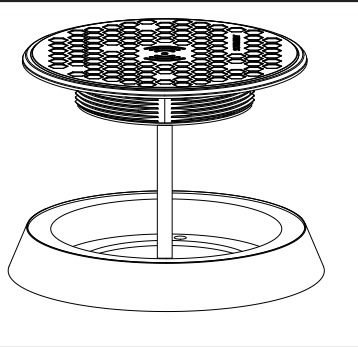
  **READ THE IMPORTANT SAFETY INFORMATION LEAFLET BEFORE INSTALLING**

① Drill hole 10mm (25/64").

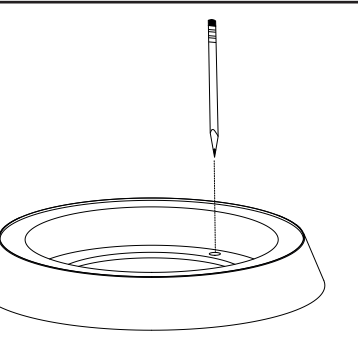
Panel thickness > 3mm (0.1")



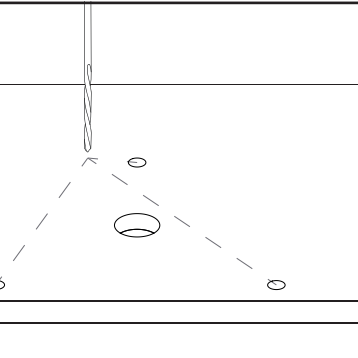
② Place charger and bezel over hole to mark screw centres. ****Caution**** Do not remove self adhesive backing from tape, dry fit only.



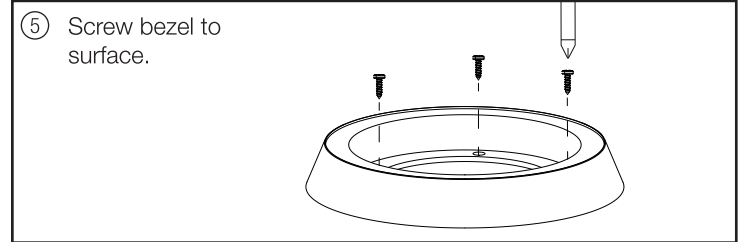
③ Remove and mark hole centres in bezel.



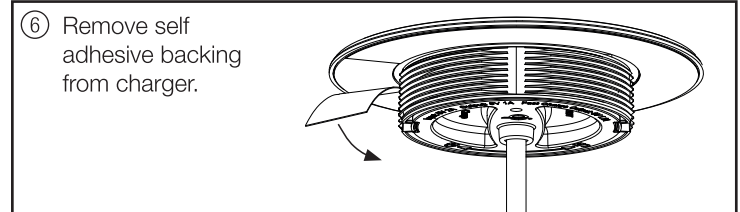
④ Drill 3x 1.6mm (1/16") pilot holes.



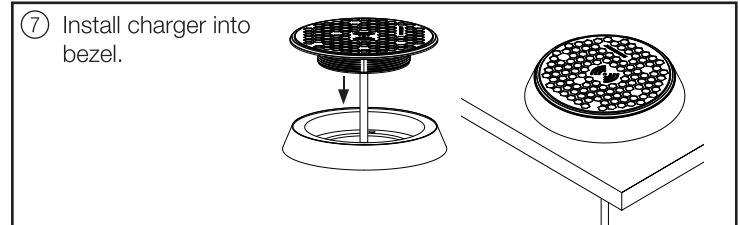
⑤ Screw bezel to surface.



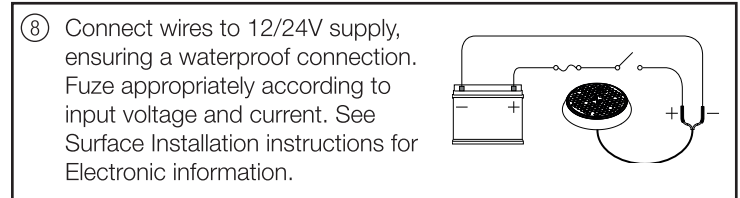
⑥ Remove self adhesive backing from charger.



⑦ Install charger into bezel.



⑧ Connect wires to 12/24V supply, ensuring a waterproof connection. Fuse appropriately according to input voltage and current. See Surface Installation instructions for Electronic information.



Share your installation with us.

    
@scanstrut

UK & International
+44 (0)1392531280
sales@scanstrut.com

For further installation
and warranty information
please visit:
www.scanstrut.com

USA
+1 860 308 1416
usasales@scanstrut.com

SCANSTRUT