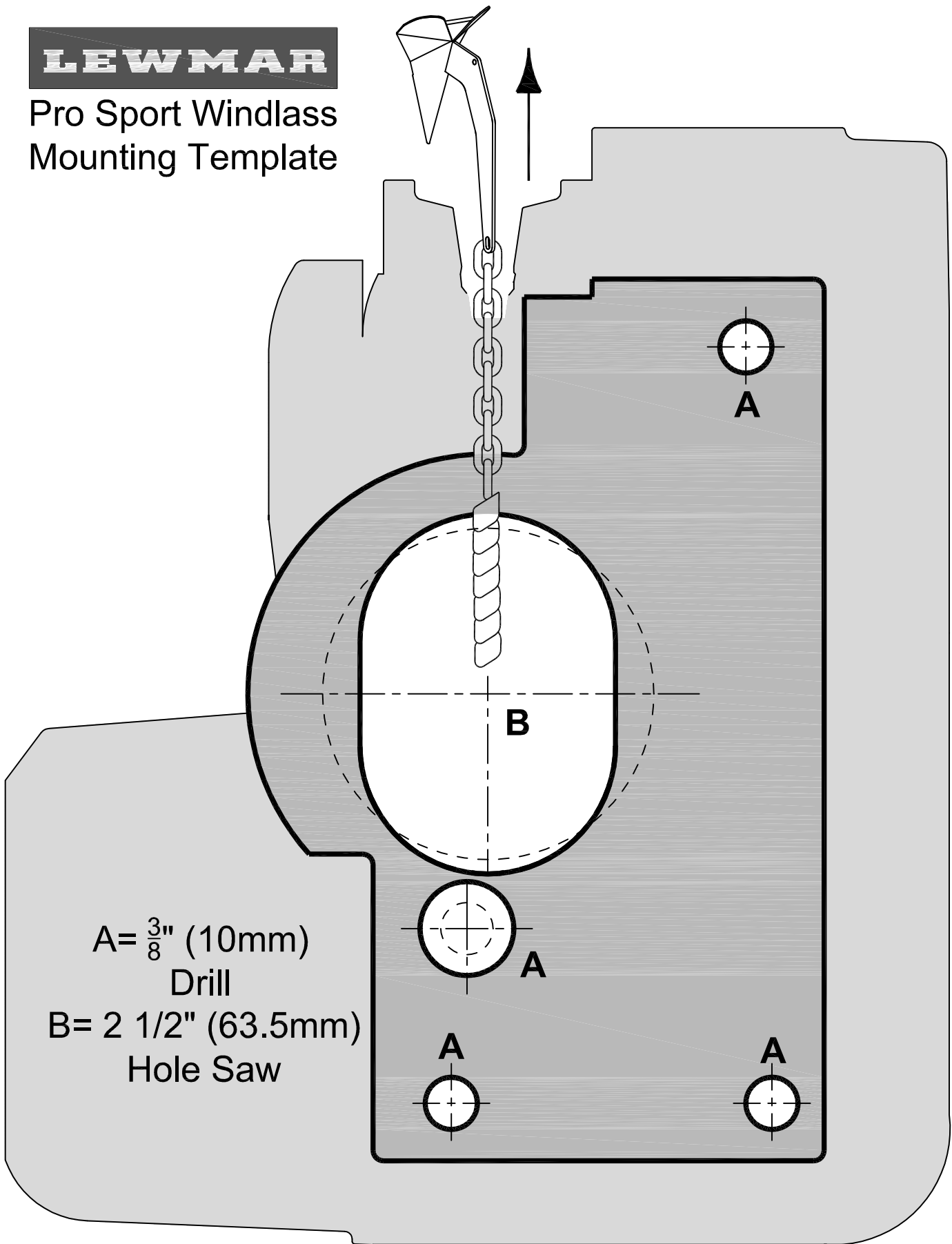


LEWMAR

Pro Sport Windlass Mounting Template

277mm



A = $\frac{3}{8}$ " (10mm)
Drill
B = 2 1/2" (63.5mm)
Hole Saw

Windlass
Outline

Base
Mat

190mm

Part Number 65001226 Rev B

