



## XPLORE 120/12 CHARGER DATASHEET



AVAILABLE IN:  
12V   
**120A**

### ALL CHARGING NEEDS IN ONE CHARGER

The XPLORE 120/12 battery charger is the largest and most powerful charger in the market today. The universal, auto-ranging AC input and 120 amps of output current ensures ultra-fast and reliable worldwide charging. With up to six output banks of simultaneous charging combined with the ability to charge two battery banks with differing chemistries, the XPLORE 120/12 eliminates the need to have separate single-chemistry chargers and minimizes installation and wiring costs for your house bank and engine bank.

It is also equipped with an easy-to-read front panel LED display for basic configuration and status information. Advanced monitoring and configuration is enabled by NMEA 2000 protocol or Xantrex app using the Xantrex BLE module.



Six Battery Bank Charging



Ability to charge dead batteries down to 0V



Dual Battery Chemistry Charging



NMEA 2000 Monitoring and Configuration



Designed to Charge Lithium Batteries



Xantrex App Monitoring and Configuration

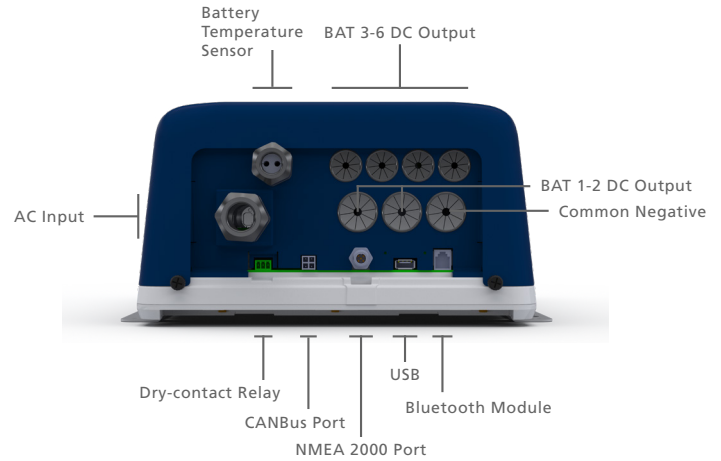
#### APPLICATIONS:



[www.xantrex.com](http://www.xantrex.com)  
CUSTOMER CARE: 1.800.670.0707



TOP VIEW



BOTTOM VIEW

## PRODUCT FEATURES

### 6 Battery Banks and Dual-Chemistry Charging

- Simplifies system design by replacing multiple single-chemistry chargers with a single dual-chemistry charger to charge house banks and engine banks of differing chemistries.

### Xantrex Lithium and Custom Battery Charging

- Selectable battery type pre-set optimized for Xantrex Lithium batteries or configure a custom battery setting.

### NMEA 2000 Connectivity

- Allows for real-time monitoring and configuration via multi-functional displays by leading marine multiplex manufacturers.

### Xantrex App Connectivity

- Allows for real-time monitoring and configuration via the Xantrex mobile app using the Xantrex BLE module.

### Power Share

- Automatically reduces charging output to prevent nuisance tripping of the AC input breaker.

### Quiet Mode

- When enabled, the internal fan is turned off and the charger operates at a reduced output when quietness is needed.

### Storage Mode

- Automatically refreshes your batteries once every several days of non-use to ensure optimal battery condition.

## PAIR WITH XANTREX LITHIUM BATTERIES

OPTIMALLY CHARGED WITH THE XPLORE 120/12



105Ah 12V XANTREX  
LITHIUM ION BATTERY  
883-0105-12



125Ah 12V XANTREX  
LITHIUM ION BATTERY  
883-0125-12



240Ah 12V XANTREX  
LITHIUM ION BATTERY  
883-0240-12

## ELECTRICAL SPECIFICATIONS

| XPLORE 120/12                      |   |
|------------------------------------|---|
| Max Total BAT1-6 DC Output Current | 120A  |
| Max Total BAT1-2 DC Output Current | 5 to 120A (selectable)  |
| Max Total BAT3-6 DC Output Current | 5 to 40A (selectable)   |
| DC Output Voltage                  | 12Vdc (nominal)   |
| DC Output Connections              | 6   |
| AC Input Voltage (Auto Ranging)    | 120Vac / 230Vac (nominal), 80 to 265 Vac<br>60Hz / 50Hz (nominal), 45 to 65Hz |
| Power Factor at Full Charge Rate   | > 98%   |
| Charging Modes                     | 3-Stage, 2-Stage, Constant Voltage  |
| Supported Battery Types            | AGM, FLD, GEL, Xantrex LFP, Custom  |
| Equalization (FLD Battery Only)    | Yes   |

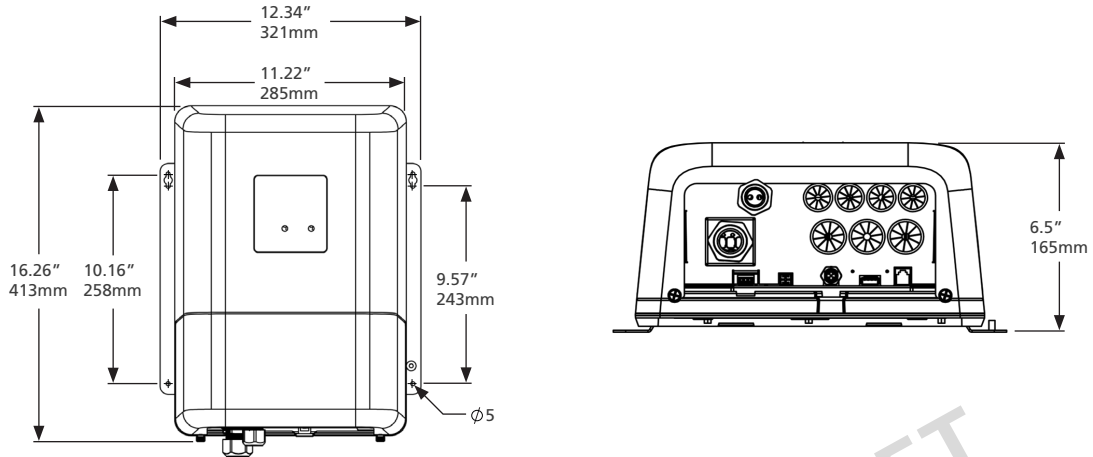
## GENERAL SPECIFICATIONS

| XPLORE 120/12                  |   |
|--------------------------------|---|
| Operating Temperature          | 4 to 140°F (-20 to 60°C), with output derated above 122°F (50°C)  |
| Storage Temperature            | -40 to 176°F (-40 to 80°C)  |
| Operating Humidity             | 5 to 95% RH, non-condensing   |
| AC Input Terminal Connection   | 3-position tool-free spring clamp terminal  |
| DC Output Terminal Connection  | BAT1-2: Two M6 stud terminals<br>BAT3-6: Four M5 stud terminals<br>Negative: One M6 stud terminal   |
| Part Number                    | 819-0120-12   |
| L x W x H                      | Charger: 16.26" (413mm) x 12.34" (312mm) x 6.5" (165mm)<br>Xantrex BLE Module: 3.0" (75mm) x 2.0" (50mm) x 1.0" (24mm)<br>12' (3.7m) cable length |
| Net Weight                     | Charger: 13 lbs (5.9kg)   |
| Ingress Protection (IP) Rating | Charger: IP-32 (vertical)   |

## REGULATORY APPROVALS

| XPLORE 120/12       |  |
|---------------------|--|
| Safety              | ETL listed to CSA C22.2 No. 107.2, conforms to UL Std. UL1236 (with Marine Supplement) and UL1564, ABYC E-11, A-31 |
| EMC                 | 47 CFR (FCC) Part 15B, Class B and CAN ICES-3(B) / NMB-3(B)  |
| Ignition Protection | SAE J1171, ABYC C-1500   |

**XPLORE 120/12 CHARGER DIMENSIONS**



**ACCESSORIES**

| Mfg Part #  | Description                      |
|-------------|----------------------------------|
| 808-0232-01 | BTS (battery temperature sensor) |

NOTE: Contact Xantrex or your dealer to order these accessories.

PRELIMINARY DATASHEET  
SPECS SUBJECT TO CHANGE

**CONTACT**

**CUSTOMER SERVICE**

1.800.670.0707  
 customerservice@xantrex.com  
**Hours of operation:**  
 6:30am - 4:30pm PST, Monday to Friday

 [facebook.com/Xantrex](https://facebook.com/Xantrex)

 @Xantrex

 [youtube.com/XantrexTechnology](https://youtube.com/XantrexTechnology)

**LEARN MORE ON:**

[www.xantrex.com](http://www.xantrex.com)