

# ARG Series Raw Water Strainers

## Installation and Maintenance

**Installation:** Recommended installation is vertically oriented and above the waterline. Sizes smaller than 1-1/2" have an upper bracket which is fastened to a sturdy surface. Hang the strainer in the upper bracket to mark the position of the lower bracket (about 1" above the drain plug). Remove the strainer from the upper bracket to drill the holes for the lower bracket. The lower bracket is mounted open-side up. Hang the strainer in the upper bracket (the sight glass is resting against the lower bracket). Run the releasable strap around the sight glass (be sure to engage the lower bracket), and pull hand-tight.



ARG-P SERIES  
with Non-Metallic  
Filter Basket

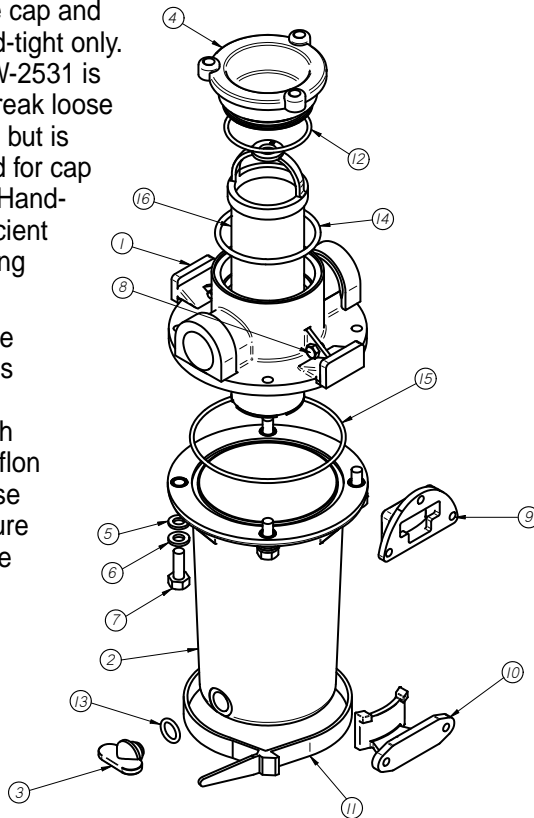
Sizes 1-1/2" and larger do not have a separate upper bracket. Bolt through the cast-in bracket and into a bulkhead or stringer. Install the lower bracket in the same manner as described above.

**Bonding:** Strainers have 2 #10 bonding screws on the strainer head. Use the screw most convenient for connection to the boat bonding system. Warning: Do not make the strainer bonding connection in series with motorized equipment, as specified by ABYC, E-11, Figure-18.

**Maintenance:** Inspect and clean the basket frequently (the addition of GROCO SSA will tell you when to clean all of your strainers - call GROCO for details). Clean the sight glass with mild soapy water. Do not use chemical cleaners.

Replace the cap and tighten hand-tight only. GROCO SW-2531 is offered to break loose a stuck cap, but is not intended for cap tightening. Hand-tight is sufficient for the O-Ring seals.

Lubricate the Cap O-Rings and threads annually with silicon or Teflon based grease to make future maintenance easier.



ITEM NO	NAME	IN SVC KIT	QTY	ARG-500	ARG-750	ARG-1000	ARG-1210	ARG-1250	IN SVC KIT	QTY	ARG-1500	ARG-2015	ARG-2000	ARG-2515	ARG-2520	ARG-2500	ARG-3015	ARG-3020	ARG-3010-H	ARG-3025	ARG-3000
1	Head Casting		1	ARG-510-H	ARG-760-H	ARG-1010-H	ARG-1260-H	ARG-1260-H		1	ARG-1510-H	ARG-2010-H	ARG-2010-H	ARG-2510-H	ARG-2510-H	ARG-2510-H	ARG-3010-H	ARG-3010-H	ARG-3010-H	ARG-3010-H	ARG-3010-H
2	Sight Glass		1	ARG-503	ARG-753	ARG-1003	ARG-1003	ARG-1253		1	ARG-1503	ARG-2003	ARG-2003	ARG-2503	ARG-2503	ARG-2503	ARG-3003	ARG-3003	ARG-3003	ARG-3003	ARG-3003
3	Drain Plug		1	ARG-756	ARG-756	ARG-756	ARG-756	ARG-756		1	ARG-756	ARG-756	ARG-756	ARG-756	ARG-756	ARG-756	ARG-756	ARG-756	ARG-756	ARG-756	ARG-756
	Drain Plug W/O-RING		1																		
	Drain Plug before 080101		1	ARG-506	ARG-506	ARG-506	ARG-506	ARG-506		1	ARG-506	ARG-506	ARG-506	ARG-506	ARG-506	ARG-506	ARG-506	ARG-506	ARG-506	ARG-506	ARG-506
4	Cap, Plastic		1		ARG-501-PC		ARG-1001-PC			1											
	Cap, Bronze, before 010901		1				ARG-501-B			1											
	Cap, Bronze, after 010901		1					ARG-1001-B		1											
5	Washer	ARG-1	1	PFW-2 SET	PFW-2 SET	PFW-2 SET	PFW-2 SET	PFW-2 SET	ARG-2	1	PFW-2 SET	PFW-2 SET	PFW-2 SET	PFW-2 SET	PFW-2 SET	PFW-2 SET	PFW-2 SET	PFW-2 SET	PFW-2 SET	PFW-2 SET	PFW-2 SET
6	Washer		4	14SS	14SS	14SS	14SS	14SS		6	14SS	14SS	14SS	14SS	14SS	14SS	14SS	14SS	14SS	14SS	14SS
7	Hex Bolt		2	1024X14HB	1024X14HB	1024X14HB	1024X14HB	1024X14HB		2	1024X14HB	1024X14HB	1024X14HB	1024X14HB	1024X14HB	1024X14HB	1024X14HB	1024X14HB	1024X14HB	1024X14HB	1024X14HB
8	Bracket, Upper		1	ARG-505	ARG-505	ARG-1005	ARG-1005	ARG-1005		1	ARG-1504	ARG-1504	ARG-1504	ARG-1504	ARG-1504	ARG-1504	ARG-1504	ARG-1504	ARG-1504	ARG-1504	ARG-1504
9	Bracket, Lower		1	ARG-504	ARG-504	ARG-1004	ARG-1004	ARG-1004		1	ARG-1502	ARG-1502	ARG-1502	ARG-1502	ARG-1502	ARG-1502	ARG-1502	ARG-1502	ARG-1502	ARG-1502	ARG-1502
10	Strap		1	ARG-502	ARG-502	ARG-502	ARG-502	ARG-502		1	ARG-502	ARG-502	ARG-502	ARG-502	ARG-502	ARG-502	ARG-502	ARG-502	ARG-502	ARG-502	ARG-502
11	O-Ring	ARG-1	1	2-228	2-228	2-228	2-232	2-232	ARG-2	1	2-238	2-238	2-238	2-238	2-238	2-238	2-238	2-238	2-238	2-238	2-238
12	O-Ring	ARG-1	1	2-111	2-111	2-111	2-111	2-111	ARG-2	1	2-111	2-111	2-111	2-111	2-111	2-111	2-111	2-111	2-111	2-111	2-111
13	O-Ring	ARG-1	1	2-011	2-011	2-011	2-011	2-011	ARG-2	1	2-011	2-011	2-011	2-011	2-011	2-011	2-011	2-011	2-011	2-011	2-011
14	O-Ring before 080101		1	2-135	2-135	2-135	2-229	2-229	ARG-2	1	2-234	2-234	2-234	2-234	2-234	2-234	2-234	2-234	2-234	2-234	2-234
15	O-Ring	ARG-1	1	2-153	2-153	2-153	BP-2	BP-2	ARG-3	1	2-256	2-256	2-256	2-256	2-256	2-256	2-256	2-256	2-256	2-256	2-256
16	Basket, Polyethylene		1	BP-1	BP-1	BP-1	BP-4	BP-4		1	BP-8	BP-8	BP-8	BP-9	BP-10	BP-11	BP-12	BP-13	BP-14	BP-15	BP-15
	Basket, #304 SS		1	BS-1	BS-1	BS-1	BS-4	BS-4		1	BS-6	BS-6	BS-6	BS-7	BS-8	BS-9	BS-10	BS-11	BS-12	BS-13	BS-15
	Basket, Monel		1	BM-1	BM-1	BM-1	BM-3	BM-3		1	BM-5	BM-5	BM-5	BM-6	BM-7	BM-8	BM-9	BM-10	BM-11	BM-12	BM-15