

A2K-4WT

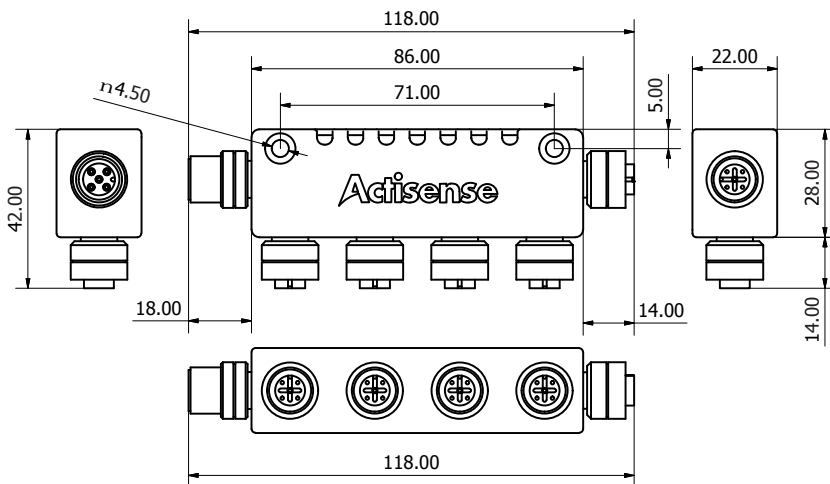
4 Way Multidrop T Piece (Micro)



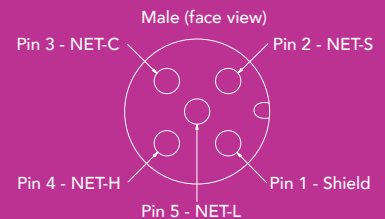
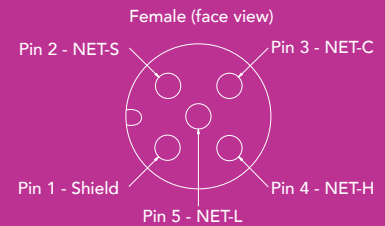
The Actisense NMEA 2000® 4 Way Multidrop T Piece is for use where a multiple drop or 'ports' are required from the NMEA 2000® backbone to connect other devices.

With five female and one male connector, the A2K-4WT can be easily connected to Actisense NMEA 2000® micro cable assemblies, available in various lengths with UL certified cable for unbeatable quality.

Product Dimensions.



Colour	Pin	Name
Bare/Green	1	Shield
Red	2	NET-S
Black	3	NET-C
White	4	NET-H
Blue	5	NET-L



Product Specifications.

Mechanical	
Male Contact	Brass, gold plated
Female Contact	Phosphor bronze, gold plated
Contact Carrier	PBT, black
Contact Polarisation	Standard M12 - "A" - polarisation
Mating Thread	M12
Screw Cap	Brass, nickel plated
O-Ring Seal	Rubber
Housing	TPU, flame retardant to UL94-V0
Weight	105g

Electrical	
Rated Current	4A
Rated Voltage	60V
Approvals and Certifications	
Protection	IP67 (when mated)
Operating Temperature	-20°C to +70°C
Storage Temperature	-40°C to +85°C
NMEA 2000 Certification Pending	
RoHS Compliant	