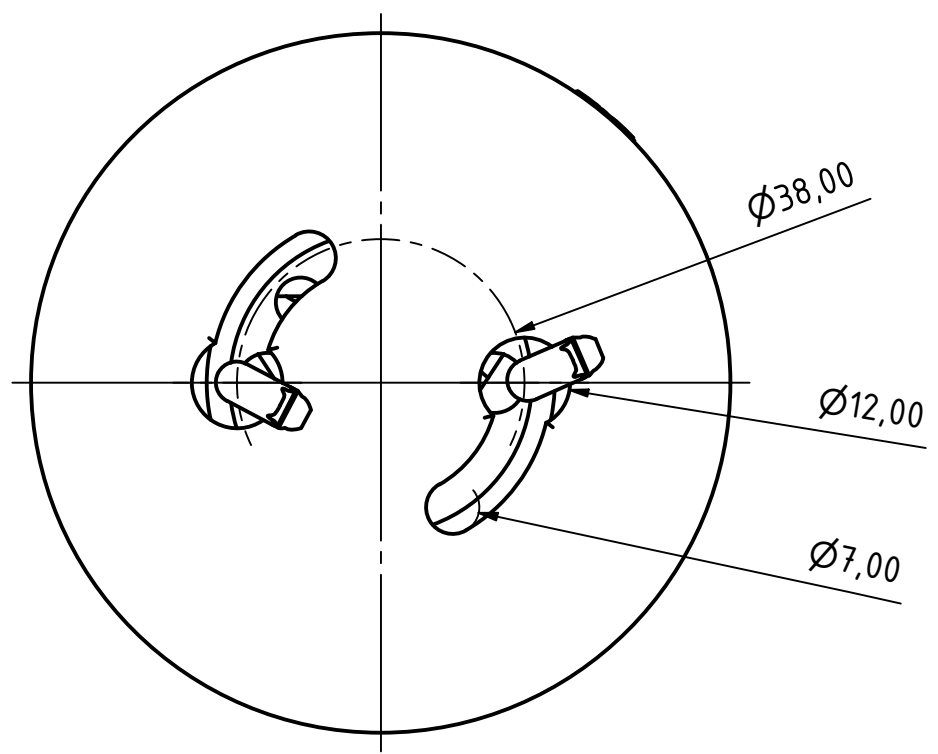
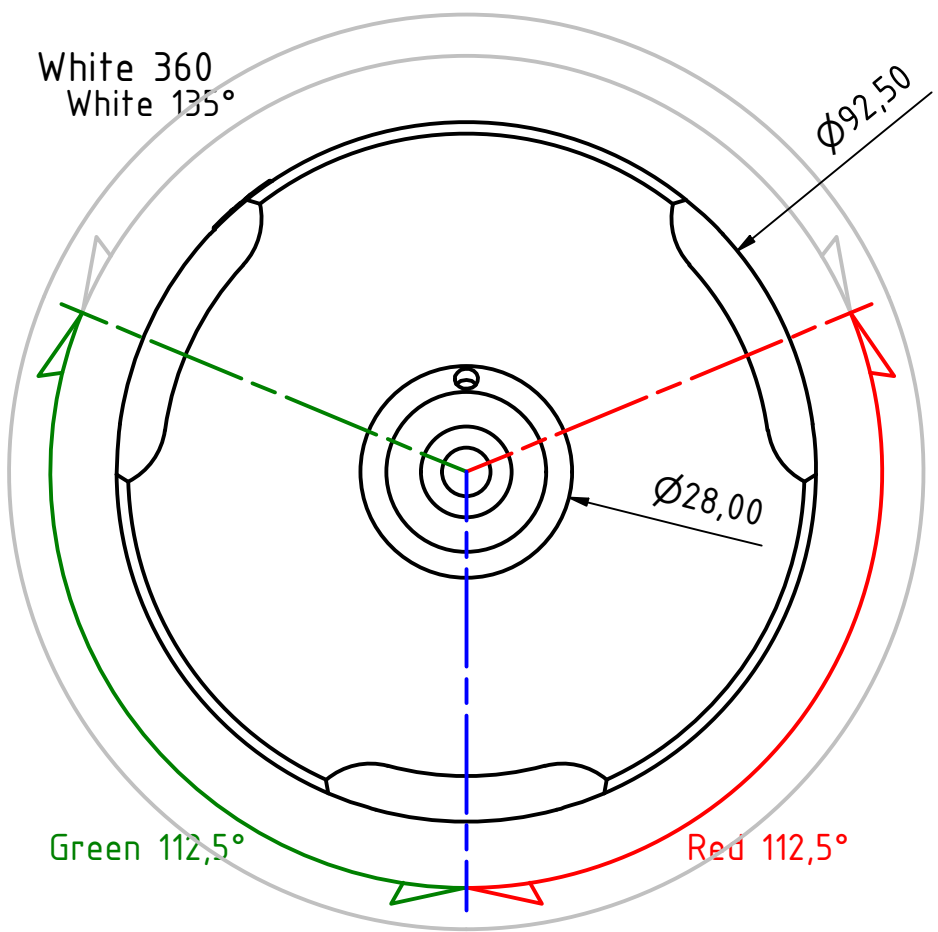
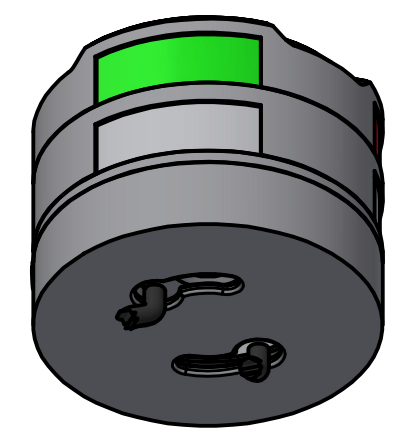
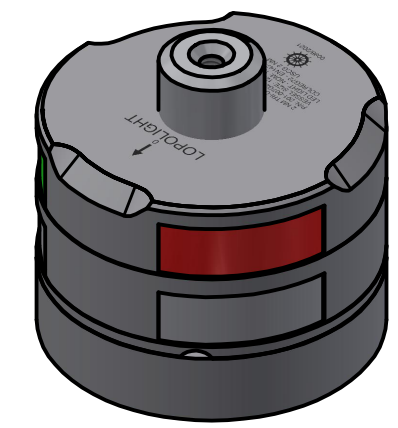
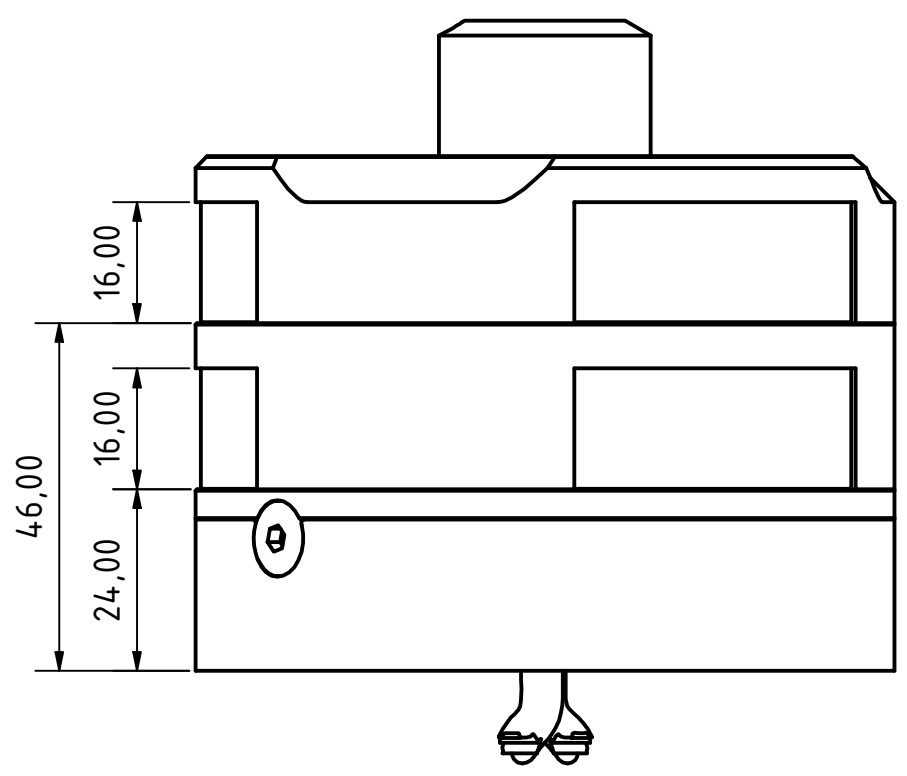
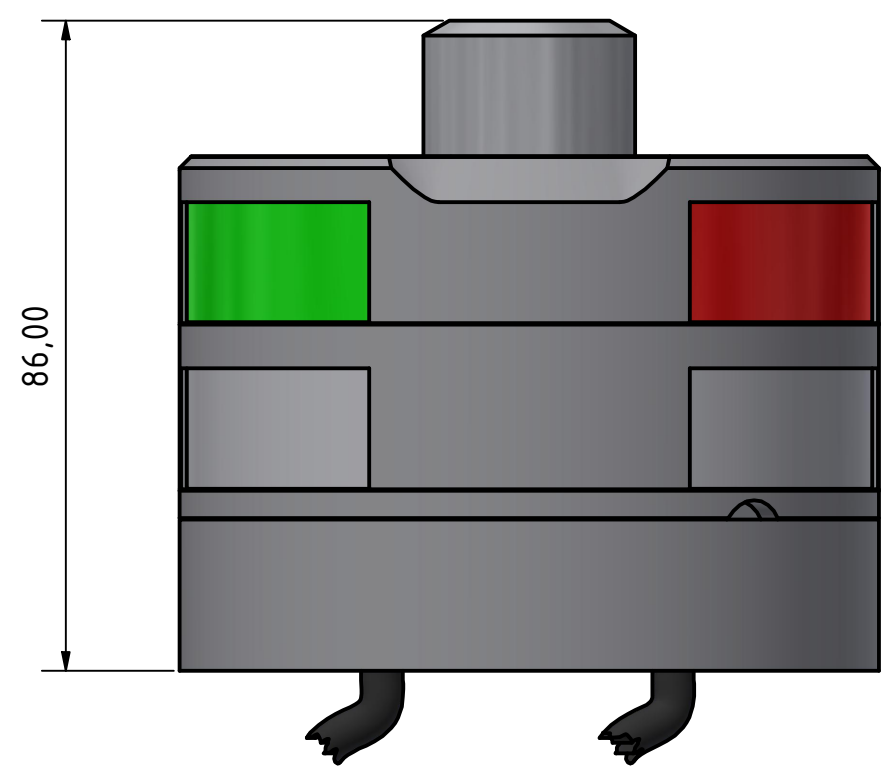


A B C D E F G H I J

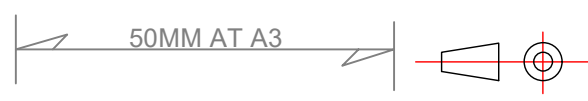
1 2 3 4 5 6 7 8



TITLE: 201-007G2SW 2 NM tri-color/anchor/strobe, HM, on a 400-038 PE std base for Windex			
DRAWING NO.:	REV. NO.:	SIZE:	DRAWN BY:
201-007G2SW-AA	1	A3	Thomas
SCALE:	TOLERANCES:	REVIEWED BY:	CREATION DATE:
1 : 1	DS/ISO 2768-f		21-09-2021
MATERIAL DESCRIPTION: (20µ) Silver anodized according to EN ISO 7599 (50µ) Black anodized according to MIL-A 8625F			

LOPOLIGHT

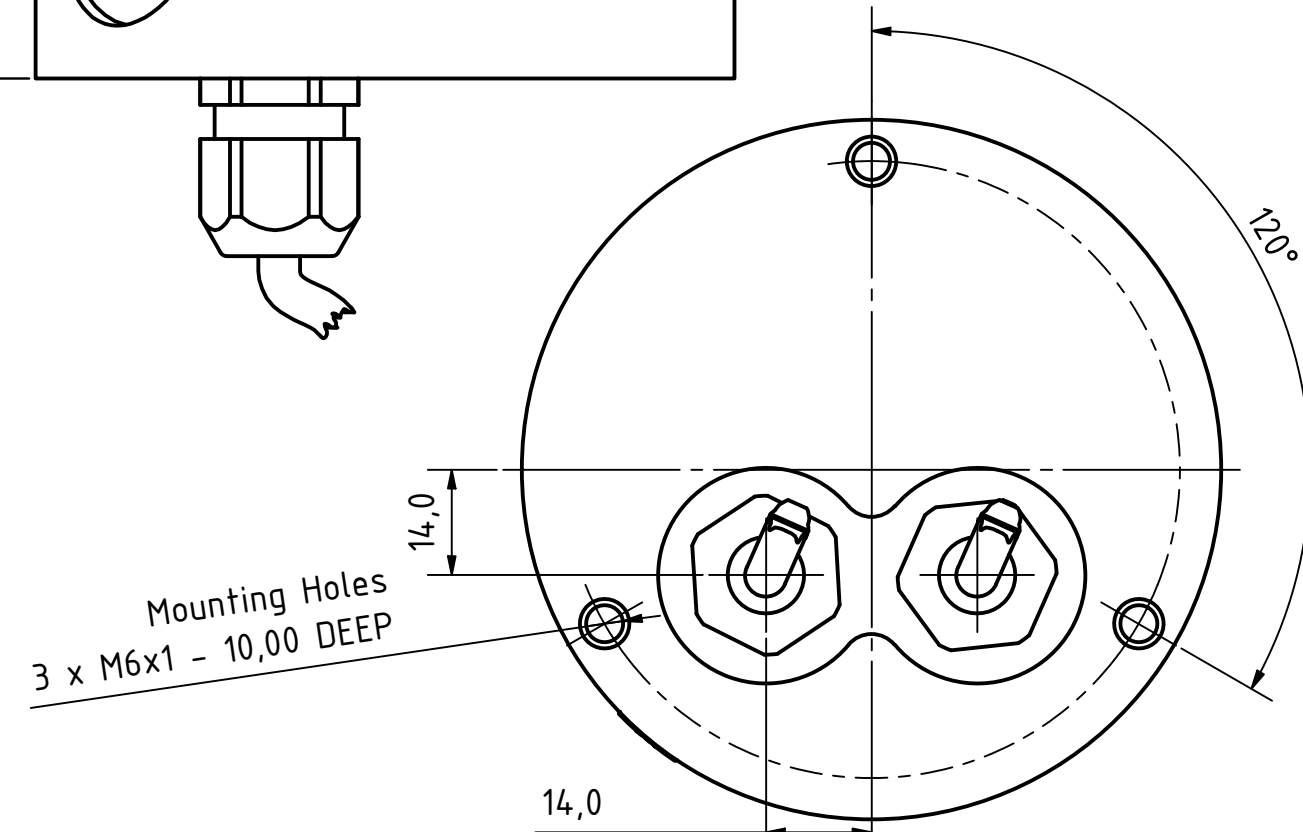
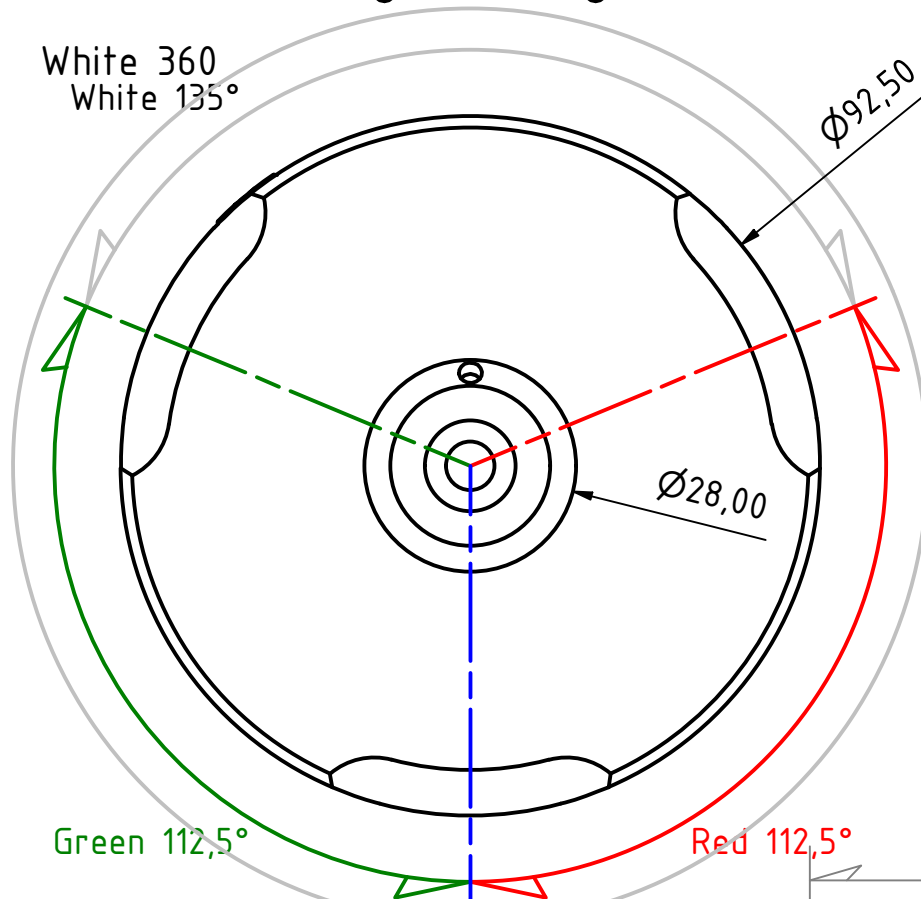
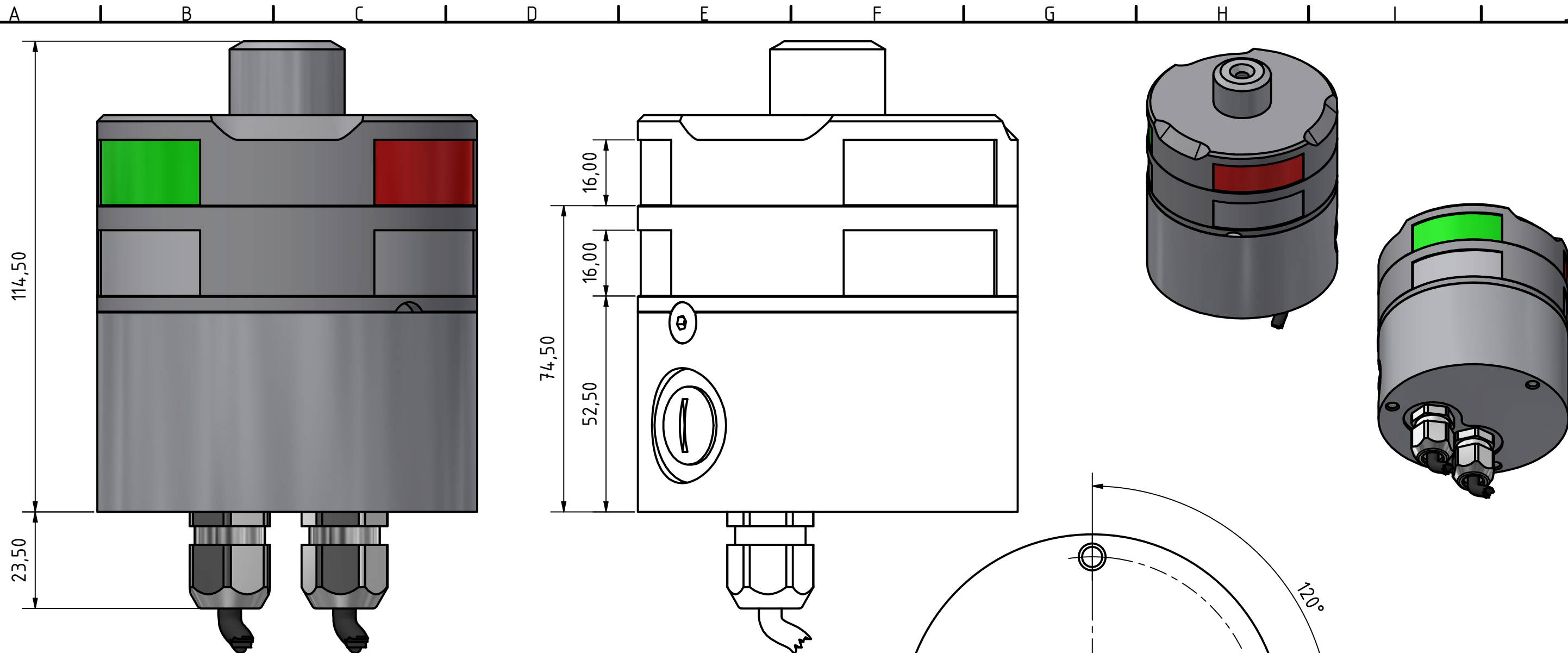
Lopolight ApS
 Bakkegaardsvej 513
 DK-3050, Humlebaek
 Denmark
www.lopolight.com
 Tel:(+45) 32 48 50 30
info@lopolight.com



A B C D E F G H I J

8

This Drawing, and the information within, is the property of Lopolight ApS and may not be used in any form without express permission there from. Lopolight reserves the right to change this drawing and assumes no liability for the information communicated herein. Use of dimensions and other information in this drawing is at the users own risk.

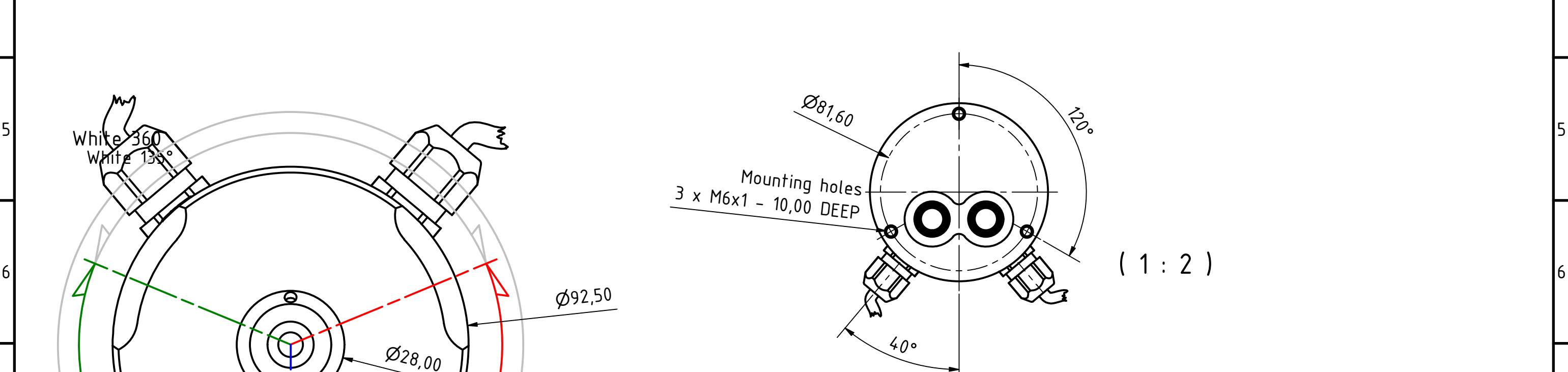
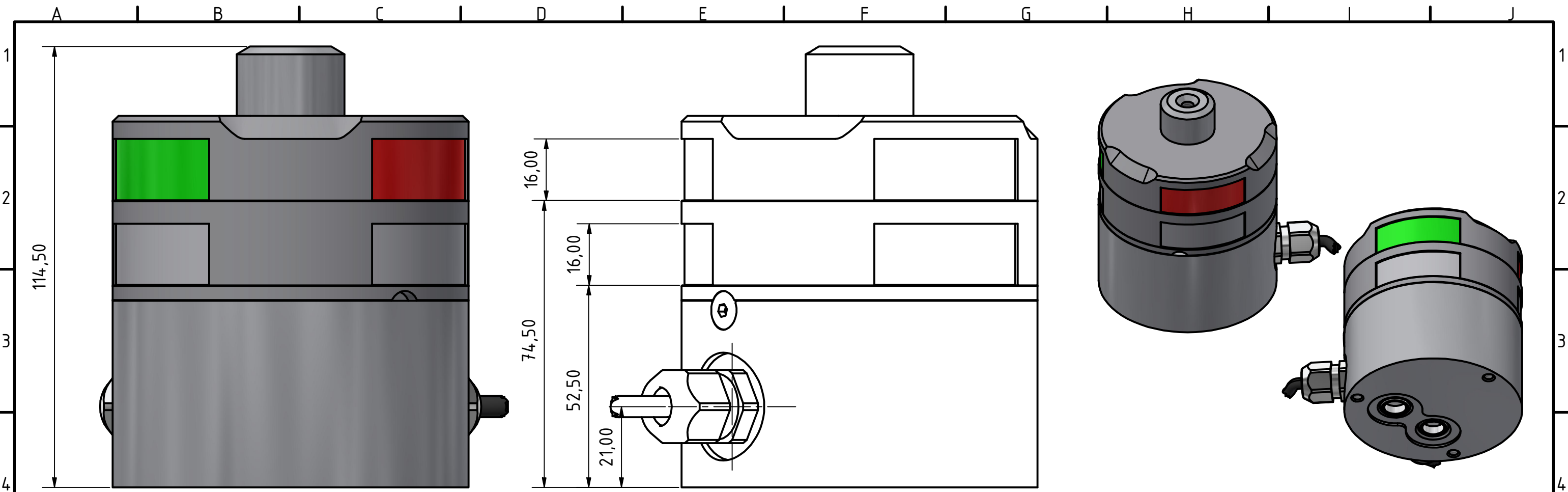


TITLE: 201-007G2SW 2 NM tri-color/anchor/strobe, HM, on a 400-034 Promount base, cable down for Windex			
DRAWING NO.:	REV. NO.:	SIZE:	DRAWN BY:
201-007G2SW-BA	1	A3	Thomas
SCALE:	TOLERANCES:	REVIEWED BY:	CREATION DATE:
1 : 1	DS/ISO 2768-f		21-09-2021
MATERIAL DESCRIPTION: (20µ) Silver anodized according to EN ISO 7599 (50µ) Black anodized according to MIL-A 8625F			
This Drawing, and the information within, is the property of Lopolight ApS and may not be used in any form without express permission there from. Lopolight reserves the right to change this drawing and assumes no liability for the information communicated herein. Use of dimensions and other information in this drawing is at the users own risk.			

LOPOLIGHT

Lopolight ApS
 Bakkegaardsvej 513
 DK-3050, Humlebaek
 Denmark
www.lopolight.com
 Tel:(+45) 32 48 50 30
info@lopolight.com

50MM AT A3

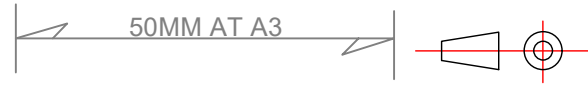


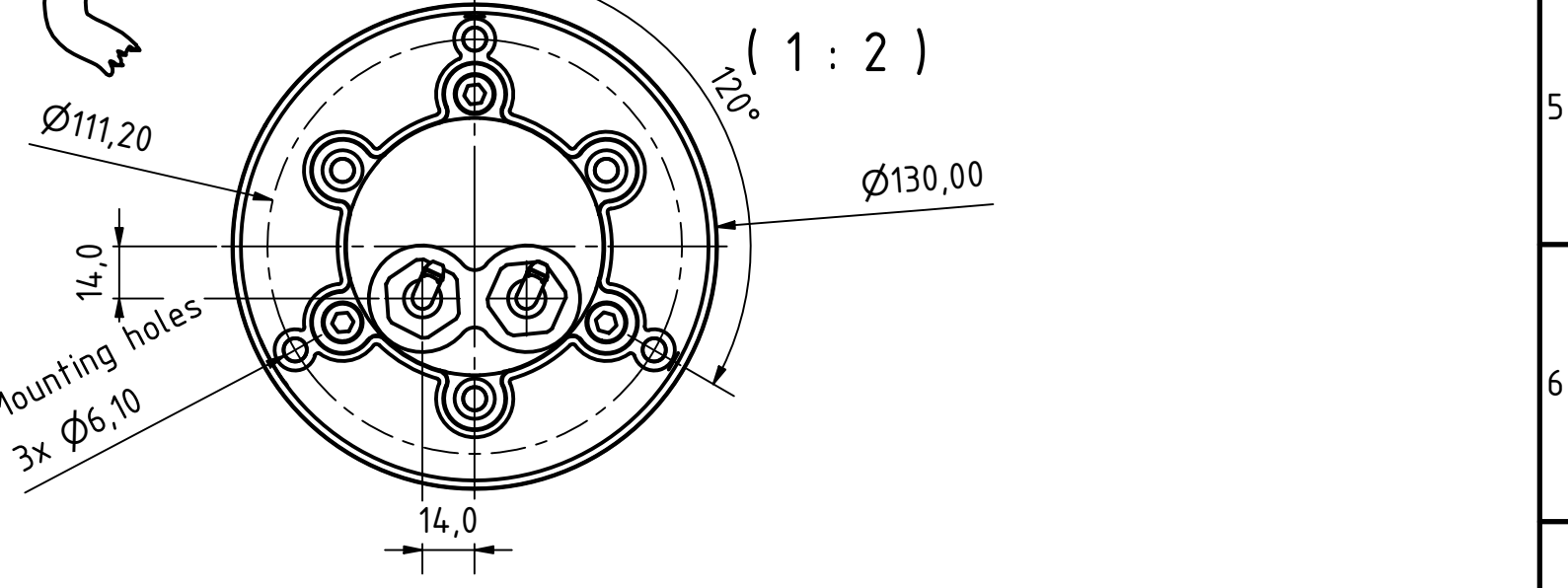
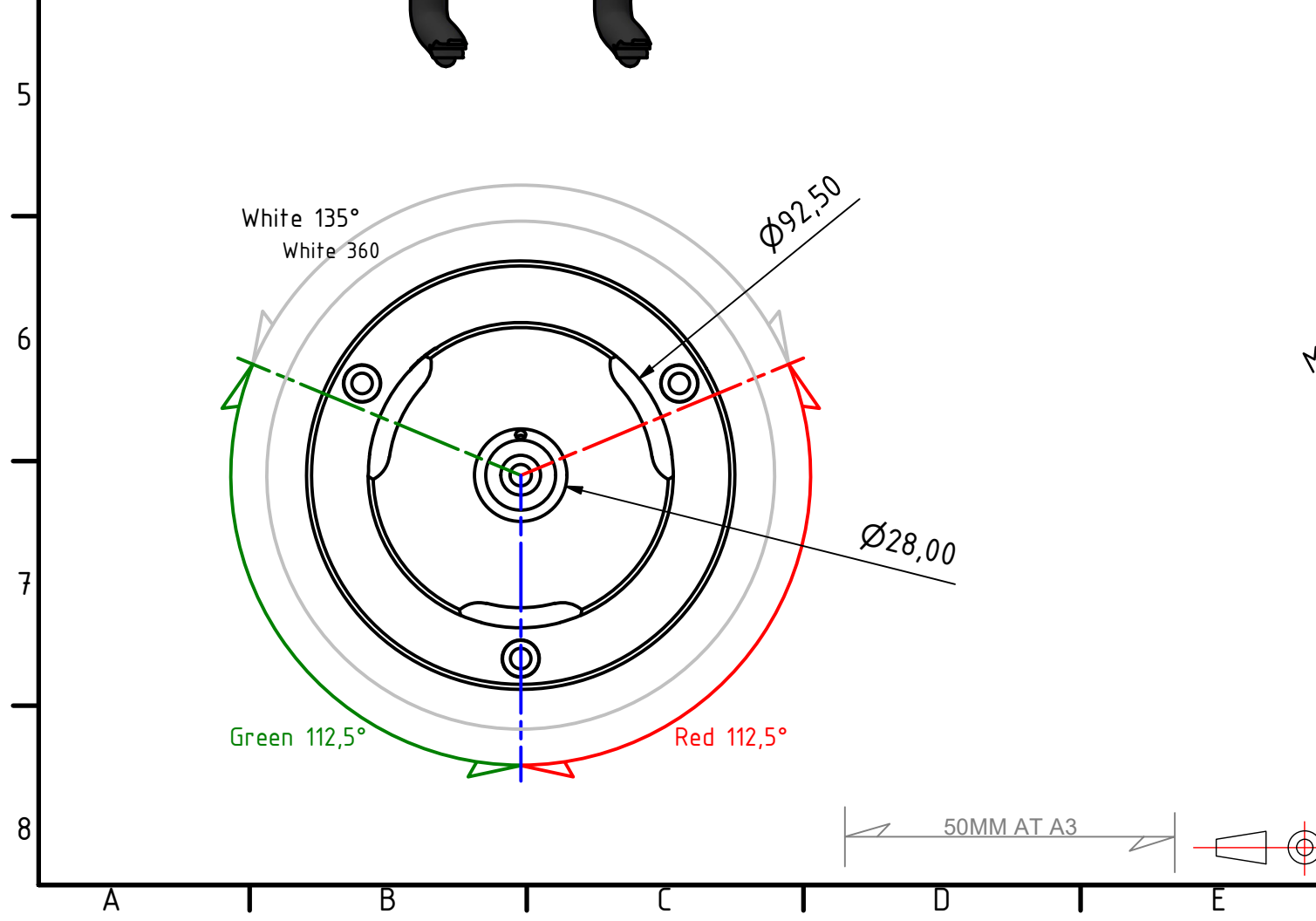
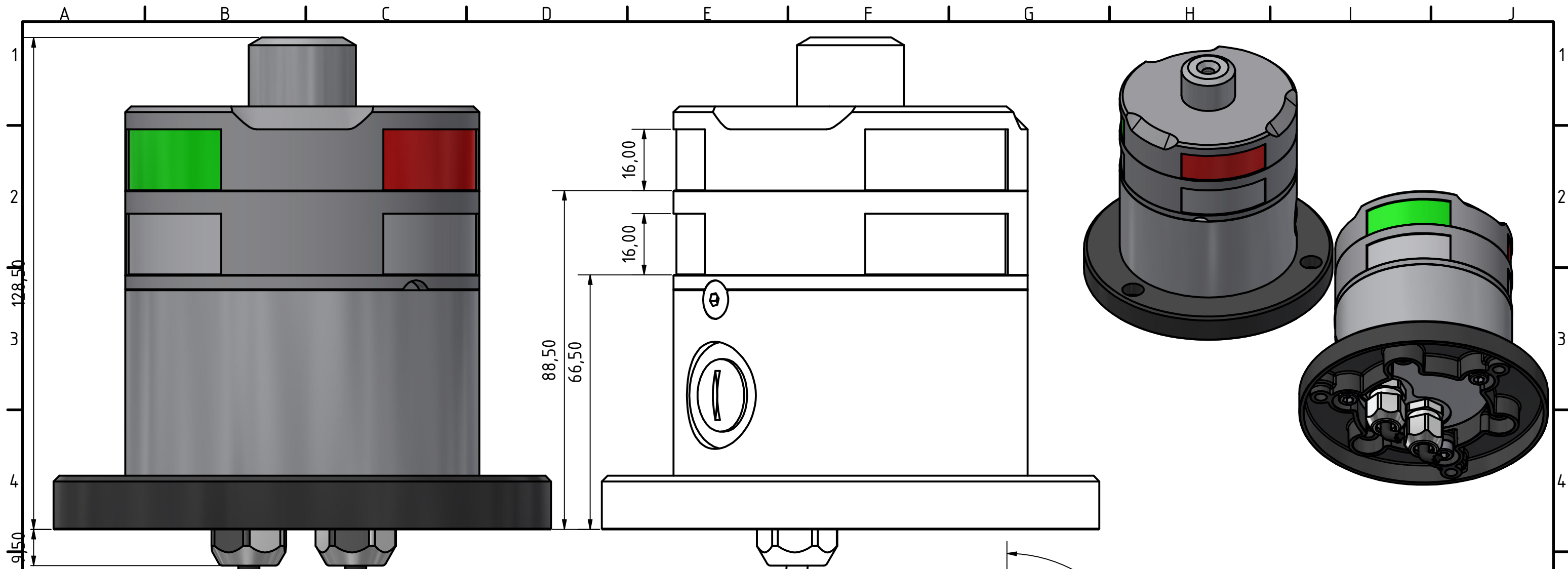
TITLE: 201-007G2SW 2 NM tri-color/anchor/strobe, HM, on a 400-034 Promount base, cable Side for Windex			
DRAWING NO.:	REV. NO.:	SIZE:	DRAWN BY:
201-007G2SW-CA	1	A3	Thomas
SCALE:	TOLERANCES:	REVIEWED BY:	CREATION DATE:
1 : 1	DS/ISO 2768-f		21-09-2021
MATERIAL DESCRIPTION: (20 μ) Silver anodized according to EN ISO 7599 (50 μ) Black anodized according to MIL-A 8625F			
This Drawing, and the information within, is the property of Lopolight ApS and may not be used in any form without express permission there from. Lopolight reserves the right to change this drawing and assumes no liability for the information communicated herein. Use of dimensions and other information in this drawing is at the users own risk.			

LOPOLIGHT

Lopolight ApS
 Bakkegaardsvej 513
 DK-3050, Humlebaek
 Denmark
www.lopolight.com

Tel:(+45) 32 48 50 30
info@lopolight.com



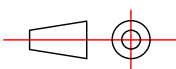


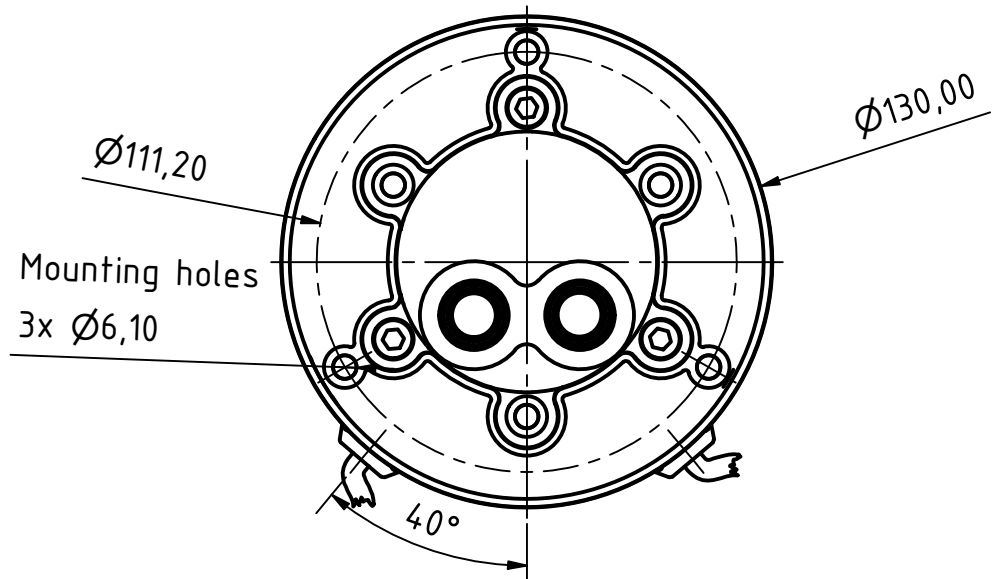
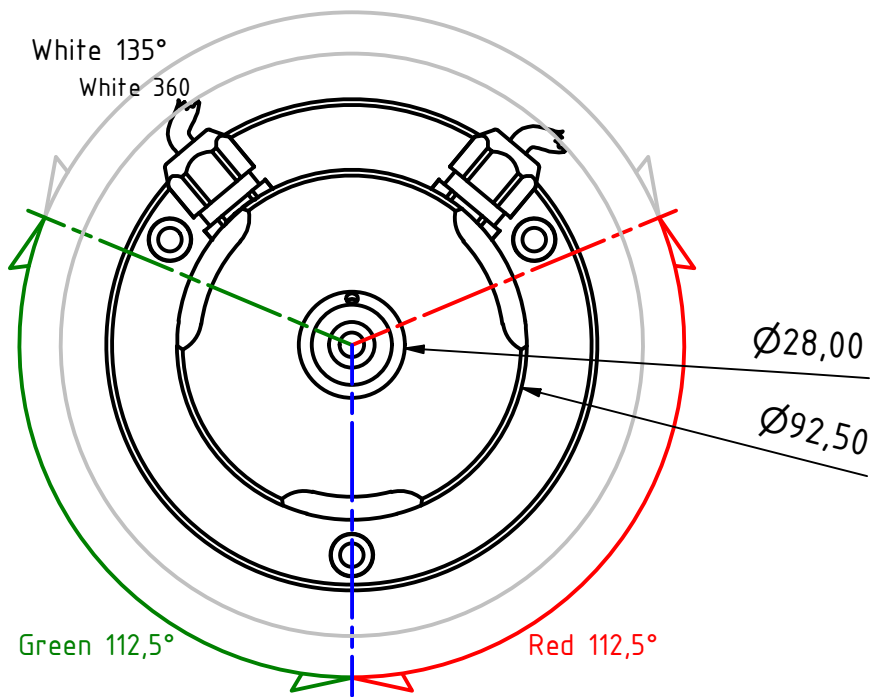
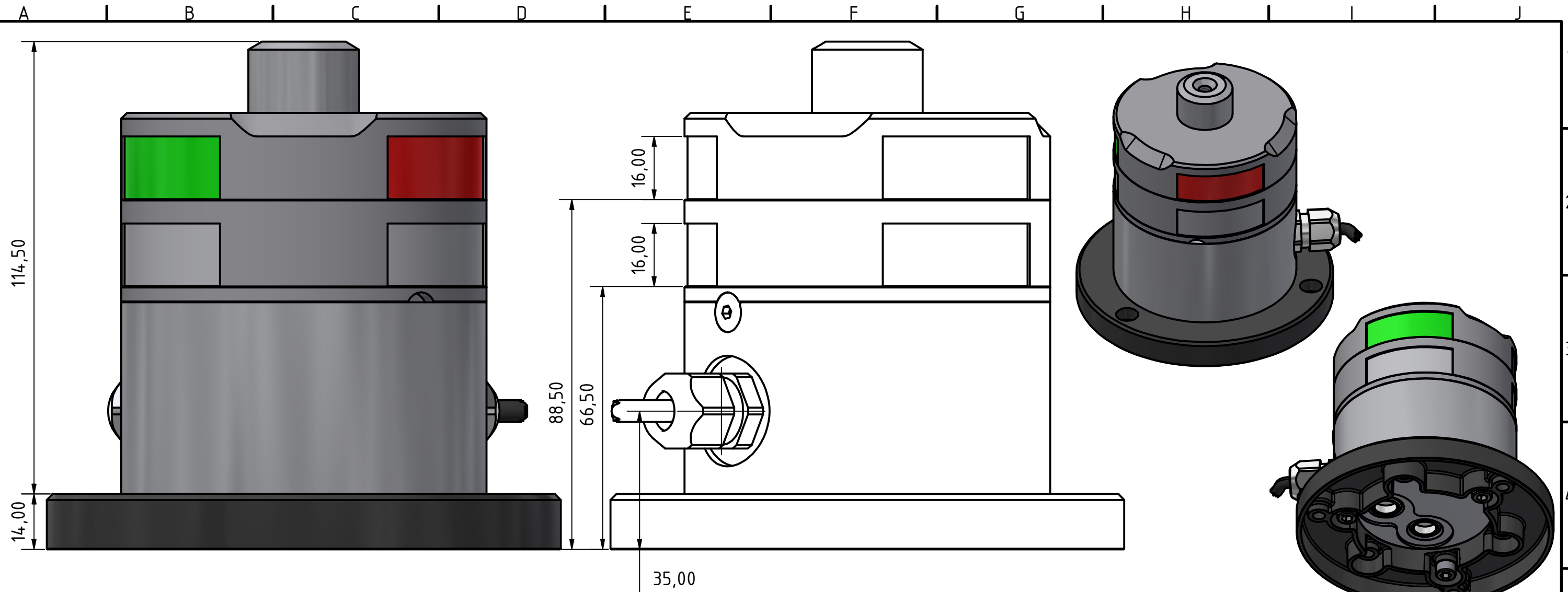
TITLE: 201-007G2SW 2 NM tri-color/anchor/strobe, HM, on a 400-034 Promount base, 400-404 PE Base, cable down for Windex			
DRAWING NO.:	REV. NO.:	SIZE:	DRAWN BY:
201-007G2SW-DA	1	A3	Thomas
SCALE:	TOLERANCES:	REVIEWED BY:	CREATION DATE:
1 : 1	DS/ISO 2768-f		21-09-2021
MATERIAL DESCRIPTION:		(20µ) Silver anodized according to EN ISO 7599 (50µ) Black anodized according to MIL-A 8625F	
This Drawing, and the information within, is the property of Lopolight ApS and may not be used in any form without express permission there from. Lopolight reserves the right to change this drawing and assumes no liability for the information communicated herein. Use of dimensions and other information in this drawing is at the users own risk.			

LOPOLIGHT

Lopolight ApS
 Bakkegaardsvej 513
 DK-3050, Humlebaek
 Denmark
www.lopolight.com
 Tel:(+45) 32 48 50 30
info@lopolight.com

50MM AT A3





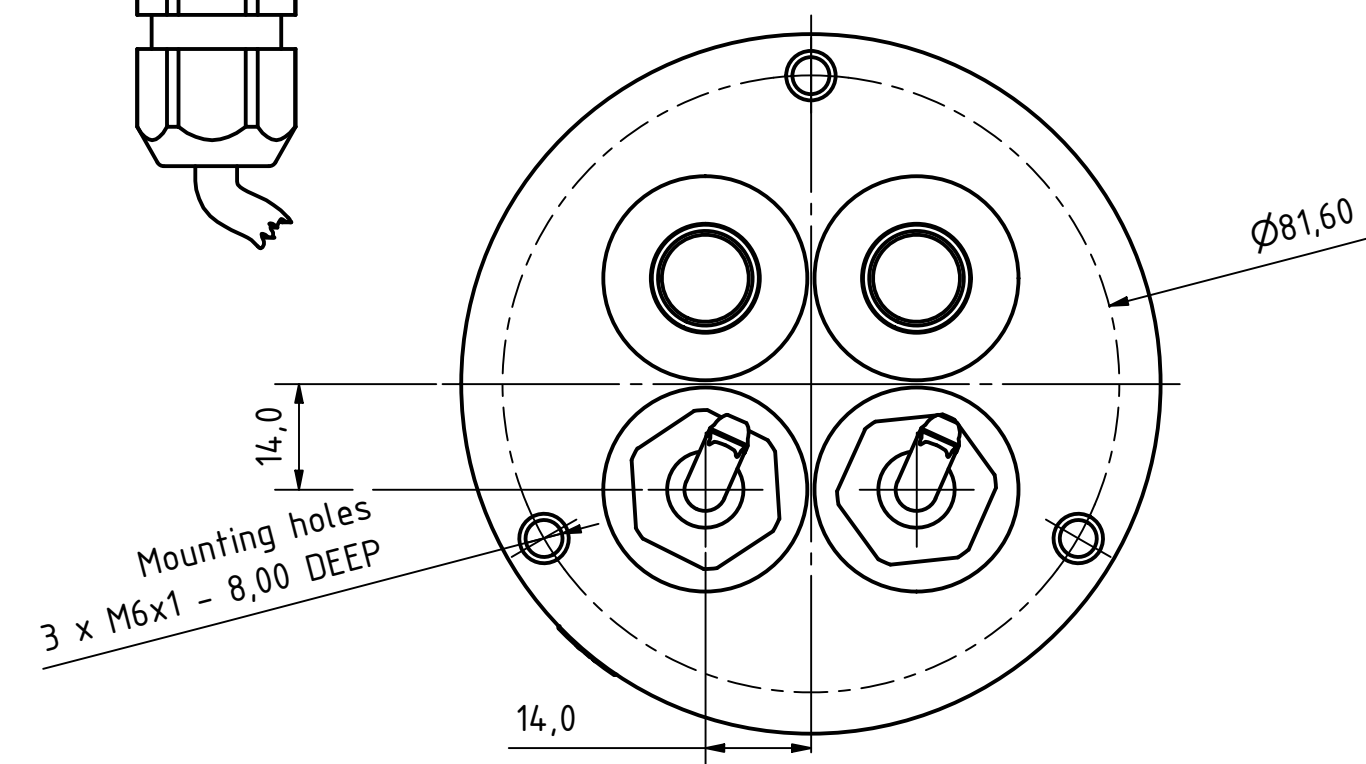
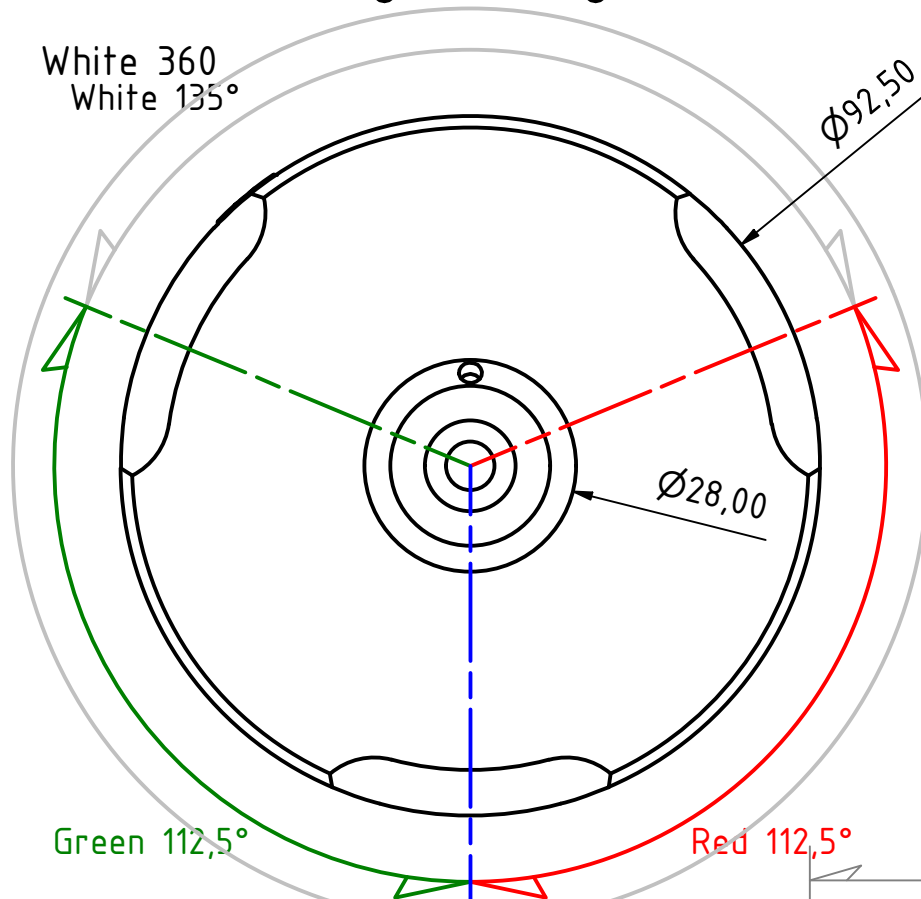
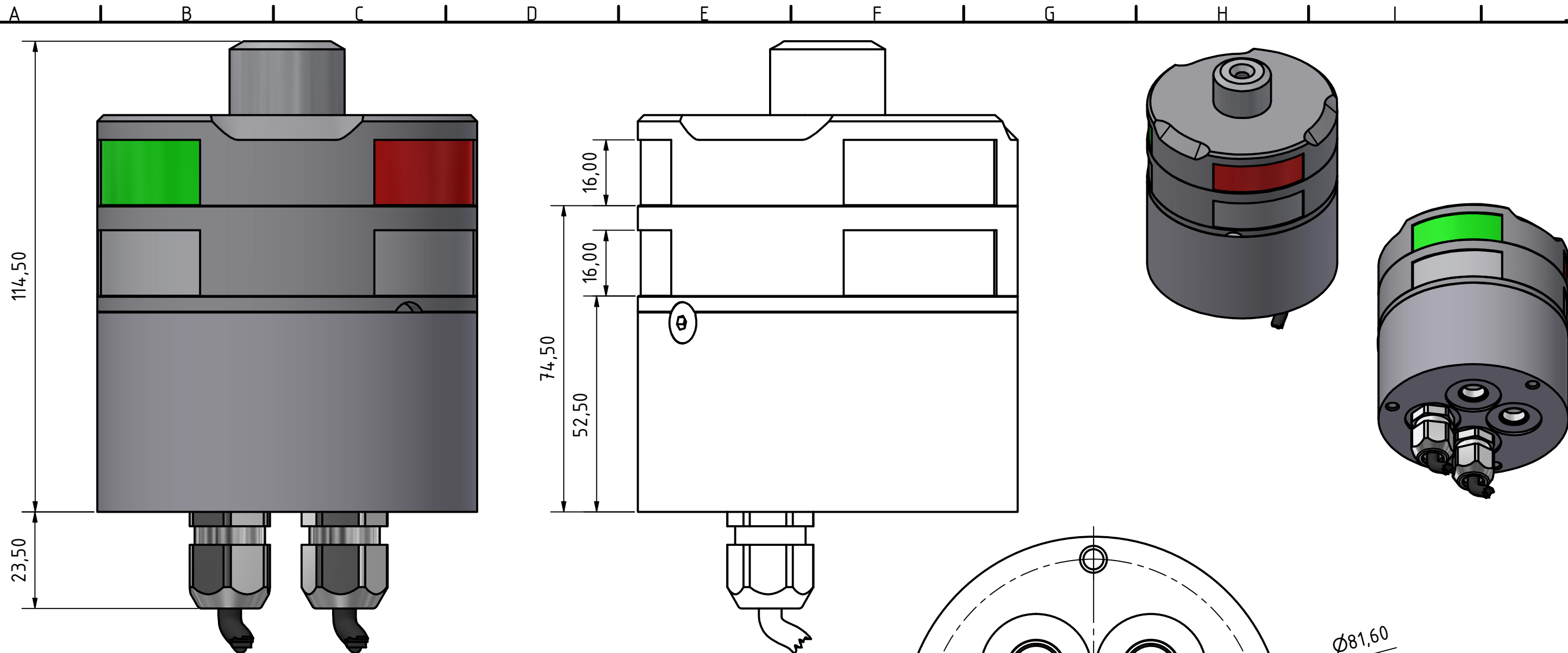
TITLE: 201-007G2SW 2 NM tri-color/anchor/strobe, HM, on a 400-034 Promount base, 400-404 PE Base, cable side, for Windex			
DRAWING NO.:	REV. NO.:	SIZE:	DRAWN BY:
201-007G2SW-EA	1	A3	Thomas
SCALE:	TOLERANCES:	REVIEWED BY:	CREATION DATE:
1 : 1	DS/ISO 2768-f		21-09-2021
MATERIAL DESCRIPTION: (20µ) Silver anodized according to EN ISO 7599 (50µ) Black anodized according to MIL-A 8625F			

This Drawing, and the information within, is the property of Lopolight ApS and may not be used in any form without express permission there from. Lopolight reserves the right to change this drawing and assumes no liability for the information communicated herein. Use of dimensions and other information in this drawing is at the users own risk.

LOPOLIGHT

Lopolight ApS
 Bakkegaardsvej 513
 DK-3050, Humlebaek
 Denmark
www.lopolight.com
 Tel:(+45) 32 48 50 30
info@lopolight.com



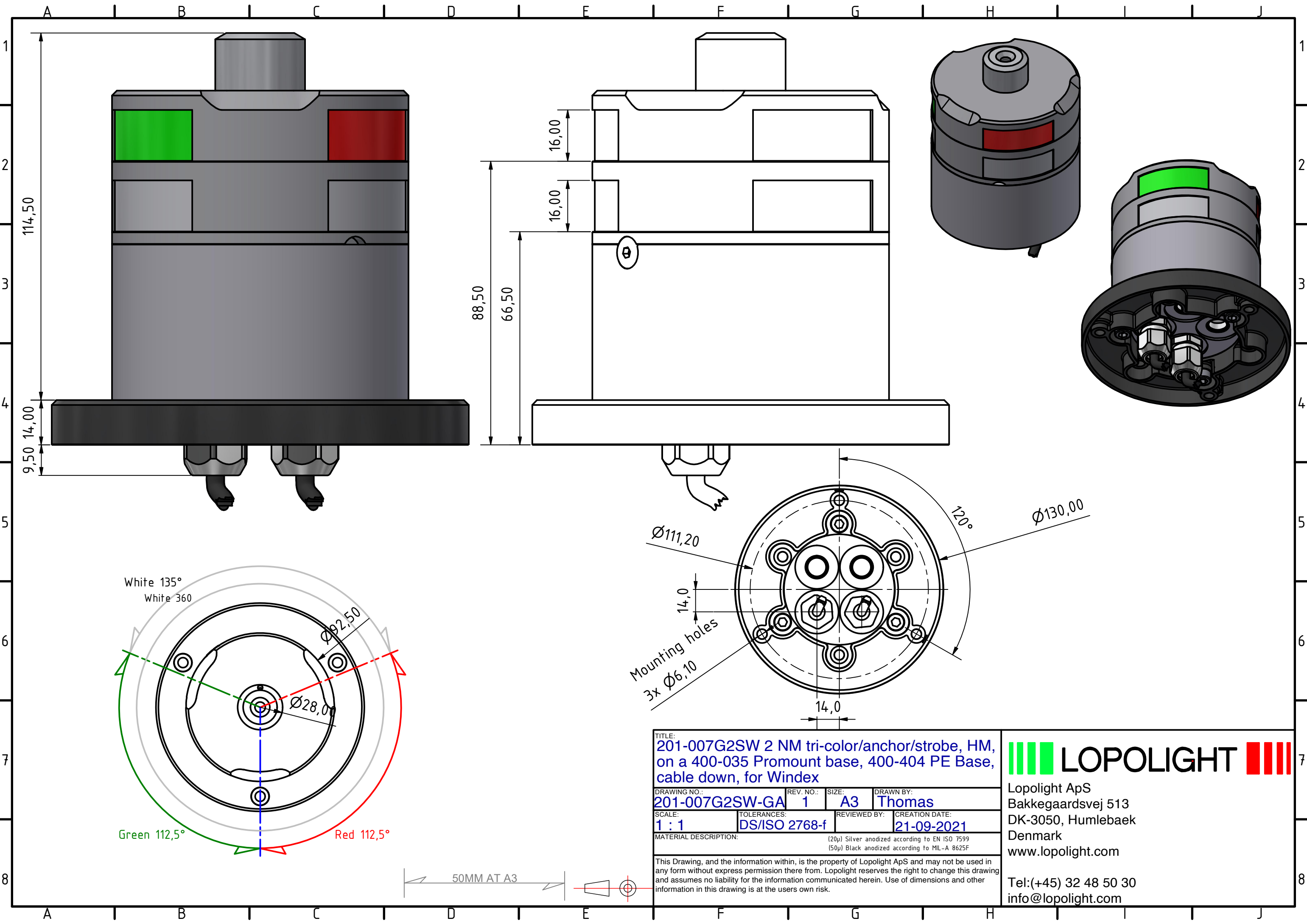


TITLE: 201-007G2SW 2 NM tri-color/anchor/strobe, HM, on a 400-035 Promount base, cable down for Windex			
DRAWING NO.:	REV. NO.:	SIZE:	DRAWN BY:
201-007G2SW-FA	1	A3	Thomas
SCALE:	TOLERANCES:	REVIEWED BY:	CREATION DATE:
1 : 1	DS/ISO 2768-f		21-09-2021
MATERIAL DESCRIPTION: (20µ) Silver anodized according to EN ISO 7599 (50µ) Black anodized according to MIL-A 8625F			
This Drawing, and the information within, is the property of Lopelight ApS and may not be used in any form without express permission there from. Lopelight reserves the right to change this drawing and assumes no liability for the information communicated herein. Use of dimensions and other information in this drawing is at the users own risk.			

LOPOLIGHT

Lopelight ApS
 Bakkegaardsvej 513
 DK-3050, Humlebaek
 Denmark
www.lopolight.com
 Tel:(+45) 32 48 50 30
info@lopolight.com

50MM AT A3

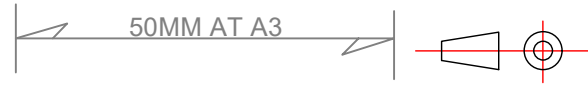


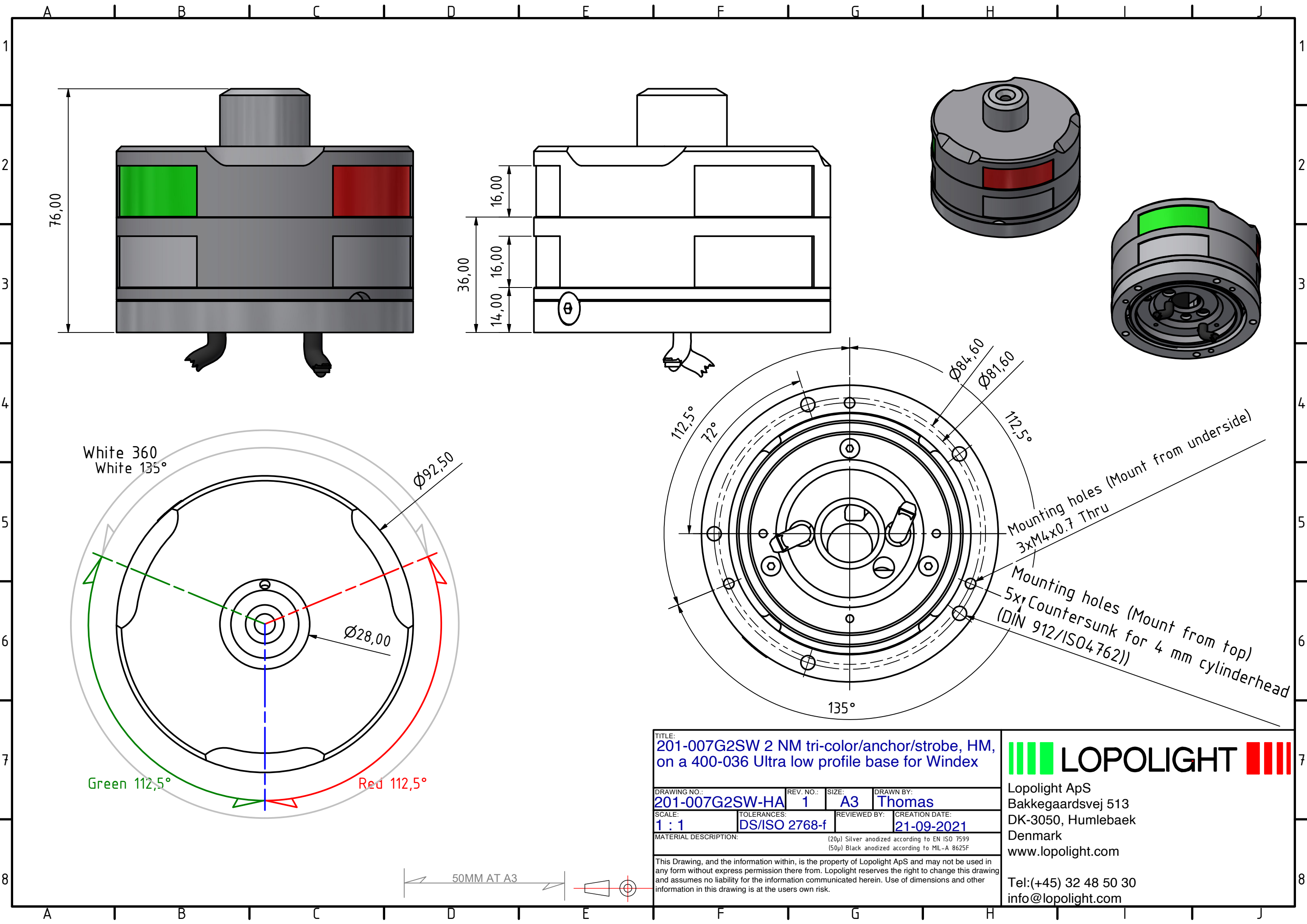
TITLE: 201-007G2SW 2 NM tri-color/anchor/strobe, HM, on a 400-035 Promount base, 400-404 PE Base, cable down, for Windex			
DRAWING NO.:	REV. NO.:	SIZE:	DRAWN BY:
201-007G2SW-GA	1	A3	Thomas
SCALE:	TOLERANCES:	REVIEWED BY:	CREATION DATE:
1 : 1	DS/ISO 2768-f		21-09-2021
MATERIAL DESCRIPTION:		(20 μ) Silver anodized according to EN ISO 7599 (50 μ) Black anodized according to MIL-A 8625F	
This Drawing, and the information within, is the property of Lopolight ApS and may not be used in any form without express permission there from. Lopolight reserves the right to change this drawing and assumes no liability for the information communicated herein. Use of dimensions and other information in this drawing is at the users own risk.			

LOPOLIGHT

Lopolight ApS
 Bakkegaardsvej 513
 DK-3050, Humlebaek
 Denmark
www.lopolight.com

Tel:(+45) 32 48 50 30
info@lopolight.com





TITLE: 201-007G2SW 2 NM tri-color/anchor/strobe, HM, on a 400-036 Ultra low profile base for Windex			
DRAWING NO.:	REV. NO.:	SIZE:	DRAWN BY:
201-007G2SW-HA	1	A3	Thomas
SCALE:	TOLERANCES:	REVIEWED BY:	CREATION DATE:
1 : 1	DS/ISO 2768-f		21-09-2021
MATERIAL DESCRIPTION: (20µ) Silver anodized according to EN ISO 7599 (50µ) Black anodized according to MIL-A 8625F			

LOPOLIGHT

Lopolight ApS
 Bakkegaardsvej 513
 DK-3050, Humlebaek
 Denmark
www.lopolight.com

Tel: (+45) 32 48 50 30
info@lopolight.com

This Drawing, and the information within, is the property of Lopolight ApS and may not be used in any form without express permission there from. Lopolight reserves the right to change this drawing and assumes no liability for the information communicated herein. Use of dimensions and other information in this drawing is at the users own risk.

