

Industrial Series 2412 & 1220

Small . Light . Powerful . Durable . High Frequency

The Industrial battery charger provides the power needed in a light weight, compact design. This economical, reliable and safe battery charging system delivers superior value.

2.87" x 4.91" x 8.27"
4.2 lbs.



For use with Lead Acid (Wet Cell), AGM, and most Lithium* batteries.

***Verify with PCS before use with Lithium.**

May be used in many types of industrial applications including Lifts, Floor Scrubbers, Powered Cart Movers, Heavy Duty Trailers and More.

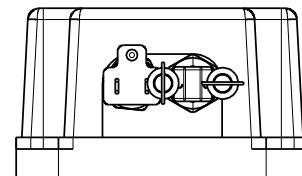
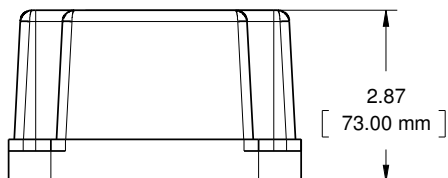
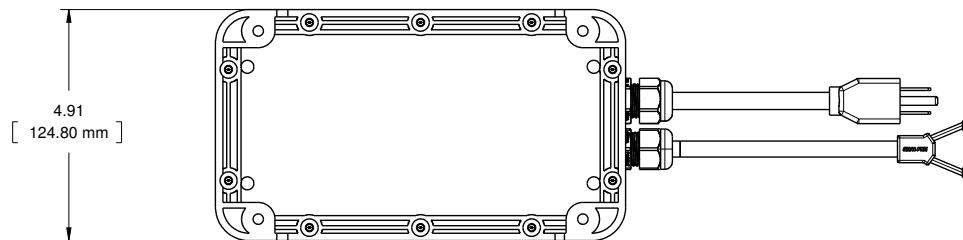
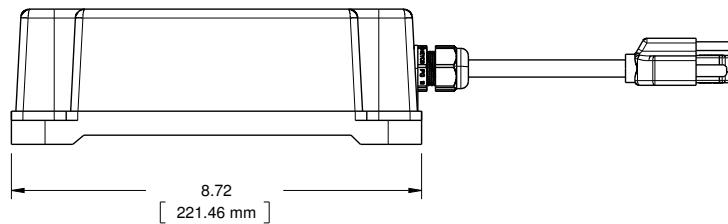
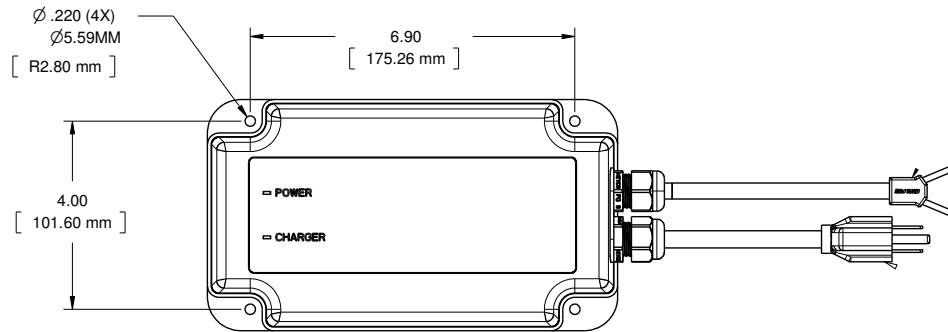
- Waterproof (IP67)
- Fully automatic with battery maintenance mode
- LEDs indicate battery state of charge
- FCC 15 Parts A and B Compliant

Model	Total Output	Dimensions H x W x L	Weight	DC Charge Cables	AC Power Cord	Battery System	Warranty
IS1220	20 Amps	2.87" x 4.91" x 8.27"	4.2 lbs	5 ft	6 ft	12V	2 Years
IS2412	12 Amps	2.87" x 4.91" x 8.27"	4.2 lbs	5 ft	6 ft	24V	2 Years

Models IS2412 and IS1220 Spec Sheet

For use with Lead Acid (Wet Cell), AGM, and most Lithium* batteries.

*Verify with PCS before use with Lithium.



- MEET OR EXCEED FCC PART 15 A & B
- EFFICIENCY: >85%
- OUTPUT RIPPLE AT MAX POWER <100mV
- REVERSE POLARITY PROTECTED - NO SPARKING ACTIVE
- INPUT VOLTAGE RANGE: 85 TO 264 VAC, 50-60Hz
- ACTIVE PFC

For additional details contact PCS at 866.755.8399.