



## KEY FEATURES

- 2.8" color TFT display with White LED backlighting
- 12V DC (2-wire)
- Dimmable LED backlit control
- Illumination control (day and night)
- Maximum power output: 160 watts (40W x 4)
- Waterproof IPx6
- AM/ FM Tuner with 36 presets (18AM, 18 FM)
- Bluetooth audio (Supports A2DP and AVRCP)
- 1A USB charging capability
- Rear (RCA) auxiliary audio input
- Rear (RCA) auxiliary audio output (2 volt)
- 4-Channel amplified audio output
- UV and corrosion resistant
- Low battery warning
- Dimensions: 4.5"H x 4.5"L x 4.4"D



**App Ready**



 **Bluetooth**®

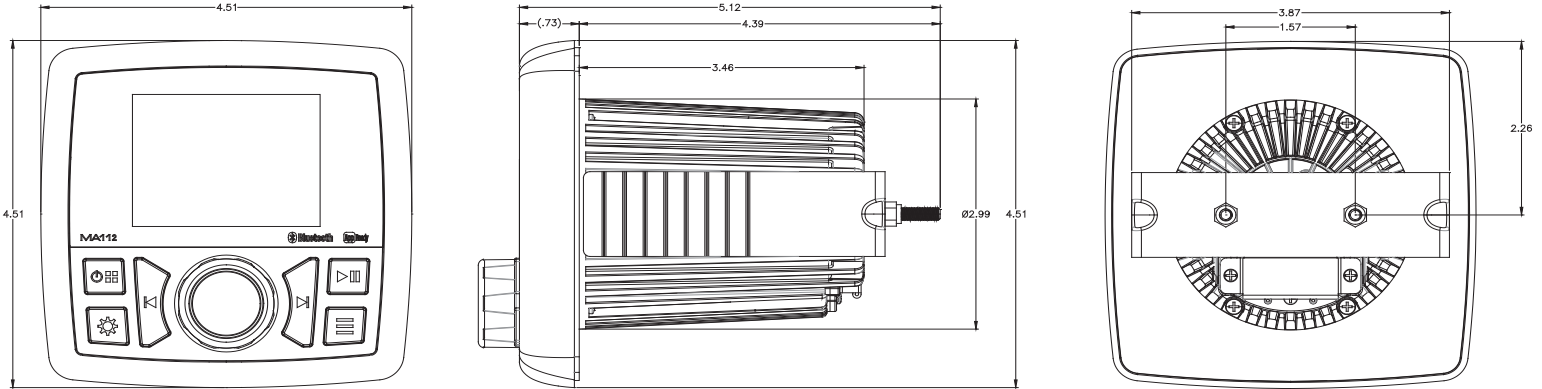
**asa**  
ELECTRONICS

2602 Marina Drive • Elkhart, IN 46514  
www.asaelectronics.com



# MA112

AM|FM|USB Compact Bluetooth Stereo with App Control



## Specifications

### General Specifications

|                                    |                |                                        |
|------------------------------------|----------------|----------------------------------------|
| <b>Power System</b>                |                | <b>12 VDC</b>                          |
| <b>Operating Voltage Range</b>     |                | <b>10 V to 16V</b>                     |
| <b>Current Draw @ 12V</b>          | <b>Idle</b>    | <b>145 mA</b>                          |
|                                    | <b>Nominal</b> | <b>1 A</b>                             |
|                                    | <b>Maximum</b> | <b>8.5 A</b>                           |
| <b>Operating Temperature Range</b> |                | <b>-4°F to 149°F    -20°C to 65°C</b>  |
| <b>Storage Temperature Range</b>   |                | <b>-22°F to 158°F    -30°C to 70°C</b> |
| <b>Maximum Relative Humidity</b>   |                | <b>100%</b>                            |
| <b>Overall Dimensions</b>          |                | <b>4.5" H x 4.5" L x 4.4" D</b>        |
| <b>Product Weight (unpacked)</b>   |                | <b>1.4 lbs.</b>                        |

### Performance Specifications

|                                  |                |                                |
|----------------------------------|----------------|--------------------------------|
| <b>FM Sensitivity</b>            |                | <b>&lt;5<math>\mu</math>V</b>  |
| <b>AM Sensitivity</b>            |                | <b>&lt;63<math>\mu</math>V</b> |
| <b>Output Power</b>              | <b>RMS</b>     | <b>15 W x 4</b>                |
|                                  | <b>Maximum</b> | <b>40 W x 4</b>                |
| <b>Total Harmonic Distortion</b> |                | <b>1 %</b>                     |
| <b>Applied Test Suite</b>        |                | <b>ASA ES0001</b>              |
| <b>Regulatory Certifications</b> |                | <b>FCC Part 15; CE; RoHS</b>   |