

ART. NR. B00042301

Pyrometer

Specific LinkUp variant designed to interface the Veratron Pyrometer thermocouple (N03-320-264)

- High precision probe for exhaust gas temperature (EGT) measurement
- Electrically compensated wires
- Extremely high temperature resistance
- Early warning of situations that are potentially dangerous for the engine!
- Helps preventing severe damages to the engine
- Can also be used as a guide for optimizing fuel economy



THE KIT INCLUDES

- 1 Link-Up Pyrometer (B000423)
- 2 6m extension cable with high temperature resistance included (B000632)
- 3 Pyrometer thermocouple (N03-320-264)

NMEA PGNS

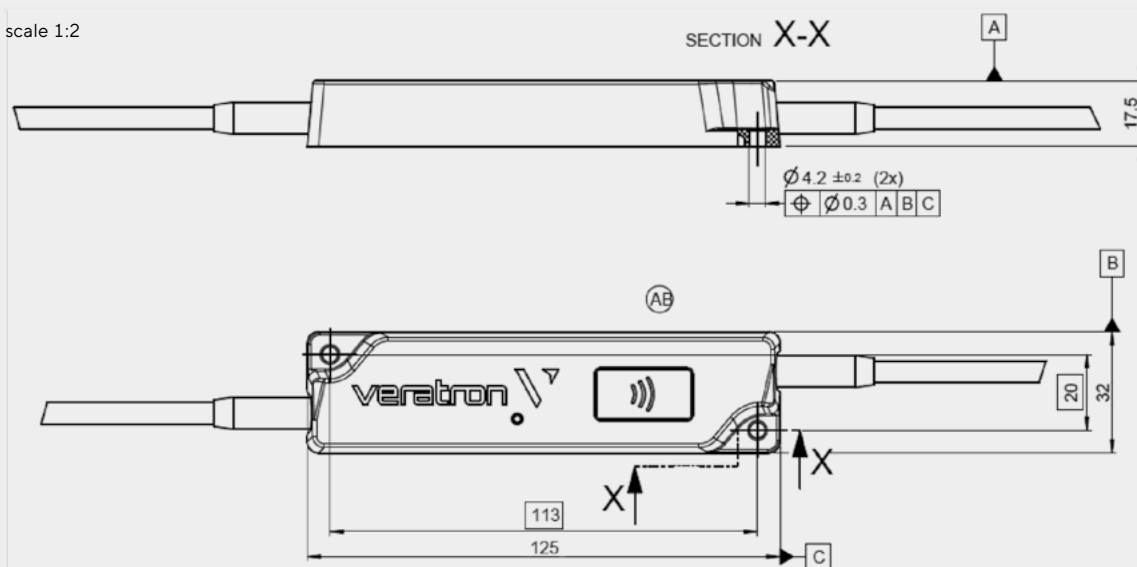
Exhaust Temperature 130316



LinkUp reduces wiring, is fast, powerful and cost-effective

DIMENSIONS

Illustration in scale 1:2



THE LINKUP SERIES

LinkUp Resistive

B00042201

LinkUp 2-in-1

B00070501

LinkUp Pyrometer

B00042301

LinkUp J1939

B00042401

LinkUp IBS 12V and 24V

B00042501-02 / B00070401

**OUTDOOR INSTRUMENTATION
ENGINEERED IN SWITZERLAND**



Veratron AG / Industriestrasse 18 / 9464 Rüthi / Switzerland
T +41 71 7679 111 / info@veratron.com / veratron.com

The information provided in this brochure contains only general descriptions or performance characteristics, which do not always apply as described in case of actual use or which may change as a result of further development of the products. This information is merely a technical description of the product. It is not meant or intended to be a special guarantee for a particular quality or particular durability. An obligation to provide the respective characteristics shall only exist if expressly agreed in the terms of contract. We reserve the right to make changes in availability as well as technical changes without prior notice.

Veratron AG / English © 2021