



4" 2-1, 65 MPH Speedometer & Fuel Studded Connectors

IS0415

Rev. A, L149 - 01/2020

Installation Manual

Caution

Disconnect the battery during installation.

Tighten nuts on the back clamp only slightly more than you can tighten with your fingers. Six inch-pounds of torque are sufficient. Over tightening may result in damage to the instrument and void your warranty.

Use stranded, insulated wire not lighter than 18 AWG. Be certain wire insulation is not in danger of melting from engine or exhaust heat or interfering with moving mechanical parts. It is recommended that insulated wire terminals, preferably ring type be used.



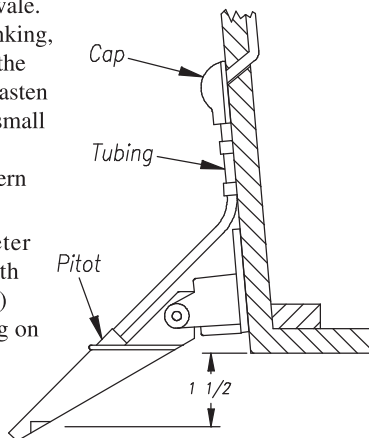
Scale may vary depending on model.

Installation

1. Disconnect the battery.
2. Cut a 3 3/8" (86mm) diameter hole in the dash allowing a clearance of 3" (80 mm) for wires. Mount the instrument with the back-clamp supplied. Use the supplied washers and nuts.
3. Connect a wire to the stud marked "S" (signal) and secure with a nut and lockwasher. Connect the opposite end to the fuel level sender's signal wire or terminal.
4. Connect a wire to the gauge stud marked "I" (ignition) and secure with a nut and lockwasher. Connect the opposite end to a 12VDC circuit that is activated by the ignition switch.
5. Connect a wire to the stud marked "GND" (ground) and secure with a nut and lockwasher. Connect the opposite end to the boat's electrical ground, generally available in several locations at or near the instrument panel.
6. Connect the blade terminal adjacent to the twist-out light assembly to the positive (+) side of the instrument lighting circuit. No separate ground is required for lighting. Reconnect the battery.

Pitot Install

7. Locate and install the pitot tube assembly on the transom in a vertical position, at least 6" away from the propeller blade tips. The intake hole must also be 1-1/2" or more below the bottom of the hull. Do not place behind any runner or keel as this will affect it's accuracy.
8. Locate a convenient place above the water line to bring the tubing through. Drill a 1/4" hole at this location and pull the tubing through. Use a marine sealer on the cap plate and draw the plate tight against the transom using the screws provided. Press the tubing fully onto the male fitting on pitot assembly. Gasket cement or other adhesive is not required to secure tubing to fittings.
9. Run tubing along inside of gunwale. Avoid sharp turns, crimping, kinking, or other forces that may reduce the inside diameter of the tubing. Fasten tubing at regular intervals with small plastic clips supplied. A slight downward slope from bow to stern will help avoid trapping water.
10. After installing the speedometer in the dash, cut tubing to length (leave a small amount of slack) and press fully onto male fitting on back of speedometer.



NOTE: To change light bulb, twist socket assembly one-eighth turn counterclockwise until it disengages. Bulb pulls straight out of assembly. GE series instrument lamp.

Parts

QTY	DESCRIPTION
1	4-Inch Speed & Fuel
1	Mounting Bracket (BC0113)
5	#8 Lockwasher (LW0017)
5	#8-32 3/8 Hex nut (NT0065)
2	#8 Washer (WS0035)

Note: Extra hardware may be left over after install.

Wiring Diagram

