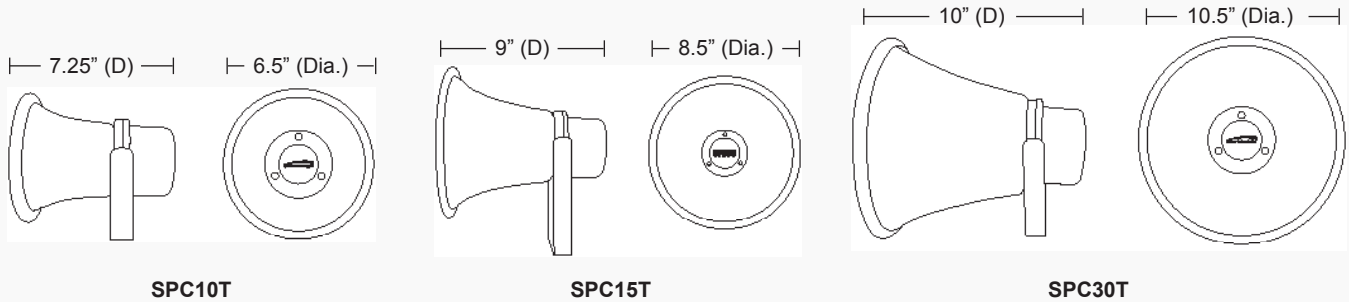


## Contractor Series 70/25V Weather Resistant P.A. Horn Speakers

- SPC10T** 6.5" Weather-Resistant Aluminum P.A. Horn - 70/25V
- SPC15T** 8.5" Weather-Resistant Aluminum P.A. Horn - 70/25V
- SPC30T** 10.5" Weather-Resistant Aluminum P.A. Horn - 70/25V

### Features

- Weather-resistant, aluminum construction
- Includes mounting bracket
- Rubber bell protector
- Selectable 70/25V transformer dial
- Manufactured to comply with RoHS standards
- 2 year warranty



### Specifications

	SPC10T	SPC15T	SPC30T
RMS Power .....	10W	15W	30W
Max. Power.....	20W	30W	60W
Transformer Type.....	70/25V	70/25V	70/25V
Transformer Power Taps .....	70V: 10W, 5W, 3W, 1W 25V: 10W, 5W, 1.3W, 0.6W, 0.4W, 0.1W	70V: 15W, 10W, 5W, 3W, 1W 25V: 15W, 10W, 3.7W, 1.9W, 1.3W, 0.6W, 0.4W, 0.1W	70V: 30W, 15W, 10W, 5W, 3W, 1W 25V: 30W, 15W, 10W, 3.7W, 1.9W, 1.3W, 0.6W, 0.4W, 0.1W
Termination Type .....	Wire strip	Wire strip	Wire strip
Sensitivity (1W/1M).....	103dB	105dB	107dB
Maximum SPL (Pmax/1m).....	113dB	117dB	122dB
Driver Impedance .....	8 Ohms	8 Ohms	8 Ohms
Magnet.....	4.1 oz. ferrite	4.9 oz. ferrite	5.3 oz. ferrite
Frequency Response Range .....	500Hz ~ 15kHz	450Hz ~ 15kHz	350Hz ~ 15kHz
Dispersion@100Hz .....	65° conical	75° conical	86° conical
Speaker Dimensions .....	6.5" (Dia.) x 7.25" (D)	8.5" (Dia.) x 9" (D)	10.5" (Dia.) x 10" (D)
Weight .....	2.6 lbs.	3.2 lbs.	3.9 lbs.
Material.....	Aluminum	Aluminum	Aluminum
Color.....	Grey	Grey	Grey

Speco Technologies is constantly developing and improving products. We reserve the right to modify product design and specifications without notice and without incurring any obligation. Spec Rev. 5/23/19