

*\*refer to product manual for proper installation requirements*

# Dock Boost Transformer (12-24 kVA)

The Dock Boost Transformer (DBT) provides precision voltage regulation to the vessel, delivering complete protection from the most common shore power problems, including: brownouts, spikes, sags, and low-line or high-line voltage conditions from the dock power pedestal. The DBT also provides Three levels of boost to keep your ship powered even when input voltages sag by 35%.

The DBT features a compact and lightweight footprint. By providing an industry recognized mounting pattern, it will fit as the perfect replacement for retrofit applications or new construction.

The DBT12/15 accepts any input voltage ranging from 167 V-270 V (47-70 Hz) and provides a Split phase 120/240V or 115/230 V output nominal. The DBT24 accepts nominal voltages of 230, 400V and 480V - each with the same wide range - to provide a 115/230V Split phase output.



## Compact and Lightweight

Industry recognized mounting pattern



## Durable Design

Conformal printed circuit boards and steel housing



## Wide Voltage Acceptance

Accepts 167 V-270 V, 400 V, and 480 V

### POWER RANGE



COMMONLY INSTALLED ON



CRUISERS (10 to 16 meters)



YACHTS (17 to 23 meters)



SUPERYACHTS (24 to 45 meters)



MEGAYACHTS (46-65 meters)



GIGAYACHTS (66 to 90 meters)

## MORE FEATURES

- Auto-Restart from shore brownout, blackout and overload
- Fault shield for bonded, galvanic bridged/isolated ground
- Modbus (RS-485) remote diagnostics
- Advanced power monitoring (input/output parameters)
- kWh meter
- Microprocessor based over and under voltage/ current protection

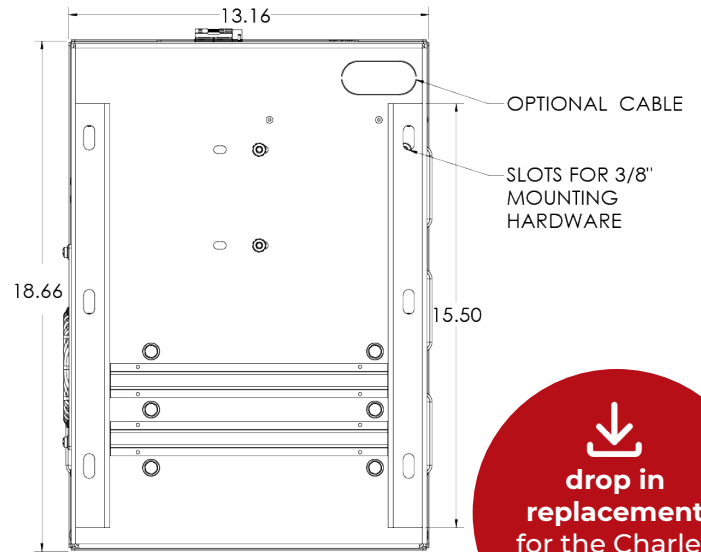
# Dock Boost Transformer (12-24 kVA)

## The perfect replacement for the Charles Iso-Boost™

The Charles Iso-Boost™ was arguably the most popular boosting transformer in the marine industry. In late 2016, Charles refocused on telecommunications and enclosures and discontinued the Iso-Boost™. As distributors' supplies of the legacy product dwindled, few alternatives matched or surpassed the isolation transformer boat builders and end users alike had grown to know and love.

With a sizeable market hungry for a proper replacement, ASEA Power Systems set to work engineering a smart isolation transformer; their efforts resulted in the original Dock Boost Transformer (DBT12). In early 2018, ASEA launched the product to be measured up against its beloved predecessor.

The first generation DBT surpassed the Charles Iso-Boost™ with flying colors; a wider input voltage range, smaller footprint, tighter voltage regulation and 46% weight decrease has made the unit not only the perfect replacement, but an undeniable upgrade. The product has been installed in retrofits and new builds across the Americas yielding an overwhelmingly positive response.



ASEA collected and reviewed voice of customer feedback to develop an expansion plan for the Dock Boost Transformer family. The extended line includes DBTs with paralleling capability, increased power levels, and compatibility with international power standards.

Along with paralleling capability, new features include a CPU board with enhanced capabilities for communications and monitoring, auto-restart after latching, data capture of shutdown events to aid troubleshooting, and an increased programmed trip limit to allow for the start of heavy duty loads such as AC units.

| SPECS           | DOCK BOOST TRANSFORMER            |         | ISO-BOOST                         |
|-----------------|-----------------------------------|---------|-----------------------------------|
| Input Current   | 50 amps continuous                | ✓       | 50 amps continuous                |
| Input Voltage   | 167-264 VAC                       | wider   | 167-255 VAC                       |
| Output Voltage  | 207-264 VAC                       | ✓       | 192-255 VAC                       |
| Power Level     | 12 kVA                            | ✓       | 12 kVA                            |
| Boosting Levels | 3 taps                            | smarter | 1 tap                             |
| Frequency       | 50/60 Hz                          | ✓       | 50/60 Hz                          |
| Dimensions      | 30 x 33 x 47 cm / 12 x 13 x 19 in | smaller | 30 x 38 x 45 cm / 12 x 15 x 18 in |
| Weight          | 58 kg / 127 lbs                   | lighter | 107 kg / 235 lbs                  |

Costa Mesa, CA, USA  
 sales@aseapower.com  
 +1 (714) 896-9695  
 www.aseapower.com



# Dock Boost Transformer (12-24 kVA)

| MODEL                      | DBT12             | DBT15             |               | DBT24             |                  |
|----------------------------|-------------------|-------------------|---------------|-------------------|------------------|
| PART NUMBER                | 628009            | 628002            |               | 628004            |                  |
| INPUT POWER FORM           | Single            | Single            | Single        | Single            | Single           |
| INPUT VOLTAGE              | 167-270           | 167-270           | 167-270       | 167-270, 285-530  | 167-270, 285-530 |
| INPUT FREQUENCY            | 57-70 Hz          | 47-53 Hz          | 57-70 Hz      | 47-53 Hz          | 57-70 Hz         |
| INPUT CURRENT, CONTINUOUS  | 50 A              | 63 A              | 50 A          | 100 A             | 100 A            |
| INPUT CURRENT, OVERLOAD    | 125 A             | 156 A             | 125 A         | 250 A             | 250 A            |
| SHORE CORD INPUT           | Single            | Single            | Single        | Single            | Single           |
| OUTPUT POWER RATING        | 12 kVA            | 15 kVA            | 12 kVA        | 24 kVA            | 24 kVA           |
| AUTO RESTART               | Standard          | Standard          | Standard      | Standard          | Standard         |
| OUTPUT POWER FORM          | Split             | Split             | Split         | Split             | Split            |
| OUTPUT VOLTAGE             | 120/240 V         | 115/230 V         | 115/230 V     | 115/230 V         | 115/230 V        |
| OUTPUT FREQUENCY           | same as input     | same as input     | same as input | same as input     | same as input    |
| OUTPUT CURRENT, CONTINUOUS | 50 A              | 63 A              | 50 A          | 100 A             | 100 A            |
| OUTPUT CURRENT, OVERLOAD   | 125 A             | 156 A             | 125 A         | 250 A             | 250 A            |
| EFFICIENCY                 | 97% @ rated load  | 97% @ rated load  |               | 97% @ rated load  |                  |
| COOLING                    | Air               | Air               |               | Air               |                  |
| MOUNTING                   | Floor             | Floor             |               | Floor             |                  |
| SERIES                     | DBT               | DBT               |               | DBT               |                  |
| WEIGHT                     | 58 kg / 128 lbs   | 75 kg / 164 lbs   |               | 194 kg / 427 lbs  |                  |
| HEIGHT                     | 30.6 cm / 12.0 in | 33.1 cm / 13.0 in |               | 41.0 cm / 16.1 in |                  |
| WIDTH                      | 33.4 cm / 13.1 in | 33.4 cm / 13.1 in |               | 49.7 cm / 19.6 in |                  |
| DEPTH                      | 47.4 cm / 18.7 in | 47.4 cm / 18.7 in |               | 62.7 cm / 24.7 in |                  |

Costa Mesa, CA, USA  
sales@aseapower.com  
+1 (714) 896-9695  
www.aseapower.com



*This product can expose you to lead, a chemical which is known to the State of California to cause cancer and/or birth defects or other reproductive harm. For more information, visit [www.P65Warnings.ca.gov](http://www.P65Warnings.ca.gov).*

