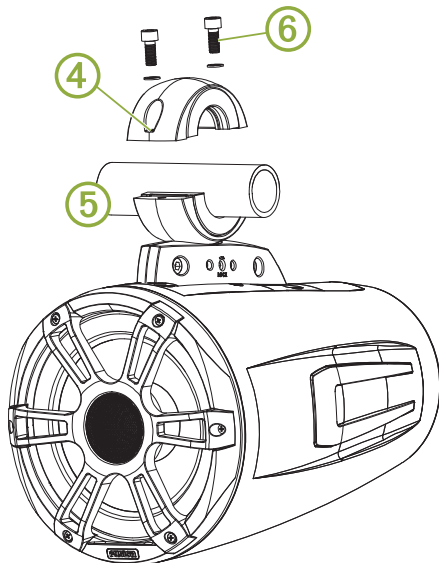


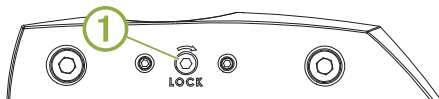
- 8 Using the installation instructions provided with the FUSION Waketower Can speakers, connect the speaker and LED wires.
- 9 Feed the connected wires through the pass-through hole and grommet into the waketower pipe.
- 10 Place the top of the bracket ④ over the pipe ⑤, and hold it against the base of the bracket.



- 11 Attach the top of the bracket to the base of the bracket using the included screws ⑥ with a 6 mm hex driver or hex key.
- 12 Repeat these steps for additional brackets.

Adjusting the Angle of the Speaker

- 1 If necessary, loosen the lock screw ① on the side of the bracket using a 4 mm hex driver or hex key.

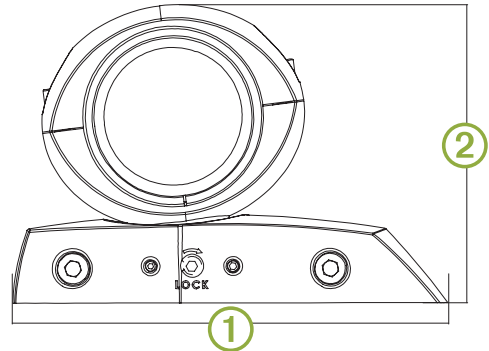


- 2 Adjust the angle of the speaker.
- 3 Tighten the lock screw.

Specifications

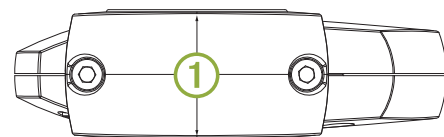
Material	Bracket: aluminum alloy Grommet: silicon Spacer: plastic
Supported waketower pipe sizes	33.4 mm (1.31 in.), 42.2 mm (1.66 in.), 48.3 mm (1.90 in.), 50.8 mm (2.00 in.), 57.2 mm (2.25 in.), 60.3 mm (2.37 in.), and 63.5 mm (2.50 in.) outer diameter using the included spacers

Bracket Side Dimensions



①	174 mm (6 ⁷ / ₈ in.)
②	120 mm (4 ³ / ₄ in.)

Bracket Top Dimensions



①	52 mm (2 ¹ / ₁₆ in.)
---	--