

**Infinity Kappa 6, Kappa 8, and Kappa 10 marine speaker - Owner's Manual**

EN

**Haut-parleur marine Infinity Kappa 6, Kappa 8 et Kappa 10 - Mode D'emploi**

FR

**Altavoz para entornos marinos Infinity Kappa 6, Kappa 8 y Kappa 10 - Manual de Propietario**

ES

**Infinity Kappa 6、Kappa 8 和 Kappa 10 船用扬声器 - 用户手册**

CHS

**Infinity Kappa 6、Kappa 8 和 Kappa 10 船載喇叭 - 擁有者手冊**

CHT

**Marine speaker laut Infinity Kappa 6, Kappa 8, dan Kappa 10 - Panduan Pengguna**

ID

**Infinity(インフィニティ) Kappa 6、Kappa 8、Kappa 10マリーン・スピーカー - 取扱説明書**

JP

**Infinity Kappa 6, Kappa 8 및 Kappa 10 Marine 마린 스피커 - 사용자 설명서**

KR

## THANK YOU FOR YOUR PURCHASE . . .

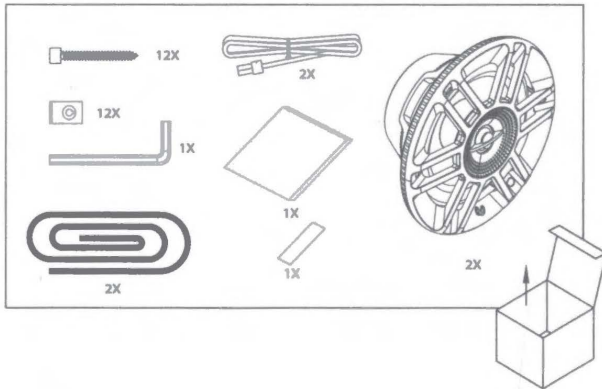
Your Infinity product has been designed to provide you with the performance and ease of operation you would expect from Infinity.

## ABOUT THE MANUAL

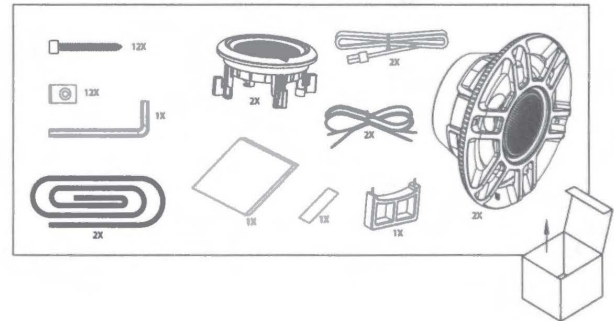
This manual describes general installation guidelines. However, please note that proper installation of marine audio components requires qualified experience. If you do not have the knowledge and tools to successfully perform this installation, we strongly recommend consulting an authorized Infinity dealer about your installation options. Keep all instructions and sales receipts for reference.

## WHAT'S IN THE BOX

### Kappa 6

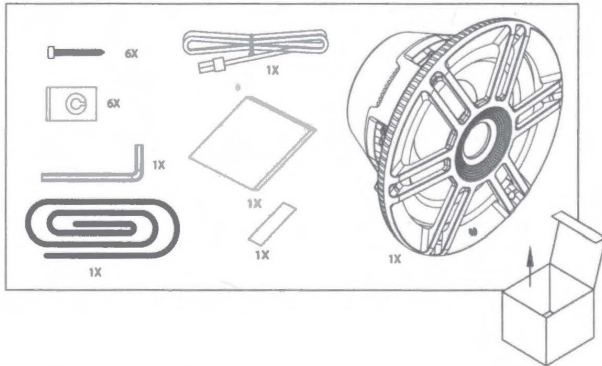


### Kappa 8



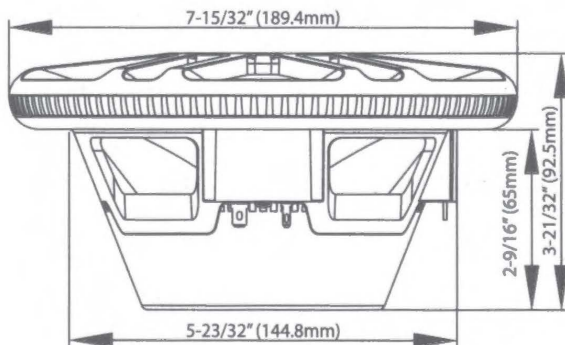
### Kappa 10

EN

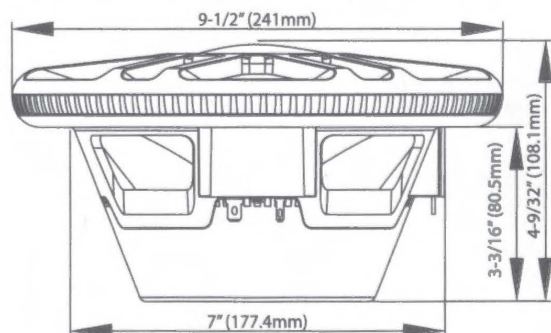


## DIMENSIONS

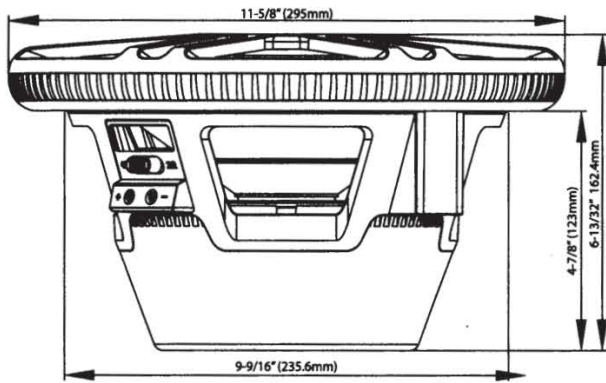
### Kappa 6



### Kappa 8

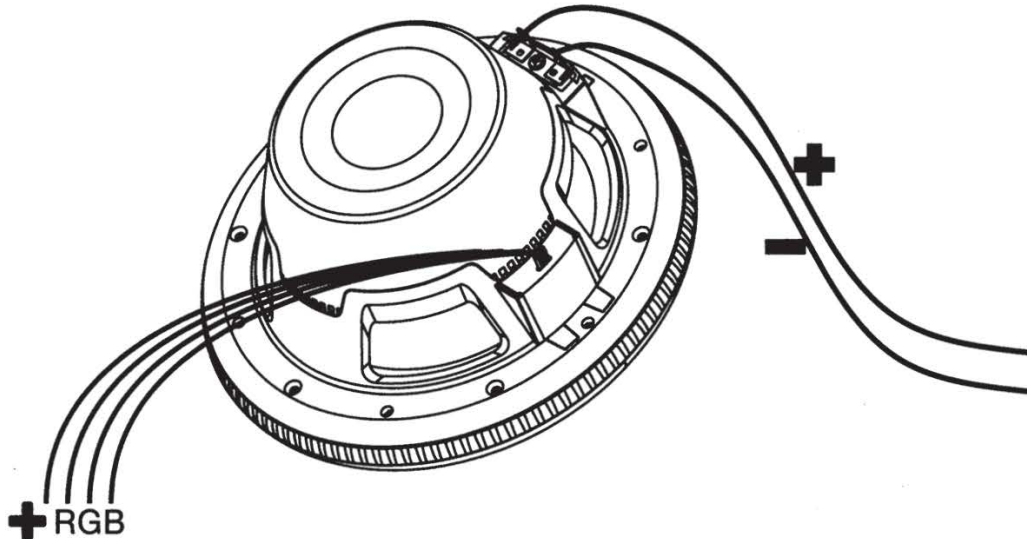


## Kappa 10



### SPEAKER SIGNAL WIRING

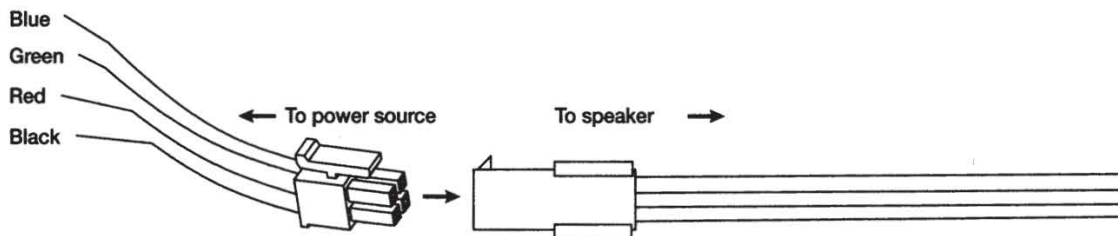
To send signal to the Infinity marine speaker, connect the positive (+) and negative (-) speaker wires to the appropriate speaker outputs of your source unit or amplifier. Be sure to observe proper polarity.



EN

### SPEAKER LED WIRING

To provide power for the LEDs, plug the 24-gauge black (+), blue, green, and red LED wires from the speaker into the included female connector, then run the wires from the female connector to your compatible 12-volt power source or light controller (sold separately). If using a separate controller, be sure to connect each wire to the proper output.



If hardwiring the LEDs directly to your power source, you can choose the color of the LEDs by connecting the black wire to the positive (+) terminal, and the appropriate R, G, and/or B single wire or combination of wires to the negative (-) terminal.

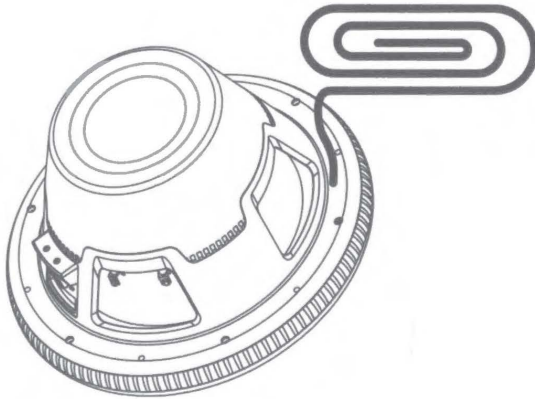
There are 7 possible colors, depending on the wiring configuration you choose:



Wire connected to positive (+12V) terminal	Wire connected to negative (-) terminal	Color produced
Black	Red	Red
	Green	Green
	Blue	Blue
	Red + Green	Yellow
	Red + Blue	Purple
	Blue + Green	Aquamarine
	Red + Blue + Green	White

### APPLYING FOAM SEAL

To help seal your installation against water, and to provide an airtight acoustic seal, apply the self-adhesive foam seal to the speaker frame.



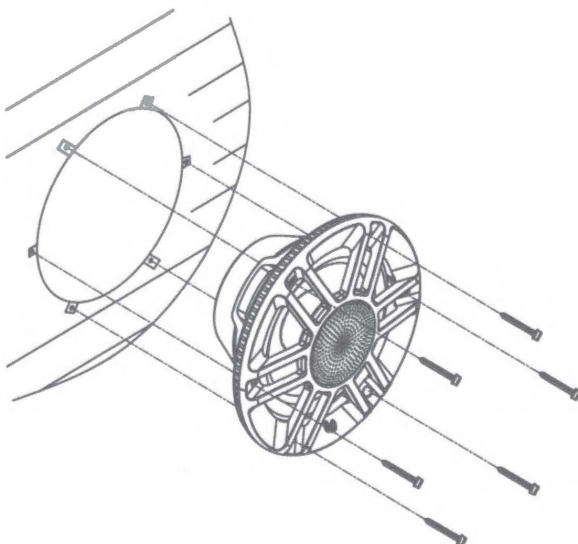
EN

### MOUNTING THE SPEAKER

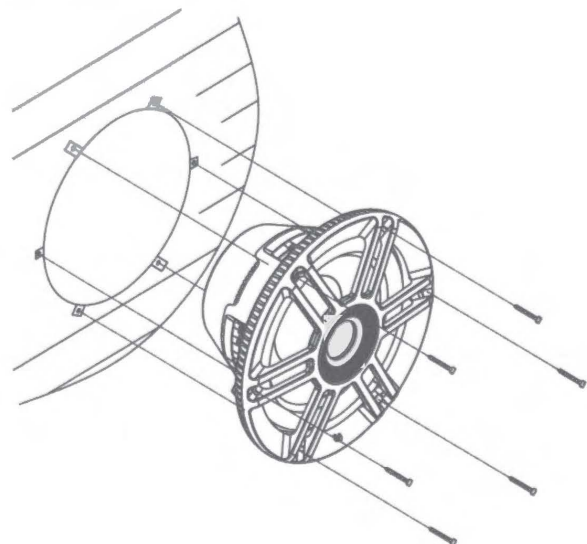
Use the included screws to mount the speaker to the location. Use the included speed clips if necessary to provide a secure mount.

**NOTE:** Use caution when cutting and using screws with fiberglass to prevent scratches and cracks.

#### Kappa 6 and Kappa 8

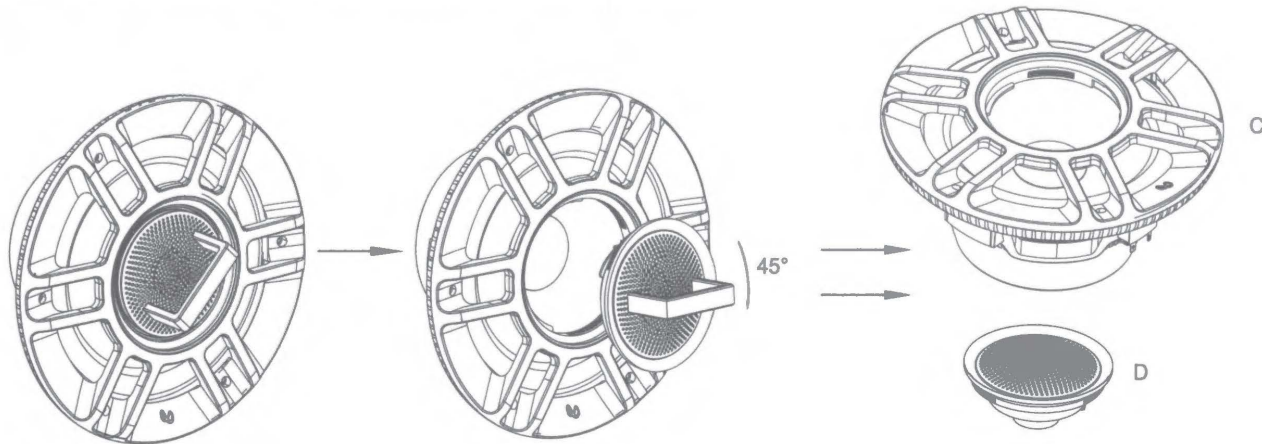


#### Kappa 10



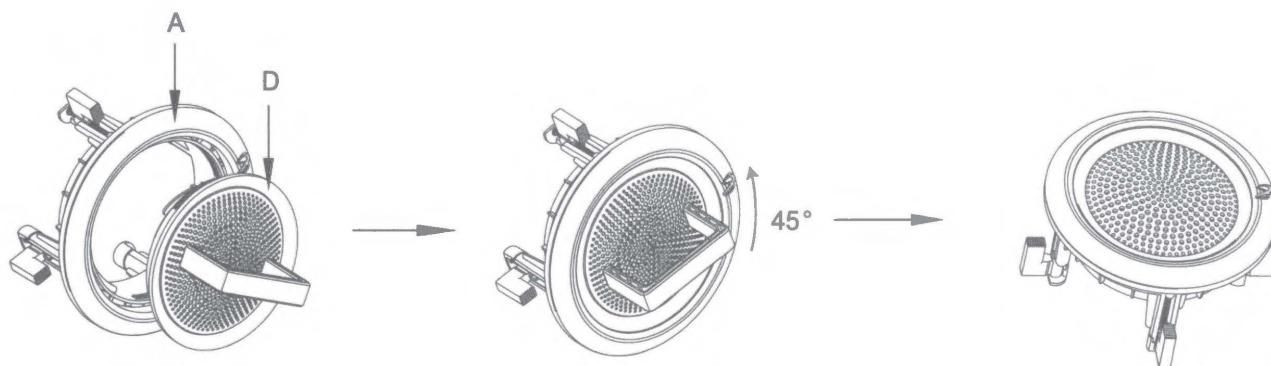
## REMOVING THE TWEETER FOR SEPARATE MOUNTING (KAPPA 8 ONLY)

Use the included 2-pin tool to remove the tweeter from the woofer housing. Place the pins of the tool in the holes of the tweeter grille and rotate 45 degrees clockwise to loosen and remove.



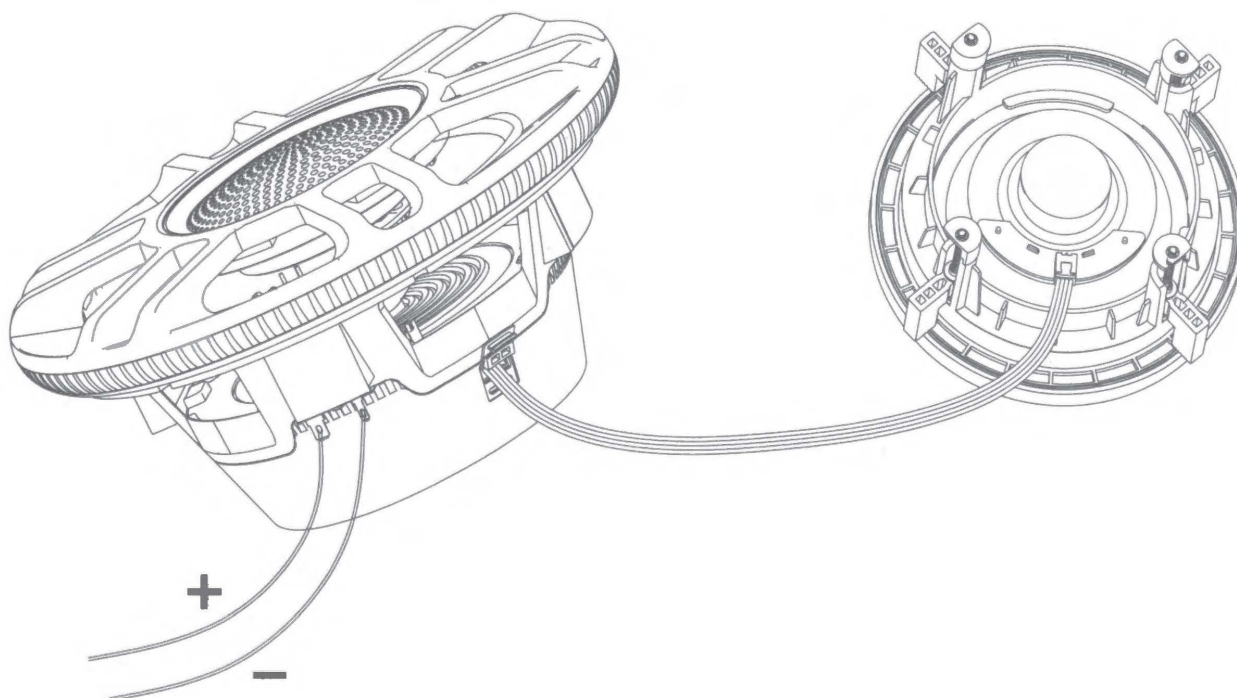
## FLUSH-MOUNTING THE TWEETER

Place the tweeter in the mounting bracket and use the tool to secure by turning 45 degrees counter-clockwise.

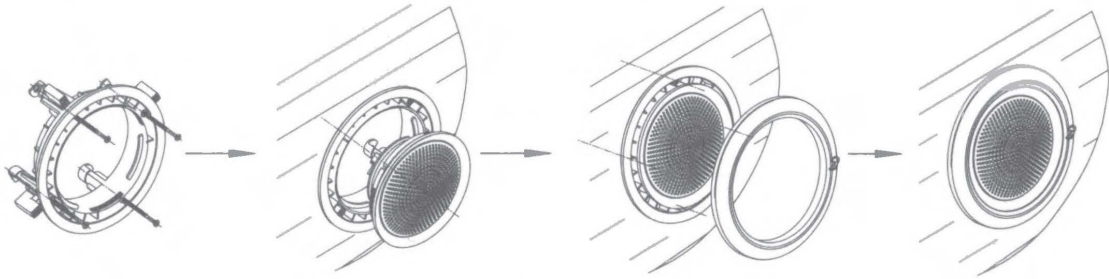


EN

To transmit audio signal to the tweeter, make sure the woofer and tweeter are connected with the included cable.



Place the tweeter in the mounting location, then turn each setscrew clockwise to tighten mounting brackets. Use caution so as not to overtighten. Snap the included outer ring over the mounting bracket to hide the setscrews.



Specifications	Kappa 6	Kappa 8	Kappa 10
Continuous power handling	100W	200W	300W
Peak power handling	300W	500W	900W
Frequency response	40Hz – 25kHz	30Hz – 22kHz	20Hz – 2kHz
Nominal impedance	3 Ohms*	3 Ohms*	2 or 4 Ohms (use switch to select)
Sensitivity	92dB	92dB	89dB
External diameter	7-15/32" (189.4mm)	9-1/2" (241mm)	11-5/8" (295mm)
Mounting cutout diameter	5-23/32" (144.8mm)	Woofer: 7" (177.4mm) Tweeter bracket: 4-9/16" (115.9mm)	9-9/16" (235.6mm)
Total depth	3-21/32" (92.5mm)	4-9/32" (108.1mm)	6-13/32" (162.4mm)
Mounting depth	2-9/16" (65mm)	3-3/16" (80.5mm)	4-7/8" (123mm)

EN

\*NOTE: Because of the woofer's low impedance, do not wire two or more in parallel to an amplifier; doing so can result in overheating and damage to the amplifier.



HARMAN International Industries,  
Incorporated 8500 Balboa Boulevard,  
Northridge, CA 91329 USA  
[www.infinityspeakers.com](http://www.infinityspeakers.com)

© 2018 HARMAN International Industries, Incorporated. All rights reserved.  
Infinity is a trademark of HARMAN International Industries, Incorporated,  
registered in the United States and/or other countries. Features, specifications  
and appearance are subject to change without notice.



# INFINTY KAPPA 6120M

SPEAKER TEMPLATE  
PRINT AT 100% SCALE

