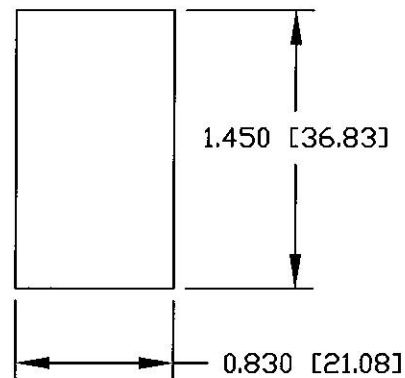
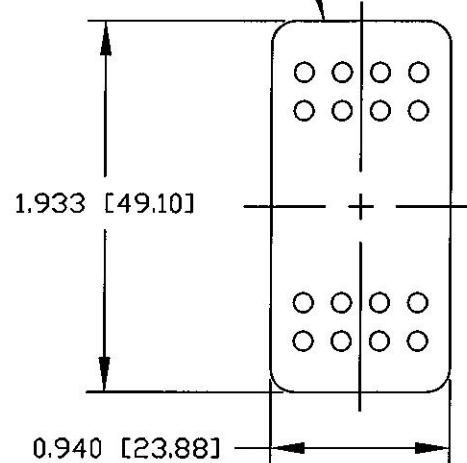


MOUNTING HOLE DETAIL

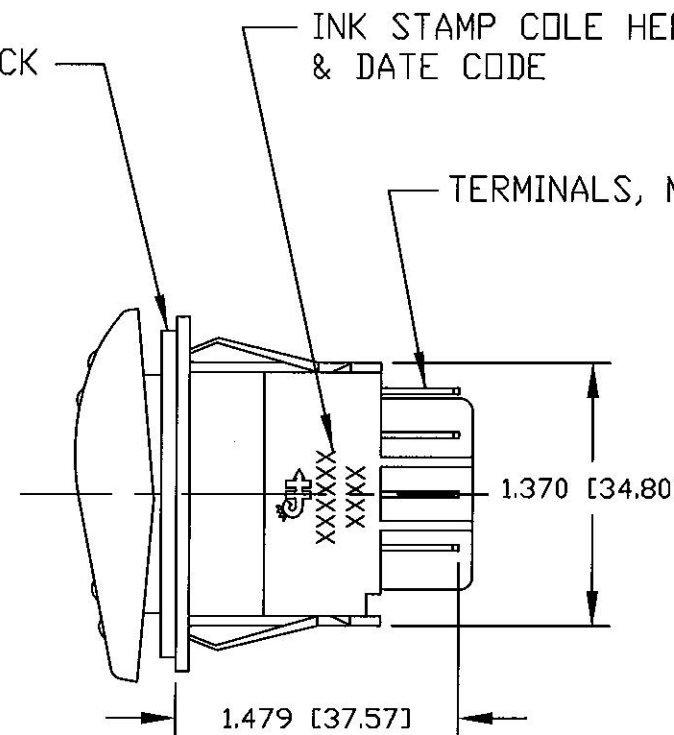


ROCKER COLORS	
BLACK	
GRAY	
RED	
WHITE	
IMPRINT COLORS	
BLACK	
WHITE	

ROCKER, PLASTIC, COLOR CHARTED

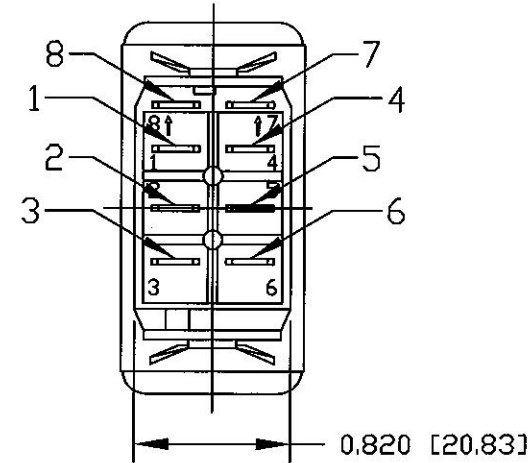


BEZEL, PLASTIC, BLACK

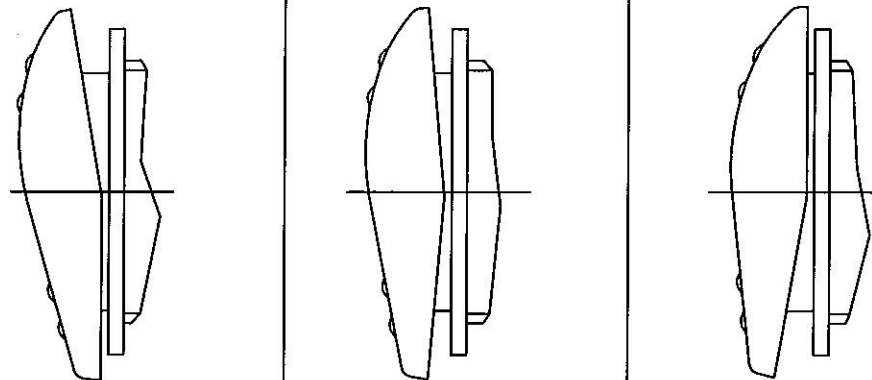


INK STAMP COLE HERSEE LOGO, & DATE CODE

TERMINALS, MALE BLADE, 0.250 [6.35] WIDE

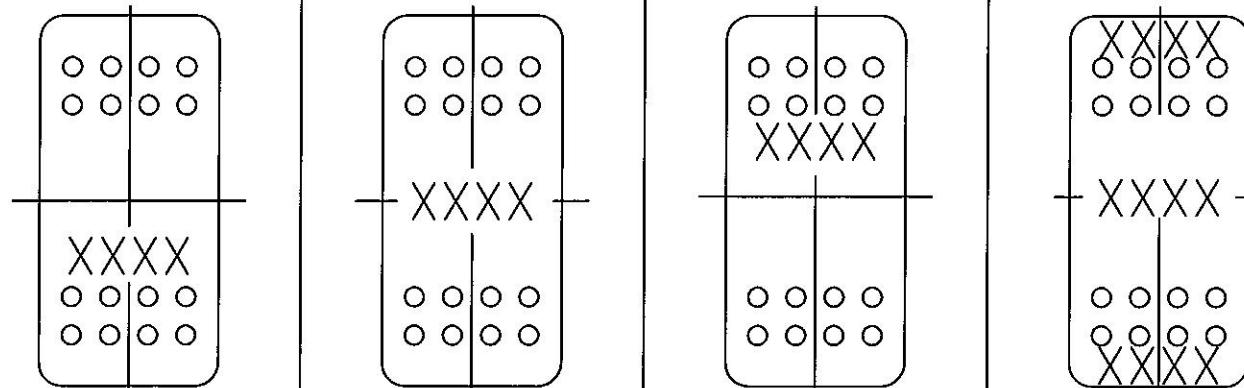


ROCKER POSITIONS



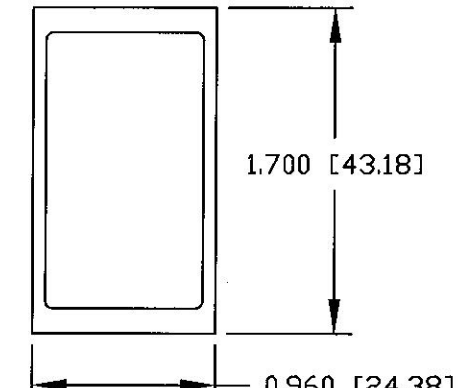
POSITION A POSITION B POSITION C

IMPRINTING LOCATION



LOCATION D LOCATION E LOCATION F LOCATION G

PANEL SEAL



P/N 98567

Revision Control Record

Rev.	Description of Change	ECN No.	Date	Rev.	Description of Change	ECN No.	Date
B	ADD -12	08775	12/17/08				

Tolerances Unless otherwise specifically noted, the following are default tolerances:
2-places +/- 0.02" **3-places +/- 0.005"** **Angular +/- 1°**
 Metric: Shown in [] refers to equivalent English Dim Tol
 "REF." or an Asterisk (*) = Non-Toleranced Reference Dimension, shown for clarification purposes only.
 NOTE: All tolerances are Non-Cumulative.

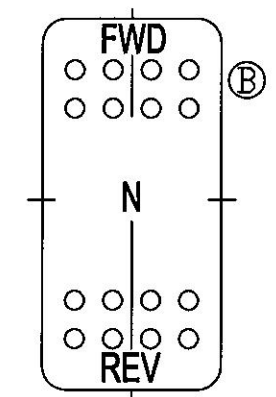
PROPRIETARY INFORMATION
 This Engineering Drawing, and the information contained herein, is proprietary to Cole Hersee Company and may not be disclosed, re-produced, or in any other way transferred or communicated to any other party without the express written consent of an authorized representative of Cole Hersee Company.

Special Characteristics:
 Critical Characteristic, relating to Safety and/or Regulatory Compliance
 Significant Characteristic relating to Process Control
 Control Dimension relating to Form-Fit - Function as defined by Cole Hersee Company and/or the Customer

Cole Hersee Co.
 20 Old Colony Ave., South Boston, MA, 02127
 Phn: 617-268-2100 Web: www.colehersee.com

Description:
ROCKER SWITCH
 Drawing / Part No.: **M-58031, CHART** Current Rev. **B**

M-58031-12 [ⓑ]	SPDT	ON 1 & 2	OFF	ON 2 & 3	BLACK	1, 2 & 3	YES	FWD N REV	G	WHITE	NO SEAL
M-58031-11	SPST	OFF	NONE	MOM 2 & 3	BLACK	2 & 3	YES		E	WHITE	NO
M-58031-10	SP	5 & 6	5 & 3	5 & 1	BLACK	1, 3 5 & 6	YES		F	WHITE	NO
M-58031-09	DPDT	MOM 1 & 2 4 & 5	OFF	MOM 2 & 3 5 & 6	BLACK	1, 2 & 3 4, 5 & 6	YES				NO
M-58031-08	SPDT	MOM 1 & 2	OFF	MOM 2 & 3	BLACK	1, 2 & 3	YES				NO
M-58031-07	SPST	OFF	NONE	MOM 2 & 3	BLACK	2 & 3	YES				YES
M-58031-06	DPDT	1 & 2 4 & 5	NONE	2 & 3 5 & 6	BLACK	1, 2, 3, 4, 5 & 6	YES				NO
M-58031-05	DPDT	1 & 2 4 & 5	OFF	2 & 3 5 & 6	BLACK	1, 2, 3, 4, 5 & 6	YES				NO
M-58031-04	DPST	OFF	NONE	2 & 3 5 & 6	BLACK	2, 3 5 & 6	YES				YES
M-58031-03	SPDT	1 & 2	NONE	2 & 3	BLACK	1,2 & 3	YES				NO
M-58031-02	SPDT	1 & 2	OFF	2 & 3	BLACK	1,2 & 3	YES				YES
M-58031-01	SPST	OFF	NONE	2 & 3	BLACK	2 & 3	YES				YES
PT NO	TYPE OF SW	POS A	POS B	POS C	ROCKER COLOR	TERMINAL LOCATION	SEALED	IMPRINT SYMBOL	IMPRINT LOCATION	IMPRINT COLOR	PANEL SEAL SHIPPED LOOSE



M-58031-12 ACTUATOR

- NOTES:
1. ALL DIMENSIONS ARE REFERENCE ONLY
 2. SILVERED CONTACT SURFACES
 3. CONTACT RATING:
20 AMPS @ 12V DC
15 AMPS @ 24V DC

Revision Control Record				Rev.	Description of Change	ECN No.	Date	Tolerances Unless otherwise specifically noted, the following are default tolerances: 2-places +/- 0.02" 3-places +/- 0.005" Angular +/- 1'			PROPRIETARY INFORMATION This Engineering Drawing, and the information contained herein, is proprietary to Cole Hersee Company and may not be disclosed, re-produced, or in any other way transferred or communicated to any other party without the express written consent of an authorized representative of Cole Hersee Company.		Special Characteristics: <input checked="" type="checkbox"/> Critical Characteristic, relating to Safety and/or Regulatory Compliance <input checked="" type="checkbox"/> Significant Characteristic relating to Process Control <input checked="" type="checkbox"/> Control Dimension relating to Form - Fit - Function as defined by Cole Hersee Company and/or the Customer		Cole Hersee Co. 20 Old Colony Ave., South Boston, MA, 02127 Phn: 617-268-2100 Web: www.colehersee.com	
Rev.	Description of Change	ECN No.	Date					Metric: Shown in [] refers to equivalent English Dim Tol "REF." or an Asterisk (*) = Non-Toleranced Reference Dimension, shown for clarification purposes only. NOTE: All tolerances are Non-Cumulative.					Description: ROCKER SWITCH			
SEE PAGE 1 FOR REVISION LEVEL								FORM CHT-6 (2/07)		Used On or Ref.:	Scale: 1:1	Drawn BY: MB	Date Drawn:	Pg. 2 of 2	Drawing / Part No.: M-58031, CHART Current Rev.: SEE PG 1	