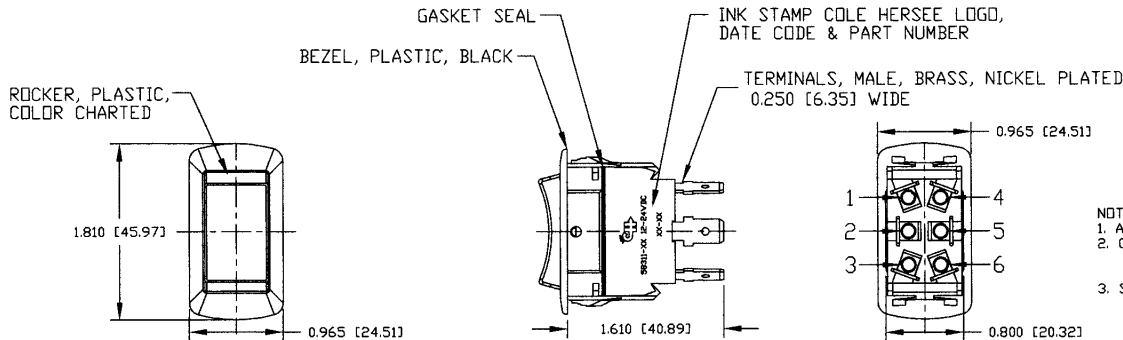


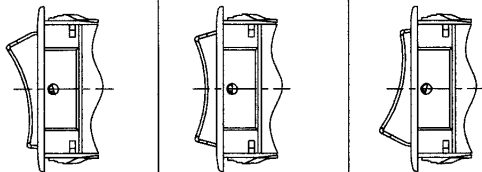
Revision Control Record

Rev.	Description of Change	ECH No.	Date
A	DRAWINGS RELEASE	04325	09/08/04



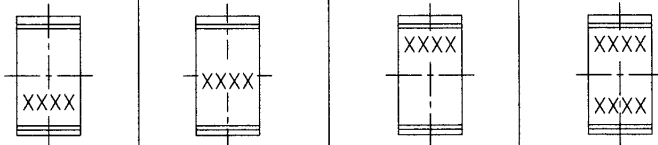
- NOTES:
1. ALL DIMENSIONS ARE REFERENCE ONLY
 2. CONTACTS RATING
25 AMPS @ 12V DC
15 AMPS @ 24V DC
 3. SWITCHES ARE SEALED FOR WEATHER RESISTANCE

ROCKER POSITIONS



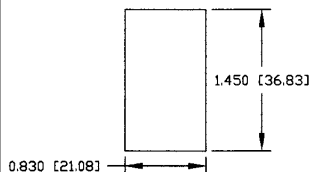
POSITION A POSITION B POSITION C

IMPRINTING LOCATION



LOCATION D LOCATION E LOCATION F LOCATION G

MOUNTING HOLE DETAIL



ROCKER COLORS CHARTED

IMPRINT COLORS
WHITE

Tolerances: Unless otherwise specifically noted, the following are critical tolerances:
 * Unless Decimal Dimensions $\pm .005"$
 * Unless Decimal Dimensions $\pm .002"$
 * Angular Dimensions ± 1.0 Deg.
 * Metric: Refer to appropriate English Dimension Tolerance
 *** NOTE: All tolerances are Non-Consumable. ***

Dimensional Limits: All dimensions are expressed in inches except those shown in brackets (xxx) as expressed in millimeters.

FREE OF UNDESIRABLES: Non-Toleranced Reference Dimension, shown for identification purposes only.

PROPRIETARY INFORMATION: This Engineering Drawing, and the information contained herein, is proprietary to Cole Hersee Company and may not be disclosed, reproduced, or in any other way transmitted or disseminated to any other party without the express written consent of an authorized representative of Cole Hersee Company.

DESIGN CONTROL: It is the responsibility of the individual user/manufacturer to ensure that the noted design revision (and agree with the revision level of the Contract Document (Master Drawing). This is a NON-CONTROLLED DOCUMENT unless otherwise specifically noted.

DO NOT SCALE: Dimensional values may occur during printing/reproduction.

Key for Special Characteristics:

- ⊠ Critical Characteristic, relating to Safety and/or Regulatory Compliance
- ⊠ Significant Characteristic relating to Process Control (SPC)
- ⊠ Control Dimension relating to Form - Fit - Function as defined by Cole Hersee Company and/or the Customer

(Note that the identification of any Characteristic as being "Special" does not alter the requirement that ALL specified dimensions & tolerances must be met.)

Cole Hersee Co.
 20 Old Colony Ave., South Boston, MA, 02127
 Phone 617-268-2100 Web: www.colehersee.com

DESCRIPTION:
ROCKER SWITCH

Drawing/ Part No.: **58311 CHART** Current Rev.: **A**

58311-16	DPDT	OFF	ON 5-6	ON 2 & 3 5 & 6	BLACK	2,3,5&6	YES				
58311-15	SPDT	ON 2 & 1	OFF	M. ON 2 & 3	BLACK	1,2&3	YES				
58311-14	SPST	ON 2 & 1	NONE	M. OFF 2 & 1	BLACK	1&2	YES				
58311-13	DPDT	OFF	ON 5-6	MOM ON 2 & 3 5 & 6	BLACK	2 & 3 5 & 6	YES				
58311-12	DPST	ON 4 & 5 1 & 2	NONE	M.OFF 4 & 5 1 & 2	BLACK	1,2,4& 5	YES				
58311-11	DPDT	ON 1 & 2 4 & 5	OFF	ON 2 & 3 5 & 6	BLACK	1,2,4 & 5	YES				1 & 6 3 & 4
58311-10	SPDT	ON 1 & 2	NONE	MOM ON 2&3	BLACK	1,2 & 3	YES				
58311-09	DPDT	MOM ON 1 & 2, 5 & 4	OFF	MOM ON 2 & 3 5 & 6	BLACK	1,2,3,4,5 & 6	YES				
58311-08	DPDT	ON 1 & 2 4 & 5	NONE	ON 2 & 3 5 & 6	BLACK	1,2,3,4,5 & 6	YES				
58311-07	DPDT	ON 1 & 2 4 & 5	OFF	ON 2 & 3 5 & 6	BLACK	1,2,3,4,5 & 6	YES				
58311-06	DPST	OFF	NONE	ON 2 & 3 5 & 6	BLACK	2 & 3 5 & 6	YES				
58311-05	SPDT	ON 1&2	NONE	ON 2 & 3	BLACK	1,2 & 3	YES				
58311-04	SPDT	MOM. ON 1 & 2	OFF	MOM ON 2 & 3	BLACK	1,2 & 3	YES				
58311-03	SPDT	ON 1 & 2	OFF	ON 2 & 3	BLACK	1,2 & 3	YES				
58311-02	SPST	OFF	NONE	MOM ON 2 & 3	BLACK	2 & 3	YES				
58311-01	SPST	OFF	NONE	ON 2 & 3	BLACK	2 & 3	YES				
PT NO	TYPE OF SW	POS A	POS B	POS C	ROCKER COLOR	TERIMINAL LOCATION	SEALED	IMPRINT SYMBOL	IMPRINT LOCATION	IMPRINT COLOR	BUS/JUMPER
		ROCKER POSITION									

Tolerances Unless otherwise specifically noted, the following are default tolerances:
 * 2-place Decimal Dimensions +/- .02"
 * 3-place Decimal Dimensions +/- .005"
 * Angular Dimensions +/- 1.0 Deg.
 * Metric: Refer to equivalent English Dimension Tolerance
 >>> NOTE: All tolerances are Non-Cumulative. <<<

Dimensional Units All dimensions are expressed in inches except those shown in brackets (xxx) are expressed in millimeters

"REF." or an Asterisk (*) = Non-Toleranced Reference Dimension, shown for clarification purposes only.

Used On or Ref.: EX-28005 Scale: **1:1**

PROPRIETARY INFORMATION This Engineering Drawing, and the information contained herein, is proprietary to Cole Hersee Company and may not be disclosed, re-produced, or in any other way transferred or communicated to any other party without the express written consent of an authorized representative of Cole Hersee Company.

DESIGN CONTROL It is the responsibility of the individual using / referencing this drawing to assure that the noted design revision level agrees with the revision level of the Controlled Document (Master Drawing). This is a NON-CONTROLLED DOCUMENT unless otherwise specifically noted.

DO NOT SCALE - Dimensional variation may occur during printing / reproduction.

Drawn By: **G.A** Date Drawn: **6/13/04**

Key for Special Characteristics:

- Critical Characteristic, relating to Safety and/or Regulatory Compliance
- Significant Characteristic relating to Process Control (SPC)
- Control Dimension relating to Form - Fit - Function as defined by Cole Hersee Company and/or the Customer

(Note that the identification of any Characteristics as being "Special" does not alter the requirement that ALL specified dimensions & tolerances must be met.)

Responsible Engineer: **G.A** Pg. 2 of 3

Cole Hersee Co.
 20 Old Colony Ave., South Boston, MA, 02127
 Phn: 617-268-2100 Web: www.colehersee.com

Description:
ROCKER SWITCH

Drawing / Part No.: **58311** Current Rev. **SEE PAGE ONE**

58311-18	DPDT	MM DN 1&2, 5&4	OFF	MM DN 5&1 2&4	BLACK	1,2,4 & 5	YES				1 & 6 3 & 4
58311-17	DPDT	MM DN 1&2, 5&4	OFF	MM DN 5&1 2&4	BLACK	1,2,4 & 5	YES	FWD REV	D F	WHITE	1 & 6 3 & 4
PT NO	TYPE OF SW	POS A	POS B	POS C	ROCKER COLOR	TERIMINAL LOCATION	SEALED	IMPRINT SYMBOL	IMPRINT LOCATION	IMPRINT COLOR	BUS/JUMPER
		ROCKER POSITION									

Tolerances - Unless otherwise specifically noted, the following apply to all dimensions:

- Unless Dimensional Tolerances are specified
 - Unless Dimensional Tolerances are specified
 - Angular Dimensional Tolerances are ± 1.0 Deg.
 - Metric: Refer to equivalent English Dimensional Tolerance
- >>> NOTE: All tolerances are Non-Cumulative. <<<

Dimensional Units - All dimensions are expressed in inches except those shown in brackets (XX) are expressed in millimeters

REF. TO AN ATTRIBUTE - Non-Tolerance Reference Dimensions, shown for identification purposes only.

Used On or Ref: EX-28005 Scale: 1:1

PROPRIETARY INFORMATION - This Engineering Drawing, and the information contained herein, is proprietary to Cole Hersee Company and may not be disclosed, retransmitted, or in any other way transmitted or communicated to any other party without the express written consent of an authorized representative of Cole Hersee Company.

CONTROL CONTROL - It is the responsibility of the individual using/replicating this drawing to ensure that the stated design revision level agrees with the revision level of the Controlled Document Master Drawing. This is a **CONTROL CONTROL** document unless otherwise specifically noted.

DO NOT SCALE - Dimensional variation may occur during printing/ reproduction.

Drawn By: G.A. Date Drawn: 8/13/04

Key for Special Characteristics:

⊠ Critical Characteristics, relating to Safety and/or Regulatory Compliance

⊡ Significant Characteristics relating to Process Control (SPC)

⊙ Control Dimension relating to Form - Fit - Function as defined by Cole Hersee Company and/or the Customer

Note that the identification of any Characteristics as being "Special" does not alter the requirement that ALL specified dimensions & tolerances must be met.

Responsible Engineer: G.A. Pg. 3 of 3

Cole Hersee Co.
30 Old Colony Ave., South Boston, MA, 02127
Phone 617-268-2100 Web: www.colehersee.com

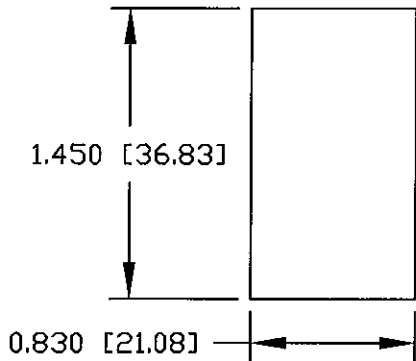
ROCKER SWITCH

Description:
Drawing / Part No.: 58311 CHART
Current Rev.: SEE PAGE ONE

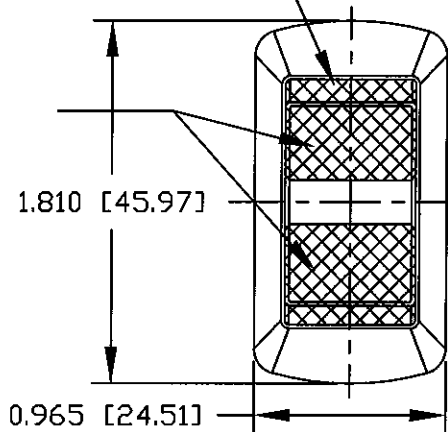
Revision Control Record

Rev.	Description of Change	ECN No.	Date
A	RELEASE DRAWINGS	04324	09/08/04
B	ADDED NEW PARTS; OLD PARTS MODIFIED	09125	05/08/09
C	ADDED NEW PARTS; OLD PARTS MODIFIED	10029	01/12/10

MOUNTING HOLE DETAIL

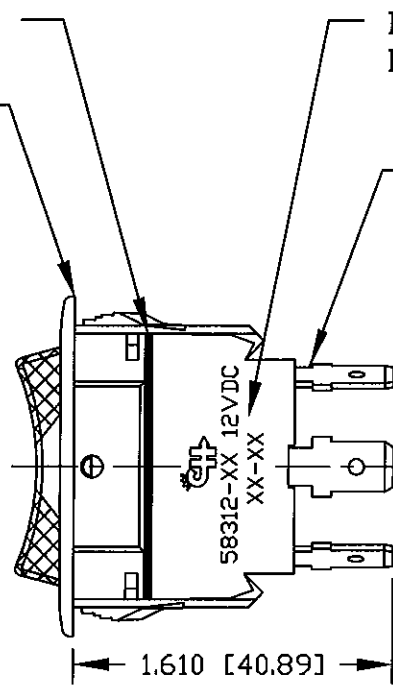


ROCKER, PLASTIC, COLOR CHARTED



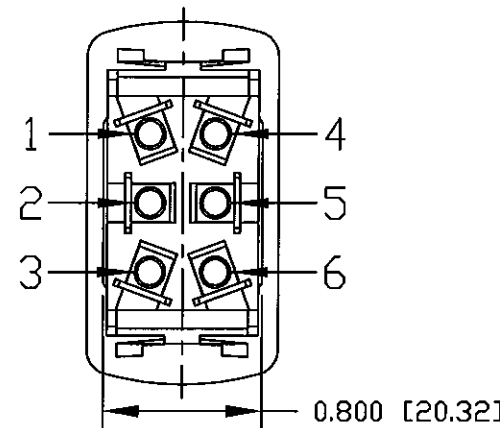
GASKET SEAL

BEZEL, PLASTIC, BLACK



INK STAMP COLE HERSEE LOGO, DATE CODE & PART NUMBER

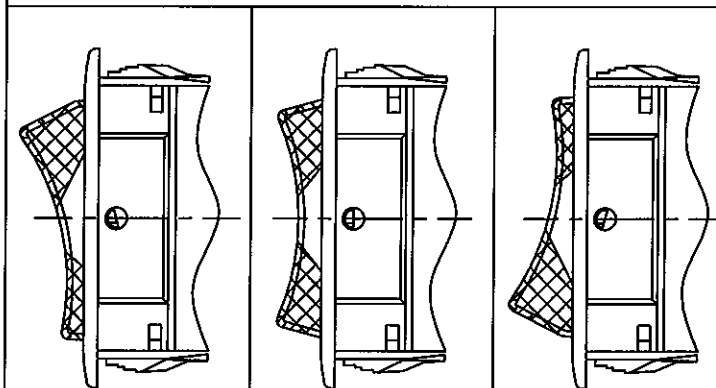
TERMINALS, MALE, BRASS, NICKEL PLATED 0.250 [6.35] WIDE



NOTES:

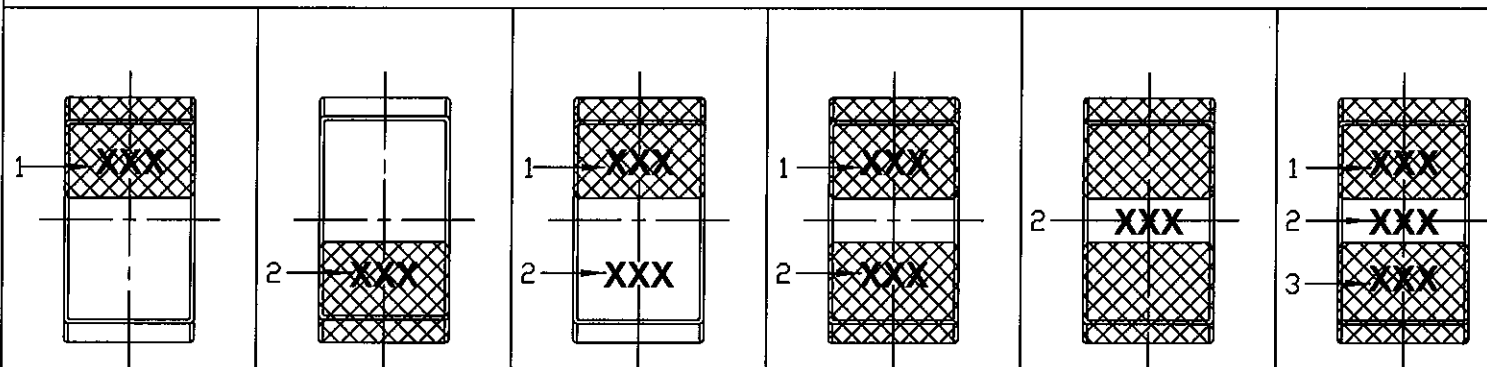
1. ALL DIMENSIONS ARE REFERENCE ONLY
 2. CONTACT RATING: 25 AMPS @ 12V DC
 3. SWITCH FITS IN 0.093 [2.36] THRU 0.187 [4.75] THICK PANEL
 4. ALL SWITCHES ARE SEALED FOR WEATHER RESISTANCE TO IP66.
 5. FOR PILOT LIGHT TYPE, SEE LAMP CHART.
- Ⓟ ALL LED LAMPS TO BE OF "SUPER BRIGHT" INTENSITY UNLESS NOTED OTHERWISE.

ROCKER POSITIONS



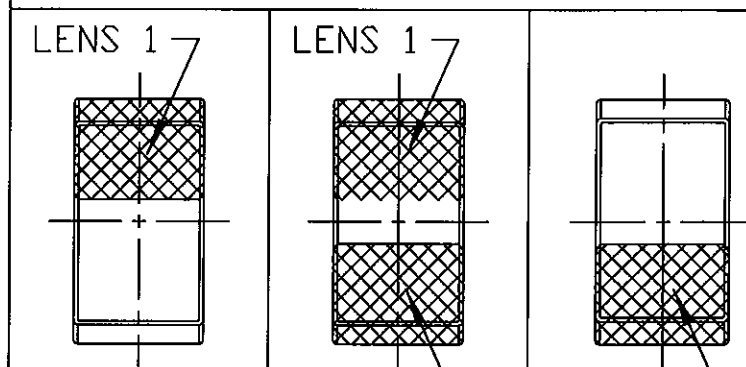
POSITION A POSITION B POSITION C

IMPRINTING LOCATION



LOCATION D LOCATION E LOCATION F LOCATION G LOCATION H LOCATION J

LENS LOCATION



LOCATION K LOCATION L LOCATION M

ROCKER COLORS
CHARTED

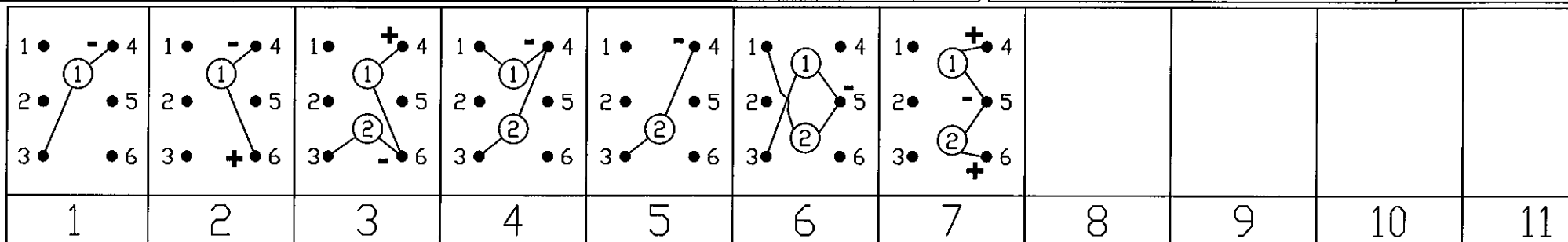
LENS COLORS

AMBER
BLUE
GREEN
RED
CLEAR

IMPRINT COLORS
WHITE

LAMP VOLTAGE

12V DC



PILOT LAMP SCHEMATIC (LAMP LEADS MAY INCLUDE EXTERNAL JUMPERS. ALL SCHEMATICS ASSUME #2 TERMINAL IS B+)

Tolerances Unless otherwise specifically noted, the following are default tolerances:
 * 2-place Decimal Dimensions +/- .02"
 * 3-place Decimal Dimensions +/- .005"
 * Angular Dimensions +/- 1.0 Deg.
 * Metric: Refer to equivalent English Dimension Tolerance
 >>> NOTE: All tolerances are Non-Cumulative. <<<

Dimensional Units All dimensions are expressed in inches except those shown in brackets (xxx) are expressed in millimeters

"REF." or an Asterisk (*) = Non-Tolerance Reference Dimension, shown for clarification purposes only.

PROPRIETARY INFORMATION This Engineering Drawing, and the information contained herein, is proprietary to Cole Hersee Company and may not be disclosed, re-produced, or in any other way transferred or communicated to any other party without the express written consent of an authorized representative of Cole Hersee Company.

DESIGN CONTROL It is the responsibility of the individual using / referencing this drawing to assure that the noted design revision level agrees with the revision level of the Controlled Document (Master Drawing). This is a NON-CONTROLLED DOCUMENT unless otherwise specifically noted.

DO NOT SCALE - Dimensional variation may occur during printing / reproduction.

Key for Special Characteristics:

- Ⓞ Critical Characteristic, relating to Safety and/or Regulatory Compliance
- Ⓧ Significant Characteristic relating to Process Control (SPC)
- Ⓞ Control Dimension relating to Form - Fit - Function as defined by Cole Hersee Company and/or the Customer

(Note that the identification of any Characteristics as being "Special" does not alter the requirement that ALL specified dimensions & tolerances must be met.)



Cole Hersee Co.

20 Old Colony Ave., South Boston, MA, 02127
Phn: 617-268-2100 Web: www.colehersee.com

Description:

ROCKER SWITCH

Drawing / Part No.:

58312 CHART

Current Rev.:

C

Used On or Ref.: **EX-28005**

Scale: **1:1**

Drawn By: **G.A**

Date Drawn: **3/24/04**

Responsible Engineer: **G.Auguste**

Pg. 1 of 4

58312-R3 Ⓟ	SPST	OFF	NONE	M,ON 2 & 3	BLACK	2,3,4 & 6						K	RED		12VDC L.E.D		2	
58312-R2	SPST	OFF	NONE	ON 2 & 3	BLACK	2,3,4 & 6						K	RED		12VDC L.E.D		2	
58312-G2	SPST	OFF	NONE	ON 2 & 3	BLACK	2,3,4 & 6						K	GREEN		12VDC L.E.D		2	
58312-C2	SPST	OFF	NONE	ON 2 & 3	BLACK	2,3,4 & 6						K	CLEAR		12VDC L.E.D		2	
58312-B2	SPST	OFF	NONE	ON 2 & 3	BLACK	2,3,4 & 6						K	BLUE		12VDC L.E.D		2	
58312-A2	SPST	OFF	NONE	ON 2 & 3	BLACK	2,3,4 & 6						K	AMBER		12VDC L.E.D		2	
58312-R1 Ⓟ	SPDT	ON 2 & 1	NONE	ON 2 & 3	BLACK	1,2,3,4 & 6						M		RED	12VDC L.E.D		2	
58312-G1 Ⓟ	SPDT	ON 2 & 1	NONE	ON 2 & 3	BLACK	1,2,3,4 & 6						M		GREEN	12VDC L.E.D		2	
58312-C1 Ⓟ	SPDT	ON 2 & 1	NONE	ON 2 & 3	BLACK	1,2,3,4 & 6						M		CLEAR	12VDC L.E.D		2	
58312-B1 Ⓟ	SPDT	ON 2 & 1	NONE	ON 2 & 3	BLACK	1,2,3,4 & 6						M		BLUE	12VDC L.E.D		2	
58312-A1 Ⓟ	SPDT	ON 2 & 1	NONE	ON 2 & 3	BLACK	1,2,3,4 & 6						M		AMBER	12VDC L.E.D		2	
58312-R	SPST	OFF	NONE	ON 2 & 3	BLACK	2,3 & 4						K	RED		12VDC		1	
58312-G	SPST	OFF	NONE	ON 2 & 3	BLACK	2,3 & 4						K	GREEN		12VDC		1	
58312-C	SPST	OFF	NONE	ON 2 & 3	BLACK	2,3 & 4						K	CLEAR		12VDC		1	
58312-B	SPST	OFF	NONE	ON 2 & 3	BLACK	2,3 & 4						K	BLUE		12VDC		1	
58312-A	SPST	OFF	NONE	ON 2 & 3	BLACK	2,3 & 4						K	AMBER		12VDC		1	
PT NO	TYPE OF SW	POS A	POS B	POS C	ROCKER COLOR	TERMINAL LOCATION	IMPRINT #1	IMPRINT #2	IMPRINT LOCATION	IMPRINT COLOR	LENS LOCATION	LENS 1 LENS 2	LENS 1 LENS 2	LENS 1 LENS 2	LAMP VOLTAGE	LAMP SCHEM	BUS BARS	

Tolerances Unless otherwise specifically noted, the following are default tolerances:
 * 2-place Decimal Dimensions +/- .02"
 * 3-place Decimal Dimensions +/- .005"
 * Angular Dimensions +/- 1.0 Deg.
 * Metric: Refer to equivalent English Dimension Tolerance
 >>> NOTE: All tolerances are Non-Cumulative. <<<

Dimensional Units All dimensions are expressed in inches except those shown in brackets (xxx) are expressed in millimeters

"REF." or an Asterisk (*) = Non-Toleranced Reference Dimension, shown for clarification purposes only.

PROPRIETARY INFORMATION This Engineering Drawing, and the information contained herein, is proprietary to Cole Hersee Company and may not be disclosed, re-produced, or in any other way transferred or communicated to any other party without the express written consent of an authorized representative of Cole Hersee Company.

DESIGN CONTROL It is the responsibility of the individual using / referencing this drawing to assure that the noted design revision level agrees with the revision level of the Controlled Document (Master Drawing). This is a NON-CONTROLLED DOCUMENT unless otherwise specifically noted.

DO NOT SCALE - Dimensional variation may occur during printing / reproduction.

Key for Special Characteristics:

Ⓢ Critical Characteristic, relating to Safety and/or Regulatory Compliance

Ⓧ Significant Characteristic relating to Process Control (SPC)

Ⓞ Control Dimension relating to Form - Fit - Function as defined by Cole Hersee Company and/or the Customer

(Note that the identification of any Characteristics as being "Special" does not alter the requirement that ALL specified dimensions & tolerances must be met.)

Cole Hersee Co.
 20 Old Colony Ave., South Boston, MA, 02127
 Phn: 617-268-2100 Web: www.colehersee.com

Description: **ROCKER SWITCH**

Drawing / Part No.: **58312 CHART**

Current Rev.: **SEE PG 1**

58312-RR2 Ⓟ	SPDT	ON 2 & 1	NONE	ON 2 & 3	BLACK	1,2,3 & 4					L	RED	RED	12VDC L.E.D	12VDC L.E.D	4	
58312-RG2 Ⓟ	SPDT	ON 2 & 1	NONE	ON 2 & 3	BLACK	1,2,3 & 4					L	RED	GREEN	12VDC L.E.D	12VDC L.E.D	4	
58312-AR2 Ⓟ	SPDT	ON 2 & 1	NONE	ON 2 & 3	BLACK	1,2,3 & 4					L	RED	GREEN	12VDC L.E.D	12VDC L.E.D	4	
58312-RG1 Ⓟ	SPDT	ON 2 & 1	OFF	ON 2 & 3	BLACK	1,2,3 & 5					L	RED	GREEN	12VDC L.E.D	12VDC L.E.D	6	YES
58312-AR1 Ⓟ	SPDT	ON 2 & 1	OFF	ON 2 & 3	BLACK	1,2,3 & 5					L	AMBER	RED	12VDC L.E.D	12VDC L.E.D	6	YES
58312-RR	SPDT	ON 2 & 1	OFF	ON 2 & 3	BLACK	1,2,3 & 4					L	RED	RED	12VDC L.E.D	12VDC L.E.D	4	
58312-RC	SPDT	ON 2 & 1	OFF	ON 2 & 3	BLACK	1,2,3 & 4					L	RED	CLEAR	12VDC L.E.D	12VDC L.E.D	4	
58312-RG	SPDT	ON 2 & 1	OFF	ON 2 & 3	BLACK	1,2,3 & 4					L	RED	GREEN	12VDC L.E.D	12VDC L.E.D	4	
58312-AR	SPDT	ON 2 & 1	OFF	ON 2 & 3	BLACK	1,2,3 & 4					L	AMBER	RED	12VDC L.E.D	12VDC L.E.D	4	
58312-AG	SPDT	ON 2 & 1	OFF	ON 2 & 3	BLACK	1,2,3 & 4					L	AMBER	GREEN	12VDC L.E.D	12VDC L.E.D	4	
58312-A5 Ⓟ	SPST	OFF	NONE	ON 2 & 3	BLACK	2,3 & 4	Ⓟ		D	WHITE	K	AMBER		12VDC L.E.D		1	
58312-R4	SPST	OFF	NONE	ON 2 & 3	BLACK	2,3 & 4					K	RED		12VDC L.E.D		1	
58312-G4	SPST	OFF	NONE	ON 2 & 3	BLACK	2,3 & 4					K	GREEN		12VDC L.E.D		1	
58312-C4	SPST	OFF	NONE	ON 2 & 3	BLACK	2,3 & 4					K	CLEAR		12VDC L.E.D		1	
58312-B4	SPST	OFF	NONE	ON 2 & 3	BLACK	2,3 & 4					K	BLUE		12VDC L.E.D		1	
58312-A4	SPST	OFF	NONE	ON 2 & 3	BLACK	2,3 & 4					K	AMBER		12VDC L.E.D		1	
PT NO	TYPE OF SW	POS A	POS B	POS C	ROCKER COLOR	TERMINAL LOCATION	IMPRINT #1	IMPRINT #2	IMPRINT LOCATION	IMPRINT COLOR	LENS LOCATION	LENS 1	LENS 2	LENS 1	LENS 2	LAMP SCHEM	BUS BARS
		ROCKER POSITION										LENS COLOR		LAMP VOLTAGE			

Tolerances Unless otherwise specifically noted, the following are default tolerances:
 * 2-place Decimal Dimensions +/- .02"
 * 3-place Decimal Dimensions +/- .005"
 * Angular Dimensions +/- 1.0 Deg.
 * Metric: Refer to equivalent English Dimension Tolerance
 >>> NOTE: All tolerances are Non-Cumulative. <<<

Dimensional Units All dimensions are expressed in inches except those shown in brackets (xxx) are expressed in millimeters

"REF." or an Asterisk (*) = Non-Toleranced Reference Dimension, shown for clarification purposes only.

Used On
or Ref.:

Scale: **1:1**

PROPRIETARY INFORMATION This Engineering Drawing, and the information contained herein, is proprietary to Cole Hersee Company and may not be disclosed, re-produced, or in any other way transferred or communicated to any other party without the express written consent of an authorized representative of Cole Hersee Company.

DESIGN CONTROL It is the responsibility of the individual using / referencing this drawing to assure that the noted design revision level agrees with the revision level of the Controlled Document (Master Drawing). This is a NON-CONTROLLED DOCUMENT unless otherwise specifically noted.

DO NOT SCALE - Dimensional variation may occur during printing / reproduction.

Drawn
By:

G.A

Date
Drawn:

3/24/04

Responsible
Engineer:

Pg. 3 of 4

Key for Special Characteristics:



Critical Characteristic, relating to Safety and/or Regulatory Compliance



Significant Characteristic relating to Process Control (SPC)



Control Dimension relating to Form - Fit - Function as defined by Cole Hersee Company and/or the Customer

(Note that the identification of any Characteristics as being "Special" does not alter the requirement that ALL specified dimensions & tolerances must be met.)



Cole Hersee Co.

20 Old Colony Ave., South Boston, MA, 02127
Phn: 617-268-2100 Web: www.colehersee.com

Description:

ROCKER SWITCH

Drawing /
Part No.:

58312 CHART

Current Rev.

SEE PG 1

58312-BR1 Ⓒ	SPDT	ON 2 & 1	OFF	ON 2 & 3	BLACK	1,2,3 & 5					L	BLUE	RED	12VDC L.E.D	12VDC L.E.D	6	YES
58312-RG7 Ⓑ	SPDT	ON 2 & 1	OFF	ON 2 & 3	BLACK	1,2,3,4,5 & 6					L	RED	GREEN	12VDC L.E.D	12VDC L.E.D	7	
58312-RG6 Ⓑ	SPDT	ON 2 & 1	NONE	ON 2 & 3	BLACK	1,2,3,4,5 & 6					L	RED	GREEN	12VDC L.E.D	12VDC L.E.D	7	
58312-RG5 Ⓑ	SPDT	ON 2 & 1	NONE	ON 2 & 3	BLACK	1,2,3 & 5					L	RED	GREEN	12VDC L.E.D	12VDC L.E.D	6	YES
58312-RR4 Ⓑ	SPST	OFF	NONE	ON 2 & 3	BLACK	2,3,4 & 6					L	RED	RED	12VDC L.E.D	12VDC L.E.D	3	
58312-RG4 Ⓑ	SPST	OFF	NONE	ON 2 & 3	BLACK	2,3,4 & 6					L	RED	GREEN	12VDC L.E.D	12VDC L.E.D	3	
58312-GA4 Ⓑ	SPST	OFF	NONE	ON 2 & 3	BLACK	2,3,4 & 6					L	GREEN	AMBER	12VDC L.E.D	12VDC L.E.D	3	
58312-RG3 Ⓑ	SPDT	M. ON 2 & 1	OFF	M. ON 2 & 3	BLACK	1,2,3,4,5 & 6					L	RED	GREEN	12VDC L.E.D	12VDC L.E.D	7	
PT NO	TYPE OF SW	POS A	POS B	POS C	ROCKER COLOR	TERMINAL LOCATION	IMPRINT #1	IMPRINT #2	IMPRINT LOCATION	IMPRINT COLOR	LENS LOCATION	LENS 1	LENS 2	LENS 1	LENS 2	LAMP SCHEM	BUS BARS

Tolerances Unless otherwise specifically noted, the following are default tolerances;
 * 2-place Decimal Dimensions +/- .02"
 * 3-place Decimal Dimensions +/- .005"
 * Angular Dimensions +/- 1.0 Deg.
 * Metric: Refer to equivalent English Dimension Tolerance
 >>> NOTE: All tolerances are Non-Cumulative. <<<

Dimensional Units All dimensions are expressed in inches except those shown in brackets (xxx) are expressed in millimeters

"REF." or an Asterisk (*) = Non-Toleranced Reference Dimension, shown for clarification purposes only.

PROPRIETARY INFORMATION This Engineering Drawing, and the information contained herein, is proprietary to Cole Hersee Company and may not be disclosed, re-produced, or in any other way transferred or communicated to any other party without the express written consent of an authorized representative of Cole Hersee Company.

DESIGN CONTROL It is the responsibility of the individual using / referencing this drawing to assure that the noted design revision level agrees with the revision level of the Controlled Document (Master Drawing). This is a NON-CONTROLLED DOCUMENT unless otherwise specifically noted.

DO NOT SCALE - Dimensional variation may occur during printing / reproduction.

Key for Special Characteristics:

- Critical Characteristic, relating to Safety and/or Regulatory Compliance
- Significant Characteristic relating to Process Control (SPC)
- Control Dimension relating to Form - Fit - Function as defined by Cole Hersee Company and/or the Customer

(Note that the identification of any Characteristics as being "Special" does not alter the requirement that ALL specified dimensions & tolerances must be met.)

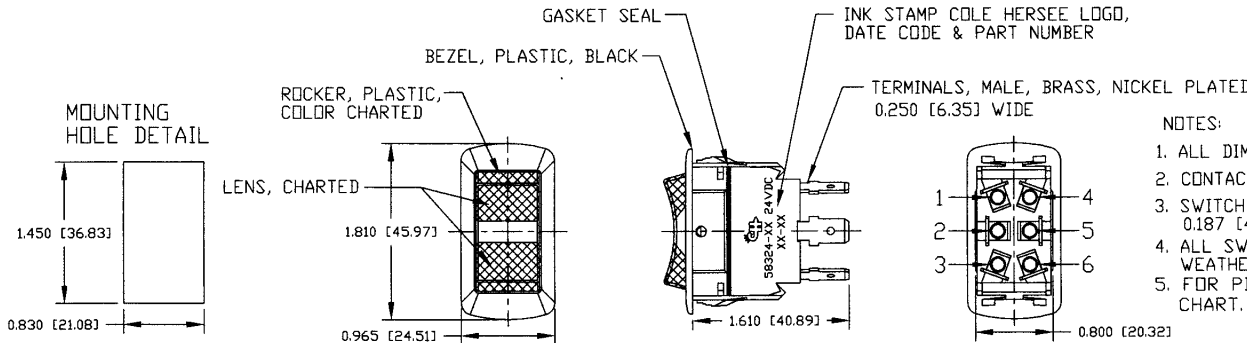
Cole Hersee Co.
 20 Old Colony Ave., South Boston, MA, 02127
 Phn: 617-268-2100 Web: www.colehersee.com

Description: ROCKER SWITCH

Drawing / Part No.: 58312 CHART

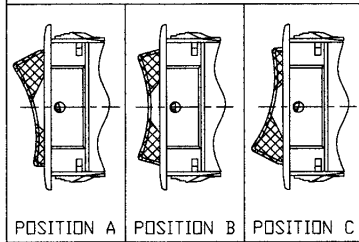
Current Rev. SEE PG 1

A	RELEASE DRAWING	04323	09/09/04

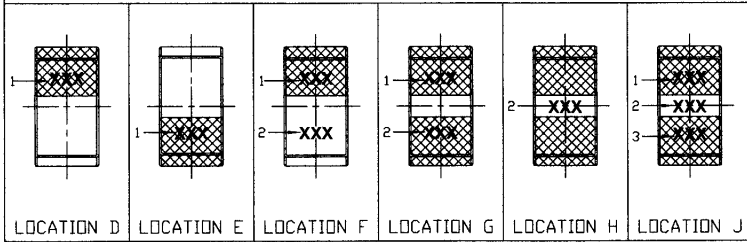


- NOTES:
1. ALL DIMENSIONS ARE REFERENCE ONLY
 2. CONTACT RATING: 15 AMPS @ 24V DC
 3. SWITCH FITS IN 0.093 [2.36] THRU 0.187 [4.75] THICK PANEL
 4. ALL SWITCHES ARE SEALED FOR WEATHER RESISTANCE.
 5. FOR PILOT LIGHT TYPE, SEE LAMP CHART.

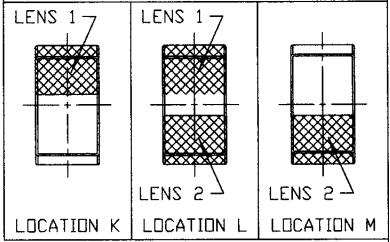
ROCKER POSITIONS



IMPRINTING LOCATION



LENS LOCATION



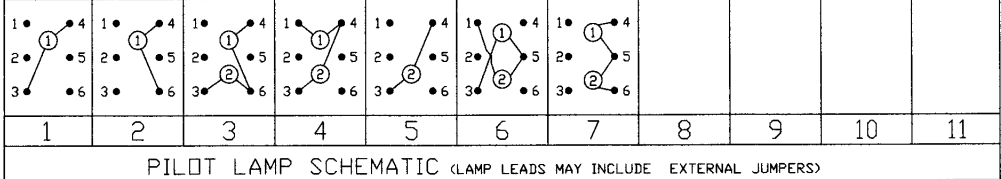
ROCKER COLORS
CHARTED

LENS COLORS

- AMBER
- BLUE
- GREEN
- RED
- CLEAR

IMPRINT COLORS
WHITE

LAMP VOLTAGE
24V DC



TOLERANCES: Unless otherwise specifically noted, the following are default tolerances:
 • 2 place Decimal Dimensions ±0.02"
 • 3 place Decimal Dimensions ±0.005"
 • Angular Dimensions ±1/2 Deg.
 *Metric: Refer to equivalent English Dimension Tolerance
 X: NOTE: All tolerances are Non-Cumulative. *

Dimensional Limits: All dimensions are expressed in inches except those shown in brackets (X) which are expressed in millimeters.

DEFINITIONS: (N) = Non-Toleranced Reference Dimension, shown for clarification purposes only.

REGULATORY INFORMATION: This Engineering Drawing, and the information contained herein, is proprietary to Cole Hersee Company and may not be disclosed, reproduced, or in any other way transmitted or communicated to any other party without the express written consent of an authorized representative of Cole Hersee Company.

DESIGN COMPLIANCE: It is the responsibility of the individual user/manufacturer (MFR) to ensure that the noted design remains in full compliance with the relevant level of the Controlled Document (Manufacturer's Drawing). This is a NON-CONTROLLED DOCUMENT unless otherwise specifically noted.

DO NOT MIMIC: Dimensional variations may occur during printing/reproduction.

Key for Special Characteristics:

- ⊕ Critical Characteristics, relating to Safety under Regulatory Compliance
- ⊗ Significant Characteristics relating to Process Control (SPC)
- ⊕ Central Dimension relating to Form - Fit - Function as defined by Cole Hersee Company and/or the Customer

(Note that the identification of any Characteristics as being "Special" does not alter the requirement that ALL specified dimensions & tolerances must be met.)

Cole Hersee Co.
 20 Old Colony Ave., South Boston, MA, 02127
 Plus 617-266-2100 Web: www.colehersee.com

ROCKER SWITCH

Revision/ Part No. **58324 CHART** Current Rev. **A**

58324-R2	SPST	OFF	NONE	ON 2 & 3	BLACK	2,3,4 & 6					K	RED	24VDC L.E.D			2	
58324-G2	SPST	OFF	NONE	ON 2 & 3	BLACK	2,3,4 & 6					K	GREEN	24VDC L.E.D			2	
58324-C2	SPST	OFF	NONE	ON 2 & 3	BLACK	2,3,4 & 6					K	CLEAR	24VDC L.E.D			2	
58324-B2	SPST	OFF	NONE	ON 2 & 3	BLACK	2,3,4 & 6					K	BLUE	24VDC L.E.D			2	
58324-A2	SPST	OFF	NONE	ON 2 & 3	BLACK	2,3,4 & 6					K	AMBER	24VDC L.E.D			2	
58324-R1	SPST	OFF	NONE	ON 2 & 3	BLACK	2,3,4 & 6					K	RED	24VDC			2	
58324-G1	SPST	OFF	NONE	ON 2 & 3	BLACK	2,3,4 & 6					K	GREEN	24VDC			2	
58324-C1	SPST	OFF	NONE	ON 2 & 3	BLACK	2,3,4 & 6					K	CLEAR	24VDC			2	
58324-B1	SPST	OFF	NONE	ON 2 & 3	BLACK	2,3,4 & 6					K	BLUE	24VDC			2	
58324-A1	SPST	OFF	NONE	ON 2 & 3	BLACK	2,3,4 & 6					K	AMBER	24VDC			2	
58324-R	SPST	OFF	NONE	ON 2 & 3	BLACK	2,3 & 4					K	RED	24VDC			1	
58324-G	SPST	OFF	NONE	ON 2 & 3	BLACK	2,3 & 4					K	GREEN	24VDC			1	
58324-C	SPST	OFF	NONE	ON 2 & 3	BLACK	2,3 & 4					K	CLEAR	24VDC			1	
58324-B	SPST	OFF	NONE	ON 2 & 3	BLACK	2,3 & 4					K	BLUE	24VDC			1	
58324-A	SPST	OFF	NONE	ON 2 & 3	BLACK	2,3 & 4					K	AMBER	24VDC			1	

PT NO	TYPE OF SW	POS A	POS B	POS C	ROCKER COLOR	TERMINAL LOCATION	IMPRINT #1	IMPRINT #2	IMPRINT LOCATION	IMPRINT COLOR	LENS LOCATION	LENS 1	LENS 2	LENS 1	LENS 2	LAMP SCHEM	BUS BARS
		ROCKER POSITION										LENS COLOR	LENS COLOR	LAMP VOLTAGE			

Tolerances: Unless otherwise specifically noted, the following are default tolerances:
 * 2-place Decimal Dimensions - to .01"
 * 3-place Decimal Dimensions - to .005"
 * Angular Dimensions - to .0 Deg.
 * Metric: Refer to equivalent English Dimension Tolerance
 *** NOTE: All tolerances are Non-Cumulative ***

Dimensional Note: All dimensions are expressed in inches unless shown in brackets () are expressed in millimeters

ASME Y14.5M-2009 is Non-Toleranced Reference Dimension when for Identification purposes only

DISCLAIMER: This Engineering Drawing and the information contained herein is proprietary to Cole Hersee Company and may not be disclosed, reprinted, or in any other way transmitted or communicated to any other party without the express written consent of an authorized representative of Cole Hersee Company.

REVISION CONTROL: It is the responsibility of the individual using/ referencing this drawing to ensure that the latest design revision level agrees with the revision level of the Controlled Document (Master Drawing). This is a NON-CUMULATIVE DOCUMENT unless otherwise specifically noted.

DO NOT SCALE: Dimensional variation may occur during printing/ reproduction.

Key for Special Characteristics:
 ☒ Critical Characteristics relating to Safety and/or Regulatory Compliance
 ☒ Significant Characteristics relating to Process Control (SPC)

Control Dimension: Control Dimension relating to Form - Fit - Function as defined by Cole Hersee Company and/or the Customer.
 (Note that the Identification of any Characteristics as being "Special" does not alter the requirement that ALL specified dimensions & tolerances must be met.)

Responsible Engineer: Pg. 2 of 3

Cole Hersee Co.
 20 Old Colony Ave., South Boston, MA, 02127
 Phone: 617-368-2100 Web: www.colehersee.com

ROCKER SWITCH

Description:

Drawing / Part No: **58324 CHART**

Current Rev: **SEE PG.1**

58324-R4	SPST	OFF	NONE	ON 2 & 3	BLACK	2,3 & 4					K	RED		24VDC L.E.D			1	
58324-G4	SPST	OFF	NONE	ON 2 & 3	BLACK	2,3 & 4					K	GREEN		24VDC L.E.D			1	
58324-C4	SPST	OFF	NONE	ON 2 & 3	BLACK	2,3 & 4					K	CLEAR		24VDC L.E.D			1	
58324-B4	SPST	OFF	NONE	ON 2 & 3	BLACK	2,3 & 4					K	BLUE		24VDC L.E.D			1	
58324-A4	SPST	OFF	NONE	ON 2 & 3	BLACK	2,3 & 4					K	AMBER		24VDC L.E.D			1	
58324-R3	SPST	OFF	NONE	M.ON 2 & 3	BLACK	2,3,4 & 6					K	RED		24VDC			2	
58324-AG	SPDT	ON 2 & 1	NONE	ON 2 & 3	BLACK	1,2,3,4, & 5					L	AMBER	GREEN	24VDC	24VDC		6	YES
58324-RG2	SPDT	ON 2 & 1	NONE	ON 2 & 3	BLACK	1,2,3,4, & 5					L	RED	GREEN	24VDC L.E.D	24VDC L.E.D		6	YES
58324-GR1	SPDT	ON 2 & 1	NONE	ON 2 & 3	BLACK	1,2,3,4, & 6					L	GREEN	RED	24VDC	24VDC		3	
58324-GR	SPDT	ON 2 & 1	OFF	ON 2 & 3	BLACK	1,2,3 & 4					L	GREEN	RED	24VDC	24VDC		4	
58324-AR1	SPDT	ON 2 & 1	NONE	ON 2 & 3	BLACK	1,2,3,4,5 & 6					L	AMBER	RED	24VDC	24VDC		7	
58324-AR	SPDT	ON 2 & 1	OFF	ON 2 & 3	BLACK	1,2,3,4,5 & 6					L	AMBER	RED	24VDC	24VDC		7	

PT NO	TYPE OF SW	POS A	POS B	POS C	ROCKER LOCATION	TERMINAL LOCATION	IMPRINT #1	IMPRINT #2	IMPRINT LOCATION	IMPRINT COLOR	LENS LOCATION	LENS 1 COLOR	LENS 2 COLOR	LENS 1 LAMP VOLTAGE	LENS 2 LAMP VOLTAGE	LAMP SCHEM	BUS BARS
-------	------------	-------	-------	-------	-----------------	-------------------	------------	------------	------------------	---------------	---------------	--------------	--------------	---------------------	---------------------	------------	----------

Tolerances - Unless otherwise specifically noted, the following are default tolerances:
 + 3-place Decimal Dimensions - "+.00"
 + 3-place Decimal Dimensions - ".00"
 + Angular Dimensions - ".10 Deg.
 + Metric: Refer to equivalent English Dimension Tolerance
 + ** NOTE: All tolerances are Non-Conservative.

Dimensional Limits - All dimensions are expressed in inches except those shown in brackets (XX) as expressed in millimeters.

DEFINITIONS - Non-Toleranced Reference Dimensions, shown for identification purposes only.

Used On _____ Scale: **1:1**
 or Ref: _____

PROPRIETARY INFORMATION - This Engineering Drawing, and the information contained herein, is proprietary to Cole Horse Company and may not be disclosed, retransmitted, or in any other way transferred or reoperational to any other party without the express written consent of an authorized representative of Cole Horse Company.

DESIGN CONTROL - It is the responsibility of the individual using/producing this drawing to ensure that the stated design version level agrees with the revision level of the Controlled Document (shop Drawing). This is a **NON-CONTROLLED DOCUMENT** unless otherwise specifically noted.

No COPY SHALL - Dimensional variation may occur during printing/reproduction.

Drawn By: **GA** Date: **3/24/04**

Key for Special Characteristics:

- Critical Characteristics, relating to Safety and/or Regulatory Compliance
- Significant Characteristics relating to Process Control (SPC)
- Control Dimension relating to Form - Fit - Function as defined by Cole Horse Company and/or the Customer

(Note that the Identification of any Characteristics as being "Special" does not alter the requirement that ALL specified dimensions & tolerances must be met.)

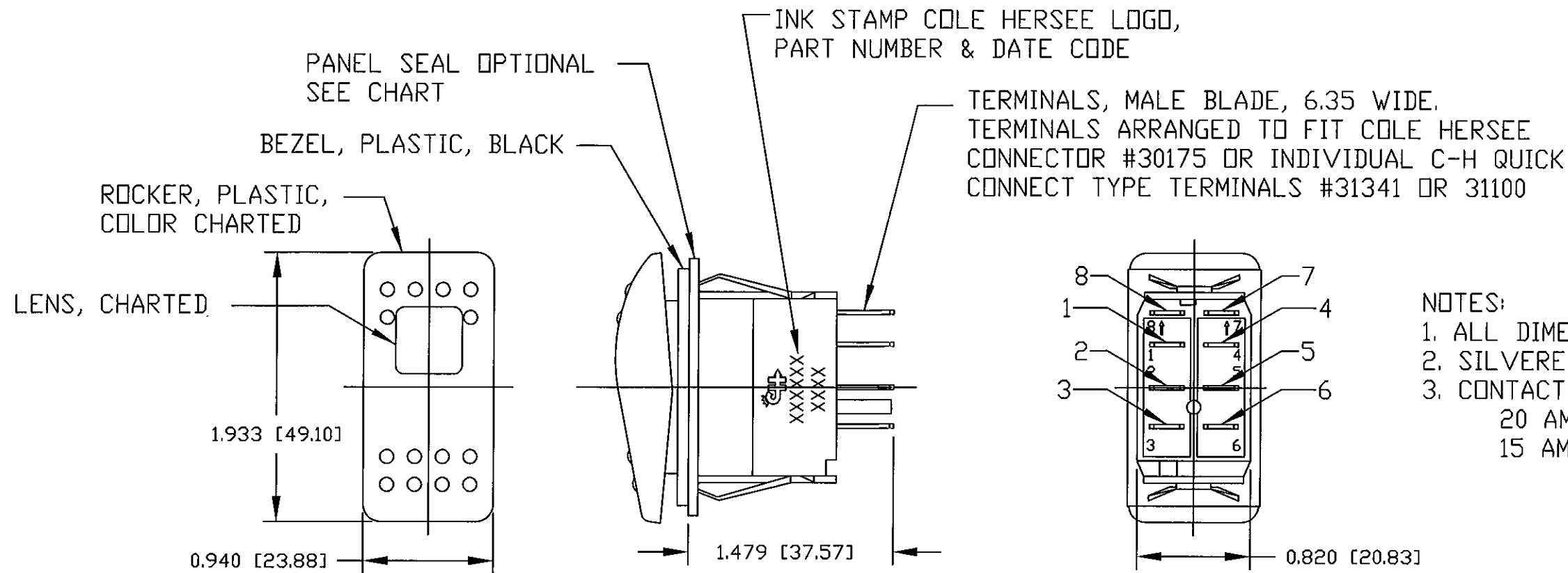
Responsible Engineer: _____ Pg. 3 of 3

Cole Horse Co.
 20 Old Colony Ave., South Boston, MA, 02127
 Phone 617-556-5100 Web www.colehorse.com

ROCKER SWITCH

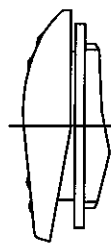
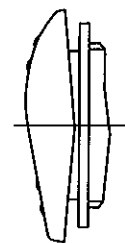
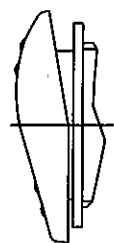
Description: _____

Drawing/Part No. **58324 CHART** Current Rev. **SEE PG 1**



ROCKER COLORS
BLACK GRAY RED WHITE
IMPRINT COLORS
BLACK WHITE
LAMP VOLTAGE
12V DC 24V DC

ROCKER POSITIONS

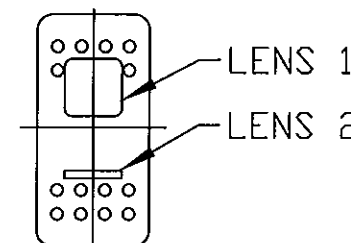
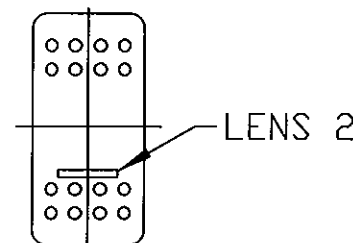
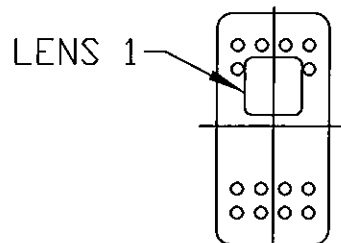


POSITION A

POSITION B

POSITION C

LENS LOCATION

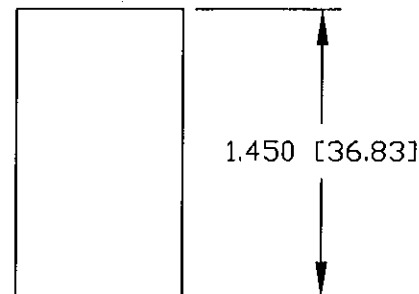


LOCATION D

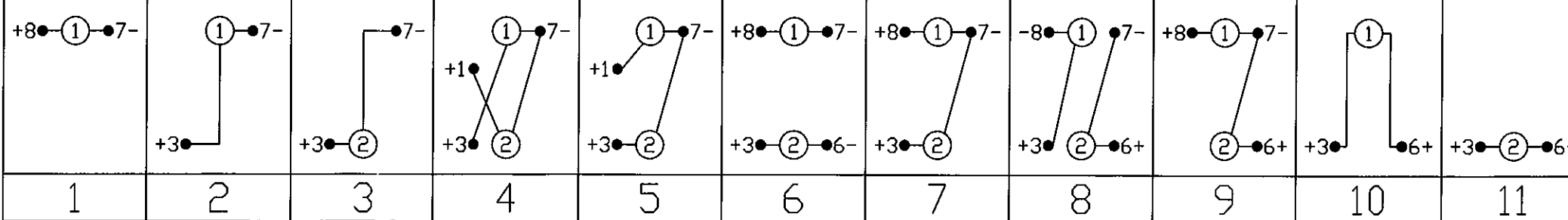
LOCATION E

LOCATION F

MOUNTING HOLE DETAIL



LENS COLORS
AMBER BLUE CLEAR GREEN RED WHITE



LAMP SCHEMATIC

Revision Control Record			
Rev.	Description of Change	ECN No.	Date
K	58326-23	03224	06/13/03
L	INCANDESCENT TO LED	06062	02/24/06
M	ADD LED AND WHITE LENS AND MARKINGS ON LENS & ACT OF 58326-06	08539	11/02/08
N	ADD TERMINAL 5 & 6	09457	09/22/09

Tolerances Unless otherwise specifically noted, the following are default tolerances:
 * 2-place Decimal Dimensions +/- .02"
 * 3-place Decimal Dimensions +/- .005"
 * Angular Dimensions +/- 1.0 Deg.
 * Metric: Refer to equivalent English Dimension Tolerance
 >>> NOTE: All tolerances are Non-Cumulative. <<<

Dimensional Units All dimensions are expressed in inches except those shown in brackets (xxx) are expressed in millimeters

"REF." or an Asterisk (*) = Non-Tolerance Reference Dimension, shown for clarification purposes only.

Used On or Ref.: EX26110 SERIES

PROPRIETARY INFORMATION This Engineering Drawing, and the information contained herein, is proprietary to Cole Hersee Company and may not be disclosed, re-produced, or in any other way transferred or communicated to any other party without the express written consent of an authorized representative of Cole Hersee Company.

DESIGN CONTROL It is the responsibility of the individual using / referencing this drawing to assure that the noted design revision level agrees with the revision level of the Controlled Document (Master Drawing). This is a NON-CONTROLLED DOCUMENT unless otherwise specifically noted.

DO NOT SCALE - Dimensional variation may occur during printing / reproduction.

Scale: 1:1

Drawn By: DPS

Date Drawn: 2/1/93

Special Characteristics:

Critical Characteristic, relating to Safety and/or Regulatory Compliance

Significant Characteristic relating to Process Control (SPC)

Control Dimension relating to Form - Fit - Function as defined by Cole Hersee Company and/or the Customer

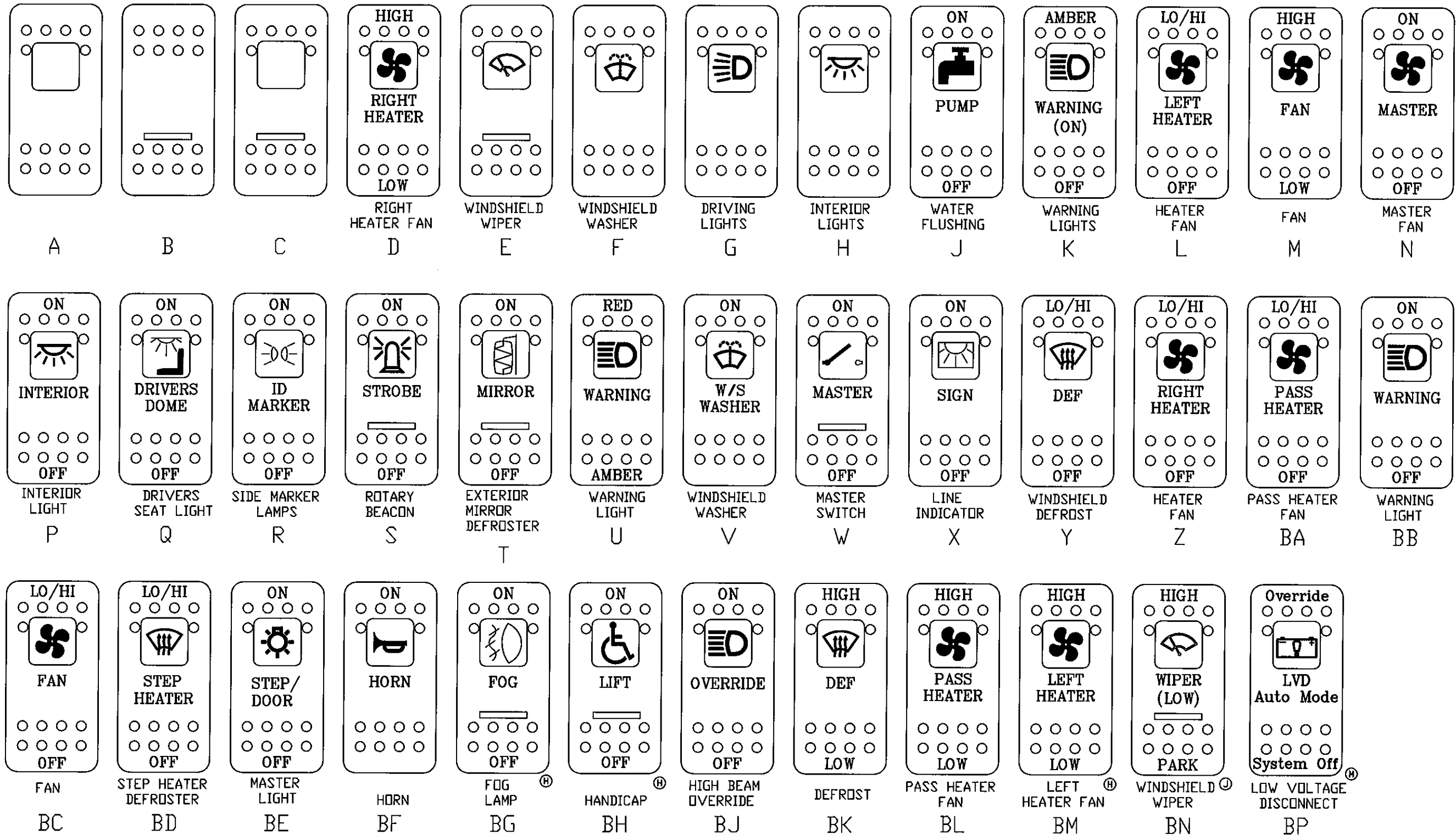
(Note that the identification of any Characteristics as being "Special" does not alter the requirement that ALL specified dimensions & tolerances must be met.)


Responsible Engineer: Pg. 1 of 5

Cole Hersee Co.
 20 Old Colony Ave., South Boston, MA, 02127
 Phn: 617-268-2100 Web: www.colehersee.com

Description: **ROCKER SWITCH**

Drawing / Part No.: **58326-CHART N**



Revision Control Record				Tolerances Unless otherwise specifically noted, the following are default tolerances: * 2-place Decimal Dimensions $\pm .02'$ * 3-place Decimal Dimensions $\pm .005'$ * Angular Dimensions ± 1.0 Deg. * Metric: Refer to equivalent English Dimension Tolerance >>> NOTE: All tolerances are Non-Cumulative. <<<	PROPRIETARY INFORMATION This Engineering Drawing, and the information contained herein, is proprietary to Cole Hersee Company and may not be disclosed, re-produced, or in any other way transferred or communicated to any other party without the express written consent of an authorized representative of Cole Hersee Company. DESIGN CONTROL It is the responsibility of the individual using / referencing this drawing to assure that the noted design revision level agrees with the revision level of the Controlled Document (Master Drawing). This is a NON-CONTROLLED DOCUMENT unless otherwise specifically noted. DO NOT SCALE - Dimensional variation may occur during printing / reproduction.	Special Characteristics: <input type="checkbox"/> Critical Characteristic, relating to Safety and/or Regulatory Compliance <input checked="" type="checkbox"/> Significant Characteristic relating to Process Control (SPC) <input type="checkbox"/> Control Dimension relating to Form - Fit - Function as defined by Cole Hersee Company and/or the Customer (Note that the Identification of any Characteristics as being "Special" does not alter the requirement that ALL specified dimensions & tolerances must be met.)	 Cole Hersee Co. 20 Old Colony Ave., South Boston, MA, 02127 Phn: 617-268-2100 Web: www.colehersee.com
Rev.	Description of Change	ECN No.	Date				
	SEE PAGE ONE FOR REVISION LEVEL						
				Used On or Ref.: EX26110 SERIES	Scale: N/A	Drawn By: DPS	Date Drawn: 2/1/93
Responsible Engineer: _____ Pg. 2 of 5							
Description: ROCKER SWITCH Drawing / Part No.: 58326-CHART SEE PG. 1 FOR REV.							

58326-16	SPST	OFF	NONE	2 & 3	BLACK	2,3,7 & 8	YES	Q	BLACK	WHITE	D	WHITE	NONE	12V DC	NONE	1	SHIPPED ASSEMBLED
58326-15	SPST	OFF	NONE	2 & 3	BLACK	2,3,7 & 8	YES	P	BLACK	WHITE	D	WHITE	NONE	12V DC	NONE	1	SHIPPED ASSEMBLED
58326-14	SPST	OFF	NONE	2 & 3	BLACK	2,3,7 & 8	YES	N	BLACK	WHITE	D	WHITE	NONE	12V DC	NONE	1	SHIPPED ASSEMBLED
58326-13	DPDT	1 & 2 4 & 5	OFF	2 & 3 5 & 6	BLACK	1,2,3,4,5, 6,7 & 8	YES	M	BLACK	WHITE	D	WHITE	NONE	12V DC	NONE	1	SHIPPED ASSEMBLED
58326-12	DPDT	1 & 2, 4 & 5	OFF	2 & 3 5 & 6	BLACK	1,2,3,4,5, 6,7 & 8	YES	BM	BLACK	WHITE	D	WHITE	NONE	12V DC	NONE	1	SHIPPED ASSEMBLED
58326-11	DP	OFF	2 & 3	MM 2 & 3, 5 & 6	BLACK	2,3,5,6, 7 & 8	YES	K	BLACK	WHITE	D	WHITE	NONE	12V DC	NONE	1	SHIPPED ASSEMBLED
58326-10	SPST	OFF	NONE	2 & 3	BLACK	2,3,7 & 8	YES	J	BLACK	WHITE	D	WHITE	NONE	12V DC	NONE	1	SHIPPED ASSEMBLED
58326-09 ^(N)	DPST	OFF	NONE	2 & 3 5 & 6	BLACK	2,3,5,6, & 7	YES	B	NONE	NONE	D	CLEAR	NONE	12V DC LED RED	NONE	2	SHIPPED LOOSE
58326-08	SPST	OFF	NONE	2 & 3	BLACK	2,3 & 7	YES	B	NONE	NONE	D	CLEAR	NONE	12 VDC LED RED	NONE	2	SHIPPED LOOSE
58326-07	SPST	OFF	NONE	2 & 3	BLACK	2,3 & 7	YES	B	NONE	NONE	D	RED	NONE	12V DC	NONE	2	SHIPPED ASSEMBLED
58326-06 ^(M)	SPDT	1 & 2	OFF	M-ON 2 & 3	BLACK	1,2,3, 7 & 8	YES	BP	BLACK	WHITE	D	WHITE	NONE	12VDC LED RED	NONE	1	SHIPPED ASSEMBLED
58326-05	SPST	OFF	NONE	ON 5 & 6	BLACK	5,6,7 & 8	YES	G	WHITE	NONE	D	GREEN	NONE	12VDC	NONE	1	SHIPPED ASSEMBLED
58326-04 [*]	SP	1 & 2	2 & 5	5 & 6	BLACK	1,2,5,6, 7 & 8	YES	F	WHITE	NONE	D	GREEN	NONE	12V DC	NONE	1	SHIPPED ASSEMBLED
58326-03	SPST	OFF	NONE	5 & 6	BLACK	5, 6, 7 & 8	YES	E	WHITE	NONE	F	RED	RED	12V DC	12V DC	9	SHIPPED ASSEMBLED
58326-02	SPST	OFF	NONE	5 & 6	BLACK	5, 6, 7 & 8	YES	C	NONE	NONE	F	RED	RED	12V DC	12V DC	9	SHIPPED ASSEMBLED
58326-01	SPST	OFF	NONE	5 & 6	BLACK	5, 6, 7 & 8	YES	B	NONE	NONE	D	RED	NONE	12V DC LED	NONE	1	SHIPPED ASSEMBLED
PT NO	TYPE OF SW	POS A	POS B	POS C	ROCKER COLOR	TERMINAL LOCATION	SEALED	IMPRINT SYMBOL & LOCATION SEE PAGE 2	IMPRINT COLOR (LENS)	IMPRINT COLOR (ROCKER)	LENS LOCATION	LENS 1	LENS 2	LENS 1	LENS 2	LAMP SCHEMATIC	PANEL SEAL
		ROCKER POSITION										LENS COLOR		LAMP VOLTAGE			

* CUSTOMER MUST SUPPLY JUMPER 3 TO 4

Revision Control Record			
Rev.	Description of Change	ECN No.	Date
	SEE PAGE ONE FOR REVISION LEVEL		

Tolerances Unless otherwise specifically noted, the following are default tolerances:
 * 2-place Decimal Dimensions +/- .02"
 * 3-place Decimal Dimensions +/- .005"
 * Angular Dimensions +/- 1.0 Deg.
 * Metric: Refer to equivalent English Dimension Tolerance
 >>> NOTE: All tolerances are Non-Cumulative. <<<

Dimensional Units All dimensions are expressed in inches except those shown in brackets (xxx) are expressed in millimeters

"REF." or an Asterisk (*) = Non-Toleranced Reference Dimension, shown for clarification purposes only.

Used On **EX26110 SERIES** Scale: **1:1**

PROPRIETARY INFORMATION This Engineering Drawing, and the information contained herein, is proprietary to Cole Hersee Company and may not be disclosed, re-produced, or in any other way transferred or communicated to any other party without the express written consent of an authorized representative of Cole Hersee Company.

DESIGN CONTROL It is the responsibility of the individual using / referencing this drawing to assure that the noted design revision level agrees with the revision level of the Controlled Document (Master Drawing). This is a NON-CONTROLLED DOCUMENT unless otherwise specifically noted.

DO NOT SCALE - Dimensional variation may occur during printing / reproduction.

Drawn **DPS** Date **2/1/93**

Special Characteristics:

Critical Characteristic, relating to Safety and/or Regulatory Compliance

Significant Characteristic relating to Process Control (SPC)

Control Dimension relating to Form - Fit - Function as defined by Cole Hersee Company and/or the Customer

(Note that the Identification of any Characteristics as being "Special" does not alter the requirement that ALL specified dimensions & tolerances must be met.)

Responsible Engineer: **Pg. 3 of 5**

Cole Hersee Co.
 20 Old Colony Ave., South Boston, MA, 02127
 Phn: 617-268-2100 Web: www.colehersee.com

Description: ROCKER SWITCH

Drawing / Part No.: 58326-CHART SEE PG. 1 FOR REV.

58326-32	SPST	OFF	NONE	MDM 2 & 3	BLACK	2,3,7,8	YES	BF	BLACK	WHITE	D	WHITE	NONE	12V DC	NONE	1	SHIPPED ASSEMBLED
58326-31	SPST	OFF	NONE	2 & 3	BLACK	2,3,7,8	YES	BE	BLACK	WHITE	D	WHITE	NONE	12V DC	NONE	1	SHIPPED ASSEMBLED
58326-30	DPDT	1 & 2 4 & 5	2 & 3 5 & 4	2 & 3 5 & 6	BLACK	1,2,3,4,5, 6,7 & 8	YES	BD	BLACK	WHITE	D	WHITE	NONE	12V DC	NONE	1	SHIPPED ASSEMBLED
58326-29	DPDT	1 & 2, 4 & 5	2 & 3 5 & 4	2 & 3 5 & 6	BLACK	1,2,3,4,5, 6,7 & 8	YES	BC	BLACK	WHITE	D	WHITE	NONE	12V DC	NONE	1	SHIPPED ASSEMBLED
58326-28	SPST	OFF	NONE	2 & 3	BLACK	2,3,7,8	YES	BB	BLACK	WHITE	D	WHITE	NONE	12V DC	NONE	1	SHIPPED ASSEMBLED
58326-27	DPDT	1 & 2 4 & 5	2 & 3 5 & 4	2 & 3 5 & 6	BLACK	1,2,3,4,5, 6,7 & 8	YES	BA	BLACK	WHITE	D	WHITE	NONE	12V DC	NONE	1	SHIPPED ASSEMBLED
58326-26	DPDT	1 & 2 4 & 5	2 & 3 5 & 4	2 & 3 5 & 6	BLACK	1,2,3,4,5, 6,7 & 8	YES	Z	BLACK	WHITE	D	WHITE	NONE	12V DC	NONE	1	SHIPPED ASSEMBLED
58326-25	DPDT	1 & 2 4 & 5	2 & 3 5 & 4	2 & 3 5 & 6	BLACK	1,2,3,4,5, 6,7 & 8	YES	L	BLACK	WHITE	D	WHITE	NONE	12 VDC	NONE	1	SHIPPED ASSEMBLED
58326-24	DPDT	1 & 2 4 & 5	2 & 3 5 & 4	2 & 3 5 & 6	BLACK	1,2,3,4,5, 6,7 & 8	YES	Y	BLACK	WHITE	D	WHITE	NONE	12V DC	NONE	1	SHIPPED ASSEMBLED
58326-23	SPST	OFF	NONE	2 & 3	BLACK	2,3,7 & 8	YES	X	BLACK	WHITE	D	WHITE	NONE	12V DC	NONE	1	SHIPPED ASSEMBLED
58326-22	SPST	OFF	NONE	2 & 3	BLACK	2,3,6 7 & 8	YES	W	BLACK	WHITE	F	WHITE	WHITE	12V DC	12V DC LED	9	SHIPPED ASSEMBLED
58326-21	SPST	OFF	NONE	MDM 2 & 3	BLACK	2,3,7 & 8	YES	V	BLACK	WHITE	D	WHITE	NONE	12V DC	NONE	1	SHIPPED ASSEMBLED
58326-20	DPDT	1 & 2 4 & 5	OFF	2 & 3 5 & 6	BLACK	1,2,3,4,5, 6, 7 & 8	YES	U	BLACK	WHITE	D	WHITE	NONE	12V DC	NONE	1	SHIPPED ASSEMBLED
58326-19	SPST	OFF	NONE	2 & 3	BLACK	2,3,6, 7 & 8	YES	T	BLACK	WHITE	F	WHITE	WHITE	12V DC	12V DC LED	9	SHIPPED ASSEMBLED
58326-18	SPST	OFF	NONE	2 & 3	BLACK	2,3,6, 7 & 8	YES	S	BLACK	WHITE	F	WHITE	WHITE	12V DC	12V DC LED	9	SHIPPED ASSEMBLED
58326-17	SPST	OFF	NONE	2 & 3	BLACK	2,3,7 & 8	YES	R	BLACK	WHITE	D	WHITE	NONE	12V DC	NONE	1	SHIPPED ASSEMBLED
PT NO	TYPE OF SW	POS A	POS B	POS C	ROCKER COLOR	TERMINAL LOCATION	SEALED	IMPRINT SYMBOL & LOCATION	IMPRINT COLOR (LENS)	IMPRINT COLOR (ROCKER)	LENS LOCATION	LENS 1	LENS 2	LENS 1	LENS 2	LAMP SCHEMATIC	PANEL SEAL
		ROCKER POSITION										LENS COLOR	LENS COLOR	LAMP VOLTAGE			

(K)

Revision Control Record

Rev.	Description of Change	ECN No.	Date
	SEE PAGE ONE FOR REVISION LEVEL		

This drawing, unless otherwise specifically noted, has the following **DEFINITIONS**:

- Unless Declared Otherwise - ".25"
- Unless Declared Otherwise - ".063"
- Angles Dimensioned - IN 1:20
- Metric: Refer to equivalent English Dimensional Tolerance - "SEE" NOTE. All tolerances are Max/Minimums, not

Dimensional Limits: All dimensions are expressed in inches except those shown in brackets (XX) are expressed in millimeters.

"SEE" - See **EXHIBIT C**, which Tabulated Reference Dimension, shows for identification purposes only.

Used On
or Ref: **EX28110 SERIES** Scale: **1:1**

PROPRIETARY INFORMATION: This Engineering Drawing, and the information contained herein, is proprietary to Cole Hersee Company and may not be disclosed, reproduced, or in any other way transferred or communicated to any other party without the express written consent of an authorized representative of Cole Hersee Company.

APPROVAL: I am the responsible party for the initial design creation and agree with the revision hereof of the Customer's Drawing (Supplier Drawing). This is a NON-CONTROLLED DOCUMENT unless otherwise specified.

DO NOT SCALE - Dimensional variation may occur during printing/ reproduction.

Drawn By: **DPS** Date Drawn: **2/1/93**

Special Characteristics:

- ⊠ Critical Characteristics, relating to Safety and/or Regulatory Compliance
- ⊡ Significant Characteristics, relating to Process Control (PC)
- ⊙ Control Dimension relating to Form - FN - Function as defined by Cole Hersee Category and/or Customer

Note that the identification of any characteristic as being "Special" does not alter the requirement that ALL specified dimensions & tolerances must be met.

Responsible Engineer: **Pg. 4 of 5**

Cole Hersee Co.
28 Old Colony Ave., South Boston, MA, 02127
Pho 617-388-3193 Web: www.colehersee.com

Description: **ROCKER SWITCH**

Drawing / Part No.: **58326-CHART**

SEE PG. 1 FOR REV.

58326-39	DPDT	1 & 2, 4 & 5	2 & 3, 4 & 5	2 & 3, 5 & 6	BLACK	1,2,3,4,5, 6,7, & 8	YES	BN	BLACK	WHITE	D	WHITE	NONE	12V DC	NONE	1	SHIPPED ASSEMBLED	
58326-38	DPDT	1 & 2, 4 & 5	OFF	2 & 3, 5 & 6	BLACK	1,2,3,4,5, 6,7, & 8	YES	D	BLACK	WHITE	D	WHITE	NONE	12V DC	NONE	1	SHIPPED ASSEMBLED	
58326-37	DPDT	1 & 2, 4 & 5	OFF	2 & 3, 5 & 6	BLACK	1,2,3,4,5, 6,7, & 8	YES	BL	BLACK	WHITE	D	WHITE	NONE	12V DC	NONE	1	SHIPPED ASSEMBLED	
58326-36	DPDT	1 & 2, 4 & 5	OFF	2 & 3, 5 & 6	BLACK	1,2,3,4,5, 6,7, & 8	YES	BK	BLACK	WHITE	D	WHITE	NONE	12V DC	NONE	1	SHIPPED ASSEMBLED	
58326-35	DPST	OFF	NDONE	2 & 3, 5 & 6	BLACK	2,3,5,6, 7, & 8	YES	BJ	BLACK	WHITE	D	WHITE	NONE	12V DC	NONE	1	SHIPPED ASSEMBLED	
58326-34	SPST	OFF	NDONE	2 & 3	BLACK	2,3,6,7,8	YES	BH	BLACK	WHITE	F	WHITE	WHITE	12V DC	12V DC LED	9	SHIPPED ASSEMBLED	
58326-33	SPST	OFF	NDONE	2 & 3	BLACK	2,3,6,7,8	YES	BG	BLACK	WHITE	F	WHITE	WHITE	12V DC	12V DC LED	9	SHIPPED ASSEMBLED	
PT NO	TYPE OF SW	POS A	POS B	POS C	ROCKER COLOR	TERMINAL LOCATION	SEALED	IMPRINT SYMBOL & LOCATION	IMPRINT COLOR (LENS)	IMPRINT COLOR (ROCKER)	LENS LOCATION	LENS 1	LENS 2	LENS 1	LENS 2	LAMP VOLTAGE	LAMP SCHEMATIC	PANEL SEAL

Revision Control Record			
Rev.	Description of Change	ECN No.	Date
	SEE PAGE ONE FOR REVISION LEVEL		

Tolerances: Unless otherwise specifically noted, the following are default tolerances:
 • Surface Distort Dimensions $\pm .02"$
 • Surface Distort Dimensions $\pm .005"$
 • Angular Dimensions $\pm .1$ Deg.
 • Holes: Hole to equivalent English Dimension Tolerance
 *** NOTE: All tolerances are Non-Cumulative ***
Dimensional Units: All dimensions are expressed in inches except those shown in brackets () which are expressed in millimeters
REF. to an ASSEMBLY: - Non-Tolerance Reference Dimension, shown for identification purposes only.
 Used On: **EX28110 SERIES** Scale: **1:1**
 or Ref.:

PROPRIETARY INFORMATION: This Engineering Drawing, and the information contained herein, is proprietary to Cole Hersee Company and may not be disclosed, reproduced, or in any way used, modified or communicated to any other party without the express written consent of an authorized representative of Cole Hersee Company.
DESIGN CONTROL: It is the responsibility of the individual using/ referring this drawing to ensure that the latest design revision used agrees with the revision level of the Controlled Document (Master Drawing). This is a NON-CONTROLLED DOCUMENT unless otherwise specifically noted.
 DO NOT SCALE - Dimensional variation may occur during printing/ reproduction.
 Drawn: **DPS**
 Date: **2/1/93**
 By:

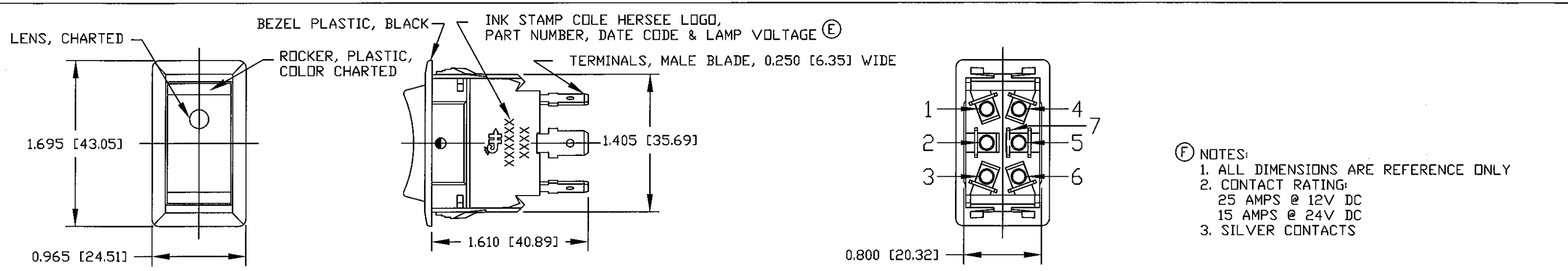
Special Characteristics:
 Critical Characteristics relating to Safety and/or Regulatory Compliance
 Significant Characteristics relating to Process Control (SPC)
 Control Dimension relating to Form - Fit - Function as defined by Cole Hersee Company and/or the Customer
 (Note that the identification of any Characteristics to be "Special" does not infer the requirement that ALL specified dimensions & tolerances must be used.)
 Responsible Engineer: **Pg. 5 of 5**

Cole Hersee Co.
 20 Old Colony Ave., South Boston, MA, 02127
 PHN: 617-268-2100 Web: www.colehersee.com

Description: **ROCKER SWITCH**

Drawing / Part No.: **58326-CHART**

SEE PG. 1 FOR REV.




ROCKER POSITIONS			IMPRINTING LOCATION			LENS LOCATION			
POSITION A	POSITION B	POSITION C	LOCATION D	LOCATION E	LOCATION F	LOC. G	LOC. H	LOC. J	LOC. K

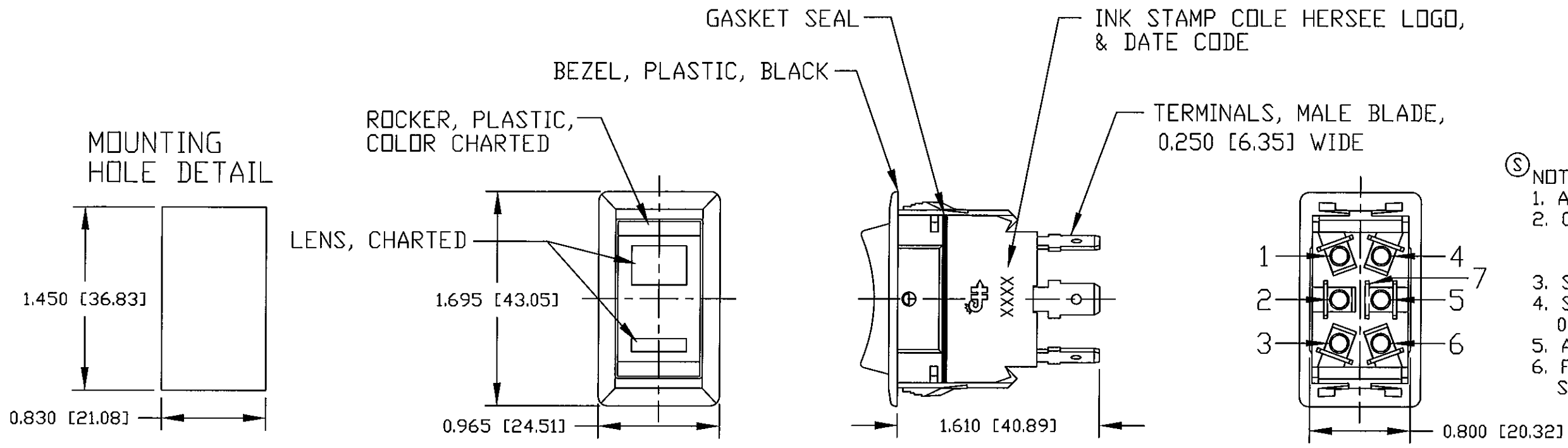
MOUNTING HOLE DETAIL 1.450 [36.83] 0.830 [21.08]	ROCKER COLORS BLACK	LENS COLORS AMBER BLUE GREEN RED											
	IMPRINT COLORS WHITE		LAMP SCHEMATIC										
LAMP VOLTAGE 12V DC 24V DC													

Revision Control Record				Rev.	Description of Change	ECN No.	Date	Tolerances Unless otherwise specifically noted, the following are default tolerances: 2-places +/- 0.02" 3-places +/- 0.005" Angular +/- 1° Metric: Shown in [] refers to equivalent English Dim Tol "REF." or an Asterisk (*) = Non-Toleranced Reference Dimension, shown for clarification purposes only. NOTE: All tolerances are Non-Cumulative.	PROPRIETARY INFORMATION This Engineering Drawing, and the information contained herein, is proprietary to Cole Hersee Company and may not be disclosed, re-produced, or in any other way transferred or communicated to any other party without the express written consent of an authorized representative of Cole Hersee Company.	Special Characteristics: <input checked="" type="checkbox"/> Critical Characteristic, relating to Safety and/or Regulatory Compliance <input checked="" type="checkbox"/> Significant Characteristic relating to Process Control <input checked="" type="checkbox"/> Control Dimension relating to Form - Fit - Function as defined by Cole Hersee Company and/or the Customer	 Cole Hersee Co. 20 Old Colony Ave., South Boston, MA, 02127 Phn: 617-268-2100 Web: www.colehersee.com	Description: ROCKER SWITCH	Drawing / Part No.: 58327	Current Rev.: F
Rev.	Description of Change	ECN No.	Date											
E	ADD LAMP VOLTAGE NOTE	07303	08/06/07											
F	CHANGE NOTE	09378	07/30/09											
FORM CHT-6 (2/07) Used On or Ref.:								Scale: 1:1	Drawn BY: MJT	Date Drawn: 05/14/93	Pg. 1 of 2			

58327-09	SPDT	MOM ON 1 & 2	OFF	MOM ON 2 & 3	BLACK	1,2,3 & 4					H	RED	RED	12VDC	12VDC	4	
58327-08	SPST	OFF	NONE	ON 2 & 3	BLACK	2,3 & 4					J		GREEN		12VDC	5	
58327-07	SPDT	ON 1 & 2	OFF	ON 2 & 3	BLACK	1,2,3 & 4					H	GREEN	GREEN	12VDC	12VDC	4	
58327-06	SPDT	ON 1 & 2	OFF	ON 2 & 3	BLACK	1,2,3 & 4					H	RED	RED	12VDC	12VDC	4	
58327-05	SPST	OFF	NONE	ON 2 & 3	BLACK	2,3,4 & 6					H	RED	RED	12VDC	12VDC	3	
58327-04	SPST	OFF	NONE	ON 2 & 3	BLACK	2,3,4 & 6					G	RED		12VDC		2	
58327-03	SPST	OFF	NONE	ON 2 & 3	BLACK	2,3 & 4					G	BLUE		12VDC		1	
58327-02	SPST	OFF	NONE	ON 2 & 3	BLACK	2,3 & 4					G	GREEN		12VDC		1	
58327-01	SPST	OFF	NONE	ON 2 & 3	BLACK	2,3 & 4					G	RED		12VDC		1	
PT NO	TYPE OF SW	POS A	POS B	POS C	ROCKER COLOR	TERMINAL LOCATION	SEALED	IMPRINT SYMBOL	IMPRINT LOCATION	IMPRINT COLOR	LENS LOCATION	LENS 1 LENS COLOR	LENS 2 LENS COLOR	LENS 1 LAMP VOLTAGE	LENS 2 LAMP VOLTAGE	LAMP SCHEM	BUS BARS

Revision Control Record				Rev.	Description of Change	ECN No.	Date	Tolerances Unless otherwise specifically noted, the following are default tolerances: 2-places $\pm 0.02"$ 3-places $\pm 0.005"$ Angular $\pm 1^\circ$ Metric: Shown in [] refers to equivalent English Dim Tol "REF." or an Asterisk (*) = Non-Toleranced Reference Dimension, shown for clarification purposes only. NOTE: All tolerances are Non-Cumulative.			PROPRIETARY INFORMATION This Engineering Drawing, and the information contained herein, is proprietary to Cole Hersee Company and may not be disclosed, re-produced, or in any other way transferred or communicated to any other party without the express written consent of an authorized representative of Cole Hersee Company.			Special Characteristics: <input type="checkbox"/> Critical Characteristic, relating to Safety and/or Regulatory Compliance <input checked="" type="checkbox"/> Significant Characteristic relating to Process Control <input type="checkbox"/> Control Dimension relating to Form - Fit - Function as defined by Cole Hersee Company and/or the Customer			 Cole Hersee Co. 20 Old Colony Ave., South Boston, MA, 02127 Phn: 617-268-2100 Web: www.colehersee.com		
Rev.	Description of Change	ECN No.	Date											Description: ROCKER SWITCH					
	SEE PAGE 1 FOR REVISION LEVEL													Drawing / Part No.: 58327					
							FORM CHT-6 (207)			Used On or Ref.:			Scale: 1:1			Current Rev. SEE PAGE 1 FOR REV. LEVEL			
										Drawn BY: MJT			Date Drawn: 05/14/93			Pg. 2 of 2			

Revision Control Record			
Rev.	Description of Change	ECN No.	Date
R	ADDED SCHEM # TO 58328-64 & ROCKER PN. IMPRINTING	08413	7/10/08
S	NOTE CHANGE	09378	07/30/09



- Ⓢ NOTES:
1. ALL DIMENSIONS ARE REFERENCE ONLY
 2. CONTACT RATING:
25 AMPS @ 12V DC
15 AMPS @ 24V DC
 3. SILVER CONTACTS
 4. SWITCH FITS IN 0.093 [2.36] THRU 0.158 [4.75] THICK PANEL
 5. ALL SWITCHES ARE WEATHER RESISTANT
 6. FOR PILOT VOLTAGE RATING SEE LAMP VOLTAGE CHART

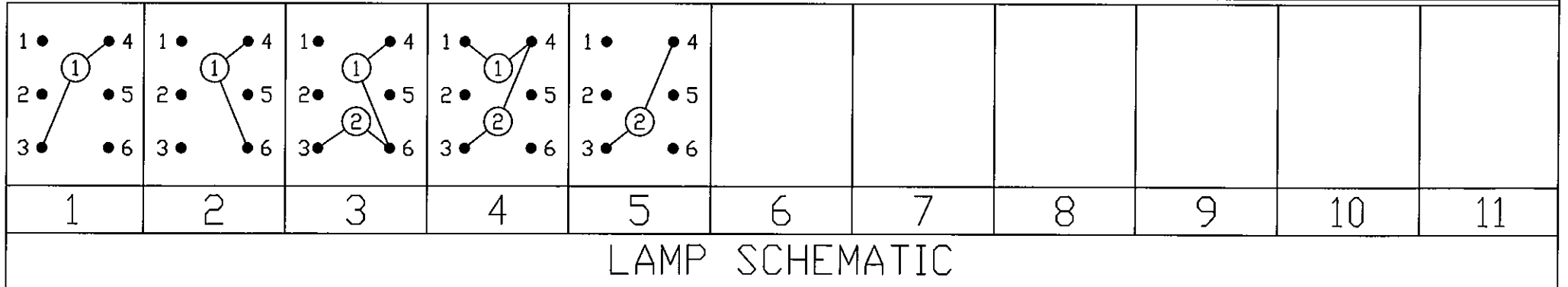
ROCKER POSITIONS			IMPRINTING LOCATION						LENS LOCATION		
POSITION A	POSITION B	POSITION C	LOCATION D	LOCATION E	LOCATION F	LOCATION G	LOCATION H	LOCATION J	LOCATION K	LOCATION L	LOCATION M

ROCKER COLORS
BLACK

LENS COLORS
AMBER
BLUE
GREEN
RED
CLEAR

IMPRINT COLORS
WHITE

LAMP VOLTAGE
12V DC
24V DC



Tolerances Unless otherwise specifically noted, the following are default tolerances:
 * 2-place Decimal Dimensions +/- .02"
 * 3-place Decimal Dimensions +/- .005"
 * Angular Dimensions +/- 1.0 Deg.
 * Metric: Refer to equivalent English Dimension Tolerance
 >>> NOTE: All tolerances are Non-Cumulative. <<<

Dimensional Units All dimensions are expressed in inches except those shown in brackets (xxx) are expressed in millimeters

"REF." or an Asterisk (*) = Non-Toleranced Reference Dimension, shown for clarification purposes only.

PROPRIETARY INFORMATION This Engineering Drawing, and the information contained herein, is proprietary to Cole Hersee Company and may not be disclosed, re-produced, or in any other way transferred or communicated to any other party without the express written consent of an authorized representative of Cole Hersee Company.

DESIGN CONTROL It is the responsibility of the individual using / referencing this drawing to assure that the noted design revision level agrees with the revision level of the Controlled Document (Master Drawing). This is a NON-CONTROLLED DOCUMENT unless otherwise specifically noted.

DO NOT SCALE - Dimensional variation may occur during printing / reproduction.

Key for Special Characteristics:

- Ⓢ Critical Characteristic, relating to Safety and/or Regulatory Compliance
- X Significant Characteristic relating to Process Control (SPC)
- Ⓢ Control Dimension relating to Form - Fit - Function as defined by Cole Hersee Company and/or the Customer

(Note that the identification of any Characteristics as being "Special" does not alter the requirement that ALL specified dimensions & tolerances must be met.)

Cole Hersee Co.
 20 Old Colony Ave., South Boston, MA, 02127
 Phn: 617-268-2100 Web: www.colehersee.com

Description: ROCKER SWITCH

Drawing / Part No.: **58328-CHART** Current Rev. **S**

58328-16	SPDT	ON 1 & 2	NONE	ON 2 & 3	BLACK	1,2,3 & 4				M	RED	RED	12VDC	12VDC	4	
58328-15	SPDT	ON 1 & 2	NONE	ON 2 & 3	BLACK	1,2,3 & 4				M	CLEAR	CLEAR	12VDC	12VDC	4	
58328-14	SPDT	ON 1 & 2	NONE	ON 2 & 3	BLACK	1,2,3 & 4				M	AMBER	AMBER	12VDC	12VDC	4	
58328-13	SPST	OFF	NONE	ON 2 & 3	BLACK	2,3 & 4				K	AMBER		12VDC		1	
58328-12	SPST	OFF	NONE	ON 2 & 3	BLACK	2,3 & 4				K	CLEAR		12VDC		1	
58328-11	SPST	OFF	NONE	ON 2 & 3	BLACK	2,3 & 4				K	GREEN		12VDC		1	
58328-10	SPST	OFF	NONE	ON 2 & 3	BLACK	2,3,4 & 6				K	AMBER		12VDC		2	
58328-09	SPST	OFF	NONE	ON 2 & 3	BLACK	2,3,4 & 6				K	CLEAR		12VDC		2	
58328-08	SPDT	ON 1 & 2	NONE	ON 2 & 3	BLACK	1,2,3 & 4				M	GREEN	GREEN	12VDC	12VDC	4	
58328-07	SPDT	ON 1 & 2	OFF	ON 2 & 3	BLACK	1,2,3 & 4				L	GREEN	CLEAR	12VDC	12VDC	4	
58328-06	SPDT	ON 1 & 2	OFF	ON 2 & 3	BLACK	1,2,3 & 4				L	RED	CLEAR	12VDC	12VDC	4	
58328-05	SPST	OFF	NONE	ON 2 & 3	BLACK	2,3,4 & 6				L	RED	CLEAR	12VDC	12VDC	3	
58328-04	SPST	OFF	NONE	ON 2 & 3	BLACK	2,3 & 4				K	RED		12VDC		1	
58328-03	SPST	OFF	NONE	ON 2 & 3	BLACK	2,3,4 & 6				K	BLUE		12VDC		2	
58328-02	SPST	OFF	NONE	ON 2 & 3	BLACK	2,3,4 & 6				K	GREEN		12VDC		2	
58328-01	SPST	OFF	NONE	ON 2 & 3	BLACK	2,3,4 & 6				K	RED		12VDC		2	

PT NO	TYPE OF SW	POS A	POS B	POS C	ROCKER COLOR	TERMINAL LOCATION	IMPRINT #1	IMPRINT #2	IMPRINT LOCATION	IMPRINT COLOR	LENS LOCATION	LENS 1	LENS 2	LENS 1	LENS 2	LAMP SCHEM	BUS BARS
		ROCKER POSITION										LENS COLOR	LENS COLOR	LAMP VOLTAGE	LAMP VOLTAGE		

Tolerances: Unless otherwise specifically noted, the following are default tolerances:
 * Alpha Dimensional Tolerances - ±.01"
 * Alpha Dimensional Tolerances - ±.005"
 * Alpha Dimensional Tolerances - ±.003"
 * Alpha: Refer to equivalent English Dimensional Tolerances via: www.colehersee.com/HerseeCompatibility.asp

Dimensional Limits: All dimensions are expressed in inches except those shown in brackets [] are expressed in millimeters.

REF: See an attached CD, when "Dimensional Differences" information, shown for identification purposes only.

Used On: []
 of Ref: []

Scale: **1:1**

RESPONSIBILITY INFORMATION: This Engineering Drawing, and the information contained herein, is proprietary to Cole Hersee Company and may not be disclosed, reproduced, or in any other way transmitted or disseminated to any other party without the express written consent of an authorized representative of Cole Hersee Company.

DATE CONTROL: It is the responsibility of the individual using this drawing to verify that the revision level of the dimensional document (this drawing) is the revision level of the dimensional document (reference drawing). This is a **NON-CONTROLLED DOCUMENT** unless otherwise specifically noted.

See REF 00001 - Dimensional notation may occur during printing/ reproduction.

Drawn By: **MJT**
 Date Drawn: **2/7/95**

Key for Special Characteristics:

⊕ Critical Characteristic, relating to Safety under Regulatory Compliance

⊖ Special Characteristic, relating to Process Control (MPC)

Ⓢ Critical Characteristic, relating to Form - Fit - Function as defined by Cole Hersee Company and/or the Customer

(Note that the identification of any Characteristics as being "Special" does not alter the requirement that ALL specifications (dimensions & tolerances) must be met.)

Responsible Engineer: []
 Pg. 2 of 6

Cole Hersee Co.
 28 Old Colony Ave., South Boston, MA, 02147
 Phone: 617-288-2100 Web: www.colehersee.com

Description: **ROCKER SWITCH**

Drawing/ Part No: **58328-CHART**

Current Rev: **SEE PG 1**

58328-48	SPST	OFF	NONE	ON 2 & 3	BLACK	2,3,4 & 6					L	GREEN	CLEAR	12VDC	12VDC	3	
58328-47	SPST	OFF	NONE	ON 2 & 3	BLACK	2,3,4 & 6					L	GREEN	AMBER	12VDC	12VDC	3	
58328-46	SPST	OFF	NONE	ON 2 & 3	BLACK	2,3,4 & 6					L	CLEAR	RED	12VDC	12VDC	3	
58328-45	SPST	OFF	NONE	ON 2 & 3	BLACK	2,3,4 & 6					L	CLEAR	GREEN	12VDC	12VDC	3	
58328-44	SPST	OFF	NONE	ON 2 & 3	BLACK	2,3,4 & 6					L	CLEAR	AMBER	12VDC	12VDC	3	
58328-43	SPST	OFF	NONE	ON 2 & 3	BLACK	2,3,4 & 6					L	AMBER	RED	12VDC	12VDC	3	
58328-42	SPST	OFF	NONE	ON 2 & 3	BLACK	2,3,4 & 6					L	AMBER	GREEN	12VDC	12VDC	3	
58328-41	SPST	OFF	NONE	ON 2 & 3	BLACK	2,3,4 & 6					L	AMBER	CLEAR	12VDC	12VDC	3	
58328-40	SPST	OFF	NONE	ON 2 & 3	BLACK	2,3,4 & 6					L	RED	RED	12VDC	12VDC	3	
58328-39	SPST	OFF	NONE	ON 2 & 3	BLACK	2,3,4 & 6					L	GREEN	GREEN	12VDC	12VDC	3	
58328-38	SPST	OFF	NONE	ON 2 & 3	BLACK	2,3,4 & 6					L	CLEAR	CLEAR	12VDC	12VDC	3	
58328-37	SPST	OFF	NONE	ON 2 & 3	BLACK	2,3,4 & 6					L	AMBER	AMBER	12VDC	12VDC	3	
58328-36	SPDT	ON 1 & 2	OFF	ON 2 & 3	BLACK	1,2,3 & 4					L	RED	GREEN	12VDC	12VDC	4	
58328-35	SPDT	ON 1 & 2	OFF	ON 2 & 3	BLACK	1,2,3 & 4					L	RED	AMBER	12VDC	12VDC	4	
58328-34	SPDT	ON 1 & 2	OFF	ON 2 & 3	BLACK	1,2,3 & 4					L	GREEN	RED	12VDC	12VDC	4	
58328-33	SPDT	ON 1 & 2	OFF	ON 2 & 3	BLACK	1,2,3 & 4					L	GREEN	AMBER	12VDC	12VDC	4	

PT NO	TYPE OF SW	POS A	POS B	POS C	ROCKER POSITION	ROCKER COLOR	TERMINAL LOCATION	IMPRINT #1	IMPRINT #2	IMPRINT LOCATION	IMPRINT COLOR	LENS LOCATION	LENS COLOR	LENS 1	LENS 2	LENS 1 LAMP VOLTAGE	LENS 2 LAMP VOLTAGE	LAMP SCHEM	BUS BARS
-------	------------	-------	-------	-------	-----------------	--------------	-------------------	------------	------------	------------------	---------------	---------------	------------	--------	--------	---------------------	---------------------	------------	----------

Tolerances: Unless otherwise specifically noted, the following are standard tolerances:
 • Positive Dimensional Tolerances: +0.01"
 • Negative Dimensional Tolerances: -0.005"
 • Angles: Dimensional Tolerance: ±0.1 Deg.
 • Holes: Refer to applicable Positional Tolerance table.
 • Holes: All dimensions are Non-Coordinate, UN.

Dimensional Limits: All dimensions are expressed in inches unless those shown in brackets [] are expressed in millimeters.

FINISH: All surfaces, UN, unless otherwise specified.

ASSEMBLY INSTRUCTIONS: This Engineering Drawing, and the information contained herein, is the property of Cole Hersee Company and may not be duplicated, copied, reprinted, or in any other manner disseminated or transmitted in any other form without the express written consent of an authorized representative of Cole Hersee Company.

REVISIONS: It is the responsibility of the individual user/submitter to ensure that the revised design remains current with the current level of the Controlled Document (master drawing). This is a NON-CONTROLLED DOCUMENT unless otherwise specified.

DO NOT MODIFY: Dimensional variation may occur during assembly/operation.

Used On or Ref: **Scale: 1:1**

Drawn **MJT** Date **2/7/95**

Responsible Engineer: **Pg. 4 of 6**

Cole Hersee Co.
 20 Old Colony Ave., South Boston, MA, 02127
 Fax: 617-388-2100 Web: www.colehersee.com

Description: **ROCKER SWITCH**

Drawing / Part No.: **58328-CHART**

Current Rev.: **SEE PG 1**

58328-62	SPST	OFF	NONE	ON 2 & 3	BLACK	2,3, & 4					K	AMBER			24VDC	1	
58328-61	SPDT	ON 1 & 2	OFF	ON 2 & 3	BLACK	1,2,3, & 4					M	CLEAR	GREEN	12VDC	12VDC	4	
58328-60 OBSOLETE																	
58328-59	SPST	OFF	NONE	ON 2 & 3	BLACK	2,3 & 4	⊕D			E	WHITE	K	GREEN		12VDC	1	
58328-58	SPST	OFF	NONE	ON 2 & 3	BLACK	2,3 & 4					K	RED		24VDC		1	
58328-57	SPDT	ON 1 & 2	OFF	ON 2 & 3	BLACK	1,2,3 & 4					M	RED	RED	12VDC	12VDC	4	
58328-56	SPDT	COM ON 1 & 2	OFF	ON 2 & 3	BLACK	1,2,3 & 4					K	GREEN		12VDC		1	
58328-55	SPST	OFF		ON 2 & 3	BLACK	2,3 & 4					K	BLUE		12VDC		1	
58328-54	SPDT	ON 1 & 2	OFF	ON 2 & 3	BLACK	1,2,3, 4 & 6					M	RED	RED	12VDC	12VDC	3	
58328-53	SPDT	ON 1 & 2	OFF	COM ON 2 & 3	BLACK	1,2,3, 4 & 6					M	GREEN	GREEN	12VDC	12VDC	3	
58328-52	SPST	OFF	NONE	COM ON	BLACK	2,3 & 4					K	RED		12VDC		1	
58328-51	SPST	OFF	NONE	ON 2 & 3	BLACK	2,3,4 & 6					L	RED	GREEN	12VDC	12VDC	3	
58328-50	SPST	OFF	NONE	ON 2 & 3	BLACK	2,3,4 & 6					L	RED	AMBER	12VDC	12VDC	3	
58328-49	SPST	OFF	NONE	ON 2 & 3	BLACK	2,3,4 & 6					L	GREEN	RED	12VDC	12VDC	3	
PT NO	TYPE OF SW	POS A	POS B	POS C	ROCKER COLOR	TERMINAL LOCATION	IMPRINT #1	IMPRINT #2	IMPRINT LOCATION	IMPRINT COLOR	LENS LOCATION	LENS 1 LENS COLOR	LENS 2 LENS COLOR	LENS 1 LAMP VOLTAGE	LENS 2 LAMP VOLTAGE	LAMP SCHEM	BUS BARS

Terminology: Unless otherwise specifically stated, the following are defined as follows:
 * Surface Feature Dimension: in. ±.02
 * Surface Feature Dimension: in. ±.005
 * Angular Dimension: in. ±.02 Deg.
 * Note: Refer to equivalent British Dimensional Tolerance
 *** NOTE: All dimensions are UNLESS OTHERWISE SPECIFIED ***

Dimensional Limits: All dimensions are expressed in inches unless otherwise stated in brackets [in.] are expressed in millimeters.

WELDING: as specified in "Weld-Terminology Reference Information" which is distributed separately only.

Used On _____
 or Ref. _____

PROPERTY INFORMATION: This Engineering Drawing, and the associated technical data, is property of Cole Hersee Company and may not be disclosed, reproduced, or in any other way transmitted or disseminated to any other party without the express written consent of an authorized representative of Cole Hersee Company.

DESIGN CONTROL: It is the responsibility of the individual(s) performing this drawing to assure that the latest design revision (and agrees with the revision listed in the Current Equipment Change Drawing). This is a NON-CONTROLLED DOCUMENT unless otherwise specifically noted.

DO NOT SCALE - Dimensional notation may occur during plotting/ reproduction.

Drawn: MJT
 Date: 2/7/98

Key for Symbol Characteristics:

⊕ Critical Characteristics, relating to Safety and/or Regulatory Compliance

⊕ Significant Characteristics relating to Process Control (IPC)

⊕ Control Dimension relating to Form - Fit - Function as defined by Cole Hersee Company under the Customer Agreement. This is a NON-CONTROLLED DOCUMENT unless otherwise specifically noted.

⊕ Note that the identification of any characteristic as being "Open B" does not alter the requirement that ALL specified dimensions & tolerances must be met.

Responsible Engineer: _____

Cole Hersee Co.
 20 Old Colony Ave., South Boston, MA, 02127
 Phone: 617-268-2100 Web: www.colehersee.com

ROCKER SWITCH

Drawing / Part No.: **58328-CHART**

Current Rev.: SEE PG 1

Pg. 5 of 6

PT NO	TYPE OF SW	POS A ROCKER POSITION	POS B	POS C	ROCKER COLOR	TERMINAL LOCATION	IMPRINT #1	IMPRINT #2	IMPRINT LOCATION	IMPRINT COLOR	LENS LOCATION	LENS 1 LENS COLOR	LENS 2 LENS COLOR	LENS 1 LAMP VOLTAGE	LENS 2 LAMP VOLTAGE	LAMP SCHEM	BUS BARS
④ 58328-65	SPDT	ON 1 & 2	NONE	ON 2 & 3	BLACK	1,2,3,4, & 6					K	GREEN		12VDC		2	
④ ⑤ ⑥ 58328-64	SPST	OFF	NONE	ON 2 & 3	BLACK	2,3, & 4	⌘		E	WHITE	K	AMBER		12VDC		④ 1	
58328-63	SPST	OFF	NONE	MOM ON 2 & 3	BLACK	2,3,4 & 6					K	GREEN		12VDC		2	

Tolerances Unless otherwise specifically noted, the following are default tolerances:
 • 2-place Decimal Dimensions +/- .02"
 • 3-place Decimal Dimensions +/- .005"
 • Angular Dimensions +/- 1.0 Deg.
 • Metric: Refer to equivalent English Dimension Tolerance
 >>> NOTE: All tolerances are Non-Cumulative. <<<

Dimensional Units All dimensions are expressed in inches except those shown in brackets (xxx) are expressed in millimeters

"REF." or an Asterisk (*) = Non-Toleranced Reference Dimension, shown for clarification purposes only.

Used On or Ref.: _____

PROPRIETARY INFORMATION This Engineering Drawing, and the information contained herein, is proprietary to Cole Hersee Company and may not be disclosed, re-produced, or in any other way transferred or communicated to any other party without the express written consent of an authorized representative of Cole Hersee Company.

DESIGN CONTROL It is the responsibility of the individual using / referencing this drawing to assure that the noted design revision level agrees with the revision level of the Controlled Document (Master Drawing). This is a NON-CONTROLLED DOCUMENT unless otherwise specifically noted.

DO NOT SCALE - Dimensional variation may occur during printing / reproduction.

Scale: **1:1**

Drawn By: **MJT**

Date Drawn: **2/7/95**

Key for Special Characteristics:

Ⓞ Critical Characteristic, relating to Safety and/or Regulatory Compliance

Ⓧ Significant Characteristic relating to Process Control (SPC)

Ⓞ Control Dimension relating to Form - Fit - Function as defined by Cole Hersee Company and/or the Customer

(Note that the identification of any Characteristics as being "Special" does not alter the requirement that ALL specified dimensions & tolerances must be met.)

Cole Hersee Co.
 20 Old Colony Ave., South Boston, MA, 02127
 Phn: 617-288-2100 Web: www.colehersee.com

Description: ROCKER SWITCH

Drawing / Part No.: **58328-CHART**

Current Rev.: **SEE PG 1**

Pg. 6 of 6

MM	IN
6.35	0.250
20.83	0.820
21.08	0.830
23.88	0.940
34.80	1.370
36.83	1.450
37.57	1.479
39.37	1.550
49.10	1.933

INK STAMP COLE HERSEE LOGO,
PART NUMBER & DATE CODE

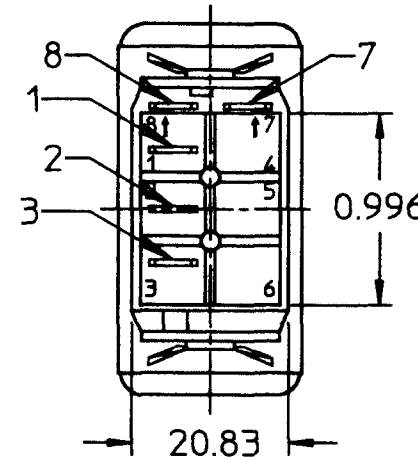
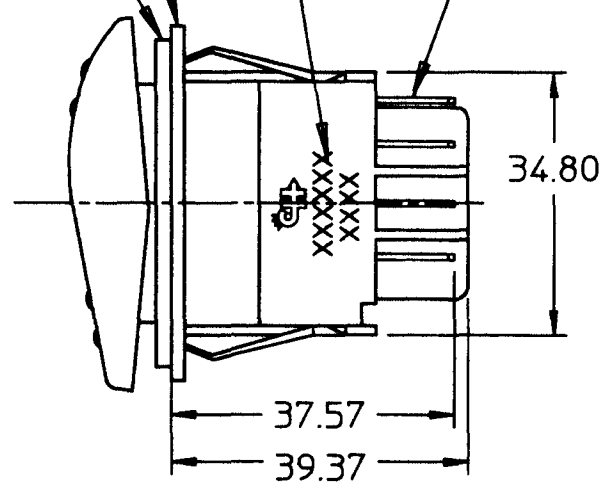
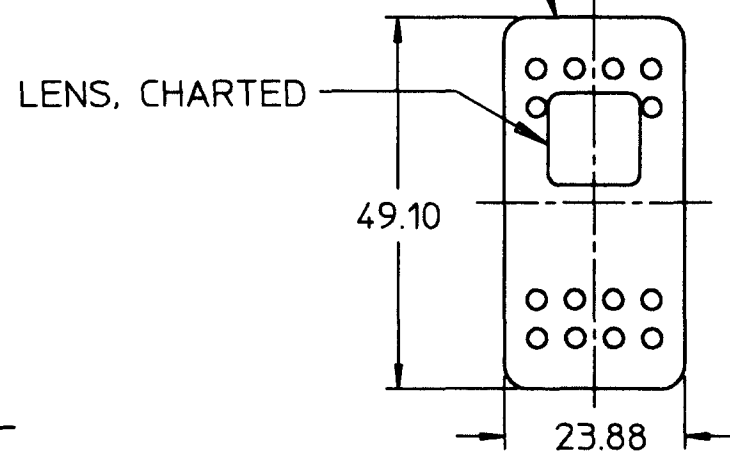
PANEL SEAL OPTIONAL
SEE CHART

BEZEL, PLASTIC, BLACK

ROCKER, PLASTIC,
COLOR CHARTED

LENS, CHARTED

TERMINALS, MALE BLADE, 6.35 WIDE.
TERMINALS ARRANGED TO FIT COLE HERSEE
CONNECTOR #30175 OR INDIVIDUAL C-H
QUICK CONNECT TYPE TERMINALS #31100
OR 31341

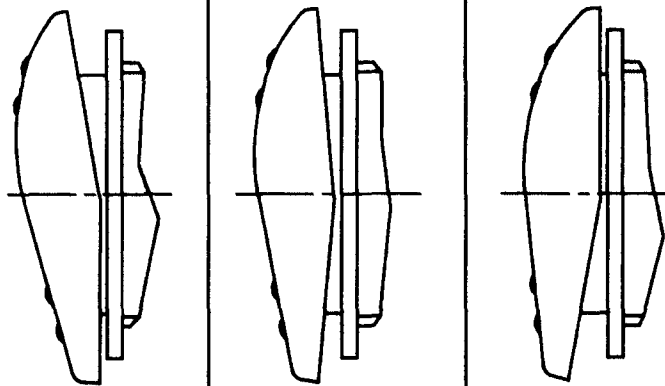


NOTES:

1. ALL DIMENSIONS ARE REFERENCE ONLY
2. SILVERED CONTACT SURFACES
3. CONTACT RATING:
20 AMPS @ 12V DC
15 AMPS @ 24V DC

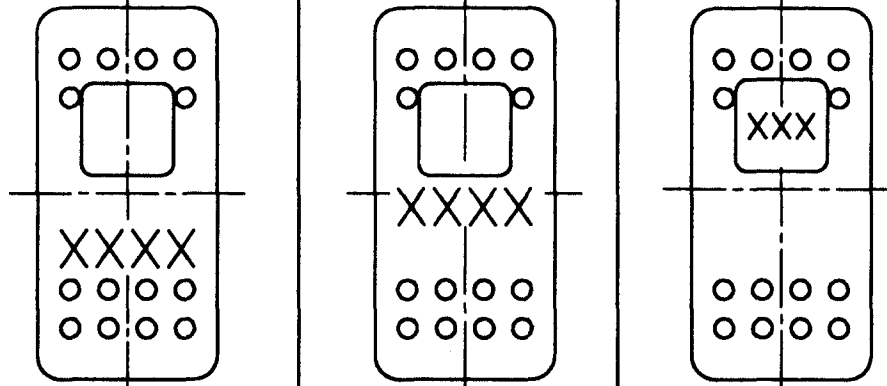
METRIC

ROCKER POSITIONS



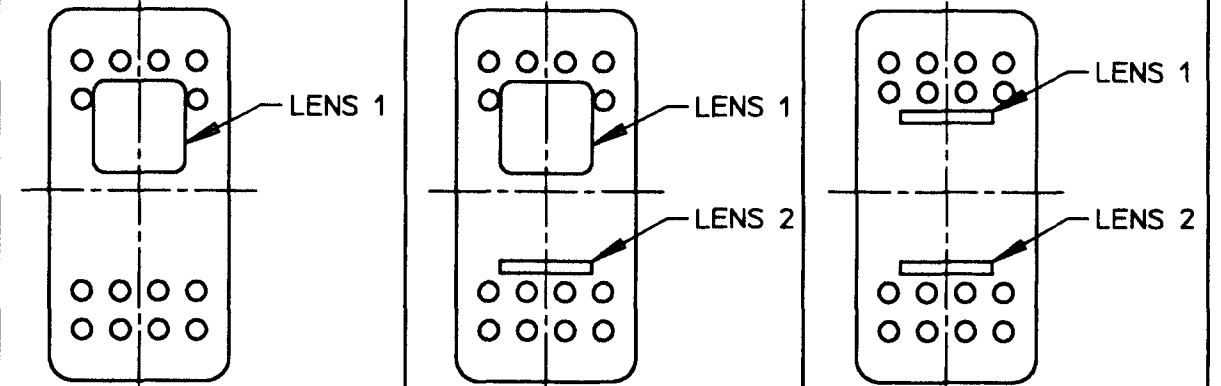
POSITION A POSITION B POSITION C

IMPRINTING LOCATION



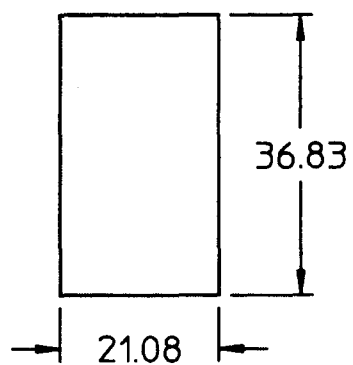
LOCATION D LOCATION E LOCATION F

LENS LOCATION



LOCATION G LOCATION H LOCATION J

MOUNTING HOLE DETAIL



ROCKER COLORS

BLACK
GRAY
RED
WHITE

IMPRINT COLORS

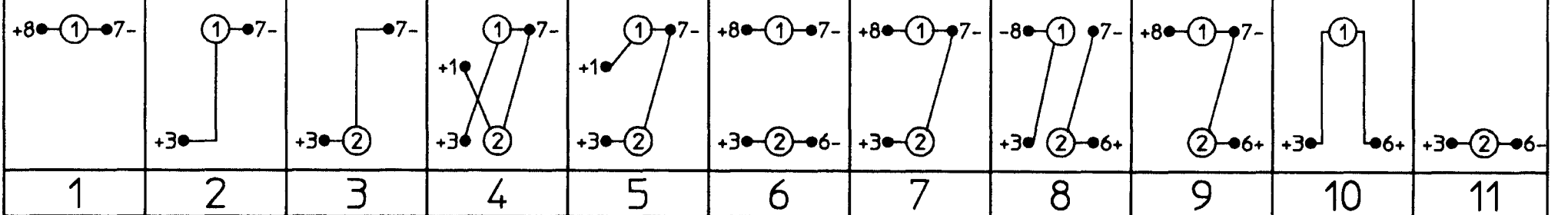
BLACK
WHITE

LAMP VOLTAGE

12V DC
24V DC

LENS COLORS

AMBER
BLUE
CLEAR
GREEN
RED
WHITE



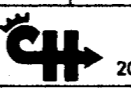
LAMP SCHEMATIC

LET.	WAS	DATE	BY	LET.	WAS	DATE	BY	MATERIAL	DRAWN	CHK	APVD	SCALE	DATE DRAWN
									MB	JMP		1:1	8/7/95
										Cole Hersee Co. 20 OLD COLONY AVENUE, BOSTON, MA, U.S.A. 02127		DATE BLUEPRINTED	
										TOLERANCES DECIMAL ± ANGLE ±		ROCKER SWITCH 58331	

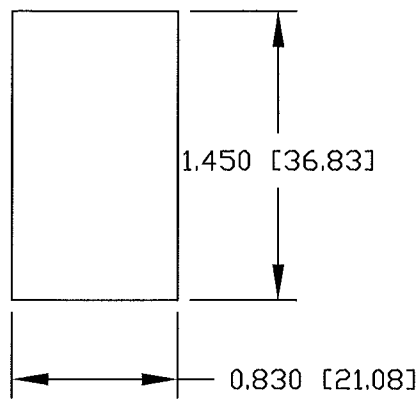
DO NOT SCALE

PT NO	TYPE OF SW	ROCKER POSITION			ROCKER COLOR	TERMINAL LOCATION	SEALED	IMPRINT SYMBOL	IMPRINT LOCATION	IMPRINT COLOR	LENS LOCATION	LENS COLOR		LAMP VOLTAGE		LAMP SCHEMATIC	PANEL SEAL SHIPPED LOOSE
		POS A	POS B	POS C								LENS 1	LENS 2	LENS 1	LENS 2		
58331-01	SPDT	ON 1 & 2	OFF	ON 2 & 3	BLACK	1, 2, 3 & 7	YES				J	RED	RED	12V DC	12V DC	5	YES

DO NOT SCALE

LET.	WAS	DATE	BY	LET.	WAS	DATE	BY	MATERIAL	DRAWN MB	CHK AF	APVD	SCALE 1:1	DATE DRAWN 8/7/95
								FINISH	 Cole Hersee Co. 20 OLD COLONY AVENUE, BOSTON, MA., U.S.A., 02127				DATE BLUEPRINTED
									TOLERANCES DECIMAL ± ANGLE ±		ROCKER SWITCH		58331

MOUNTING HOLE DETAIL



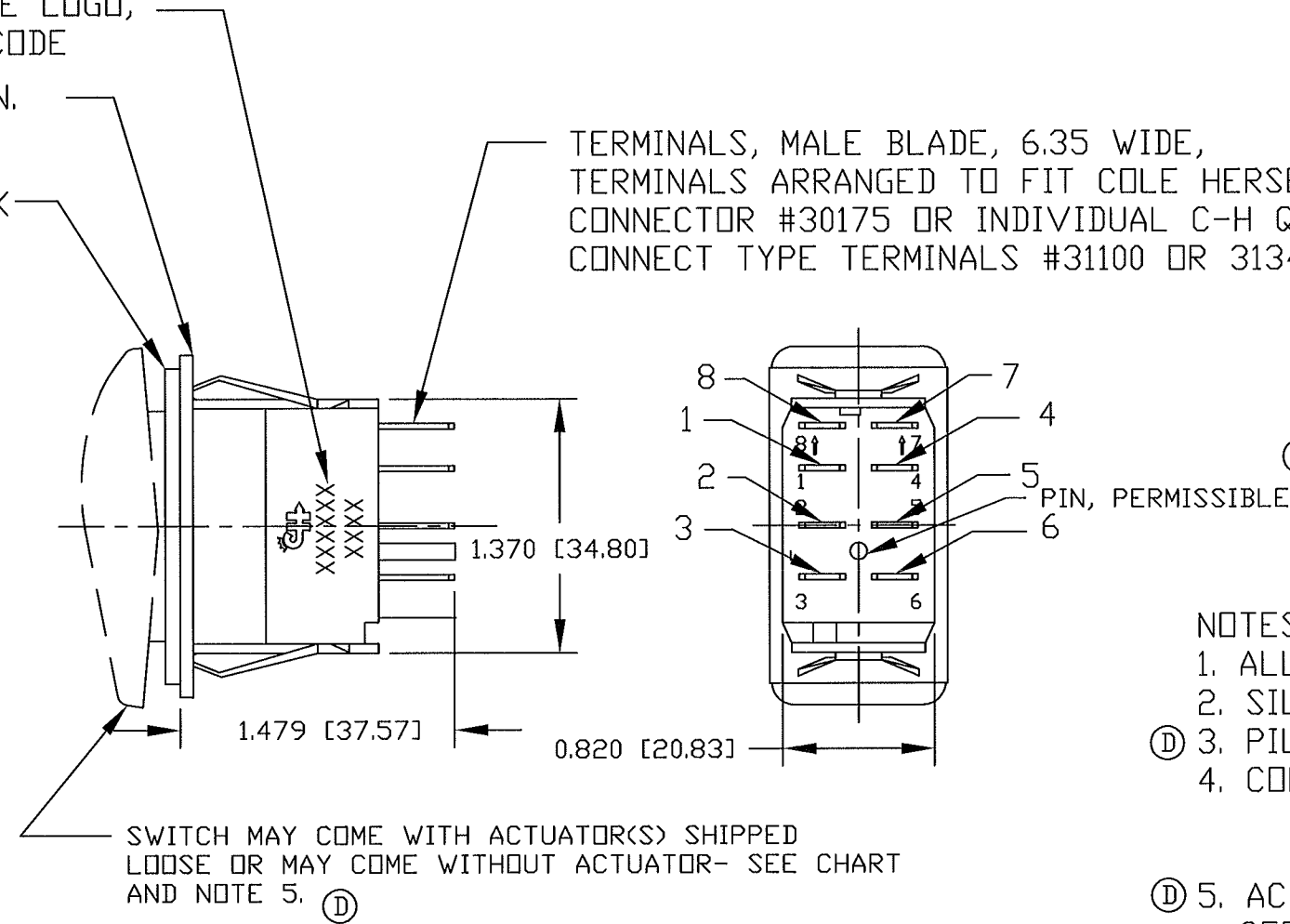
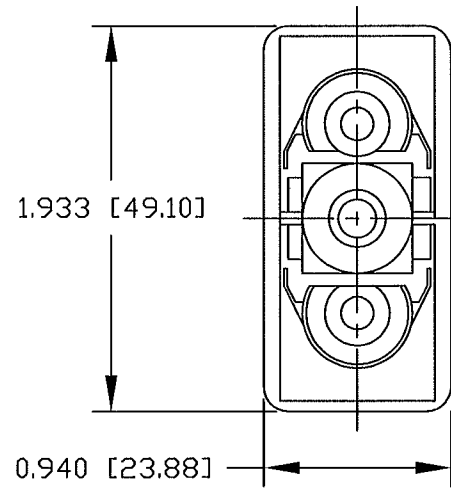
<u>Revision Control Record</u>			
Rev.	Description of Change	ECN No.	Date
D	ADDED -08 TO -29 & INDEX PIN	06004	01/06/06
E	ADDED -30 TO -34	11009	11/18/10

INK STAMP COLE HERSEE LOGO,
PART NUMBER & DATE CODE

PANEL SEAL OPTION.
SEE CHART

BEZEL, PLASTIC, BLACK

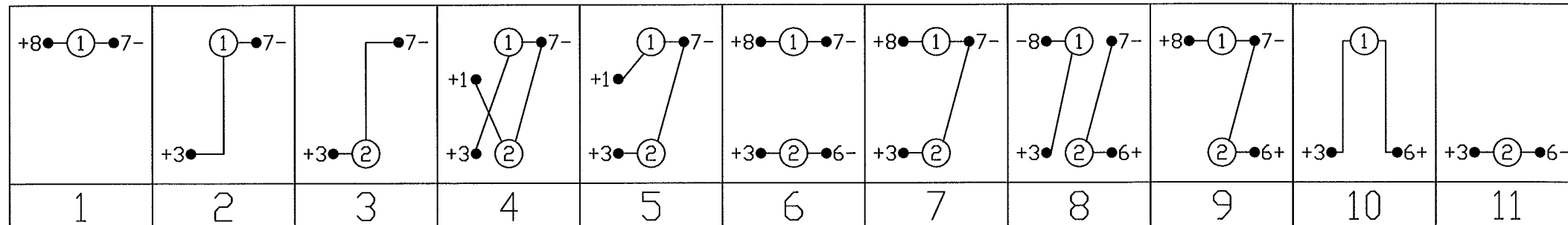
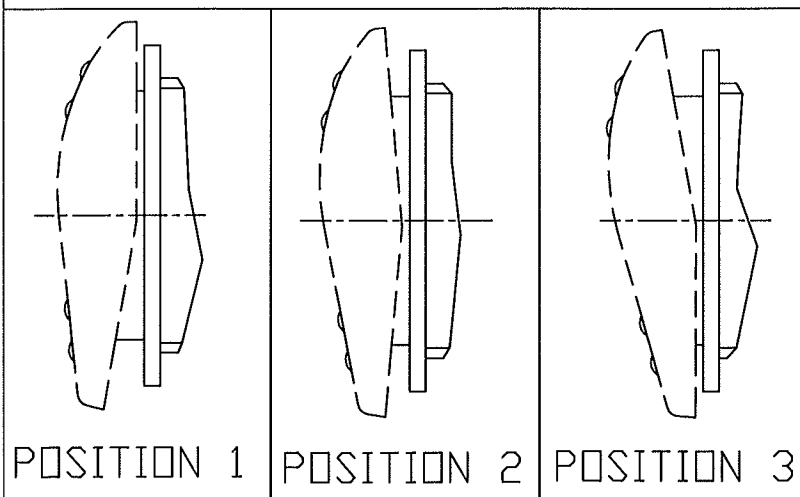
TERMINALS, MALE BLADE, 6.35 WIDE,
TERMINALS ARRANGED TO FIT COLE HERSEE
CONNECTOR #30175 OR INDIVIDUAL C-H QUICK
CONNECT TYPE TERMINALS #31100 OR 31341



SWITCH MAY COME WITH ACTUATOR(S) SHIPPED
LOOSE OR MAY COME WITHOUT ACTUATOR- SEE CHART
AND NOTE 5. (D)

- NOTES:
1. ALL DIMENSIONS ARE REFERENCE ONLY
 2. SILVER CONTACT SURFACES
 - (D) 3. PILOT LIGHT TYPE AND RATING: SEE CHART.
 4. CONTACT RATING:
20 AMPS @ 12V DC
15 AMPS @ 24V DC
 - (D) 5. ACTUATOR MAY OR MAY NOT BE SUPPLIED.
SEE CHART.

ROCKER POSITIONS



LAMP SCHEMATIC

Tolerances Unless otherwise specifically noted, the following are default tolerances:
 * 2-place Decimal Dimensions +/- .02"
 * 3-place Decimal Dimensions +/- .005"
 * Angular Dimensions +/- 1.0 Deg.
 * Metric: Refer to equivalent English Dimension Tolerance
 >>> NOTE: All tolerances are Non-Cumulative. <<<

Dimensional Units All dimensions are expressed in inches except those shown in brackets (xxx) are expressed in millimeters

"REF." or an Asterisk (*) = Non-Toleranced Reference Dimension, shown for clarification purposes only.

Used On: **EX26511** Scale: **1:1**

PROPRIETARY INFORMATION This Engineering Drawing, and the information contained herein, is proprietary to Cole Hersee Company and may not be disclosed, re-produced, or in any other way transferred or communicated to any other party without the express written consent of an authorized representative of Cole Hersee Company.

DESIGN CONTROL It is the responsibility of the individual using / referencing this drawing to assure that the noted design revision level agrees with the revision level of the Controlled Document (Master Drawing). This is a NON-CONTROLLED DOCUMENT unless otherwise specifically noted.

DO NOT SCALE - Dimensional variation may occur during printing / reproduction.

Drawn By: **JMP** Date Drawn: **01/10/97**

Special Characteristics:

- (CC) Critical Characteristic, relating to Safety and/or Regulatory Compliance
- (X) Significant Characteristic relating to Process Control (SPC)
- (KC) Control Dimension relating to Form - Fit - Function as defined by Cole Hersee Company and/or the Customer

(Note that the Identification of any Characteristics as being "Special" does not alter the requirement that ALL specified dimensions & tolerances must be met.)

Responsible Engineer: **G.AUGUSTE** Pg. 1 of 5

Cole Hersee Co.
 20 Old Colony Ave., South Boston, MA, 02127
 Phn: 617-268-2100 Web: www.colehersee.com

Description:
ROCKER SWITCH

Drawing / Part No.: **58332 CHART** **E**

Revision Control Record

Rev.	Description of Change	ECN No.	Date
	SEE PAGE 1		
	FOR REVISIONS		

58332-09 [Ⓛ]	SPDT	2 & 3 ON	OFF	1 & 2 ON	1, 2, 3 & 7	YES	LED AMBER 24VDC	LED AMBER 24VDC	4	YES	//	//
58332-08 [Ⓛ]	SPST	MOM ON 2 & 3	//	OFF	2 & 3	YES	//	//	//	YES	//	//
58332-07	SP	ON 2, 3 5, 6	ON 2 & 3	OFF	2, 3, 5, 6, 7 & 8	YES	LED GREEN SUPERBRIGHT 12VDC	LED RED 12VDC	7	YES	2 & 5	//
58332-06	SPST	MOM OFF	//	ON 2 & 1	1, 2, 7 & 8	YES	LED RED 12VDC	//	1	YES	//	//
58332-05	SP	MOM ON 2, 3 5 & 6	2 & 3	OFF	2, 3, 5, 6, 7 & 8	YES	LED GREEN SUPERBRIGHT 12VDC	LED RED 12VDC	7	YES	2 & 5	//
58332-04	SPST	ON 2 & 3	//	OFF	2, 3, 7 & 8	YES	LED GREEN SUPERBRIGHT 12VDC	LED RED 12VDC	7	YES	//	//
58332-03	SPST	MOM ON 2 & 3	//	OFF	2, 3, 7 & 8	YES	LED GREEN SUPERBRIGHT 12VDC	//	1	YES	//	//
58332-02	SPDT	MOM ON 2 & 3	OFF	MOM ON 2 & 1	1, 2, 3, 7 & 8	YES	LED GREEN SUPERBRIGHT 12VDC	//	1	YES	//	//
58332-01	SP	MOM ON 2 & 3 5 & 6	OFF	MOM ON 2 & 1 5 & 4	1, 2, 3, 4, 5, 6, 7 & 8	YES	LED GREEN SUPERBRIGHT 12VDC	//	1	YES	2 & 5	//
PART NO	TYPE OF SW	POS 1	POS 2	POS 3	TERMINAL LOCATION	SEALED	1	2	LAMP SCHEMATIC	PANEL SEAL ASSM	JUMPER	ACTUATOR PART NO. [Ⓛ]
		ROCKER POSITION					LAMP VOLTAGE					

Tolerances Unless otherwise specifically noted, the following are default tolerances;
 * 2-place Decimal Dimensions +/- .02"
 * 3-place Decimal Dimensions +/- .005"
 * Angular Dimensions +/- 1.0 Deg.
 * Metric: Refer to equivalent English Dimension Tolerance
 >>> NOTE: All tolerances are Non-Cumulative. <<<

Dimensional Units All dimensions are expressed in inches except those shown in brackets (xxx) are expressed in millimeters

"REF." or an Asterisk (*) = Non-Toleranced Reference Dimension, shown for clarification purposes only.

Used On or Ref.: Scale: **1:1**

PROPRIETARY INFORMATION This Engineering Drawing, and the information contained herein, is proprietary to Cole Hersee Company and may not be disclosed, re-produced, or in any other way transferred or communicated to any other party without the express written consent of an authorized representative of Cole Hersee Company.

DESIGN CONTROL It is the responsibility of the individual using / referencing this drawing to assure that the noted design revision level agrees with the revision level of the Controlled Document (Master Drawing). This is a NON-CONTROLLED DOCUMENT unless otherwise specifically noted.

DO NOT SCALE - Dimensional variation may occur during printing / reproduction.

Drawn **DPS** Date **12/2/05**

Special Characteristics:

- Critical Characteristic, relating to Safety and/or Regulatory Compliance
- Significant Characteristic relating to Process Control (SPC)
- Control Dimension relating to Form - Fit - Function as defined by Cole Hersee Company and/or the Customer

(Note that the identification of any Characteristics as being "Special" does not alter the requirement that ALL specified dimensions & tolerances must be met.)

Responsible Engineer: **G.AUGUSTE** Pg. 2 of 5

Cole Hersee Co.
 20 Old Colony Ave., South Boston, MA, 02127
 Phn: 617-268-2100 Web: www.colehersee.com

Description:
ROCKER SWITCH

Drawing / Part No.: **58332 CHART E**

Revision Control Record

Rev.	Description of Change	ECN No.	Date
	SEE PAGE 1		
	FOR REVISIONS		

PART NO	TYPE OF SW	POS 1	POS 2	POS 3	TERMINAL LOCATION	SEALED	1	2	LAMP SCHEMATIC	PANEL SEAL ASSM	JUMPER	ACTUATOR PART NO. (D)
		ROCKER POSITION					LAMP VOLTAGE					
58332-21 (D)	SPDT	2 & 3 ON	OFF	2 & 1 ON	1, 2, 3 & 7	YES	LED AMBER 24VDC	LED AMBER 24VDC	4	YES	//	99041-4 99041-5
58332-20 (D)	SPST	MOM ON 2 & 3	//	OFF	2 & 3	YES	//	//	//	YES	//	99041 99041-1
58332-16 (D)	DPST	2 & 3 5 & 6 ON	//	OFF	2, 3, 5 6 & 7	YES	LED AMBER 24VDC	//	2	YES	//	//
58332-15 (D)	DPST	2 & 3 5 & 6 MOM ON	//	OFF	2, 3, 5 & 6	YES	//	//	//	YES	//	//
58332-14 (D)	DPDT	2 & 3 5 & 6 MOM ON	OFF	2 & 1 5 & 4 MOM ON	1, 2, 3, 4, 5, 6	YES	//	//	//	YES	//	//
58332-13 (D)	DPDT	2 & 3 5 & 6 ON	OFF	2 & 1 5 & 4 ON	1, 2, 3, 4, 5, 6 & 7	YES	LED AMBER 24VDC	LED AMBER 24VDC	4	YES	//	//
58332-12 (D)	DPDT	2 & 3 5 & 6 ON	OFF	2 & 1 5 & 4 MOM. ON	1, 2, 3, 4, 5, 6 & 7	YES	LED AMBER 24VDC	//	2	YES	//	//
58332-11 (D)	SPDT	2 & 3 ON	OFF	2 & 1 MOM. ON	1, 2, 3 & 7	YES	LED AMBER 24VDC	//	2	YES	//	//
58332-10 (D)	SPDT	2 & 3 MOM. ON	OFF	2 & 1 MOM. ON	1, 2 & 3	YES	//	//	//	YES	//	//

Tolerances Unless otherwise specifically noted, the following are default tolerances;
 * 2-place Decimal Dimensions +/- .02"
 * 3-place Decimal Dimensions +/- .005"
 * Angular Dimensions +/- 1.0 Deg.
 * Metric: Refer to equivalent English Dimension Tolerance
 >>> NOTE: All tolerances are Non-Cumulative. <<<

Dimensional Units All dimensions are expressed in inches except those shown in brackets (xxx) are expressed in millimeters

"REF." or an Asterisk (*) = Non-Toleranced Reference Dimension, shown for clarification purposes only.

PROPRIETARY INFORMATION This Engineering Drawing, and the information contained herein, is proprietary to Cole Hersee Company and may not be disclosed, re-produced, or in any other way transferred or communicated to any other party without the express written consent of an authorized representative of Cole Hersee Company.

DESIGN CONTROL It is the responsibility of the individual using / referencing this drawing to assure that the noted design revision level agrees with the revision level of the Controlled Document (Master Drawing). This is a NON-CONTROLLED DOCUMENT unless otherwise specifically noted.

DO NOT SCALE - Dimensional variation may occur during printing / reproduction.

Special Characteristics:

- Critical Characteristic, relating to Safety and/or Regulatory Compliance
- Significant Characteristic relating to Process Control (SPC)
- Control Dimension relating to Form - Fit - Function as defined by Cole Hersee Company and/or the Customer

(Note that the identification of any Characteristics as being "Special" does not alter the requirement that ALL specified dimensions & tolerances must be met.)

Cole Hersee Co.
 20 Old Colony Ave., South Boston, MA, 02127
 Phn: 617-268-2100 Web: www.colehersee.com

Description:
ROCKER SWITCH

Drawing / Part No.: **58332 CHART** **E**

Used On or Ref.:

Scale: **1:1**
 Drawn By: **DPS**
 Date Drawn:

Responsible Engineer: **G.AUGUSTE**
 Pg. 3 of 5

Revision Control Record

Rev.	Description of Change	ECN No.	Date
	SEE PAGE 1		
	FOR REVISIONS		

PART NO	TYPE OF SW	POS 1	POS 2	POS 3	TERMINAL LOCATION	SEALED	1	2	LAMP SCHEMATIC	PANEL SEAL ASSM	JUMPER	ACTUATOR PART NO.
		ROCKER POSITION					LAMP VOLTAGE					
58332-30 [ⓔ]	SPDT	2 & 3 ON	OFF	1 & 2 ON	1, 2, 3 & 7	YES	LED AMBER SUPERBRIGHT 12VDC	LED AMBER SUPERBRIGHT 12VDC	4	YES	//	//
58332-29 [ⓓ]	DPST	2 & 3 5 & 6 ON	//	OFF	2, 3, 5 6 & 7	YES	LED AMBER 24VDC	//	2	YES	//	99041-2 99041-3
58332-28 [ⓓ]	DPST	2 & 3 5 & 6 MOM ON	//	OFF	2, 3, 5 & 6	YES	//	//	//	YES	//	99041 99041-1
58332-27 [ⓓ]	DPDT	2 & 3 5 & 6 MOM ON	OFF	2 & 1 5 & 4 MOM ON	1, 2, 3, 4, 5, 6	YES	//	//	//	YES	//	99041 99041-1
58332-26 [ⓓ]	DPDT	2 & 3 5 & 6 ON	OFF	2 & 1 5 & 4 ON	1, 2, 3, 4, 5, 6 & 7	YES	LED AMBER 24VDC	LED AMBER 24VDC	4	YES	//	99041-4 99041-5
58332-25 [ⓓ]	DPDT	2 & 3 5 & 6 ON	OFF	2 & 1 5 & 4 MOM. ON	1, 2, 3, 4, 5, 6 & 7	YES	LED AMBER 24VDC	//	2	YES	//	99041-2 99041-3
58332-24 [ⓓ]	SPDT	2 & 3 MOM ON	OFF	2 & 1 MOM ON	1, 2 & 3	YES	//	//	//	YES	//	99041-6 99041-7
58332-23 [ⓓ]	SPDT	2 & 3 ON	OFF	2 & 1 MOM. ON	1, 2, 3 & 7	YES	LED AMBER 24VDC	//	2	YES	//	99041-2 99041-3
58332-22 [ⓓ]	SPDT	2 & 3 MOM. ON	OFF	2 & 1 MOM. ON	1, 2 & 3	YES	//	//	//	YES	//	99041 99041-1

Tolerances Unless otherwise specifically noted, the following are default tolerances:
 * 2-place Decimal Dimensions +/- .02"
 * 3-place Decimal Dimensions +/- .005"
 * Angular Dimensions +/- 1.0 Deg.
 * Metric: Refer to equivalent English Dimension Tolerance
 >>> NOTE: All tolerances are Non-Cumulative. <<<

Dimensional Units All dimensions are expressed in inches except those shown in brackets (xxx) are expressed in millimeters

"REF." or an Asterisk (*) = Non-Toleranced Reference Dimension, shown for clarification purposes only.

PROPRIETARY INFORMATION This Engineering Drawing, and the information contained herein, is proprietary to Cole Hersee Company and may not be disclosed, re-produced, or in any other way transferred or communicated to any other party without the express written consent of an authorized representative of Cole Hersee Company.

DESIGN CONTROL It is the responsibility of the individual using / referencing this drawing to assure that the noted design revision level agrees with the revision level of the Controlled Document (Master Drawing). This is a NON-CONTROLLED DOCUMENT unless otherwise specifically noted.

DO NOT SCALE - Dimensional variation may occur during printing / reproduction.

Special Characteristics:

- Critical Characteristic, relating to Safety and/or Regulatory Compliance
- Significant Characteristic relating to Process Control (SPC)
- Control Dimension relating to Form - Fit - Function as defined by Cole Hersee Company and/or the Customer

(Note that the identification of any Characteristics as being "Special" does not alter the requirement that ALL specified dimensions & tolerances must be met.)

Cole Hersee Co.
 20 Old Colony Ave., South Boston, MA, 02127
 Phn: 617-268-2100 Web: www.colehersee.com

Description:
ROCKER SWITCH

Drawing / Part No.:
58332 CHART E

Revision Control Record

Rev.	Description of Change	ECN No.	Date
	SEE PAGE 1		
	FOR REVISIONS		

PART NO	TYPE OF SW	POS 1	POS 2	POS 3	TERMINAL LOCATION	SEALED	1	2	LAMP SCHEMATIC	PANEL SEAL ASSM	JUMPER	ACTUATOR PART NO.
		ROCKER POSITION					LAMP VOLTAGE					
58332-34 [ⓔ]	DPST	2 & 3 5 & 6 ON	//	OFF	2, 3, 5 6 & 7	YES	LED AMBER SUPERBRIGHT 12VDC	//	2	YES	//	//
58332-33 [ⓔ]	DPDT	2 & 3 5 & 6 ON	OFF	2 & 1 5 & 4 ON	1, 2, 3, 4, 5, 6 & 7	YES	LED AMBER SUPERBRIGHT 12VDC	LED AMBER SUPERBRIGHT 12VDC	4	YES	//	//
58332-32 [ⓔ]	DPDT	2 & 3 5 & 6 ON	OFF	2 & 1 5 & 4 MOM. ON	1, 2, 3, 4, 5, 6 & 7	YES	LED AMBER SUPERBRIGHT 12VDC	//	2	YES	//	//
58332-31 [ⓔ]	SPDT	2 & 3 ON	OFF	2 & 1 MOM. ON	1, 2, 3 & 7	YES	LED AMBER SUPERBRIGHT 12VDC	//	2	YES	//	//

Tolerances Unless otherwise specifically noted, the following are default tolerances:
 * 2-place Decimal Dimensions +/- .02"
 * 3-place Decimal Dimensions +/- .005"
 * Angular Dimensions +/- 1.0 Deg.
 * Metric: Refer to equivalent English Dimension Tolerance
 >>> NOTE: All tolerances are Non-Cumulative. <<<

Dimensional Units All dimensions are expressed in inches except those shown in brackets (xxx) are expressed in millimeters

"REF." or an Asterisk (*) = Non-Toleranced Reference Dimension, shown for clarification purposes only.

Used On or Ref.: _____

PROPRIETARY INFORMATION This Engineering Drawing, and the information contained herein, is proprietary to Cole Hersee Company and may not be disclosed, re-produced, or in any other way transferred or communicated to any other party without the express written consent of an authorized representative of Cole Hersee Company.

DESIGN CONTROL It is the responsibility of the individual using / referencing this drawing to assure that the noted design revision level agrees with the revision level of the Controlled Document (Master Drawing). This is a NON-CONTROLLED DOCUMENT unless otherwise specifically noted.

DO NOT SCALE - Dimensional variation may occur during printing / reproduction.

Scale: **1:1**

Drawn **CN**
By: _____

Date Drawn: _____

Special Characteristics:

Critical Characteristic, relating to Safety and/or Regulatory Compliance

Significant Characteristic relating to Process Control (SPC)

Control Dimension relating to Form - Fit - Function as defined by Cole Hersee Company and/or the Customer

(Note that the identification of any Characteristics as being "Special" does not alter the requirement that ALL specified dimensions & tolerances must be met.)

Responsible Engineer: **G.AUGUSTE**

Cole Hersee Co.
 20 Old Colony Ave., South Boston, MA, 02127
 Phn: 617-268-2100 Web: www.colehersee.com

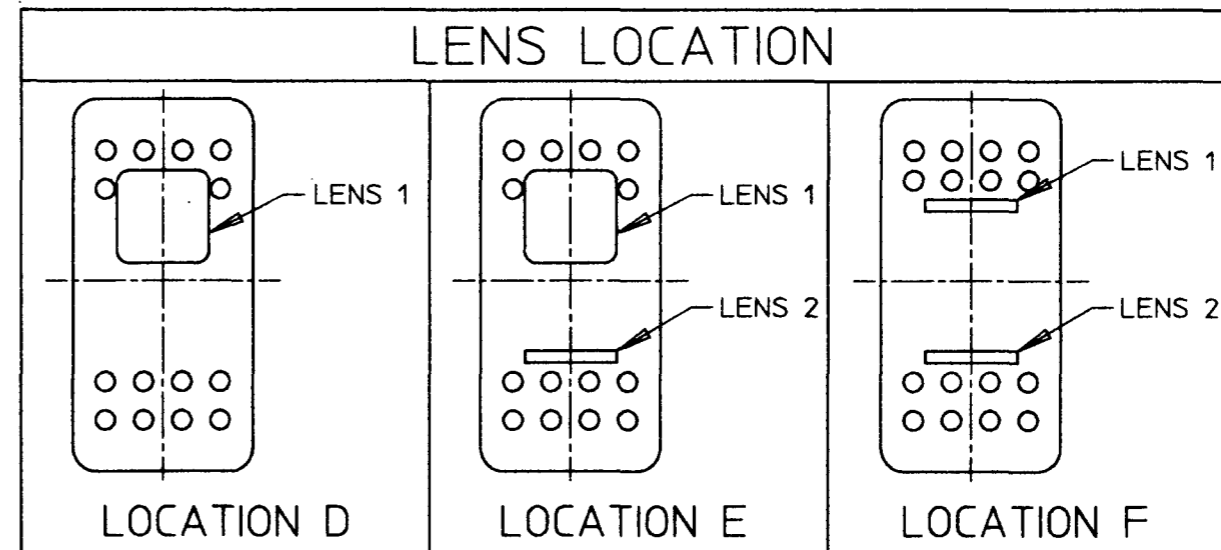
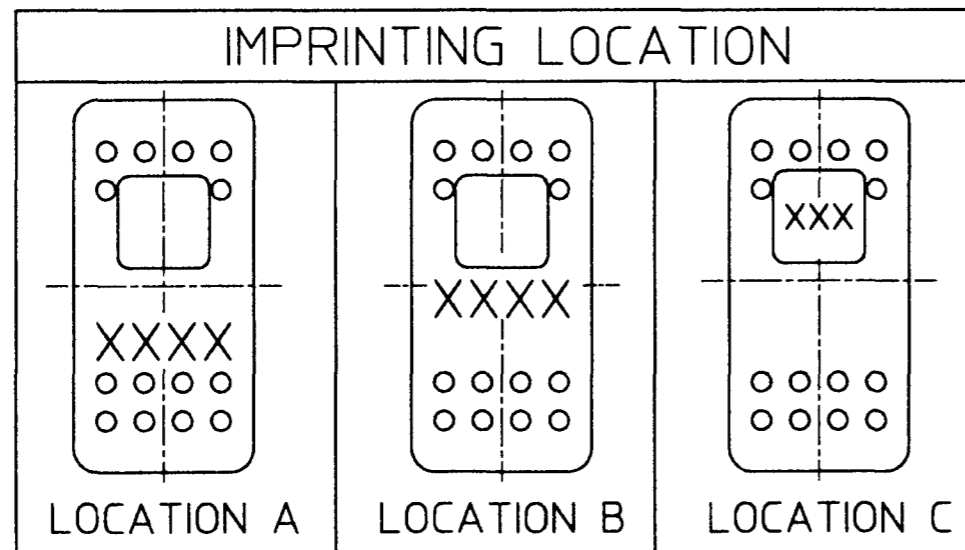
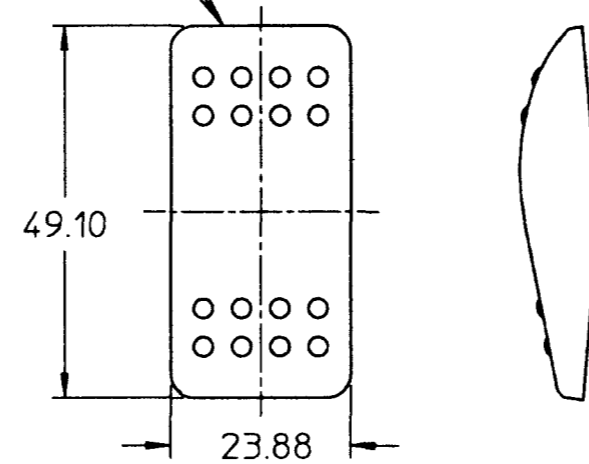
Description:
ROCKER SWITCH

Drawing / Part No.:
58332 CHART E

Pg. 5 of 5

MM IN
 23.88 0.940
 49.10 1.933










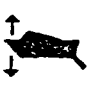
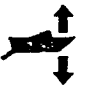
ROCKER, PLASTIC,
 COLOR CHARTED




DO NOT SCALE

METRIC

LET.	WAS	DATE	BY	LET.	WAS	DATE	BY	MATERIAL	DRAWN	CHK	APVD	SCALE	DATE DRAWN
									JMP	DP3		1:1	1/10/97
								FINISH	Cole Hersee Co. 20 OLD COLONY AVENUE, BOSTON, MA., U.S.A., 02127				DATE BLUEPRINTED
								TOLERANCES DECIMAL ± ANGLE ±	ROCKER ACTUATOR				58334
					ISSUED	1/24/97							

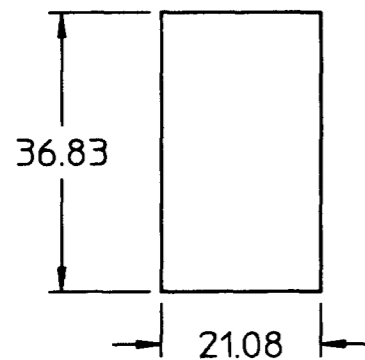
58334-12	BLACK	---	---	---	---	E	WHITE	WHITE
58334-11	BLACK		WINDSHIELD WIPER/WASHER	C	BLACK	E	WHITE	WHITE
58334-10	RED		ENGINE STOP	C	BLACK	D	WHITE	---
58334-09	BLACK		RUNNING LIGHTS (UNDER POWER)	C	BLACK	E	WHITE	WHITE
58334-08	BLACK		ANCHOR LIGHT	C	BLACK	E	WHITE	WHITE
58334-07	BLACK		LIGHT	C	BLACK	E	WHITE	WHITE
58334-06	BLACK		WINDSHIELD WASHER	C	BLACK	E	WHITE	WHITE
58334-05	BLACK		WINDSHIELD WIPER	C	BLACK	E	WHITE	WHITE
58334-04	BLACK		ANCHOR	C	BLACK	D	WHITE	---
58334-03	BLACK		HORN	C	BLACK	D	WHITE	---
58334-02	BLACK		TRIM TAB TRIMMING OPERATION	C	BLACK	D	WHITE	---
58334-01	BLACK		TRIM TAB TRIMMING OPERATION	C	BLACK	D	WHITE	---
PART NO	ROCKER COLOR	IMPRINT SYMBOL	IMPRINT NAME	IMPRINT LOCATION	IMPRINT COLOR	LENS LOCATION	LENS 1	LENS 2
							LENS COLOR	

DO NOT SCALE

LET.	WAS	DATE	BY	LET.	WAS	DATE	BY	MATERIAL	DRAWN JMP	CHK DRS	APVD	SCALE .1:1	DATE DRAWN 1/10/97
								FINISH	 Cole Hersee Co. 20 OLD COLONY AVENUE, BOSTON, MA., U.S.A. 02127				DATE BLUEPRINTED
								TOLERANCES DECIMAL ± ANGLE ±	ROCKER ACTUATOR				58334

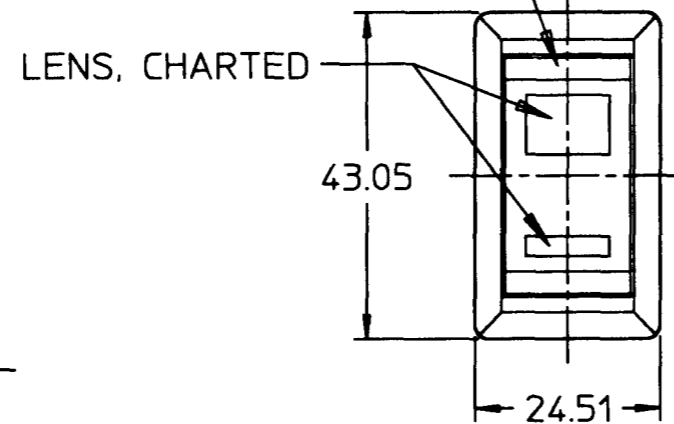
MM	IN
6.35	0.250
20.32	0.800
21.08	0.830
25.51	0.965
35.69	1.405
36.83	1.450
40.89	1.610
43.05	1.695

MOUNTING HOLE DETAIL



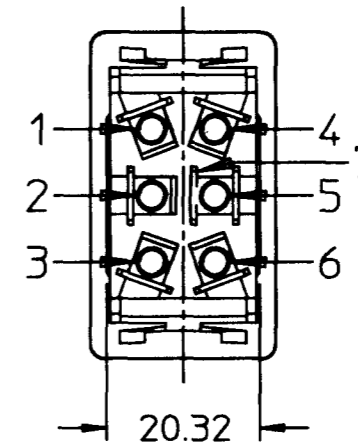
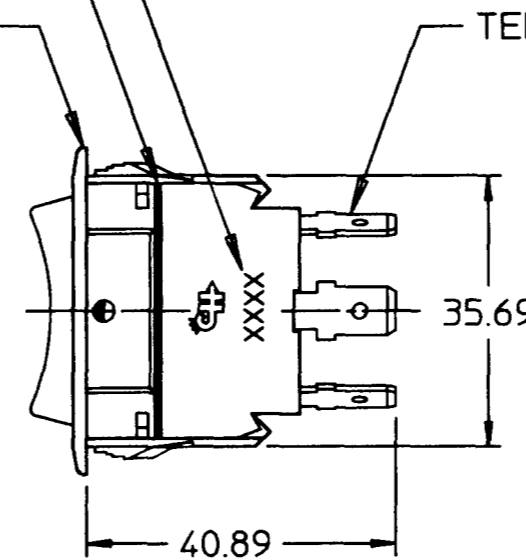
INK STAMP COLE HERSEE LOGO,
BLUEBIRD PART NUMBER & DATE CODE

GASKET SEAL
BEZEL, PLASTIC, BLACK
ROCKER, PLASTIC,
COLOR CHARTED



GASKET SEAL

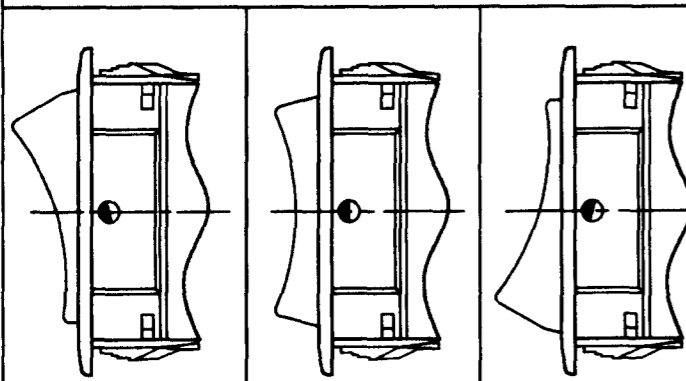
TERMINALS, MALE BLADE, 6.35 WIDE



- NOTES:
1. ALL DIMENSIONS ARE REFERENCE ONLY
 2. CONTACT RATING:
20 AMPS @ 12V DC
10 AMPS @ 24V DC
 3. SWITCH FITS IN 0.093 THRU 0.187 THICK PANEL

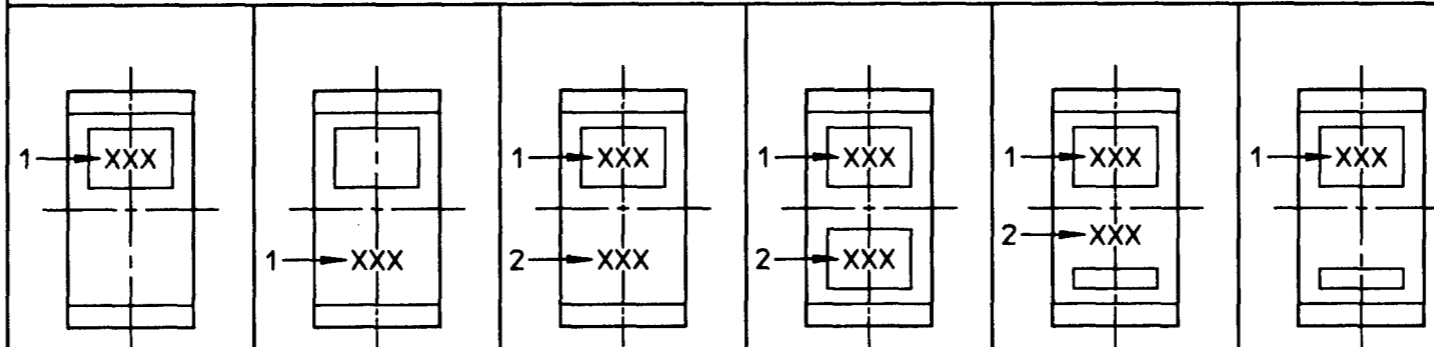
METRIC

ROCKER POSITIONS



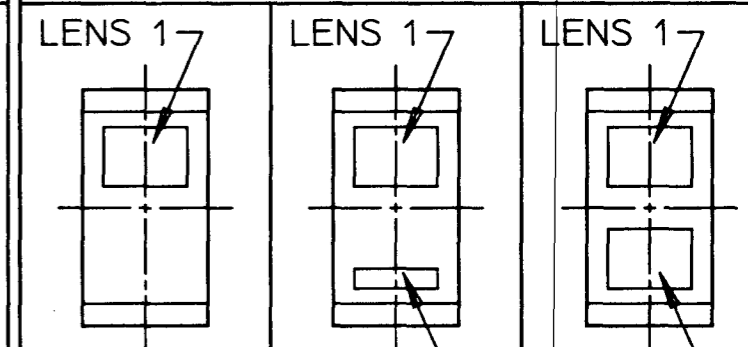
POSITION A POSITION B POSITION C

IMPRINTING LOCATION



LOCATION D LOCATION E LOCATION F LOCATION G LOCATION H LOCATION J

LENS LOCATION



LOCATION K LOCATION L LOCATION M

ROCKER COLORS

BLACK

IMPRINT COLORS

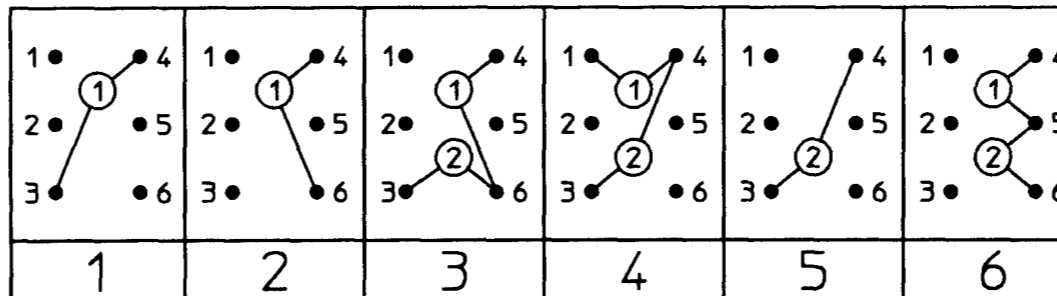
WHITE

LAMP VOLTAGE

12V DC
24V DC

LENS COLORS

AMBER
BLUE
GREEN
RED
CLEAR




1 2 3 4 5 6 7 8 9 10 11

LAMP SCHEMATIC

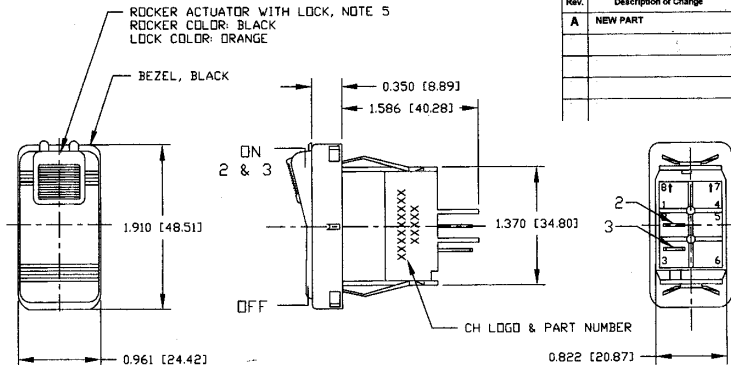
DO NOT SCALE

LET.	WAS	DATE	BY	LET.	WAS	DATE	BY	MATERIAL	DRAWN	CHK	APVD	SCALE	DATE DRAWN
									JMP	DB		1:1	12/23/96
								FINISH	Cole Hersee Co. 20 OLD COLONY AVENUE, BOSTON, MA., U.S.A., 02127				DATE BLUEPRINTED
				A		ISSUED	4/15/97	AF	ROCKER SWITCH				58335
						ADDED LAMP 6	3/18/97	DPS					TOLERANCES DECIMAL ± ANGLE ±

PT NO	TYPE OF SW	POS A	POS B	POS C	ROCKER COLOR	TERMINAL LOCATION	IMPRINT LOCATION	IMPRINT COLOR	LENS LOCATION	LENS 1	LENS 2	LENS 1	LENS 2	LAMP SCHEM	BUS BARS	BLUEBIRD PART NO											
		ROCKER POSITION								LENS COLOR		LAMP VOLTAGE															
58335-03	SPST	OFF	NONE	ON 2 & 3	BLACK	2, 3 & 4			K	AMBER		12VDC		1		1947555											
58335-02	SPDT	ON 2 & 1	OFF	ON 2 & 3	BLACK	1, 2, 3, 4 & 5			M	RED	AMBER	12VDC	12VDC	6	4 TO 6	1947597											
58335-01	SPST	OFF	NONE	ON 2 & 3	BLACK	2, 3 & 4			K	RED		12VDC		1		1947563											
		LET.	WAS	DATE	BY	LET.	WAS	DATE	BY	MATERIAL	DRAWN	CHK	APVD	SCALE	DATE DRAWN												
		SEE PAGE ONE FOR REVISIONS										JMP	<i>DB</i>		1:1	12/23/96											
																						FINISH	 Cole Hersee Co. 20 OLD COLONY AVENUE, BOSTON, MA., U.S.A. 02127			DATE BLUEPRINTED	

Revision Control Record

Rev.	Description of Change	ECN No.	Date
A	NEW PART	01284	5/8/01



NOTES.

1. ALL DIMENSIONS ARE REFERENCE
2. SWITCH FITS IN PANEL HOLE SIZE: 0.830 [21.08] X 1.450 [36.83]
3. RATING: 12V DC, 25AMPS
4. WEATHER RESISTANT.
5. SWITCH IS LOCKED IN THE OFF POSITION; MOVE LOCK BUTTON TO ACTUATE ROCKER.

Tolerances. Unless otherwise specifically noted, the following are default tolerances:

- Spline Distal Dimensions $\pm 0.02^\circ$
- Spline Distal Dimensions $\pm 0.005^\circ$
- Angular Dimensions $\pm 1.0 \text{ Deg.}$
- Metric: Refer to approved English Dimension Tolerance
- NOTE: All tolerances are Non-Controlled.

Dimensional Units. All dimensions are expressed in inches except those shown in brackets (xxx) are expressed in millimeters

"REF." or an Asterisk (*). = Non-Tolerance / Reference Dimension, shown for clarification purposes only.

PROPRIETARY INFORMATION. This Engineering Drawing, and the information contained herein, is proprietary to Cole Hersee Company and may not be disclosed, reproduced, or in any other way transmitted or communicated to any other party without the express written consent of an authorized representative of Cole Hersee Company.

DESIGN CONTROL. It is the responsibility of the individual using/referencing this drawing to ensure that the noted design revision level agrees with the revision level of the Controlled Document (Master Drawing). This is a NON-CONTROLLED DOCUMENT unless otherwise specifically noted.

DO NOT SCALE. Dimensional variation may occur during printing/ reproduction.

Key for Special Characteristics:

- ◆ Critical Characteristic, relating to Safety and/or Regulatory Compliance
- ⓧ Significant Characteristic relating to Process Control (SPC)
- Ⓢ Control Dimension relating to Form - Fit - Function as defined by Cole Hersee Company and/or the Customer

(Note that the Identification of any Characteristic as being "Special" does not alter the requirement that ALL specified dimensions & tolerances must be met.)

Cole Hersee Co.



20 Old Colony Ave., South Boston, MA, 02127
Phn: 817-268-2100 Web: www.colehersee.com

Description: ROCKER SWITCH

Drawing / Part No.:

58336

Current Rev.

A

Used On **EX27490D**

Scale: **1:1**

Drawn **GA**

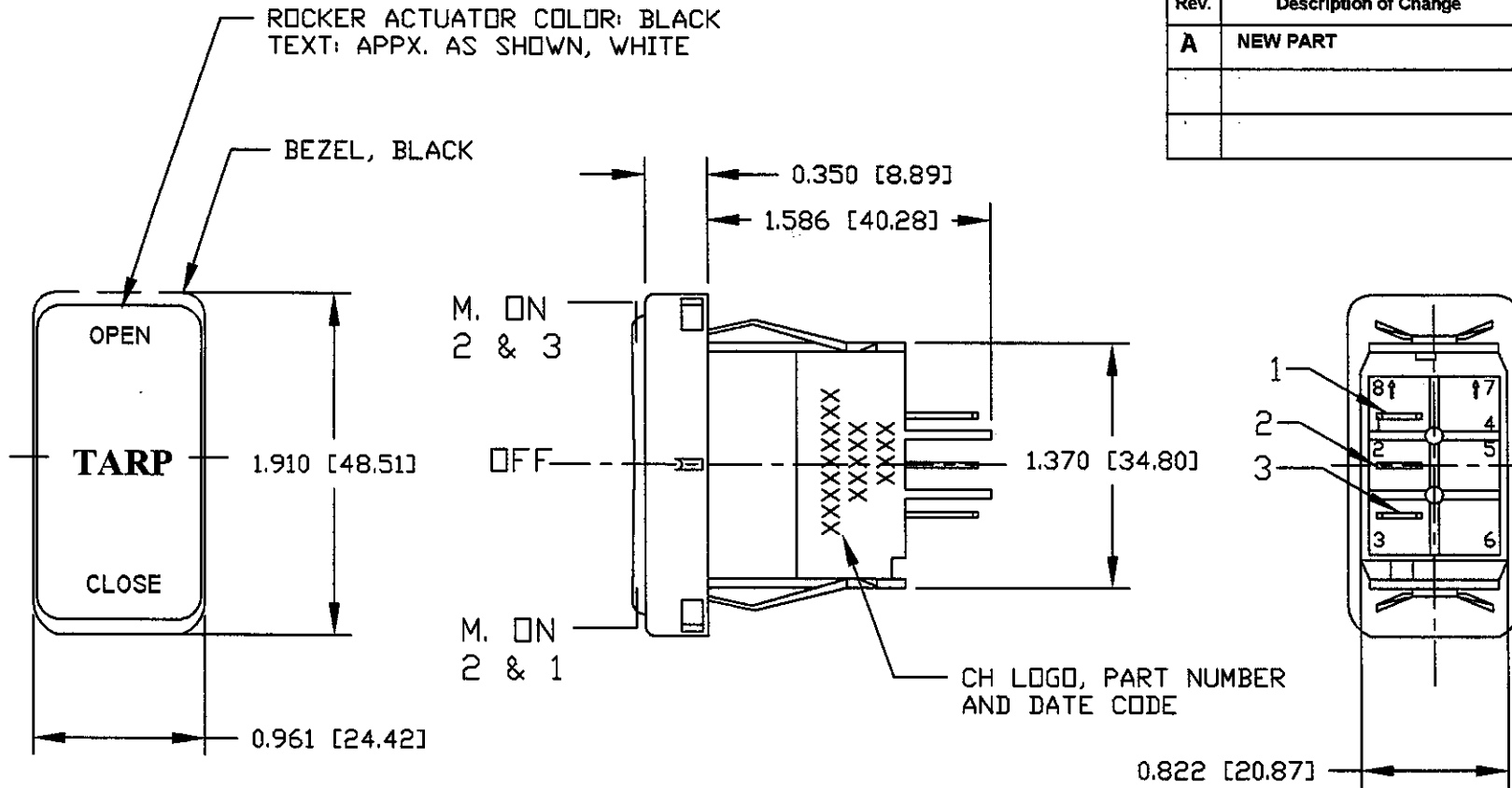
Date **5/2/01**

Responsible **GA**

Pg. 1 of 1

Revision Control Record

Rev.	Description of Change	ECN No.	Date
A	NEW PART	06339	10/05/06



NOTES.

1. ALL DIMENSIONS ARE REFERENCE
2. SWITCH FITS IN PANEL HOLE SIZE:
0.830 [21.08] X 1.450 [36.83]
3. RATING: 12-24V DC, 25AMPS/12V; 15A/24V.
4. SILVER CONTACT FOR DURABILITY
4. SEALED FOR WEATHER RESISTANCE.

Tolerances. Unless otherwise specifically noted, the following are default tolerances:
 * 2-place Decimal Dimensions $\pm 0.02^{\circ}$
 * 3-place Decimal Dimensions $\pm 0.005^{\circ}$
 * Angular Dimensions ± 1.0 Deg.
 Metric: Refer to equivalent English Dimension Tolerance
 >>> NOTE: All tolerances are Non-Cumulative. <<<

Dimensional Units. All dimensions are expressed in inches except those shown in brackets (xxx) are expressed in millimeters

"REF" or an Asterisk () = Non-Toleranced Reference Dimension, shown for clarification purposes only.

PROPRIETARY INFORMATION. This Engineering Drawing, and the information contained herein, is proprietary to Cole Hersee Company and may not be disclosed, re-produced, or in any other way transferred or communicated to any other party without the express written consent of an authorized representative of Cole Hersee Company.

DESIGN CONTROL. It is the responsibility of the individual using / referencing this drawing to assure that the noted design revision level agrees with the revision level of the Controlled Document (Master Drawing). This is a NON-CONTROLLED DOCUMENT unless otherwise specifically noted.

DO NOT SCALE - Dimensional variation may occur during printing / reproduction.

Key for Special Characteristics:

- Critical Characteristic, relating to Safety and/or Regulatory Compliance
- Significant Characteristic relating to Process Control (SPC)
- Control Dimension relating to Form - Fit - Function as defined by Cole Hersee Company and/or the Customer

(Note that the identification of any Characteristics as being "Special" does not alter the requirement that ALL specified dimensions & tolerances must be met.)



Cole Hersee Co.

20 Old Colony Ave., South Boston, MA, 02127
 Phone 617-266-2100 Web: www.colehersee.com

Description: **ROCKER SWITCH**
 M.ON-OFF-M.ON

Drawing / Part No.:

58337

Current Rev.

A

Used On or Ref.: **EX28309**

Scale: **1:1**

Drawn By: **GA**

Date Drawn: **10/05/06**

Responsible Engineer: **GA**

Pg. 1 of 1