

# Raymarine®



## SR200 SiriusXM InfoLINK Weather & Audio Receiver

Installation instructions

English (en-US)

Date: 06-2019

Document number: 87320-3

© 2019 Raymarine UK Limited & Sirius XM Radio Inc.

## **Thank you for purchasing the SiriusXM InfoLINK Receiver**

Tracking of weather is easier than ever with the SiriusXM InfoLINK Receiver for Raymarine MFD's. Raymarine and SiriusXM have teamed up to bring you live, up-to-date weather information and forecasting to give you peace of mind, no matter when or how you are using your boat. The weather information is obtained from the weather industry's leading experts and is delivered via a digital receiver through SiriusXM's Marine Weather services.

You have the ability to receive high-quality and comprehensive weather information and forecasting that you can overlay onto your raster and vector charts. You will be provided with premium weather content, such as current weather reports, NOWRad® nationwide high-resolution weather radar imagery, and high-resolution Sea Surface Temperature images that can help fishermen locate fishing hot spots. Hardware and the Sirius/XM weather service subscription are sold separately.

The SiriusXM InfoLINK Receiver also provides access to over 150 channels of SiriusXM satellite radio service which can be added at a discounted rate to the Marine subscription.

For more information about SiriusXM Marine service features and pricing visit [siriusxm.com/marine](http://siriusxm.com/marine).

## **Trademark and Patents Notice**

Raymarine, Tacktick, ClearPulse, Truzoom, HSB, SeaTalk, SeaTalk<sup>hs</sup>, SeaTalkng, Micronet, Raytech, GearUp, MarineShield, Seahawk, Autohelm, Automagic, and Visionality are registered or claimed trademarks of Raymarine Belgium.

FLIR, DownVision, SideVision, Dragonfly, Quantum, Instalert, Infrared Everywhere, and The World's Sixth Sense are registered or claimed trademarks of FLIR Systems, Inc.

All other trademarks, tradenames, or company names referenced herein are used for identification only and are the property of their respective owners.

This product is protected by patents, design patents, patents pending, or design patents pending.

## **Fair Use Statement**

You may print no more than three copies of this manual for your own use. You may not make any further copies or distribute or use the manual in any other way including without limitation exploiting the manual commercially or giving or selling copies to third parties.

## Software Updates

Important: Check the Raymarine website for the latest software releases for your product, [www.raymarine.com/software](http://www.raymarine.com/software).

## Product Handbooks

The latest versions of all English and translated handbooks are available to download in PDF format from the website [www.raymarine.com](http://www.raymarine.com). Please check the website to ensure you have the latest handbooks.

**Copyright ©2019 Raymarine UK Ltd. All rights reserved.**

## Safety Notices



### **Warning: Product installation and operation**

This product must be installed and operated in accordance with the instructions provided. Failure to do so could result in personal injury, damage to your vessel and/or poor product performance.



### **Warning: Maintain a permanent watch**

Always maintain a permanent watch, this will allow you to respond to situations as they develop. Failure to maintain a permanent watch puts yourself, your vessel and others at serious risk of harm.



### **Warning: Potential ignition source**

This product is NOT approved for use in hazardous/flammable atmospheres. Do NOT install in a hazardous/flammable atmosphere (such as in an engine room or near fuel tanks).



### **Warning: Switch off power supply**

Ensure the vessel's power supply is switched OFF before starting to install this product. Do NOT connect or disconnect equipment with the power switched on, unless instructed in this document.



### **Warning: Product grounding**

Before applying power to this product, ensure it has been correctly grounded, in accordance with the instructions in this guide.



### **Warning: Positive ground systems**

Do not connect this unit to a system which has positive grounding.

**Caution: Power supply protection**

When installing this product ensure the power source is adequately protected by means of a suitably-rated fuse or automatic circuit breaker.

**Caution: Service and maintenance**

This product contains no user serviceable components. Please refer all maintenance and repair to authorized Raymarine dealers. Unauthorized repair may affect your warranty.

## General Information

### EMC Installation Guidelines

Raymarine equipment and accessories conform to the appropriate Electromagnetic Compatibility (EMC) regulations, to minimize electromagnetic interference between equipment and minimize the effect such interference could have on the performance of your system. Correct installation is required to ensure that EMC performance is not compromised.

For **optimum** EMC performance we recommend that wherever possible:

- Raymarine equipment and cables connected to it are:
  - At least 1 m (3 ft) from any equipment transmitting or cables carrying radio signals e.g. VHF radios, cables and antennas. In the

case of SSB radios, the distance should be increased to 7 ft (2 m).

- More than 2 m (7 ft) from the path of a radar beam. A radar beam can normally be assumed to spread 20 degrees above and below the radiating element.
- The product is supplied from a separate battery from that used for engine start. This is important to prevent erratic behavior and data loss which can occur if the engine start does not have a separate battery.
- Raymarine specified cables are used.
- Cables are not cut or extended, unless doing so is detailed in the installation manual.

**Note: Where constraints on the installation prevent any of the above recommendations,** always ensure the maximum possible separation between different items of electrical equipment, to provide the best conditions for EMC performance throughout the installation.

### Water Ingress

Water ingress disclaimer:

Although the waterproof rating capacity of this product meets the IPX6 & IPX7 standard, water intrusion and subsequent equipment failure may occur if the product is subjected to commercial high-pressure washing. Raymarine will not warrant products subjected to high-pressure washing.

## Suppression Ferrites

Raymarine cables may be fitted with suppression ferrites. These are important for correct EMC performance. If a ferrite has to be removed for any purpose (e.g. installation or maintenance), it must be replaced in the original position before the product is used.

Use only ferrites of the correct type, supplied by Raymarine authorized dealers.

## Connections to Other Equipment

Requirement for ferrites on non-Raymarine cables  
If your Raymarine equipment is to be connected to other equipment using a cable not supplied by Raymarine, a suppression ferrite MUST always be attached to the cable near the Raymarine unit.

## Product disposal

Dispose of this product in accordance with the WEEE Directive.



■ The Waste Electrical and Electronic Equipment (WEEE) Directive requires the recycling of waste electrical and electronic equipment. Whilst the WEEE Directive does not apply to some Raymarine products, we support its policy and ask you to be aware of how to dispose of this product.

## Warranty registration

To register your Raymarine product ownership, please visit **[www.raymarine.com](http://www.raymarine.com)** and register online.

It is important that you register your product to receive full warranty benefits. Your unit package includes a bar code label indicating the serial number of the unit. You will need this serial number when registering your product online. You should retain the label for future reference.

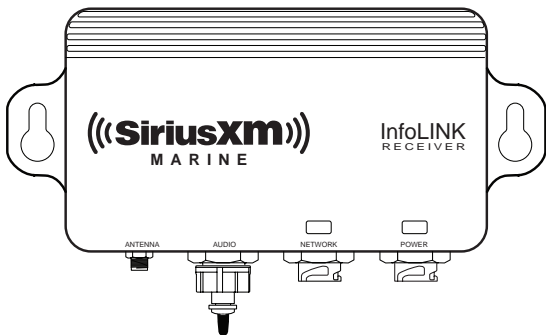
## IMO and SOLAS

The equipment described within this document is intended for use on leisure marine boats and workboats not covered by International Maritime Organization (IMO) and Safety of Life at Sea (SOLAS) Carriage Regulations.

## Technical accuracy

To the best of our knowledge, the information in this document was correct at the time it was produced. However, Raymarine cannot accept liability for any inaccuracies or omissions it may contain. In addition, our policy of continuous product improvement may change specifications without notice. As a result, Raymarine cannot accept liability for any differences between the product and this document. Please check the Raymarine website (**[www.raymarine.com](http://www.raymarine.com)**) to ensure you have the most up-to-date version(s) of the documentation for your product.

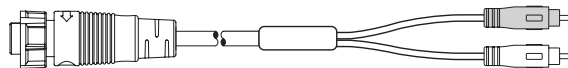
### Parts Supplied



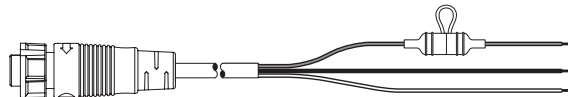
SiriusXM Marine InfoLINK™ Receiver



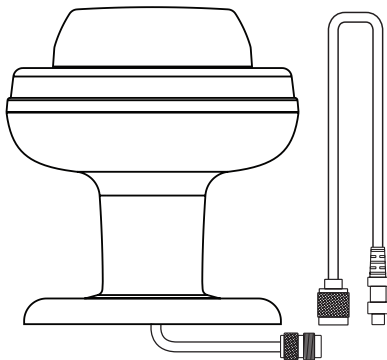
SiriusXM to Raymarine Network Cable



SiriusXM Stereo Audio Cable



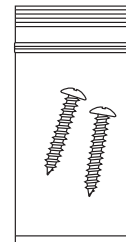
SiriusXM Power Cable



Shakespeare® SRA-50 Antenna  
(Includes 25' Cable & Mounting  
Accessories)  
**(NOT included with E70499-RCV)**



SMA to SMB Adapter



Mounting Screws (2)

## Multifunction display hardware and software compatibility

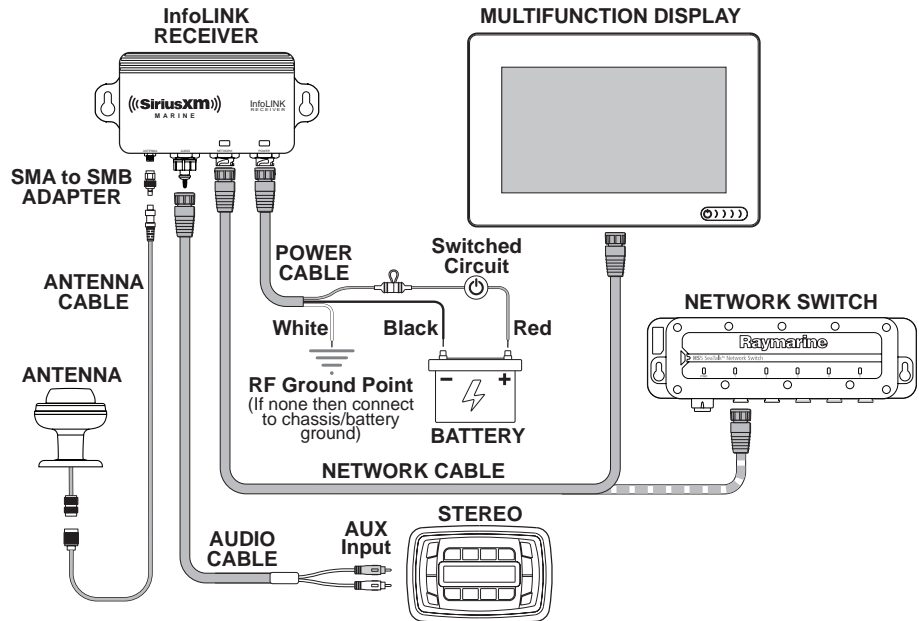
For compatibility information visit [raymarine.com/weather](http://raymarine.com/weather).

### Installation Overview

Shown at right is a typical installation overview for the InfoLINK Receiver in a Raymarine® system.

The InfoLINK Receiver can be connected directly to a Raymarine Multifunction Display, or if other Raymarine components are installed, the InfoLINK Receiver can be connected to a Raymarine Network Switch as shown.

The audio connection is optional and is used if you subscribe to a SiriusXM music and entertainment package in addition to the SiriusXM Marine subscription package.





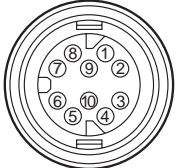
## **Required Additional Components**

<b>Component / Service</b>	<b>Required for SiriusXM Satellite Radio</b>	<b>Required for SiriusXM Marine Weather</b>
Sirius SRA-40 type-approved antenna	✓	✓
Compatible Raymarine multifunction display	✓	✓
GPS receiver — provides position information for your vessel in the weather, chart and radar applications. Some multifunction displays have an internal GPS receiver. If your display does not have an internal GPS, an external GPS receiver will be required.	✗	✓
Third-party external audio system — required if you want to listen to SiriusXM satellite radio stations.	✓	✗
SiriusXM marine weather subscription	✗	✓
SiriusXM satellite radio subscription	✓	✗



## Cable Identification

The following is the pin identification for the Data Cable provided with the InfoLINK Receiver.

						
SiriusXM Connector	Pin	Description	Raymarine Connector	Pin	Description	
	1	Ethernet RX+ (White/Green)		1	Ethernet TX+(White/Orange)	
	2	Ethernet RX- (Green)		2	Ethernet TX- (Orange)	
	3	Ethernet TX+(White/Orange)		3	Not Used	
	4	Ethernet TX- (Orange)		4	Not Used	
	5	HW ID-A		5	Ethernet RX+ (White/Green)	
	6	HW ID-B		6	Ethernet RX- (Green)	
	7	Shield/Ground		7	Not Used	
				8	Not Used	
				9	Not Used	
				10	Shield/Ground	

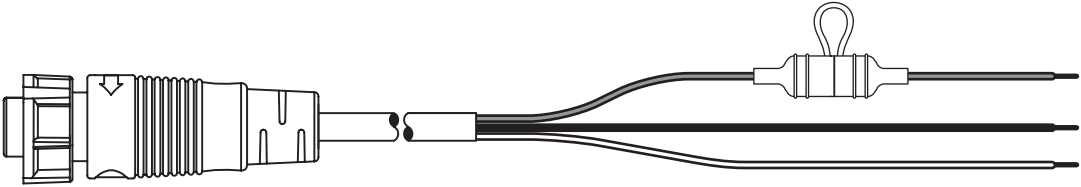
### **RayNet to RayNet Cables for longer cable runs**


The following cables are available from Raymarine:

- A80162: 100mm (3.9in) RayNet cable joiner (Male connectors at both ends; required for all extensions).
- A80161: 400mm (1.3ft) RayNet (female to female) cable.
- A62361: 2m (6.56ft) RayNet (female to female) cable.
- A80005: 5m (16.4ft) RayNet (female to female) cable.
- A62362: 10m (32.8ft) RayNet (female to female) cable.
- A80006: 20m (65.6ft) RayNet (female to female) cable.

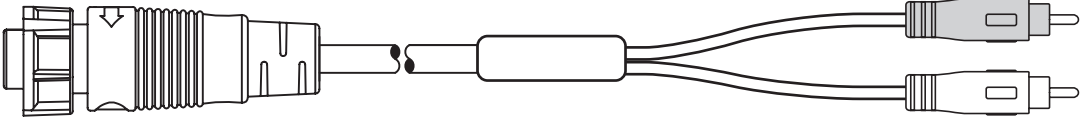
Note: if a longer network connection is needed, visit **[www.raymarine.com](http://www.raymarine.com)** for additional Raynet to Raynet extension solutions.


The following is the pin and wire identification for the Power Cable provided with the InfoLINK Receiver.



Power Connector	Pin	Description	Wire Color	Description
	1	Battery + (Switched)	Red	Battery + (Switched)
	2	Ground -	Black	Ground -
	3	RF Shield Ground	White	RF Shield Ground

The following is the pin and connector identification for the Audio Cable provided with the InfoLINK Receiver.



Audio Connector	Pin	Description	Connector Color	Description
	1	Left Audio +	Red	Right Stereo Audio
	2	Left Audio -		
	3	Right Audio -	White	Left Stereo Audio
	4	Right Audio +		

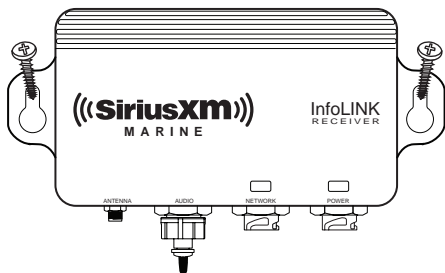
## InfoLINK Receiver Installation

Select a mounting location for the InfoLINK Receiver that is sheltered from the elements. While the receiver is water resistant, it should be mounted where there will be no direct contact with water, or water spray, if possible.

Also consider the proximity for the several cables which will be need to be connected, antenna, power, data, and optionally audio, so that the cables reach.

Before mounting the unit, make a note of the Electronic Serial Number on the underside of the unit.

Once you have determined a suitable location, attach the receiver using the two provided screws.



## Connect the Power Cable

The InfoLINK Receiver should be connected to a 12 or 24 volt power source, negative ground.

**Caution:** Some vessels may have a positive ground system. DO NOT connect to positive ground system.

Be sure the vessels' power is off before making the power connection, or the fuse or circuit breaker which will be powering the InfoLINK Receiver is off.

<b>Power Wire</b>	<b>Connection</b> (See diagram on page 7)
Red	12v or 24v positive power (switched on/off with vessel's main power)
Black	Ground (negative)
White	RF shield ground. Ground this wire by connecting it to the vessel's RF ground point. For vessels without an RF ground system this wire should be connected <b>directly</b> to the same grounding point as the Black wire (Negative battery terminal as example).

## Power Cable Extension

The product is supplied with a power cable, which can be extended if required.

The following restrictions apply to any extension to the power cable:

- Cable must be of a suitable gauge for the circuit load.
- Each unit should have its own dedicated power cable wired back to the distribution panel.

Total Length (max)	Supply Voltage	Cable Gauge (AWG)
0-5 m (0-16.4 ft)	12 V	18
	24V	20
5-10 m (16.4-32.8 ft)	12 V	14
	24V	18
10-15 m (32.8-49.2 ft)	12 V	12
	24V	16
15-20 m (49.2-65.5 ft)	12 V	12
	24V	14

Note: These distances are for a 2-wire power cable run from the battery to the product (approximate distance). To calculate the round trip length, double the figure stated here.

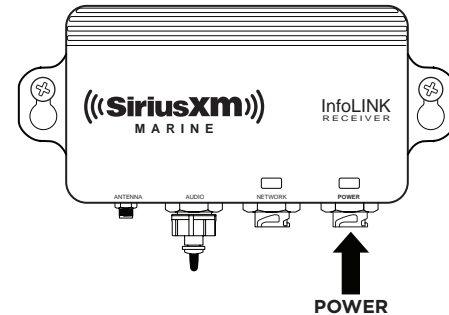
### **Breakers, Fuses and Circuit Protection**

It is recommended that you fit a thermal breaker or fuse at the distribution panel.

- Thermal breaker rating: 5 A (if only connecting one device)

**Note:** The suitable fuse rating for the thermal breaker is dependent on the number of devices you are connecting. If in doubt consult an authorized Raymarine dealer.

Connect the Power Cable to the **POWER** connection of the receiver.



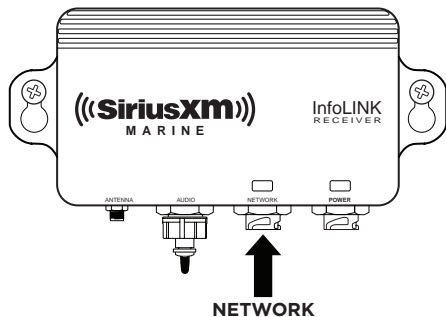
## Connect the Network Cable

The Network Cable should be connected to your Raymarine system. This cable has two different connectors - one end connects to the Raymarine system and the other to the InfoLINK Receiver. The cable is marked near each end to distinguish the connectors.

If your Raymarine system does not utilize a Network Switch, connect the Raymarine end of the cable to the Raymarine MFD's RayNet (Ethernet) port.

If your Raymarine system utilizes a an HS-5 or equivalent Network Switch, connect the Raymarine end of the cable to the Network Switch. If there are no available connections on the existing Network Switch, you will need to purchase another Network Switch to accommodate the InfoLINK Receiver.

Connect the SiriusXM end of the cable to the **NETWORK** connection of the receiver.



## Connect the Audio Cable (optional)

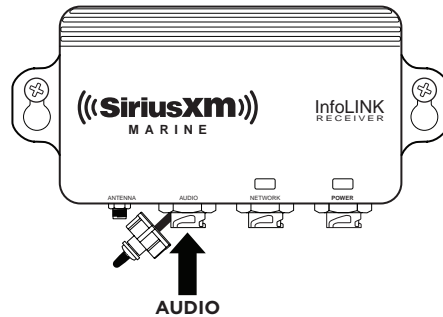
The audio connection is optional and is used if you subscribe to a SiriusXM music and entertainment package in addition to the SiriusXM Marine subscription package.

If you are not installing an audio connection, do not remove the water resistant cap that is installed on the InfoLINK Receiver's **AUDIO** connector.

The Audio Cable provides an RCA-style Left and Right audio connection. Connect these to the auxiliary (AUX) input on your audio device.

If your audio system does not have RCA connectors they will need an adapter cable, available from the local dealer or an electronics retailer.

Remove the water resistant cap that is installed on the InfoLINK Receiver's **AUDIO** connector, and connect the Audio Cable.



## Antenna Installation

**Caution:** When installing the antenna, do not cut or alter the antenna cable, or remove the cable connectors.

Two considerations are necessary before installing the antenna. First, finding a suitable mounting location, and second determine how the antenna will be mounted. There are several in-box mounting options for the antenna, or accessories can be purchased from marine stores for additional mounting options.

In choosing where to mount the antenna, consider whether you will be securing the antenna from the underside of the mounting surface, or attaching the antenna to the mounting surface. Also, determine if the antenna wire will be passed through the mounting surface, or if it will be routed along the surface.

If the distance between the antenna and the InfoLINK Receiver is more than 25 feet, special Shakespeare cable kits are available. Plan and purchase the appropriate kit before proceeding (page 17).

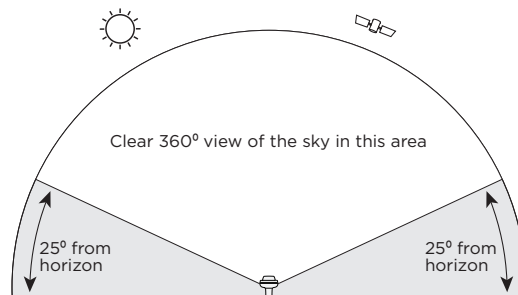
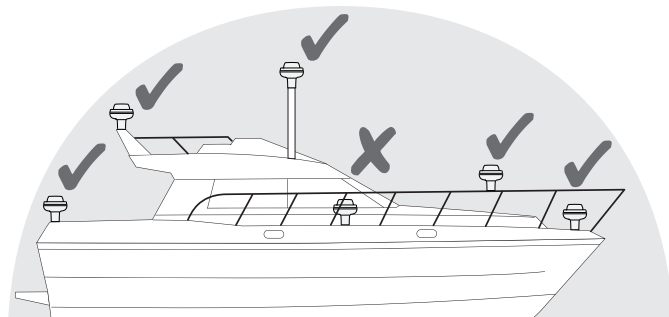
### Choose a Location

The antenna must be mounted horizontally, and in a location that is open and has a clear view of the sky.

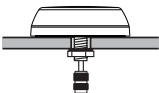
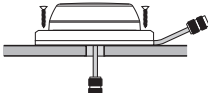
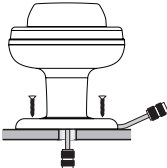
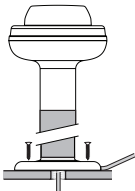
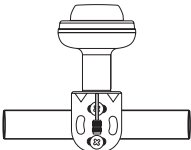
The antenna must also be mounted away from any metal objects or other structures that could block the line-of-sight reception of the satellite signal. The height of the antenna is not as important as having a clear view of the sky.

The antenna should be mounted a minimum of 6 ft. away from other radio transmitting antennas (such as VHF or Sideband antennas), and a minimum of 2 ft. from a radar antenna.

Once you have selected a possible mounting location, sight a full 360° circle around the antenna at an elevation angle of 25° to make sure no obstacles block the antenna's view of the sky.



## Choose a Mounting Option

<b>In-Box Mounting Options</b>		
Surface Mount		Antenna secured from the underside of the mounting surface. For mounting surfaces between 1/4" and 1" thick, use the supplied extension shaft. Route antenna cable through the mounting surface. Secure from below mounting surface using the mounting lock washer & retaining nut.
Low Profile Surface Mount		Antenna secured topside to the mounting surface, and also used when the antenna cable cannot be routed through the mounting surface to the underside. Secure to the surface using 4 screws.
Pedestal Mount		Antenna secured topside above the mounting surface. Route antenna cable either through or above the mounting surface. Secure to the surface using 3 screws.
<b>Optional Mounting Options</b> (purchased separately)		
Extension Mast Mount		Extension masts can be purchased in varying lengths to extend the antenna up a greater distance above the mounting surface. Antenna secured topside to the mounting surface. Route antenna cable either through or above the mounting surface. Secure to the surface using 3 screws.
Rail Mount (Shakespeare model 4720 Rail Mount)		Use to attach the antenna to an existing 7/8", 1", or 1-1/4" rail on the vessel.



## Installing the Antenna

In-box antenna mounting options are surface mount, low-profile surface mount, or pedestal mount. Optional mounting options require an extension mast, or a Shakespeare Style 4720 Rail Mount (each sold separately).

Always mount the antenna so that it does not interfere with safe operation of the vessel.

**Important:** When mounting to a surface using the low-profile, pedestal, or extension mast mounting method where the antenna cable will exit above the mounting surface, orient the base or pedestal bottom so that the antenna cable exits towards the rear of the vessel, away from oncoming wind from normal vessel motion.

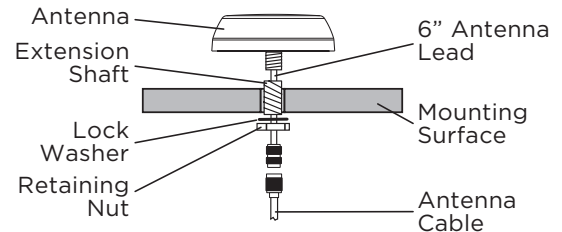
The following accessories are available from Shakespeare:

- SRS-3-KIT - Marine SiriusXM Splitter. Kit to connect two SiriusXM satellite receivers to one antenna. Includes three 25' cables which permit up to a 50' cable run from the antenna to each receiver.
- SRC-35 - 35' Marine SiriusXM Replacement Cable
- SRC-50 - 50' Marine SiriusXM Replacement Cable
- SRC-90 - 90' Marine SiriusXM Replacement Cable

Follow the instructions in the next sections for the mounting method you've selected. **Do not cut the 6" antenna lead or remove the connectors from any of the cables under any circumstances.**

### Surface Mount

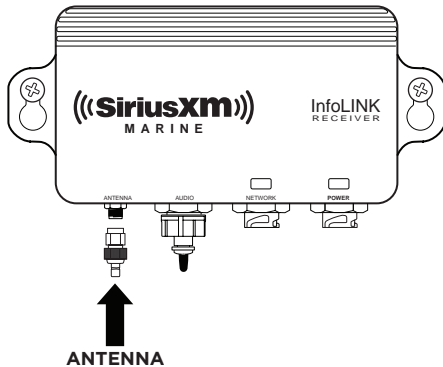
1. Drill a 9/16" mounting hole. When drilling fiberglass surfaces, use a small backup block of scrap wood underneath to control push-through splintering. Use caution to avoid drilling through or near fuel lines, fuel tanks, hydraulic lines, or electrical wiring.



2. For mounting surfaces greater than 1/4" thick (up to 1" thick), use the extension shaft (provided), otherwise continue with step 3.
  - a. Route the 6" antenna lead with TNC female connector through the center of the extension shaft.
  - b. Thread the extension shaft onto the existing antenna shaft and tighten.
3. Pass the 6" antenna lead connector and cable, and extension shaft (if used), through the hole

that was drilled.

4. Apply a small bead of marine sealant around the outer edge of the antenna base to insure a watertight seal.
5. Secure the antenna to the mounting surface with the supplied retaining nut and lock washer.
6. Connect the antenna cable to the 6" antenna lead.
7. Route the antenna cable to the InfoLINK Receiver and connect the antenna cable to the SMA to SMB Adapter. Connect the adapter to the **Antenna** connection of the InfoLINK Receiver.

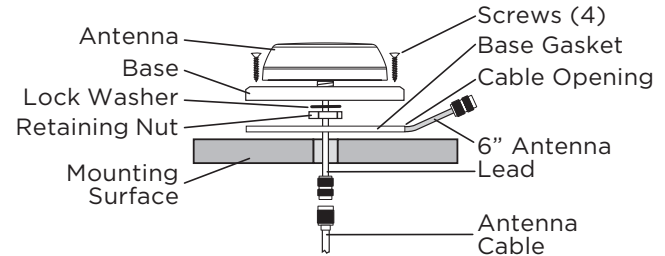


### Low Profile Surface Mount

1. If you are going to route the antenna cable through the mounting surface, drill a 9/16"

center hole for the antenna cable. When drilling fiberglass surfaces, use a small backup block of scrap wood to control push-through splintering. Use caution to avoid drilling through or near fuel lines, fuel tanks, hydraulic lines, or electrical wiring.

2. Attach the antenna onto the base by using the lock washer and retaining nut.
3. Orient the antenna as desired. Place on the mounting surface and take off the antenna



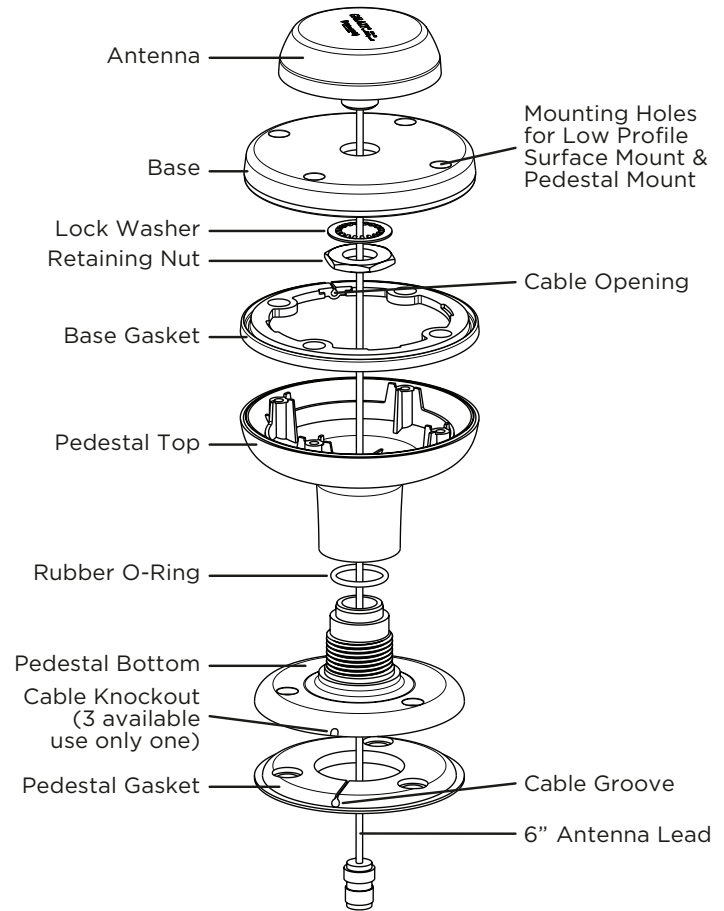
and base leaving the base gasket in the same position. Use the base gasket as a template to mark the locations for screws.

4. The provided mounting screws will accommodate most surfaces. If you find them too long, too short, or otherwise unsuitable for your application, substitute wood screws, machine screws/washers/nuts, or other hardware (not provided). Be sure to use only stainless steel hardware. If you find it too difficult to start the mounting screws, drill 7/64" pilot holes.

5. Either pass the 6" antenna lead along with the connector through the center hole, or, lay the 6" antenna lead into the cable opening in the base gasket. Place the antenna, base, and base gasket on the mounting surface aligning it to the marks made in step 3.
6. Use the provided mounting screws (or other stainless steel hardware, not provided) to mount the antenna to the surface. Do not over-tighten the screws.
7. Connect the antenna cable to the 6" antenna lead.
8. Route the antenna cable to the InfoLINK Receiver and connect the antenna cable to the SMA to SMB Adapter. Connect the adapter to the **Antenna** connection of the InfoLINK Receiver.

### **Pedestal Mount**

1. If you are going to route the antenna cable through the mounting surface, drill a 9/16" mounting hole. When drilling fiberglass surfaces, use a small backup block of scrap wood to control push-through splintering. Use caution to avoid drilling through or near fuel lines, fuel tanks, hydraulic lines, or electrical wiring.
2. Assemble the antenna as shown:
  - a. Attach the antenna to the base with the lock washer and retaining nut.





out through the side of the pedestal bottom, make sure the antenna lead can turn freely so that it does not get twisted as you screw the antenna assembly onto the pedestal bottom. When complete, finish tightening the 3 screws that hold the pedestal base to the mounting surface. Do not over tighten.

- 11.** Connect the antenna cable to the 6" antenna lead.
- 12.** Route the antenna cable to the InfoLINK Receiver and connect the antenna cable to the SMA to SMB Adapter. Connect the adapter to the **Antenna** connection of the InfoLINK Receiver.

### **Extension Mast Mount**

- 1.** Follow the installation steps 2a and 2b in the Pedestal Mount section, Place the rubber o-ring over the threads of the extension mast.
- 2.** You will need to feed the 25' antenna cable through the pedestal gasket and pedestal bottom, and through the extension mast, and connect it to the 6" antenna lead. Screw down the assembled antenna into the extension mast.
- 3.** Route the antenna cable to the InfoLINK Receiver and connect the antenna cable to the SMA to SMB Adapter. Connect the adapter to the **Antenna** connection of the InfoLINK Receiver.

### **Rail Mount**

The center hole in ratchet-type antenna mounts will not accommodate the SRA-50's connector. You must use a rail mount which will allow the cable and its connector to pass through (Shakespeare model 4720 Rail Mount).

Do not cut the antenna cable and do not remove the connector in an attempt to accommodate a ratchet-type antenna mount.

- 1.** Follow installation steps 2a and 2b for the Pedestal Mount.
- 2.** Place the rubber o-ring over the threads of the rail mount and route the 6" antenna lead through the rail mount.
- 3.** Attach the antenna assembly to the rail mount by screwing it onto the rail mount until tight.
- 4.** Follow the instructions included with the rail mount for attaching the rail mount to a rail.
- 5.** Connect the antenna cable to the 6" antenna lead.
- 6.** Route the antenna cable to the InfoLINK Receiver and connect the antenna cable to the SMA to SMB Adapter. Connect the adapter to the **Antenna** connection of the InfoLINK Receiver.

## Verify Operation

Power on the Raymarine system, and the InfoLINK Receiver. Verify that the Power LED light is on (blue), and that the Network LED light is randomly flashing green, which indicates normal network traffic.

Consult “Troubleshooting” on page 23 if the indicator LED lights are not on, or if the Network LED light is showing a blinking pattern.

## Subscribe to SiriusXM Services

You can subscribe to the SiriusXM Marine service and add satellite Radio at a discount by following these steps:

- 1.** Make sure the Raymarine system is turned on. Verify that you are receiving the SiriusXM signal by entering the SiriusXM menu in your MFD.
- 2.** Make a note of the Radio ID. You can find it on a label on the InfoLINK Receiver packaging and on the label on the underside of the InfoLINK Receiver.

**NOTE!** The Radio ID does not use the letters I, O, S, or F.

- 3.** Activate your service:

First see our Customer Agreement for complete terms at [www.siriusxm.com/sxmmarine](http://www.siriusxm.com/sxmmarine) and then:

- Online: Go to **[www.siriusxm.com/activate](http://www.siriusxm.com/activate)**

OR

- By phone: **1-855-SXM-WTHR (1-855-796-9847)**

- 4.** Activation usually takes 10 to 15 minutes, but may take up to an hour. We recommend that your MFD remain on until subscribed.
- 5.** Activation signals can be sent again at any time by visiting **[www.siriusxm.com/refresh](http://www.siriusxm.com/refresh)**.

## **Troubleshooting**

The troubleshooting information in this section is for general reference. Consult the documentation that accompanied your Raymarine system for specific operating instructions and advisory messages that may be displayed.

### **LED Indicator Lights**

The InfoLINK Receiver has two LED indicator lights which show the current state of the receiver.

<b>Power LED (Blue)</b>	<b>Network LED (Red/Green/Blink)</b>	<b>Status</b>
On	Green, random blinking pattern	Normal network communication is established between the MFD and the InfoLINK Receiver. Blinking green indicates network traffic.
Off	Off	No Power. Turn power on or check power source/cable connection.
On	Red, 1-blink pattern	Network Cable is not connected, or not secured. Make sure the cable is connected and secured to the InfoLINK Receiver.
On	Neither Red or Green, not blinking	Bad or incorrect Network Cable connected. Make sure you have used the provided Raymarine Network Cable.
On	Green, 2 blink pattern	Network Cable is not connected to the MFD or network switch. Confirm that the cable is connected to an MFD or network switch.
On	Green, 3 blink pattern	InfoLINK Receiver is looking for a DHCP server. Make sure the receiver is connected to the same network as the MFD.
On	Green, 4 blink pattern	MFD is not communicating with the InfoLINK Receiver. Check the MFD to determine the reason why the receiver is not communicating with the MFD.
On	Green, 1 blink per second	MFD has initiated communication with InfoLINK Receiver, but there is no data being transferred. Check the MFD to determine the reason why the receiver is not communicating with the MFD.

MFD Message	Reason
No Signal (NoSignal)	<p>Make sure that the vessel is outdoors with a clear view of the southern sky.</p> <p>Make sure the Antenna is mounted according to the instructions in this manual.</p> <p>Move your vessel away from any area which obstructs the antenna.</p>
Check Antenna (Chek Antenna, CHK Antena, Chek Ant)	<p>Make sure that the antenna cable is firmly and securely plugged into the InfoLINK Receiver.</p> <p>Make sure the antenna cable is not bent or broken.</p> <p>Turn the MFD off, then on, to reset this message. If the message persists, most likely the antenna cable has been damaged. Replace the antenna.</p>
Antenna Disconnected	Check the antenna connection to make sure it is fully plugged into the InfoLINK Receiver.
Antenna Cable Shorted	Replace the antenna and antenna cable.
Check Tuner (Chek Tuner, Chk Tunr)	Network Cable is not connected to the MFD or network switch. Confirm that the cable is connected to an MFD or network switch.

MFD Message	Reason
Channel Not Subscribed (CH Unsubscribed, Chan Unsub, Ch Unsub)	The channel you have selected is not part of your current subscription plan. First see our Customer Agreement for complete terms at: <a href="http://www.siriusxm.com/sxmmarine">www.siriusxm.com/sxmmarine</a> , and then call 1-855-796-9847 to subscribe.
Channel Not Available (Chan Unavailable, Ch Unavailable, Ch Unavail, Ch Unavl)	The channel you have selected is not available.

### **Raymarine customer support**

For support, please obtain the following information using the product menus:

- Product name, Product identity, Serial number
- Software application version and System diagrams.

Visit the Web customer support area at: **[www.raymarine.com](http://www.raymarine.com)** for FAQs, servicing information and support.

Telephone and e-mail support In the USA:

- Tel: +1 603 324 7900
- Toll Free: +1 800 539 5539
- E-mail: [support@raymarine.com](mailto:support@raymarine.com)



## Specifications

### InfoLINK Receiver

Dimensions	7 in (W) x 3.1 in (H) x 1.7 in (D) 180 mm (W) x 80 mm (H) x 42 mm (D)
Weight	9.63 oz (273 g)
Nominal Supply Voltage	12v or 24v DC
Operating Voltage Range	10.8v to 31.2v DC
Power Consumption	<3.0W
Operating Temperature	-4°F to +158°F (-20°C to +70°C)
Waterproof Rating	IPX 6/7
Antenna Connection	SMA (SMB to SMA adapter included)
Network Connection	TCP/IP over Ethernet (10/100-Base-TX) DHCP Server required
Audio Connection	Stereo Analog Audio Out, 2v RMS
Power Connection	2-Wire Switched B+ and Ground, plus RF Ground

### Antenna

Type	Shakespeare SRA-50
Pigtail Cable	.6 in (152 mm), TNC Female
Antenna Cable	.25 ft (7.6 m), TNC male to SMB Other extension cable lengths available - see page 17

### Cables

Network Cable Length	8 ft (2.5 m) 7-pin (InfoLINK) to 10-pin (Raynet)
Waterproof Rating	Cable Connectors IPX 6/7
Power Cable Length	6.5 ft (2 m), Fuse 5.0 A, AGC
Waterproof Ratings	Cable Connector IPX 6/7, Fuse Holder IPX 5
Audio Cable Length	6.5 ft (2 m)
Waterproof Rating	IPX 6/7

**Network Operation** ..... XM Network

Specifications are subject to change without notice.

## FCC Statement

The user is cautioned that changes or modifications not expressly approved by Sirius XM Radio Inc. can void the user's authority to operate this device. This device complies with Part 15 of the FCC Rules. Operation is subject to the following two conditions:

1. This device may not cause harmful interference.
2. This device must accept any interference received, including interference that may cause undesired operation.

This equipment has been tested and found to comply with the limits for a Class B digital device, pursuant to Part 15 of the FCC Rules. These limits are designed to provide reasonable protection against harmful interference in a residential installation. This equipment generates, uses, and can radiate radio frequency energy and, if not installed and used in accordance with the installation instructions, may cause harmful interference to radio communications. However, there is no guarantee that interference will not occur in a particular installation. If this equipment does cause harmful interference to radio or television reception, which can be determined by turning the equipment off and on, the user is encouraged to try to correct the interference by one or more of the following measures:

- Reorient or relocate the receiving antenna of the affected receiver.
- Increase the separation between the SiriusXM equipment and the affected receiver.
- Connect the SiriusXM equipment into an outlet on a circuit different from that to which the affected receiver is connected.
- Consult the dealer or an experienced radio/TV technician for help.

## SiriusXM Patent Information

It is prohibited to, and you agree that you will not, copy, decompile, disassemble, reverse engineer, hack, manipulate, or otherwise access and/or make available any technology incorporated in this product. Furthermore, the AMBE® voice compression software included in this product is protected by intellectual property rights including patent rights, copyrights, and trade secrets of Digital Voice Systems, Inc. The software is licensed solely for use within this product. The music, talk, news, entertainment, data, and other content on the Services are protected by copyright and other intellectual property laws and all ownership rights remain with the respective content and data service providers. You are prohibited from any export of the content and/or data (or derivative thereof) except in compliance with applicable export laws, rules and regulations. The user of this or any other software contained in a SiriusXM radio is explicitly prohibited from attempting to copy, decompile, reverse engineer, hack, manipulate or disassemble the object code, or in any other way convert the object code into human-readable form.

## **Environmental Information**

Follow local guidelines for waste disposal when discarding packaging and electronic appliances. This product is packaged with cardboard, polyethylene, etc., and does not contain any unnecessary materials.

WARNING: This product contains chemicals known to the State of California to cause cancer and birth defects or other reproductive harm.

## **Copyrights and Trademarks**

### **Raymarine Legal Information**

Raymarine by FLIR and related marks are property of Raymarine UK Limited. All Rights Reserved.

### **Shakespeare Legal Information**

Shakespeare and related marks are property of Shakespeare Company, LLC. All Rights Reserved.

### **SiriusXM Legal Information**

© 2019 Sirius XM Radio Inc. Sirius, XM and all related marks and logos are trademarks of Sirius XM Radio Inc. All other marks and logos are the property of their respective owners. All rights reserved.

## **Important Legal Notice About Your SiriusXM Subscription**

Hardware and subscription sold separately. **Service will automatically renew into the subscription Package you choose (which may differ from the Package which arrived with the Radio), and will automatically bill at then current rates, after any complimentary trial or promotional period ends, until you call us at 1-800-985-9200 to cancel.** See our Customer Agreement for complete terms at [www.siriusxm.com](http://www.siriusxm.com). Fees and taxes apply. All fees and programming subject to change. Our satellite service is available only to those at least 18 and older in the 48 contiguous USA and DC. Our Sirius satellite service is also available in PR (with coverage limitations) **but this InfoLINK Receiver is not operational in PR.** Our Internet radio service is available throughout our satellite service area and in AK and HI.

---

### **Important SiriusXM Legal Notice About Installation**

Installation instructions are provided for your convenience. You must determine if you have the knowledge, skills, and ability required to properly perform installation. Professional installation is recommended. SiriusXM shall have no liability for damage/injury resulting from the installation/use of any SiriusXM or other products. You must ensure that all products are installed in adherence with local laws and regulations and in such a manner as to allow a vehicle to be operated safely and without distraction. SiriusXM product warranties do not cover the installation, removal, or reinstallation of any product.

### **Registration**

To register your Raymarine product ownership, please visit [www.raymarine.com](http://www.raymarine.com) and register online. It is important that you register your product to receive full warranty benefits. Your unit package includes a bar code label indicating the serial number of the unit. You will need this serial number when registering your product online. You should retain the label for future reference.



**Raymarine Inc.**  
9 Townsend West,  
Nashua, NH, 03063.  
United States.

Tel: (+1) 603-324-7900

[www.raymarine.com](http://www.raymarine.com)

***Raymarine***<sup>®</sup>

a brand by  **FLIR**<sup>®</sup>