



**samlex**power®

**OWNER'S  
MANUAL**

Please read this  
manual BEFORE  
operating your  
battery charger

**Switch Mode,  
Automatic, Lead  
Acid Battery  
Charger**

MODELS:  
SEC-1280UL  
SEC-2440UL

# OWNER'S MANUAL: Battery Chargers | Index

<b>SECTION 1:</b>	Important Safety Precautions .....	3
<b>SECTION 2:</b>	Description & Features .....	5
<b>SECTION 3:</b>	Layout .....	6
<b>SECTION 4:</b>	Principle of Operation .....	7
<b>SECTION 5:</b>	Protections .....	14
<b>SECTION 6:</b>	Installation .....	16
<b>SECTION 7:</b>	Preparing the Charger for Operation .....	18
<b>SECTION 8:</b>	Operation .....	24
<b>SECTION 9:</b>	Troubleshooting .....	26
<b>SECTION 10:</b>	Internal Fuse Ratings .....	28
<b>SECTION 11:</b>	Specifications .....	28
<b>SECTION 12:</b>	Warranty .....	30

## Disclaimer of Liability

UNLESS SPECIFICALLY AGREED TO IN WRITING, SAMLEX AMERICA, INC.:

1. MAKES NO WARRANTY AS TO THE ACCURACY, SUFFICIENCY OR SUITABILITY OF ANY TECHNICAL OR OTHER INFORMATION PROVIDED IN ITS MANUALS OR OTHER DOCUMENTATION.
2. ASSUMES NO RESPONSIBILITY OR LIABILITY FOR LOSSES, DAMAGES, COSTS OR EXPENSES, WHETHER SPECIAL, DIRECT, INDIRECT, CONSEQUENTIAL OR INCIDENTAL, WHICH MIGHT ARISE OUT OF THE USE OF SUCH INFORMATION. THE USE OF ANY SUCH INFORMATION WILL BE ENTIRELY AT THE USERS RISK.

## Copyright Notice/Notice of Copyright

Copyright © 2016 by Samlex America, Inc. All rights reserved. Permission to copy, distribute and/or modify this document is prohibited without express written permission by Samlex America, Inc.

# SECTION 1 | Important Safety Precautions

The following safety symbols will be used in this manual to highlight safety and information:



## WARNING!

Indicates possibility of physical harm to the user in case of non-compliance.



## CAUTION!

Indicates possibility of damage to the equipment in case of non-compliance.



## INFO

Indicates useful supplemental information.

**Hazardous conditions may result if the charger is not installed or operated correctly. Please read the following instructions to prevent personal injury or damage to the charger.**

## BATTERY RELATED

- To reduce the risk of battery explosion, follow these instructions and those marked on the battery.
- Never smoke or allow an open spark or flame in the vicinity of the battery or the engine.
- Charge only Lead Acid type of batteries (Flooded / Absorbed Glass Mat (AGM) / Gel Cell). Do not charge other type of batteries like Nickel Cadmium (NiCad), Nickel-Metal Hydride (Ni-MH), Dry-Cell etc. Other types of batteries might burst causing personal injury.
- Never charge a frozen battery.
- Working in the vicinity of Lead Acid batteries is dangerous. Batteries generate explosive Hydrogen and Oxygen gases during normal operation. Take necessary safety precautions when installing the charger near a battery or in a battery compartment (Follow safety instructions given by the battery manufacturer).
- Never place the charger directly above or below the battery being charged; gases or fluids from the battery will corrode and damage the charger. Locate the charger as far away from the battery as DC cables permit. Do not install in the same compartment as batteries.
- Use caution to reduce the risk of dropping a metal tool on the battery. It could spark or short circuit the battery or other electrical parts and could cause an explosion.

## SECTION 1 | Important Safety Precautions

- Remove metal items like rings, bracelets and watches when working with batteries. The batteries can produce a short circuit current high enough to weld a ring or the like to metal and thus cause a severe burn.
- If you need to remove a battery, always remove the ground terminal from the battery first. Make sure that all the accessories are off so that you do not cause a spark.

### CHARGER RELATED

- The maximum Ah capacities of the batteries must be limited as follows:
  - SEC-1280UL: 800 Ah
  - SEC-2440UL: 400 Ah
- Do not operate the charger in a closed-in area or restrict ventilation in any way. Install in a well ventilated, cool, dry place.
- The charger must not be operated in a damp or wet environment. When mounting in a boat, make sure it is not subjected to bilge water splash.
- Do not block the ventilation openings / openings for the cooling fan. There should be at least 6 inches clearance all around the unit.
- Installation and wiring must comply with the local and the National Electrical Codes. It is recommended that installation may be carried out by a certified electrician.
- Wrong installation on a boat may lead to corrosion of the boat. It is recommended that installation on the boat must be carried out by a boat electrician.
- Disconnect the AC input power to the charger before connecting / disconnecting the batteries or other DC loads or when working on the charger.
- Disconnect the AC input power before changing the setting of the Dip Switches.
- The chassis of the charger is connected to the earth ground pin of the power cord plug. Ensure that the earth ground pin of AC receptacle feeding the charger is connected to earth ground.
- Do not use an adapter. If a grounding type of receptacle is not available, do not use this charger until proper outlet is installed by a qualified electrician.
- Do not operate the charger if the power cord is damaged.

## SECTION 2 | Description & Features

SEC-1280UL (for 12V batteries) and SEC-2440UL (for 24V batteries) are high current, 3 Stage Chargers (also called I U<sub>o</sub>U) that deliver 80A and 40A respectively for almost 75% to 80% of the charging cycle ensuring a very fast, safe and complete charging of Lead Acid batteries. The nomenclature " I U<sub>o</sub> U" is a DIN nomenclature and signifies the 3 charging stages – "I" for Bulk Charge Stage, "U<sub>o</sub>" Absorption / Over-charge Stage and "U" for Float / Maintenance Stage (under DIN specification, voltage is designated "U" and current is designated "I". The subscript " o" in "U<sub>o</sub>" signifies over-charge).

### FEATURES

- State-of-the-art Switch Mode Technology for high efficiency, light-weight and quiet operation.
- User configurable AC input voltage – 120 VAC or 230 VAC, 50 / 60 Hz
- Automatic operation for all types of Lead Acid Batteries - Flooded, AGM or Gel Cell
- User selectable 2 or 3-Stage automatic charging algorithm with timed Absorption Stage and temperature compensation ensures rapid, safe and full return of capacity for stand-alone and loaded batteries.
- Ability to reduce maximum charging current to approximately 1/2 of the rated capacity during "Half Power Mode". This allows safe charging of lower capacity batteries.
- Includes a Battery Temperature Sensor allowing temperature compensated charging, if required.
- 2 banks of batteries can be charged simultaneously without the use of an external battery isolator. The charging current will be shared between the two banks depending upon the depth of discharge of the connected batteries.
- Voltmeter and Ammeter for monitoring
- Fan cooled - fan ON/OFF based on output current.
- Protections against short circuit, over current, reverse battery connection and over-temperature.
- Can be used as a power supply or as a DC UPS (Uninterruptible Power Supply) when used in conjunction with a battery.
- Optional Remote LED Panel Model 900-RC with 10 Meters of wire for remote ON/OFF control and indication of charging status.
- Safety certified and listed to UL Standard UL-1564
- EMI compliant to FCC Part 15(B), Class A

### MAXIMUM AH CAPACITY OF BATTERY TO BE CHARGED

If the chargers are used to charge very high capacity batteries, they will be forced to supply their maximum rated charging current for longer time than the designed limit and hence, the components will be overstressed and are likely to fail prematurely. To prevent premature failure, the maximum Ah capacities of the batteries must be limited as follows:

- SEC-1280UL: 800 Ah
- SEC-2440UL: 400 Ah

# SECTION 3 | Layout

**NOTE:** Both SEC-1280UL and SEC-2440UL have the same layout and dimensions

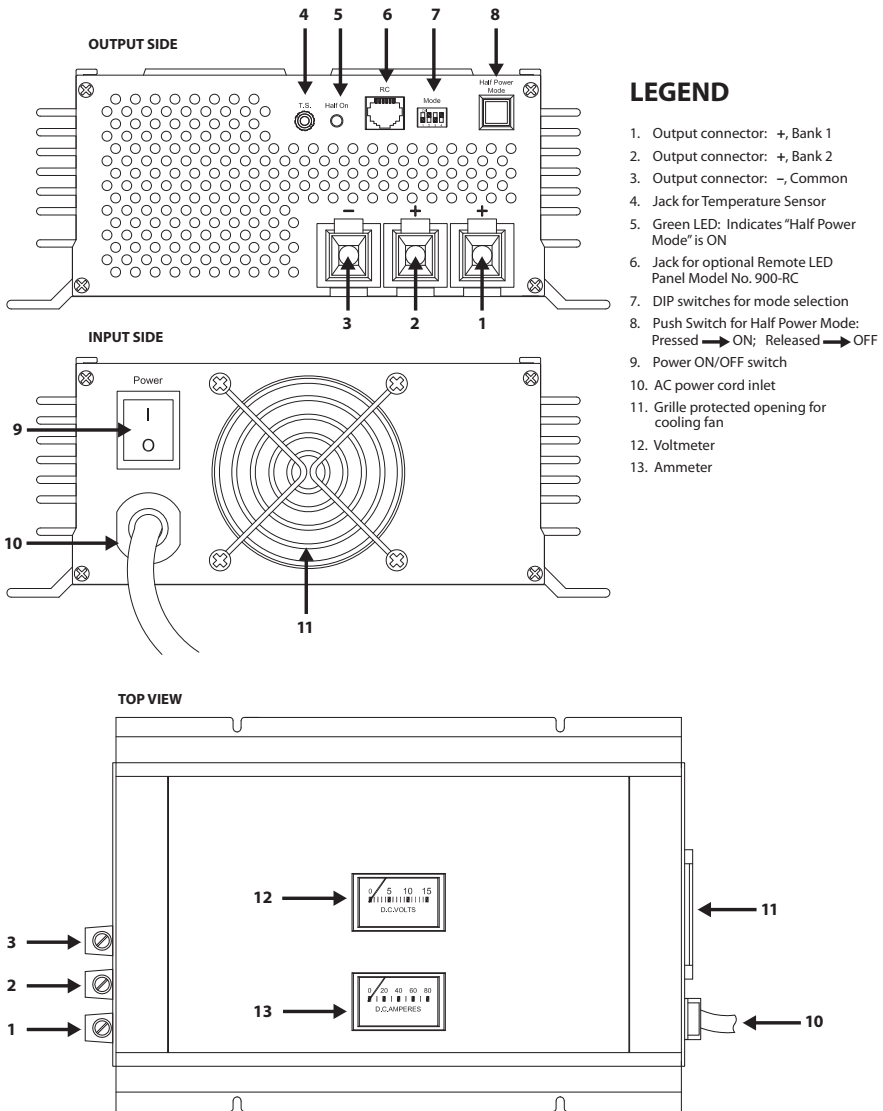


Fig. 3.1 Layout of SEC-1280UL and SEC-2440UL

## SECTION 4 | Principle of Operation



### INFO

For complete understanding of working of battery chargers, understanding of operation of Lead Acid batteries is desirable.

For detailed information on construction, working and application of batteries, please refer to White Papers or [www.samlexamerica.com](http://www.samlexamerica.com).

### BATTERY CHARGER IS A CURRENT LIMITED DC POWER SUPPLY

The charger is a current limited DC power supply that converts 120 / 230 VAC, 50 / 60 Hz to regulated DC voltages and limits the maximum output current as follows:

Model No.	Current Limit	Constant Voltage at Bulk Stage "I"	Constant Voltage at Absorption Stage "U <sub>0</sub> "	Constant Voltage at Float Stage "U"
SEC-1280UL	80A	13.5 VDC	14.0 VDC or 14.4 VDC	13.5 VDC
SEC-2440UL	40A	27 VDC	28 .0 VDC or 28.8 VDC	27 VDC

The specified output voltage of the charger during particular charging stage is held constant till the current limit value is reached. When the battery or DC load tries to draw current > the current limit value, the charger limits the current to the current limit value and the output voltage of the charger drops and is no longer constant. When the charger is connected to a battery and is in current limit condition, the terminal voltage of the charger will be clamped to the actual lower intrinsic terminal voltage of the battery (assuming the charger is very close to the battery and there is no voltage drop in the wires connection the charger to the batteries).

### BATTERY IMPEDANCE AND CHARGING CURRENT

The internal impedance of a healthy battery is very low - in tens of milli Ohms (The impedance is higher in discharged condition due to Lead Sulfate formation and reduces when the battery is fully charged – Lead Sulfate gets fully converted to Lead and Lead Dioxide). Average impedance may be assumed as 20 milli Ohm or 0.02 Ohm

When the charger is delivering a constant voltage (is not in current limit condition), the charging current drawn by the battery can be roughly calculated as follows:

**Charging current = (Charger Voltage - Intrinsic battery voltage) ÷ Internal resistance (0.02 Ohm)**

# SECTION 4 | Principle of Operation

For example, when SEC-1280UL is in the Bulk Charge Stage 1, its output voltage is set at 13.5 VDC. When a battery discharged to say 10.5V is charged, it will try to draw very large current =  $(13.5V - 10.5V) \div \text{Internal resistance } (0.02 \Omega) = 150A$ . SEC-1280UL will, however, limit this current to 80A.

## CHARGING STAGES

The battery is charged in 3 stages:

- STAGE 1 - BULK STAGE ("I" Phase),
- STAGE 2 - ABSORPTION STAGE ("U<sub>o</sub>" Phase) and
- STAGE 3 - FLOAT STAGE ("U" Phase)

The 3 charging stages and associated Charging Curves for SEC-1280UL are given at Figure 4.1 and for SEC-2440UL at Fig. 4.2

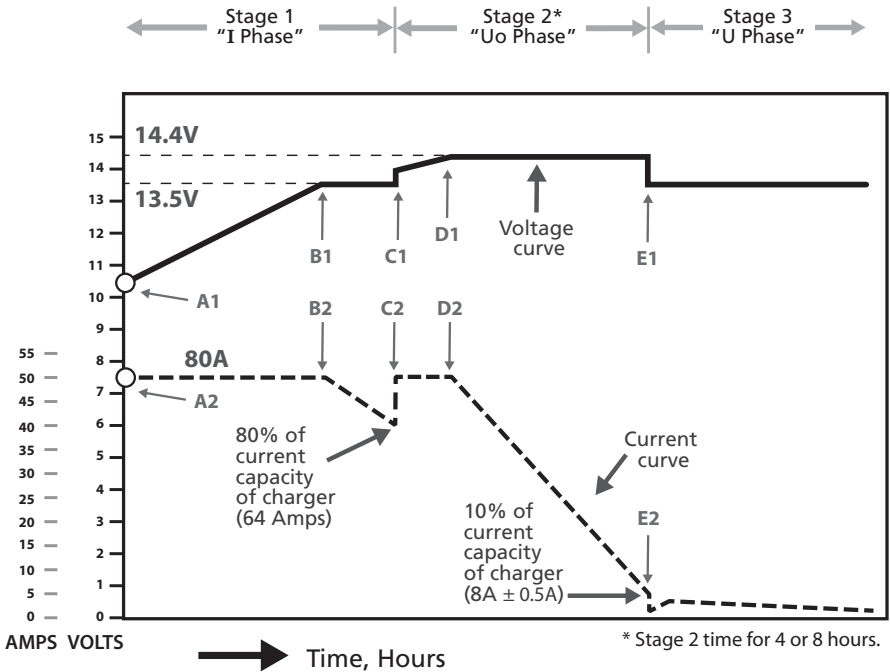


Figure 4.1 Charging Curve - SEC-1280UL



## SECTION 4 | Principle of Operation

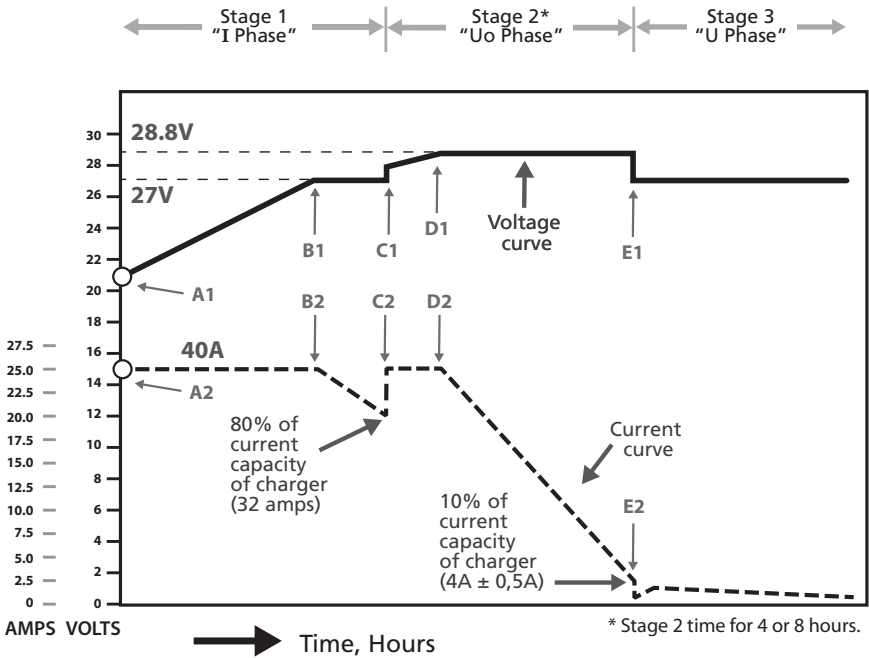


Fig. 4.2 Charging Curve for SEC-2440UL



### INFO

Please note the following important information related to the Charging Curves shown in Figs 4.1 and 4.2 above:

**1.1 Terminal Voltage reading on no load and on load:** The output terminals of the charger consist of one common Negative terminal (3) and two Red Positive terminals (1, 2) for charging two banks of batteries. Each of the two Positive terminals of the two banks has Schottky Diode in series for isolation. These isolating diodes have a current dependent forward voltage drop  $V_f$  ranging from 0.2 to 0.3V (at 0.1A) to 0.6V (at 80A). In addition, there will be additional forward drop  $V_b$  across the bulk resistance of the diode and this drop will also increase with increase in charging current. **Please note that the forward voltage drops  $V_f$  and  $V_b$  occur only when current flows through the diode.**

**1.2** The Float and Absorption voltages are tightly regulated before the isolating diodes. However, the voltages available at the terminals of the two banks will vary with the value of the charging current because of the current dependent forward voltage drop  $V_f$  and bulk resistance drop  $V_b$ . The Float Voltage before the diodes is,

## SECTION 4 | Principle of Operation

therefore, set 0.2 to 0.3V higher to compensate for the forward drops during float condition when the charging current would have dropped to less than 1A. Hence, the output voltage at the terminals of the two banks at no load (nothing connected to the terminals of the banks) will read 0.2 to 0.3V higher because there is no forward voltage drop as there is no current flow through the diodes. The voltages are specified with respect to charging / load current as follows:

Absorption Stage ("U <sub>o</sub> " Phase) of 14.4 / 14V for SEC-1280UL	At 8A +/- 0.5A
Absorption Stage ("U <sub>o</sub> " Phase) of 28.8 / 28V for SEC-2440UL	At 4A +/- 0.5A
Float Stage ("U" Phase) of 13.5V for SEC-1280UL	At 0.1A
Float Stage ("U" Phase) of 13.5V for SEC-2440UL	At 0.1A

1.3 Please also note that the output voltage at the two banks may differ between 0.2 to 0.6V depending upon the different values of the charging current being delivered through each as a result of different values of voltage drops  $V_f$  and  $V_b$ .

2.1 **Standard Temperature Conditions:** The charging voltages shown pertain to battery electrolyte temperature of 77°F (25°C)

3.1 **Charger / Battery Voltage / Current Values:** When the battery is connected to the charger and the charger is in ON condition, the voltage at the common charger / battery terminals will be the actual battery terminal voltage corresponding to its state of charge ONLY when the charger is in "current limit condition" and is supplying 80A for SEC-1280UL and 40A for SEC-2440UL. When the charger is NOT in "current limit" condition and is supplying < 80A for SEC-1280UL or < 40A for SEC-2440A, its terminal voltage will be nearly regulated and will be nearly equal to the set Bulk / Float Voltage of 13.5V for SEC-1280UL (27V for SEC-2440UL) or nearly equal to the Absorption Voltage of 14.4 / 14V for SEC-1280UL (28.8V / 28V for SEC-2440UL). Under these conditions, the battery terminal voltage will also be at 13.5 (27V) or 14.4 / 14V (28.8V / 28V) **although the actual intrinsic terminal voltage of the battery corresponding to its State of Charge at that point of time will be lower.**

3.2 The voltage curve shows the voltage at the charger output terminals, which will be the same as the voltage at the battery terminals (assuming that there is no voltage drop along the wires connecting the charger to the batteries)

3.3. The Current Curve shows the current being drawn by the battery

## SECTION 4 | Principle of Operation

### STAGE 1- BULK CHARGE STAGE (“I” PHASE)

In this stage SEC-1280UL outputs voltage of 13.5 VDC and SEC-2440A outputs 27V. The following explanation is for SEC-1280UL. Explanation for SEC-2440UL will be same but the voltage values will be 2 times and current values will be half as compared to SEC-1280UL.

**NOTE: For explanation purpose, it is assumed that the battery is deeply discharged to around 10.5 / 21V when charging is initiated.**

When the charger is switched on, the battery will try to draw very large current =  $(13.5V - 10.5V) \div \text{Internal resistance } (0.02 \Omega) = 150A$  which will be much higher than the current limit value of 80A. The charger will enter current limit condition (point A2), its internal voltage will try to drop but will be clamped to the terminal voltage of the battery i.e. 10.5V (point A1). The battery starts charging at constant current of 80A (Section A2-B2) and its intrinsic voltage starts rising almost linearly (Section A1-B1). When its intrinsic voltage approaches 13.5V, the current drawn by the battery will reduce to < 80A. At this point (B2), the charger will exit current limit and will output a constant voltage of 13.5V (point B1). As the battery charges further under constant voltage of 13.5V (Section B1 – C1), its intrinsic voltage rises further and its current starts to taper down (Section B2 – C2). The current tapers down because the intrinsic battery voltage is rising and the differential voltage between 13.5V of the charger and intrinsic voltage of the battery is reducing thereby, lesser current is driven into the battery. Tapering charge is provided at this transition to reduce surface charge effect to ensure that the charge slowly diffuses to the internal thickness of the plates and prevents overcharging. When the charging current tapers down to 80% of the rated capacity of the charger (64A for SEC-1280UL and 32A for SEC-2440UL) at point “B2”, the charger transitions to the next Stage 2 - Absorption Boost Stage (“U<sub>o</sub>” Phase)

#### Charging Characteristics During This Stage Are As Follows:

- Battery voltage rises slowly and almost linearly (it will start rising sharply at the beginning of the next Absorption Stage 2).
- The entire charging current is used to convert Lead Sulfate to Sponge Lead at the Negative plates and to Lead Dioxide at the Positive plates.
- There is no gassing and the charging efficiency is high - around 91%.
- The restored capacity in this stage is inversely proportional to the charging rate (due to Peukert Effect). This means that as the charging rate is increased, the capacity restored reduces. This stage restores 60% of capacity at charging rate of C/5, 70% to 75% capacity at charging rate of C/10 and 85% to 90% of capacity at charging rate of C/20
- Red LED marked “I Phase” will be lit on the optional Remote Control Model 900-RC

## SECTION 4 | Principle of Operation

### STAGE 2 – ABSORPTION STAGE (“U<sub>0</sub>” PHASE)

During this stage, the charger outputs constant voltage of 14V / 14.4V for SEC-1280UL and 28V / 28.8V for SEC-2440UL. As charging proceeds, there is a fairly sharp rise in the battery voltage as gassing starts. Gassing and fast rise of battery voltage continues to restore the balance of the capacity till charging is completed.

The Charger Transitions To Absorption Stage (“U<sub>0</sub>” Phase) At Point “C”.

As soon as the charger transitions to this stage, a user selectable 4 Hr / 8 Hr Timer is started with the help of DIP Switches (7) (See page 22 under “Selecting time for stage 2 - Absorption Stage”). This Timer decides the maximum duration of operation in this stage and subsequent transition to the final constant voltage Float Stage 3 at point “E”. The duration of operation in this stage is also determined by another condition where the transition to the next Float Stage at point “E” occurs when the charging current reduces to 10% or the rated capacity i.e. 8A +/- 0.5A for SEC-1280UL and 4A +/- 0.5A for SEC-2440UL. The condition, which occurs earlier, controls the transition

At the transition point “C”, the charger will output a higher constant voltage, which is above the Gassing Voltage to ensure that the battery is further, charged to full capacity without overcharging. The value of this voltage will depend upon the type of battery or charging stages selected (The type of battery and charging stages are selected with the help of DIP Switches (7) - See Section 7 under “DIP Switch Setting” on page 21):

- 14.4V (SEC-1280UL) or 28.8V (SEC-2440UL) when Flooded / AGM battery is selected
- 14V (SEC-1280UL) or 28V (SEC-2440UL) when Gel Cell battery is selected
- 13.5V (SEC-1280UL) or 27V (SEC-2440UL) when loaded battery is selected (2 stage charging)

However, this constant voltage is not seen immediately because the charger enters current limit as soon as it enters point (C2). As the charger voltage has been increased, the battery will try to draw higher value of current which will be equal to the difference between this higher voltage and the actual intrinsic voltage of the battery divided by the internal resistance of the battery (.02 Ohm). The value of this current at the transition point (C2) will be higher than the current limit value forcing the charger to enter current limit condition once again. As the charger is in current limit condition, it does not regulate its output voltage. The voltage at the charger terminals is the actual internal battery voltage at that point (C1). Once again, the battery starts charging further at the maximum rated constant current of 80A for SEC-1280UL / 40A for SEC-2440UL (C2 to D2). The battery voltage also starts rising further (C1 to D1).

At point (D2), the charging current reduces to less than the current limit value of 80A for SEC-1280UL / 40A for SEC-2440UL and the charger now exits current limited constant current mode and enters constant voltage mode of 14V / 14.4V for SEC-1280UL and 28V / 28.8V for SEC-2440UL (point D1). (Please note that the voltage of 14V / 14.4V or

## SECTION 4 | Principle of Operation

28V / 28.8V at both the charger and battery terminals is the constant Absorption Voltage being put out by the charger. The intrinsic voltage of the battery is still lower than this voltage as the battery is still not fully charged at this transition). As the intrinsic voltage of the battery rises further, the charging current starts tapering down (section D2 to E2). Tapering charge is provided at this transition to reduce surface charge effect to ensure that the charge slowly diffuses to the internal thickness of the plates and prevents overcharging.

When the 4 Hr / 8 Hr Timer runs out or when the charging current tapers down to 10% of the rated capacity of the charger (8A +/- 0.5A for SEC-1280UL and 4A +/- 0.5A for SEC-2440UL) at point "E2" (whichever is earlier), the charger transitions to the next Stage 3 - Constant Voltage, Float or Maintenance Charge Stage ("U" Phase)

**NOTE:** The threshold of current for change-over between the Constant Overcharge Voltage, Timed Voltage Absorption / Boost Stage ("U<sub>0</sub>" Phase) & the Float / Maintenance Charge Mode ("U" Phase) are different as follows:

	SEC-1280UL	SEC-2440UL
From "U <sub>0</sub> " Phase to "U" Phase	8A +/- 0.5A	4A +/- 0.5A
From "U" Phase to "U <sub>0</sub> " Phase	15A +/- 1A	8A +/- 1A

**Charging Characteristics During This Stage Are As Follows:**

- The Absorption Stage ("U<sub>0</sub>" Phase) feeds additional 35% to 55% of the capacity that adds up to a total charged capacity of around 115% to take care of around 15% loss of charging efficiency.
- Orange LED marked "U<sub>0</sub>" Phase on the optional Remote Control 900-RC will be lit

### STAGE 3 - CONSTANT VOLTAGE, FLOAT OR MAINTENANCE CHARGE STAGE (U PHASE)

During this mode, the charger outputs a constant voltage "U" = 13.5V (SEC-1280UL) or 27V (SEC- 2440UL). This helps in maintaining full capacity of the battery and also provides replacement charge to overcome self discharge of the battery. The battery can remain connected in this stage indefinitely without the risk of discharging.

**Charging characteristics during this stage are as follows:**

Green LED marked Float Stage ("U" Phase) on the optional Remote Control 900-RC will be lit.

## SECTION 4 | Principle of Operation



### CAUTION!

3 stage charging is recommended for charging stand-alone, unloaded batteries (there is no load connected to the battery when it is being charged). If a load is also connected simultaneously, a part of the charger's output current will be diverted to this load. Thus, the charger may remain locked in Stage 2 if the current drawn by the load is more than the preset value of threshold current determining change over from Stage 2 to Stage 3. This will lead to over-charging and loss of electrolyte.

For charging a battery when a load is also connected simultaneously, Stage 2 voltage should be same as Stage 3. Select "Loaded Battery" with the help of DIP Switches marked "Mode" (7) - See Section 7 under "DIP Switch Setting" on page 21.

## SECTION 5 | Protections

The charger has the following protections:

### SHORT CIRCUIT SHUT DOWN

In case of a short circuit on the output side, the output of the charger will be shut down. Another symptom of short circuit shut down is that the fan will be ON till the unit is reset or switched OFF. On the optional Remote Control 900-RC, Green LED marked "Power" and Red LED "I Phase" will be lit. The charger will be latched in this shut down condition and will NOT recover automatically even after the short circuit condition is removed. To reset, the AC input power ON/OFF switch at the back of the unit has to be switched OFF and ON again.

### OVER LOAD CURRENT LIMITING

The current drawn by the load is automatically limited to a maximum of 80A for SEC-1280UL (40A +/- 1A in "Half Power Mode") and 40A for SEC-2440UL (20A +/- 1A when in "Half Power Mode"). If the load tries to draw a higher current than these limits, the output voltage of the unit will start to drop. The unit will automatically recover when the overload condition is removed.

### REVERSE BATTERY CONNECTION – DC SIDE FUSES WILL BLOW

The output is internally fused on the DC side - 3 x 30A fuses for SEC-1280UL and 3 x 15A fuses for SEC-2440UL. In case, the polarity of the battery connection is reversed, the fuse(s) will blow. Another symptom of blown fuse on DC side is that the fan will be ON till the unit is switched OFF. On the optional Remote Control 900-RC, Green LED marked "Power" and Red LED marked "I Phase" will be lit.

# SECTION 5 | Protections

## COOLING

The charger is cooled by convection and in addition, has a fan for forced air-cooling. The operation of the fan is controlled by the current supplied by the charger and will be switched ON and OFF automatically as follows:

	SEC-1280UL	SEC-2440UL
Switch ON current	15A +/- 1A	8A +/- 1A
Switch OFF current	8A +/- 0.5A	4A +/- 0.5A

**NOTE:** Once the fan switches on at the specified current threshold, it will switch off at a lower threshold. For example, the fan in SEC-1280UL switches ON at 15A but switches OFF at 8A. This is to prevent the fan from oscillating between ON and OFF conditions due to minor fluctuations in load current

## OVER TEMPERATURE SHUTDOWN



### CAUTION!

Keep the charger in a well ventilated, cool and open area. **DO NOT BLOCK THE VENT HOLES** on the sides or the discharge openings of the cooling fan. Keep at least 6" clearance on all sides

In case the fan fails or if the cooling is not adequate due to higher ambient temperature, inadequate air circulation or blockage of air ventilation openings, the temperature inside the unit will rise. A temperature sensor is mounted on in the windings of the power transformer. At 105° C +/- 5° C the thermal sensor will activate and shut down the output voltage of the charger. The fan will be ON. On the optional Remote Control 900-RC, Green LED marked "Power" and Red LED marked "I Phase" will be lit. The charger will be latched in this shut down condition and will NOT reset automatically even after the unit has cooled down. To reset, the AC input power ON/OFF switch at the back of the unit has to be switched OFF and ON again.

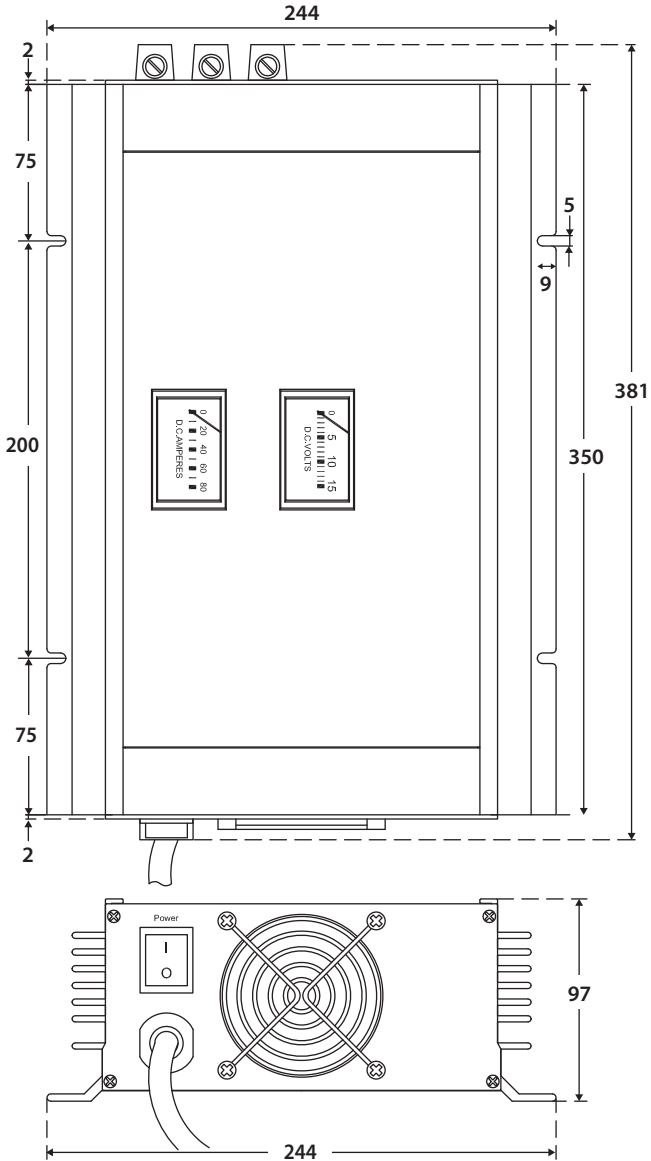
## PROTECTION AGAINST TRANSIENTS / SURGES IN THE AC INPUT

In a number of locations, the AC line input is not clean and may contain high voltage transients / surges. To prevent damage to the internal components against these unwanted high voltages, the charger uses a MOV (Metal Oxide Varistor) for protection. If surge / transient voltage higher than approximately 170 VAC in 120V Mode / 340 VAC in 230 VAC Mode appear in the AC input, the MOV will conduct and will blow the AC side fuse.

# SECTION 6 | Installation

## INSTALLATION DIMENSIONS

Installation dimensions are given below. Dimensions are same for SEC-1280UL and SEC-2440UL.





## SECTION 6 | Installation

### LOCATION, MOUNTING AND SAFETY

The charger is required to be installed in a safe, well ventilated and dry location. Please see the details given under "Important Safety Precautions". The charger can be mounted horizontally or vertically. When mounting vertically on a wall or a bulkhead, please ensure that the axis of the fan rotor is horizontal i.e. the fan exhaust opening should face left or right but NOT face up or down.



#### WARNING!

Mounting the unit vertically on a vertical surface with the fan opening facing up or down is NOT allowed for safety. This is to prevent falling of objects into the unit through the fan grille when the fan opening faces up. If fan opening faces down, hot damaged components may fall out.

### OUTPUT CONNECTORS

Connectors with tubular, screw down type of terminals are used for output connection. The diameter of the tubular hole of the connector is 8 mm (0.31 inches). Two positive output connectors (1, 2) are provided for connecting to the Positive terminals of the 2 banks of batteries. One common connector (3) is provided for the Negative connection. The set screw size is M8.

### TERMINAL LUGS FOR CONNECTION TO THE CHARGER

For firm connection when using stranded wire, crimp / solder "pin" style terminal lugs on the charger end of the DC wires used for connecting to the battery / other DC loads. 3 pieces of "pin" style terminal lugs have been provided as follows:

- For SEC-1280UL Will accommodate up to AWG #2 wire / 35 mm<sup>2</sup> wire
- For SEC-2440UL Will accommodate up to AWG #4 wire / 25 mm<sup>2</sup> wire

### WIRES

To avoid polarity errors and possible damage, never use wires of only one color. Use Red insulated wire(s) for Positive connection(s) and Black for Negative connection(s). Recommended DC wire sizes are given below (Based on a voltage drop of 2%). The length in feet is the length of the pair of the positive and negative DC wires from the charger to the battery / other DC loads.

Distance From Battery	SEC-1280UL	SEC-2440UL
Up to 6 ft.	AWG #2	AWG #8
6 to 10 ft	AWG #1/0	AWG #6
10 to 20 ft.	AWG #3/0	AWG #4

### TERMINATION OF WIRE ENDS

For firm connection when using stranded wire, wire ends for the connection to the charger should be terminated with pin types of lugs that have been provided.

## SECTION 7 | Preparing the Charger for Operation

### SELECTING AC INPUT VOLTAGE

The charger is pre-set to operate from input AC voltage of 120 VAC, 60 Hz. To operate the charger from AC input voltage of 230 VAC, 50 Hz, change the internal setting as follows:

1. Remove the side plate that has the power cord entry by unscrewing 4 screws
2. Remove the Voltmeter and the Ammeter on the top central plate by prying up the bottom edges of the meters with a broad, flat screw driver and by pushing the meters up from the bottom of the plate (these are snap fitted). Remove the connecting wires and mark them. Note the polarity for connecting back in proper polarity. The meter terminals are marked Positive (+) and Negative (-). Thicker wires are for the Ammeter and thinner are for the Voltmeter
3. Gently slide the center top cover plate out. Note and mark its orientation for correct re-fitting
4. Locate Yellow loop of jumper wire with quick female disconnect. In the pre-set 120 VAC condition, this jumper wire is shorting the male vertical pins marked "C" and "D" and "115V". Pull any one end of this female disconnect upwards to disconnect shorting between "C" and "D". Insulate this end with insulating tape. The unit is now set for "230 VAC"
5. The 120 VAC version has a soldered 20A fuse on the AC side. When converting 120 VAC version unit for 230 VAC operation, there is no need to replace the 20A fuse
6. Replace the AC plug of the power cord with a suitable 3 pin grounded plug to mate with the 230 VAC outlet.



#### CAUTION!

The new plug should have 3 poles i.e. Line (L), Neutral (N) and Earth ground. Color code for the power cord conductors is:

- Line (L) - Black
- Neutral (N) - White
- Earth ground - Green

### CONNECTING THE BATTERIES OR OTHER DC LOADS

As shown in Fig. 7.1 and 7.2 (page 19), the output of the charger has a common Negative (-) connector and 2 Positive connectors for connection of 2 banks of batteries. Each Positive connector has its own internal isolating diode, which works as a battery isolator. If more than one bank of batteries is connected, these will be charged at the same time as long as the AC power is available to the charger (the maximum charging current of 80A of SEC-1280UL and 40A of SEC-2440UL will be shared among the connected banks of the batteries depending upon their discharged states). In case the AC power fails or if there is no output from the charger, the isolating diodes will prevent charging / discharging among the batteries connected to the banks.

# SECTION 7 | Preparing the Charger for Operation

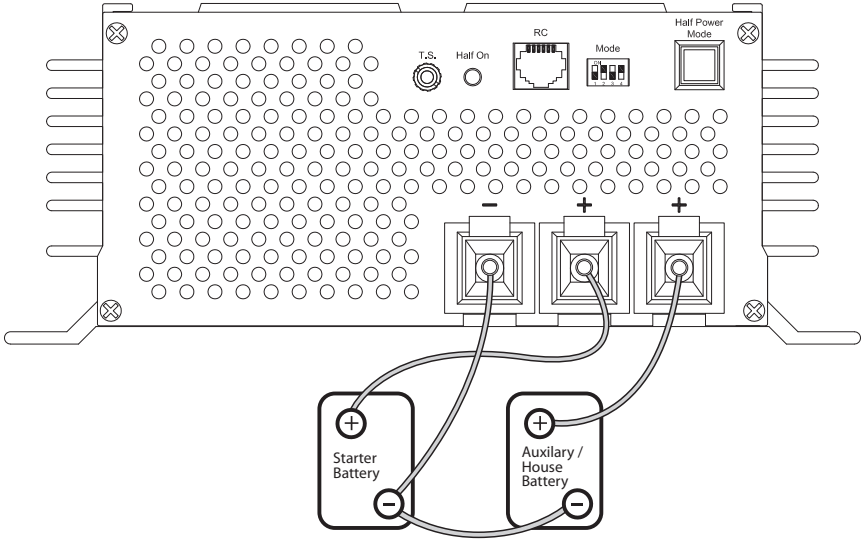


Fig. 7.1 Connecting 2 separate battery systems to 2 separate banks

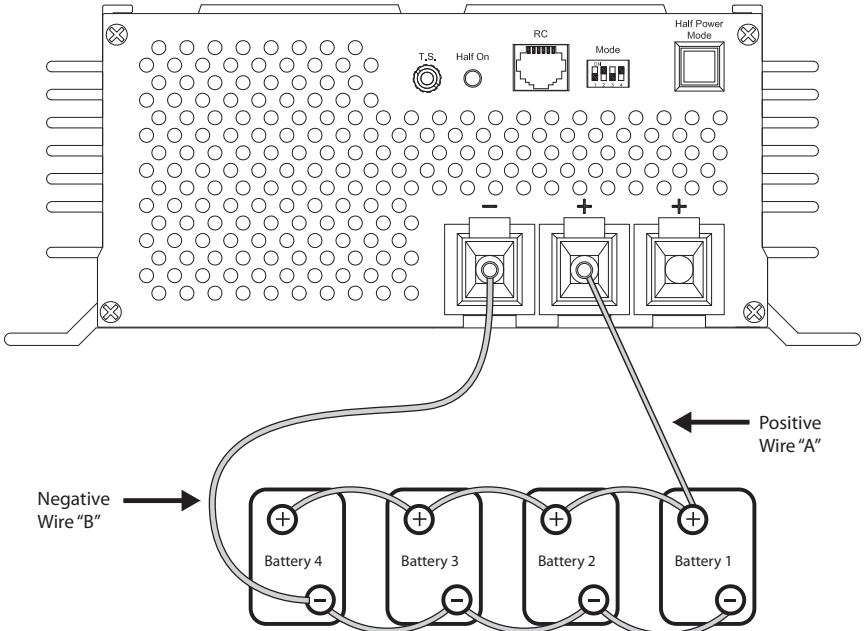


Fig. 7.2 Connecting bank of paralleled batteries to single bank

## SECTION 7 | Preparing the Charger for Operation

In a single battery bank, two or more batteries may be connected in parallel to increase their AH capacity. These will be discharged and charged as a single battery bank. In this case, the paralleled bank of multiple batteries is to be considered as a single bank and connected to any one of the 2 banks of the charger as shown in Fig. 7.2 for bank of 4 batteries. For proper charging of all the batteries, please ensure that the Positive wire "A" from the charger is connected to the Positive terminal of the first battery (Battery 1) and the Negative wire "B" is connected to the Negative terminal of the last battery (Battery 4). This will ensure the following:

- Resistance of the interconnecting cables will be balanced and the individual batteries will see the same series resistance
- All the individual batteries will be charged at the same charging current and thus will be charged to the same state of charge
- None of the batteries will see an over-charge condition

When connecting a single battery or other single DC load, it can be connected to the common Negative and any one of the 2 Positive terminals as in Fig. 7.1.

### CHARGING MORE THAN ONE BANK OF BATTERIES



#### CAUTION!

When charging more than one bank of batteries at the same time using 3 Stage Charging, ensure that the batteries in the banks are in a similar discharged condition. If one bank is completely discharged and another is almost fully charged, the bank that is fully charged will be subjected to over charge condition during the time when the charger remains in Stage 2 ("Uo" Phase) for charging the completely discharged bank.

If 2 banks of batteries are required to be charged and they are at different discharged conditions, select "Loaded Battery" (2 Stage Charging) with the help of switches S1 and S2 of the set of 4 DIP Switches (both S1 & S2 in off condition) - See under heading "Dip Switch Setting" on page 21.

### SELECTING TYPE OF BATTERY AND CHARGING STAGES

Stage 3 Float Stage ("U" Phase) voltage and Stage 2 Absorption Stage ("Uo" Phase) voltage are different for different types of Lead Acid Batteries.

3 Stage charging (Stages 1, 2 and 3) is recommended when charging stand alone, unloaded battery (The battery has no load connected to it when it is being charged).

When the charger is used to charge a battery and simultaneously supply an external load, the voltage level of Stage 2 is required to be set to the same level as the voltage of Stage 3 to prevent over-charging. Effectively, the battery will be charged in 2 stages only

## SECTION 7 | Preparing the Charger for Operation

- Stage 1 and Stage 3. This also applies when two banks of batteries are being charged simultaneously and the batteries in the two banks are in a dissimilar state of discharge. A pair of switches S1 & S2 out of a set of 4 DIP Switches has been provided for selecting the battery type and for modifying the Stage 2 Absorption Stage when charging loaded batteries / two banks of batteries with different discharged states. The following selections can be made with the help of the DIP Switches S1 and S2:



### CAUTION!

Do not change the DIP Switch setting when the charger is operating. Always change the DIP Switch setting when the charger is OFF, i.e. after disconnecting the charger from the AC input power).

**NOTE:** The voltages are for battery temperature of 77°F / 25°C.

### DIP SWITCH SETTING FOR SEC-1280UL

S1	S2	Float	Absorption	Battery Type	Charging Stages
OFF*	ON*	13.5V*	14.4V*	Flooded / AGM*	3 Stages (Stages 1, 2, 3)
ON	OFF	13.5V	14.0V	Gel Cell	3 Stages (Stages 1, 2, 3)
OFF	OFF	13.5V	Disabled	Battery with Load	2 Stages (Stages 1, 3)
ON	ON	<b>Caution! Do NOT use this setting</b>			

\* Factory pre-set in this position

### DIP SWITCH SETTINGS - SEC-2440UL

S1	S2	Float	Absorption	Battery Type	Charging Stages
OFF*	ON*	27V*	28.8V*	Flooded / AGM*	3 Stages (Stages 1, 2, 3)
ON	OFF	27V	28.0V	Gel Cell	3 Stages (Stages 1, 2, 3)
OFF	OFF	27V	Disabled	Battery with load	2 Stages (Stages 1, 3)
ON	ON	<b>Caution! Do not use this setting</b>			

\* Factory pre-set in this position

## SECTION 7 | Preparing the Charger for Operation



### CAUTION!

PLEASE ENSURE THAT POSITION S1- ON AND S2 - ON IS NEVER SELECTED

### SELECTING THE TIME FOR STAGE 2 - ABSORPTION STAGE (“U<sub>0</sub>” Phase)

Stage 2 - Absorption Stage (“U<sub>0</sub>” Phase) is controlled by an internal timer circuit. Time of 4 hours or 8 hours can be selected with the help of a pair of switches S3 & S4 of the set of 4 DIP Switches (5). Check with the battery manufacturer for the optimum setting. The preset value is 4 Hrs. Select the times as follows:

Time	DIP Switch S3	DIP Switch S4	Type of Battery
4 hours*	OFF*	ON*	Flooded / Wet Cell
8 hours	ON	OFF	Gel Cell & AGM
Disable	OFF	OFF	-

\* Factory preset in this position



### CAUTION!

PLEASE ENSURE THAT POSITION S3- ON AND S4 - ON IS NEVER SELECTED

### REDUCTION OF MAXIMUM CHARGING CAPACITY TO HALF FOR SAFE CHARGING OF LOWER CAPACITY BATTERIES - HALF POWER MODE

Batteries should not be charged at very high currents to ensure long life. Unless approved by the manufacturer, the maximum charging current should be limited to approximately  $C/10$  (where C is the Ah capacity of the battery at 20 Hour Rate). Thus, at the rated current capacities (80A for SEC- 1280UL and 40A for SEC-2440UL), the Ah capacity of the battery that should be charged with the charger will be:

- $80A \times 10 = 800$  Ah for SEC-1280UL
- $40A \times 10 = 400$  Ah for SEC-2440UL

If battery with lower Ah capacity is charged at the full charging rate, the battery life is likely to be reduced.

A provision has been made to reduce the maximum charging current to approximately half: 40A +/- 1A for SEC-1280UL & 20A +/- 1A for SEC-2440UL. This mode is termed as “Half Power Mode”. This mode can be selected by pressing push switch marked “Half Power Mode” (8). When selected, a Green LED marked “Half On” (5) will be lighted. When “Half Power Mode” is selected, batteries with the following lower capacities can be safely charged at  $C/10$  charging rate:

- SEC-1280UL - 400 Ah
- SEC-2440UL - 200 Ah

## SECTION 7 | Preparing the Charger for Operation

### TEMPERATURE COMPENSATION

The cell voltages of a battery depend upon the temperature of the cells inside the battery. The cells have a Negative Temperature Coefficient - their voltage levels increase at lower temperature and decrease at higher temperature. The Negative Temperature Coefficient is - 2.5 mV / °F / cell or - 15.0 mV / °F / 6 cells for a 12V battery or - 30.0 mV / °F / 12 cells for a 24V battery.

The battery and battery charger voltages are normally specified at a temperature of 77°F (25°C). Thus, if the battery temperature is considerably lower than or higher than 77°F, it will be under-charged or over-charged unless the battery charger has temperature compensation.

### TEMPERATURE SENSOR PROBE TF-500

This charger has a provision for temperature compensation. A temperature sensor unit - Model No. TF-500 (Fig. 7.3) is provided for this purpose.

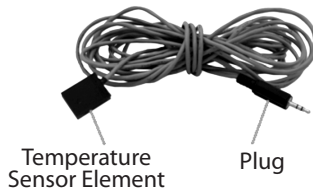


Fig. 7.3. Temperature Sensor Model No. TF-500



#### CAUTION!

This temperature sensor is matched and calibrated for each battery charger and should not be interchanged with the sensor from another battery charger.

The temperature sensor comes with 5 Meter cable. It has a plug on one end. Connect this plug into the jack marked TS (4) on the rear panel of the charger. The other end has the temperature sensor element. Mount this temperature sensor element flush with the side surface of the battery for proper heat transfer.

When the temperature sensor is connected, the voltages during Stages 2 and 3 are automatically adjusted as per the temperature of the battery and the above temperature coefficient.

## SECTION 7 | Preparing the Charger for Operation

### REMOTE CONTROL PANEL MODEL NO. 900-RC

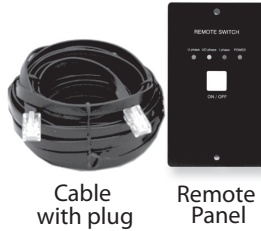


Fig 7.4 Remote Control Panel Model No. 900-RC

An optional wired Remote Control Panel Model No. 900-RC (Fig 7.4 above) can be ordered. It comes with 10 meters of RJ-45, 8P8C Modular, Straight cable . It is plugged into the Remote Control Jack (6). The Remote Control Panel can be used to switch ON / switch OFF the charger and also monitor the charging status of the charger from a remote location. **Please read the manual for the optional Remote Control Panel 900-RC for related indications.**

## SECTION 8 | Operation



### CAUTION!

Negative Temperature Coefficient (NTC) thermistors are used in series with the AC input circuit to limit very large spike of inrush current drawn by input side capacitors, which act almost like a short circuit during the first half cycle after the charger is switched ON. When charger is switched ON, NTC is in cold state, its resistance is high and hence, the inrush current spike is suppressed to safe level. It heats up very fast and its resistance drops to almost zero. It remains in heated condition as long as the charger remains switched ON. When the charger is switched OFF, the NTC requires around 2 to 3 min to cool down and reset its resistance to high cold state value for spike suppression the next time it is needed. The following precautions are to be taken to prevent damage to the NTC and to the input circuit:

- Do not switch ON, switch OFF and Switch ON the charger in quick succession. After switching OFF the charger, wait for at least 5 minutes before switching ON again to allow cooling down of the NTC
- When powering the charger from a generator, allow the generator to warm up and stabilize in voltage before switching ON the charger. If the charger is in ON condition and the generator is started, high voltage transients produced by the generator during startup may damage the NTC



## SECTION 8 | Operation

### SWITCHING ON / OFF

The charger is switched ON / OFF with the illuminated AC input power ON / OFF switch (9) located on the rear panel of the unit. The switch is illuminated Red when switched ON.

### INDICATION OF NORMAL OPERATION AND CHARGING STATUS

When the charger is switched ON without any load, the fan will come on momentarily and switch OFF. Voltmeter (12) will indicate the voltage at the terminals of the charger. Ammeter (13) will indicate the current being drawn from the charger. When a stand-alone battery is being charged and has charged fully, the current will be almost 0A. When the charger is in current limit condition during the Stage 1- Bulk Charge Stage ("I" Phase) or Stage 2 – Absorption Stage ("Uo" Phase), the current shown will be full 80A for SEC-1280UL and 40A for SEC-2440A .

### POWERING OTHER DC LOADS

The charger can be used as a power supply or as a DC UPS (DC Uninterruptible Power Supply). For both these applications, first set switches S1 and S2 of DIP Switch to OFF position to set the charger to work in 2 stage mode (See under "DIP Switch Setting" on page 21).

### USING THE CHARGER AS A POWER SUPPLY

To use as a power supply, first switch off the DC load. Connect the DC load between the common Negative terminal and one of the 2 Positive terminals. Ensure that the maximum current drawn by the DC load is below the maximum current rating of the charger. Switch on the charger and then the DC load.

### USING THE CHARGER AS A DC UPS

In a DC UPS (Uninterruptible Power Supply) , the charger simultaneously powers the DC load as well as the battery. As long as the AC power to the charger is available and the charger is working normally, the charger will supply the DC load as well as charge / float the battery. In case the AC power fails or if the charger stops working, the battery will automatically power the DC load. As soon as the AC power to the charger is restored, the DC load will once again be fed by the charger and at the same time the battery will be recharged.



#### CAUTION!

Please ensure that the sum of the current drawn by the DC load and the current desired for charging the battery is less than the maximum current capacity of the charger.

To use as a DC UPS, first switch OFF the DC load and connect it to the battery. Now connect the battery to the charger as explained above under. Switch on the charger and then switch on the DC load. For operation in this mode, set switches S1 & S2 of DIP switches marked Mode (7) to OFF for "Battery with Load" application (See under "DIP Switch Setting" on page 21).

## SECTION 9 | Troubleshooting

The symptoms of abnormal operation and the possible cause(s) and remedies are given in the succeeding paragraphs.

**THERE IS NO OUTPUT. THE AC POWER ON/OFF SWITCH DOES NOT ILLUMINATE WHEN SWITCHED ON. THE VOLTAGE METER DOESN'T MOVE (ON THE REMOTE PANEL, THE GREEN LED UNDER "POWER" IS OFF).**

- There is no AC input voltage in the outlet: Check that AC power is available in the AC outlet receptacle and that it is switched ON.
- The AC input side fuse is blown due to:
  - **High input voltage:** Check that the input voltage is 120 VAC nominal (normal range is 108 to 132 VAC).
  - **High voltage transients / surges in the AC input line:** Ensure that the AC input voltage is clean and does not have high voltage transients / surges. Input voltage surges / transients > 170 VAC will blow the AC side fuse. Use a suitable AC line conditioner / surge suppressor, if necessary.
  - **The unit has become defective:** If fuse is not blowing due to the above two causes, the unit has become defective. Call Technical Support for assistance.

**THERE IS NO OUTPUT VOLTAGE. THE VOLTAGE METER DOESN'T MOVE AND THE AC POWER ON/OFF SWITCH IS ILLUMINATED RED (ON THE OPTIONAL REMOTE CONTROL 900-RC, THE RED LED UNDER "I PHASE" IS LIGHTED, THE GREEN LED UNDER "POWER" IS LIGHTED). THE FAN IS ON CONTINUOUSLY.**

- **The DC side output fuse is blown:** The DC side fuse will blow if the battery is connected in wrong polarity. Ensure that the Positive battery post is connected to the Positive connector of the charger (either Bank 1 or Bank 2) and the Negative battery post is connected to the Negative connector (common) of the charger. Replace the fuse with a fuse of the specified rating.
- **The battery / DC load is shorted:** Check and remove the short circuit. The charger will latch in the OFF condition if it was shut down due to short circuit and will NOT reset automatically. To re-set, switch off the AC power input ON / OFF switch and switch ON again.
- **Shut down due to high temperature:** Check that the cooling fan is working, the air vents are not clogged and the ambient temperature is not very high. The charger will be latched in this shut down condition and will NOT reset automatically even after the unit has cooled down. To reset, the AC input power ON / OFF switch has to be switched OFF and ON again.
- **AC input has been set to 230 VAC and is being operated at 120 VAC:** Check the position of the internal jumper for setting 120 VAC / 230 VAC operation. For 120 VAC operation, the jumper should be connected and should be shorting points "C" and "D" on the PCB

**WHEN THE CHARGER IS POWERED AND IS BEING USED AS A DC POWER SUPPLY / UPS, THE OUTPUT VOLTAGE DROPS WHEN THE DC LOAD IS SWITCHED ON OR INCREASED.**

The charger is being forced into current limit condition. The load is trying to draw current more than the current limit value of the charger - 80A for Normal operation & 40A +/- 1A for "Half Power Mode" for SEC-1280UL and 40A for Normal operation & 20A +/- 1A for "Half Power Mode" for SEC-2440UL (the current limit value is the maximum specified charging Amps). Once the load current reaches the current limit value, the current limit circuit is activated and the output voltage drops. Some loads like motors, compressors, incandescent lamps, halogen lamps, heating elements, relays,

## SECTION 9 | Troubleshooting

coils, capacitors etc. draw very large inrush / starting currents which may reach up to 10 times their normal operating currents. Ensure that the starting / inrush current or the maximum operating current of the load is lower than the current limit value of the charger. Do not use a load that draws more than 80A (40A +/- 1A for "Half Power Mode") for SEC-1280UL or more than 40A (20A +/- 1A for "Half Power Mode") for SEC-2440UL. Once the load current is reduced below the above limiting values, the charger will recover automatically.

### THE BATTERY IS GETTING OVER CHARGED / OVERHEATED / LOSES WATER OR BOILS.

- **There is an external load connected to the battery when it is being charged:** 3-stage charging is recommended for charging stand-alone or unloaded batteries (there is no load connected to the battery when it is being charged). If a load is also connected simultaneously, a part of the charger's output current will be diverted to this load. Thus, the charger may remain locked in Stage 2 if the current drawn by the load is more than the preset value of threshold current determining transition from Stage 2 to Stage 3. This will lead to overcharging, overheating and loss of electrolyte.

For charging a battery when a load is also connected simultaneously, Stage 2 voltage should be the same as Stage 3 voltage (Stage 2 is disabled). Select "Loaded Battery" with the help of DIP Switches S1 and S2 of the set of 4 DIP Switches - See under "DIP Switch Setting" on page 21.

- **Two banks of batteries are being charged and the batteries in the two banks are in dissimilar state of discharge:** When charging more than one bank of batteries at the same time using 3 Stage Charging, ensure that the batteries in the banks are in a similar discharged condition. If one bank is completely discharged and another is almost fully charged, the bank that is fully charged will be subjected to over charge condition during the time when the charger remains in Stage 2 for charging the completely discharged bank.

If 2 banks of batteries are required to be charged and they are at different discharged conditions, select "2 Stage Charging" with the help of switches S1 and S2 of the set of 4 Dip Switches (both S1 & S2 in off condition) - See under "DIP Switch Setting" on page 21.

- **Very high charging current for low Ah capacity battery:** Charging rate should normally be limited to C/10 unless specified otherwise by the battery manufacturer. Very high charging rate may lead to reduction in the cell voltage when gassing starts and can result in higher temperatures, loss of water and boiling of the battery.

### THE BATTERY IS TAKING EXCESSIVELY LONG TIME TO FULLY RECHARGE OR WHEN THE CHARGER IS POWERED AND IS BEING USED AS A DC POWER SUPPLY / UPS, THE OUTPUT VOLTAGE DROPS AT LOWER DC LOAD CURRENTS.

- **The unit is in "Half Power Mode":** (Green LED (8) located on the bottom left corner of the front panel of the unit is lighted). When this mode is selected, the maximum charging current will be automatically reduced to 40A +/- 1A for SEC-1280UL and 20A +/-1A for SEC- 2440UL. Hence, the charging time will increase. Switch off the "Half Power Mode" if the full rated charging capacity is required.

## SECTION 10 | Internal Fuse Ratings

Both the AC input side and DC output side have fuses.

The AC input side fuse is located on the PCB F1 inside the unit. It is rated at 250V, 20A, Time Delay (Size 6.3 mm x 32 mm, pig-tail).

The DC side fuses are located inside the unit. To access these fuses, remove the top cover. These are automotive blade fuses (for example, "Littelfuse" Type ATO) rated as follows:

SEC-1280UL	3 pieces, each rated at 32V, 30A
SEC-2440UL	3 pieces, each rated at 32V, 15A

## SECTION 11 | Specifications

PARAMETER	SEC-1280UL	SEC-2440UL
<b>NOMINAL INPUT VOLTAGE</b> Factory Preset	120 VAC, 50 /60 Hz (108 to 132 VAC)	
By changing internal jumper	230 VAC, 50 / 60 Hz (207 to 253 VAC)	
<b>INPUT CURRENT</b> At 120 VAC input	15.9A	15.3A
At 230 VAC input	8.6A	8.3A
<b>OUTPUT VOLTAGE</b> Bulk "I Phase"	13.5V +/-0.05V	27.0V +/- 0.05V
Absorption "Uo Phase"*	14V / 14.4V +/-0.05V	28V / 28.8V +/- 0.05V
Float "U Phase"*	13.5V +/- 0.05V	27.0V +/- 0.05V
<b>MAXIMUM BULK CHARGING CURRENT, I</b> Normal Operation	80A	40A
Half Power Mode	40A +/-1A	20A +/- 1A
<b>THRESHOLD OF CURRENT FOR CHANGE OVER ABSORPTION</b> From Float "U" to Absorption "Uo"	15A +/-1A	8A +/-1A
From Absorption "Uo" to Float "U"	8A +/-0.5A	4A +/-0.5A
<b>DURATION OF ABSORPTION / BOOST STAGE</b>	4 Hrs or 8 Hrs (Switch selectable)	
<b>MAXIMUM BATTERY CAPACITY</b>	800 Ah	400 Ah
<b>TEMPERATURE COMPENSATION</b>	YES, with Temperature Sensor TF-500	

# SECTION 11 | Specifications

PARAMETER	SEC-1280UL	SEC-2440UL
WIRED REMOTE PANEL (OPTIONAL)	YES (Model 900-RC)	
COOLING	Load Controlled Cooling Fan ON at 15A ± 1A OFF at 8A ± 0.5A	Load Controlled Cooling Fan ON at 8A ± 1A OFF at 4A ± 0.5A
PROTECTIONS		
Overload	YES	
Short Circuit	YES	
Reverse Polarity	YES	
Over Temperature	YES	
OUTPUT BANKS	2	
OUTPUT CONNECTORS	Terminals with tubular holes (8 mm Dia) and set screw - M8	
OPERATING TEMPERATURE RANGE	0° – 40°C	
FUSES - AC INPUT SIDE (6.3 mm x 32 mm); Slow Blow / Time Delay: 120 VAC Input	20A / 250V	
FUSES, DC OUTPUT SIDE Automotive Blade Type e.g. Littelfuse "ATO" Series	32V , 90A (3 pieces of 30A in parallel)	32V , 45A (3 pieces of 15A in parallel)
DIMENSIONS: (L X W X H), mm (L X W X H), inch	381 x 244 x 97 15 x 9.61 x 3.82	
WEIGHT, KG. LBS.	4.1 9.0	
SAFETY COMPLIANCE	Intertek – ETL Listed Conforms to ANSI / UL STD 1564 Certified to CAN / CSA STD C22.2 No. 107.2	
EMI COMPLIANCE	FCC Part 15(B), Class A	

**\*Notes:** The charging voltages shown are applicable at battery temperature of 77°F (25°C)

Specifications are subject to change without notice.

## SECTION 12 | Warranty

### 2 YEAR LIMITED WARRANTY

SEC-1280UL / SEC-2440UL manufactured by Samlex America, Inc. (the "Warrantor") is warranted to be free from defects in workmanship and materials under normal use and service. The warranty period is 2 years for the United States and Canada, and is in effect from the date of purchase by the user (the "Purchaser").

- Warranty outside of the United States and Canada is limited to 6 months. For a warranty claim, the Purchaser should contact the place of purchase to obtain a Return Authorization Number.
- The defective part or unit should be returned at the Purchaser's expense to the authorized location. A written statement describing the nature of the defect, the date of purchase, the place of purchase, and the Purchaser's name, address and telephone number should also be included.
- If upon the Warrantor's examination, the defect proves to be the result of defective material or workmanship, the equipment will be repaired or replaced at the Warrantor's option without charge, and returned to the Purchaser at the Warrantor's expense. (Contiguous US and Canada only)
- No refund of the purchase price will be granted to the Purchaser, unless the Warrantor is unable to remedy the defect after having a reasonable number of opportunities to do so. Warranty service shall be performed only by the Warrantor. Any attempt to remedy the defect by anyone other than the Warrantor shall render this warranty void. There shall be no warranty for defects or damages caused by faulty installation or hook-up, abuse or misuse of the equipment including exposure to excessive heat, salt or fresh water spray, or water immersion.
- No other express warranty is hereby given and there are no warranties which extend beyond those described herein. This warranty is expressly in lieu of any other expressed or implied warranties, including any implied warranty of merchantability, fitness for the ordinary purposes for which such goods are used, or fitness for a particular purpose, or any other obligations on the part of the Warrantor or its employees and representatives.

## **SECTION 12 | Warranty**

- There shall be no responsibility or liability whatsoever on the part of the Warrantor or its employees and representatives for injury to any persons, or damage to person or persons, or damage to property, or loss of income or profit, or any other consequential or resulting damage which may be claimed to have been incurred through the use or sale of the equipment, including any possible failure or malfunction of the equipment, or part thereof. The Warrantor assumes no liability for incidental or consequential damages of any kind.

**Samlex America Inc. (the "Warrantor")**  
**[www.samlexamerica.com](http://www.samlexamerica.com)**

## **Contact Information**

### **Toll Free Numbers**

Ph: 1 800 561 5885

Fax: 1 888 814 5210

### **Local Numbers**

Ph: 604 525 3836

Fax: 604 525 5221

### **Website**

[www.samlexamerica.com](http://www.samlexamerica.com)

### **USA Shipping Warehouse**

Kent WA

### **Canadian Shipping Warehouse**

Delta BC

Email purchase orders to  
[orders@samlexamerica.com](mailto:orders@samlexamerica.com)



**samlex**america®





**samlex**power®

**GUIDE  
D'UTILISATION**

Veillez consulter ce  
manuel avant d'utiliser  
votre chargeur de  
batterie

**Chargeur  
de batterie  
automatique**

MODELÉS:  
SEC-1280UL  
SEC-2440UL

# GUIDE D'UTILISATION: Chargeur de Batterie | Indice

<b>SECTION 1:</b>	Précautions importante de sécurité .....	3
<b>SECTION 2:</b>	Description et caractéristiques .....	5
<b>SECTION 3:</b>	Présentation .....	6
<b>SECTION 4:</b>	Principe de fonctionnement .....	7
<b>SECTION 5:</b>	Protections .....	13
<b>SECTION 6:</b>	Installation .....	15
<b>SECTION 7:</b>	Preparer Le Chargeur Pour L'Utilisation .....	17
<b>SECTION 8:</b>	Fonctionnement .....	23
<b>SECTION 9:</b>	Resolution Des Problemes .....	25
<b>SECTION 10:</b>	Calibration Des Fusibles Internes .....	27
<b>SECTION 11:</b>	Spécificités.....	28
<b>SECTION 12:</b>	Garantie .....	30

## Exclusion de responsabilité

SAUF ACCORD ÉCRIT, SAMLEX AMERICA, INC. :

1. N'OFFRE AUCUNE GARANTIE QUANT À L'EXACTITUDE, L'EXHAUSTIVITÉ OU LA PERTINENCE DE TOUTE TECHNIQUE OU D'AUTRES INFORMATIONS FOURNIES DANS SES MANUELS OU D'AUTRES DOCUMENTS.
2. N'ASSUME AUCUNE RESPONSABILITÉ OU RESPONSABILITÉ POUR LES PERTES, DOMMAGES, COÛTS OU DÉPENSES, QU'IL S'AGISSE DE PARTICULIERS, DIRECTS, INDIRECTS, CONSÉCUTIFS OU ACCESSOIRES, QUI POURRAIENT DÉCOULER DE L'UTILISATION DE TELLES INFORMATIONS. L'UTILISATION DE CES RENSEIGNEMENTS SERONT ENTièrement À L'UTILISATEURS RISQUE.

## Avis de droit d'auteur/Mention de réserve du droit d'auteur

Copyright © 2016 par Samlex America, Inc. Tous droits réservés. L'autorisation de copier, distribuer et/ou modifier ce document est interdite sans l'autorisation expresse et écrite de Samlex America, Inc.

# SECTION 1 | Précautions importante de sécurité

Les symboles de sécurité suivant seront utilisés dans ce manuel pour insister sur les informations liées à la sécurité lors de l'installation et de l'utilisation :



## AVERTISSEMENT !

Indique une possibilité de dommages corporels chez l'utilisateur en cas de non conformité.



## ATTENTION !

Indique une possibilité de dommages de l'équipement en cas de non conformité.



## INFO

Indique que de plus amples informations utiles sont disponibles.

**Des situations dangereuses peuvent survenir si le chargeur n'est pas installé ou ne fonctionne pas correctement. Veuillez lire les instructions suivantes afin d'éviter toute blessures et dommages sur le chargeur.**

## INFORMATIONS RELATIVE A LA BATTERIE

- Afin de réduire le risque d'explosion de la batterie, veuillez suivre ces instructions et celles indiquées sur la batterie.
- Ne jamais fumer et éviter toute étincelle ou flamme aux environs de la batterie ou du moteur.
- Chargez uniquement les batteries de type plomb-acide (inondées / AGM / Cellules gelées). Ne pas charger d'autres types de batterie tels que le Nickel Cadmium (Ni-Cd), Nickel-Metal Hydride (Ni-Mh), Piles sèches etc. D'autres types de batteries peuvent exploser et provoquer de graves blessures.
- Ne jamais charger une batterie gelée.
- Travailler aux environs de batteries plomb acide est dangereux. Lorsqu'elles fonctionnent, les batteries génèrent des gazes d'hydrogène et d'oxygène inflammables. Prenez les précautions nécessaires lorsque vous installez le chargeur près d'une batterie ou dans un compartiment de batterie (Suivez les mesures de sécurité données par le fabricant de la batterie).
- Ne jamais positionner le chargeur directement au dessus ou en dessous de la batterie en charge, des gazes et fluides émanant de la batterie peuvent corroder ou endommager le chargeur. Disposez le chargeur le plus loin possible de la batterie, les câbles de CC le permettant. Ne pas le disposez dans le même compartiment que celui de la batterie.
- Faites ATTENTION pour éviter les risques de chutes d'objets métalliques sur la batterie. Cela pourrait provoquer des étincelles ou court circuiter la batterie ou des éléments électriques, et cela peut également provoquer une explosion.
- Retirez tout objets métalliques, tels que les bagues, bracelets et montres lorsque vous utilisez les batteries. Celles-ci peuvent provoquer un courant de court-circuit suffisamment puissant, pour souder une bague ou autres métaux et provoquer ainsi une vive brûlure.
- Si vous devez enlever une batterie, retirez toujours la borne de terre de la batterie en premier. Assurez-vous que tous les accessoires sont éteints, de manière à ne pas provoquer d'étincelles.

# SECTION 1 | Précautions importante de sécurité

## INFORMATIONS RELATIVES AU CHARGEUR

- Les capacités maximales Ah des batteries doivent être limitées, comme suit :
  - SEC-1280UL: 800 Ah
  - SEC-2440UL: 400 Ah
- Ne pas faire fonctionner le chargeur dans un endroit clos ou dans une pièce mal ventilée. Installez-le dans un endroit correctement ventilé, sec et frais.
- Le chargeur ne doit pas être utilisé dans un environnement humide ou mouillé. Lorsqu'il est fixé sur un bateau, assurez-vous qu'il est à l'abri de toutes éclaboussures.
- Ne pas bloquer les bouches de ventilation ou les sorties d'aération du ventilateur. Conservez un espace libre d'au moins 15 centimètres tout autour de l'unité.
- L'installation et le branchement doivent être conformes aux Codes Electriques locaux et nationaux. Il est préférable de faire installer et de brancher l'unité par un électricien professionnel
- Une mauvaise installation sur un bateau peut provoquer la corrosion du bateau. Il est préférable de faire installer l'unité par un électricien bateau.
- Débranchez l'alimentation électrique de CA du chargeur avant de brancher / débrancher les batteries ou les autres charges de CC, ou lorsque vous travaillez sur le chargeur
- Débranchez l'alimentation électrique de CA avant de modifier les réglages des interrupteurs DIP.
- Le châssis du chargeur est connecté à la broche de mise à la terre du cordon d'alimentation de la prise. Assurez-vous que le réceptacle de la broche de mise à la terre de CA alimentant le chargeur, est connecté à la terre.
- Ne pas utiliser d'adaptateur. Si un type de réceptacle de mise à la terre n'est pas disponible, n'utilisez pas ce chargeur avant qu'une unité appropriée ne soit installée par un électricien professionnel.
- Ne pas utiliser le chargeur si le cordon d'alimentation est endommagé.

## SECTION 2 | Description et Caractéristiques

SEC-1280UL (pour les batteries de 12V) et SEC-2440UL (pour les batteries 24V) sont des chargeurs à 3 étapes hautement puissants (aussi appelés I U<sub>o</sub>U), qui délivrent une intensité électrique de 80A et 40A, pendant 75 à 80% du cycle de charge. Cela permet d'assurer une charge rapide, sûre et complète des batteries plomb-acide. La nomenclature " I U<sub>o</sub> U " est une nomenclature DIN et correspondant aux 3 étapes de charge – "I" pour l'étape de charge de masse, "U<sub>o</sub>" pour l'étape de charge d'absorption / surcharge et "U" pour la charge de maintien / d'entretien (sous la spécification DIN, la tension est désignée par "U" et le courant par "I". Le souscrit "o" dans "U<sub>o</sub>" signifie surcharge).

### CARACTÉRISTIQUES

- Technologie à découpage dernier cri pour une efficacité accrue et une utilisation légère et silencieuse.
- Configuration de la tension d'entrée de CA par l'utilisateur - 120 VAC ou 230 VAC, 50 / 60 Hz
- Fonctionnement automatique pour tous les types de batteries plomb-acide – étanche, AGM ou à électrolyte gélifié
- Algorithme de charge automatique pour les phases 2 ou 3, sélectionnable par l'utilisateur avec phase d'adsorption minutée et compensation de la température assurant un rétablissement rapide, sur et total des capacités de batteries autonomes et chargées.
- Possibilité de diminuer le courant de charge maximum à environ la moitié de la capacité évaluée au cours du "Mode demi puissance". Cela permet un chargement sécurisé des batteries à plus faible capacité.
- Comporte une sonde de température pour batterie, permettant une charge à compensation de température, si nécessaire.
- 2 banques de batteries peuvent être chargées simultanément, sans avoir à utiliser un isolateur de batterie externe. Le courant de charge sera réparti entre les deux banques en fonction du niveau de décharge des batteries connectées.
- Voltmètre and Ampèremètre pour contrôler
- Ventilateur – ventilateur se met en route et s'arrête, en fonction du courant de sortie
- Protections contre court circuit, sur courant, branchement inversé de la batterie et surchauffe.
- Peut être utilisé comme source d'alimentation ou comme onduleur de CC (Alimentation Sans Interruption) lorsqu'utilisé avec une batterie.
- Option: commande du panneau DEL, modèle 900-RC, livrée avec 10 mètres de câble. Contrôle à distance et indication du statut de la charge.
- Normes sécurité et répondant aux standards UL-1564
- Normes EMI à FCC - Partie 15(B), Classe A

### CAPACITE MAXIMALE Ah DE LA BATTERIE EN CHARGE

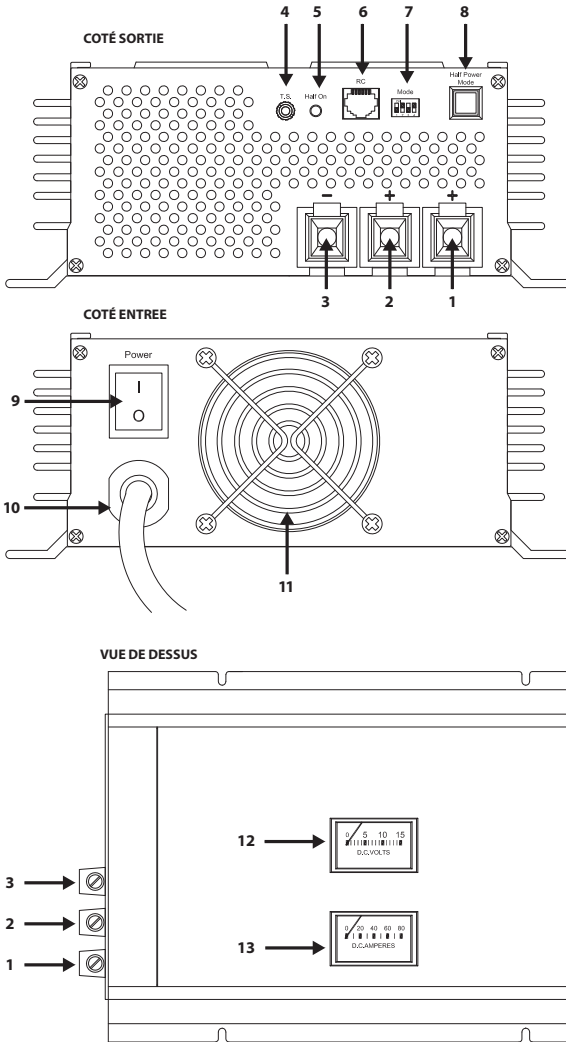
Si les chargeurs sont utilisés pour charger des batteries de très autre puissance, ils devront délivrer un courant de charge maximal plus longtemps que la limite établie. Les composants seront ainsi surchargés et susceptibles de tomber en panne prématurément. Afin d'éviter toute panne prématurée, les capacités Ah des batteries doivent être limitées comme suit :

- SEC-1280UL 800 Ah
- SEC-2440UL 400 Ah

## SECTION 3 | Présentation

### NOTE :

Les modèles SEC-1280UL et SEC-2440UL ont la même disposition et les mêmes dimensions.



### LÉGENDE

1. Connecteur de sortie : +, Bank 1
2. Connecteur de sortie : -, Bank 2
3. Connecteur de sortie : -, Common
4. Câble jack pour capteur thermique
5. DEL verte, Indique que "mode demi puissance" est en MARCHÉ
6. Câble jack pour télécommande facultative LRD modèle de panneau No. 900-RC
7. Interrupteurs DIP pour le mode sélection
8. Appuyez sur l'interrupteur pour le mode demi-puissance :  
Appuyé → Relâché ARRET → MARCHÉ
9. Interrupteur MARCHÉ/ARRET
10. Cordon d'alimentation secteur
11. Grille de protection des bouches du ventilateur
12. Voltmètre
13. Ampèremètre

Fig. 3.1 Présentation des modèles SEC-1280UL et SEC-2440UL

## SECTION 4 | Principe de fonctionnement



### INFORMATIONS

Pour une totale compréhension du fonctionnement des chargeurs de batterie, une compréhension du fonctionnement des batteries plomb-acide est préférable.

Pour plus de détails sur la fabrication, le fonctionnement et l'utilisation des batteries, veuillez consulter les livres blancs ou [www.samlexamerica.com](http://www.samlexamerica.com).

### LE CHARGEUR DE BATTERIE EST UNE SOURCE D'ALIMENTATION AVEC SORTIE DC DE COURANT LIMITEE

La chargeur est une source d'alimentation avec une sortie DC de courant limitée qui convertit 120 / 230 VAC, 50 / 60 Hz en tensions de CC régulées et limite le courant de sortie maximal comme suit :

Modèl No.	Limite de courant	Tension constante lors de la charge de masse "I"	Tension constante lors de la charge d'absorption "U <sub>0</sub> "	Tension constante lors de la charge de maintien "U"
SEC-1280UL	80A	13,5 VDC	14,0 VDC ou 14,4 VDC	13,5 VDC
SEC-2440UL	40A	27VDC	28,0 VDC ou 28,8 VDC	27 VDC

La tension de sortie du chargeur au cours d'une phase de charge est constante jusqu'à ce que la valeur limite de courant ne soit atteinte. Lorsque la batterie ou la charge de CC tente de puiser du courant supérieur à la valeur de limite de courant, le chargeur limite le courant à la valeur de limite de courant. La tension de sortie du chargeur chute et devient inconstante. Lorsque le chargeur est connecte a la batterie est en mode limite de courant, la tension terminale du chargeur sera verrouillée a la tension terminale intrinsèque actuelle de la batterie (en considérant que le chargeur soit très proche de la batterie et qu'il n'y ait pas de chute de tension au sein des câbles connectant le chargeur aux batteries).

### IMPEDANCE DE LA BATTERIE ET COURANT DE CHARGE

L'impédance interne d'une batterie saine est très basse, elle se mesure en dizaines de milli Ohms (l'impédance est plus élevée lorsque la batterie est déchargée, en raison du dépôt de sulfate de plomb. L'impédance diminue lorsque la batterie est pleinement chargée, car le sulfate de plomb est entièrement transforme en plomb et dioxyde de plomb). L'impédance moyenne peut être évaluée à 20 milli Ohm ou 0,02 Ohm.

Lorsque le courant délivre une tension courante (et qu'il n'est pas en limite de courant), le courant de charge absorbé par la batterie peut être calculé comme suit :

**Courant de charge = Tension du chargeur – tension intrinsèque de la batterie ÷ résistance interne (0,02 Ohm)**

## SECTION 4 | Principe de fonctionnement

Par exemple, lorsque SEC-1280UL est en phase de charge de masse 1, sa tension de sortie est réglée à 13,5 VDC. Lorsqu'une batterie complètement déchargée est chargée à 10,5V, cela puisera un courant très important =  $(13,5V - 10,5V) \div \text{Resistance interne } (0,02 \Omega) = 150A$ . SEC-1280UL, limitera, cependant, son courant à 80A.

### ETAPES DE CHARGE

La batterie se charge en 3 phases :

- PHASE 1 – CHARGE DE MASSE ("I" Phase),
- PHASE 2 – CHARGE D'ABSORPTION (Phase "U<sub>0</sub>") et
- PHASE 3 - CHARGE DE FLOTTEMENT (Phase "U")

Les 3 phases de charge et les courbes de charge associées pour le modèle SEC-1280UL sont présentées sur les schémas 4,1 et 4,2 pour le modèle SEC-2440UL.

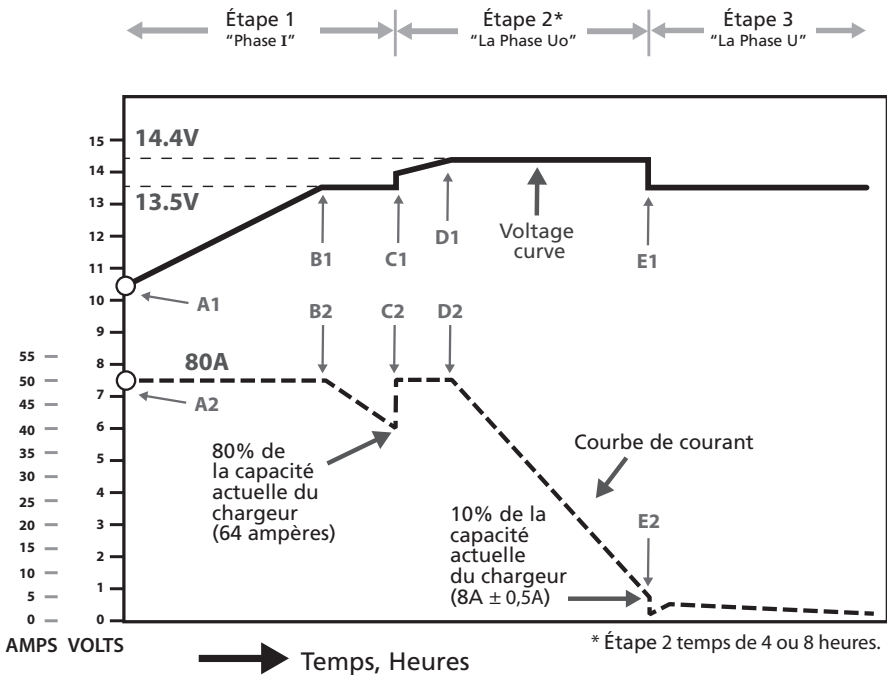


Schéma. 4,1 Courbe de charge pour SEC-1280UL



## SECTION 4 | Principe de fonctionnement

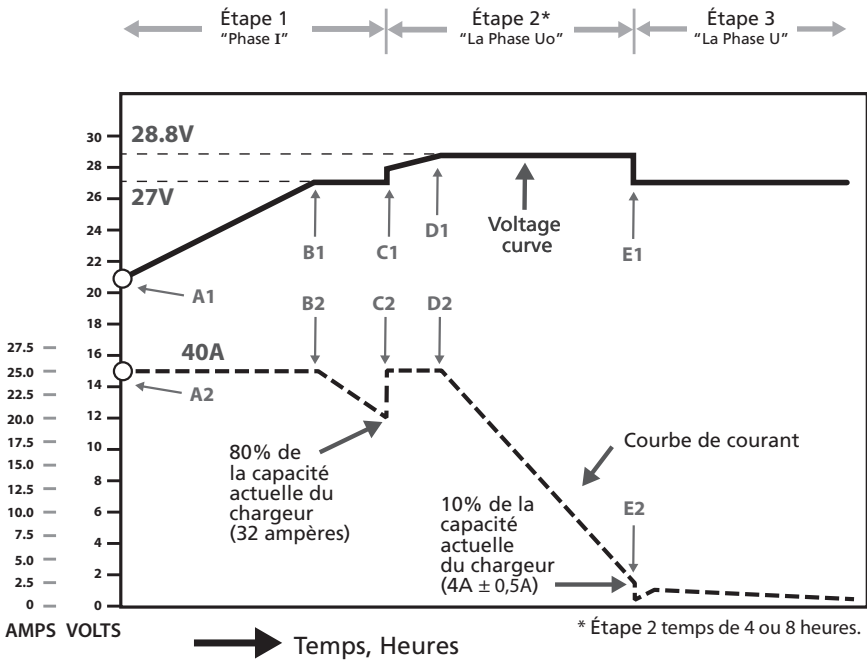


Schéma. 4,2 Courbe de charge pour SEC-2440UL



### INFORMATIONS

Veillez noter que les informations suivantes relatives aux courbes de charge sont présentées sur les schémas 4,1 et 4,2 ci-dessus :

**1.1 Lecture de tension terminale en et hors charge :** Les bornes de sortie du chargeur sont composées d'une borne négative commune (3) et de deux bornes positives rouges (1, 2) pour charger deux banques de batteries. Chacune des deux bornes positives des deux banques possède des diodes Schottky en série pour permettre l'isolation. Ces diodes isolantes disposent d'un courant qui dépend de la chute de tension directe  $V_f$  allant de 0,2 à 0,3V (à 0,1A) jusqu'à 0,6 V (à 80A). De plus, il y aura une chute de tension directe supplémentaire  $V_b$  à travers la résistance de masse de la diode et cette chute augmentera également le courant de charge. **Veillez noter que les chutes de tension directe  $V_f$  et  $V_b$  ont uniquement lieu lorsque le courant circule à travers la diode.**

**1.2** Les tensions de maintien et d'absorption sont fermement régulées avant que les diodes ne soient isolées. Cependant, les tensions disponibles aux bornes des deux banques peuvent varier avec la valeur du courant de charge, en raison du courant dépendant de la chute de tension  $V_f$  et de la chute de la résistance de masse  $V_b$ .

La tension de maintien avant que les diodes ne le soient, est par conséquent, réglée entre 0,2 à 0,3V supplémentaires, afin de compenser les chutes de tension directe au cours de la phase de maintien, lorsque le courant de charge aura chuté en dessous de 1A. Ainsi, la tension de sortie aux bornes des deux banques déchargées (sans que rien ne soit branché aux bornes des

## SECTION 4 | Principe de fonctionnement

banques) sera de 0,2 à 0,3V supérieur, car il n'y a aucune chute de tension directe, puisque que le courant ne circule pas à travers les diodes. Les tensions sont spécifiées respectivement au courant de charge / nominal comme suit :

Phase d'absorption ("U <sub>o</sub> " Phase) de 14,4 / 14V pour SEC-1280UL	At 8A +/- 0.5A
Phase d'absorption ("U <sub>o</sub> " Phase) de 28,8 / 28V pour SEC-2440UL	At 4A +/- 0.5A
Phase de maintien ("U" Phase) de 13,5V pour SEC-1280UL	At 0,1A
Phase de maintien ("U" Phase) de 13,5V pour SEC-2440UL	At 0,1A

1.3 Veuillez également noter que la tension de sortie aux deux banques peut varier entre 0,2 et 0,6V. Les valeurs du courant de charge délivré à travers chaque banque étant différentes, les valeurs de chute de tension directe Vf et Vb le seront également.

2.1 **Conditions de température standard** : les tensions de charge affichées concernent la température de la batterie à électrolyte de 77°F (25°C)

3.1 **Chargeur / Tension de la batterie / Valeurs du courant** : Lorsque la batterie est branchée au chargeur et que le chargeur est en MARCHÉ, la tension au chargeur commun / bornes de la batterie est la tension actuelle qui se trouve aux bornes de la batterie correspondant à son étape de charge UNIQUEMENT lorsque le chargeur est en « mode limite de courant » et qu'il fournit une intensité de 80A pour le modèle SEC-1280UL et 40A pour le modèle SEC-2440UL. Lorsque le chargeur n'est PAS en « limite de courant » et qu'il fournit une intensité inférieure à 80A pour le modèle SEC-1280UL ou à 40A pour le modèle SEC-2440A, la tension terminale sera régulée et sera à peu près égale à la tension de masse / maintien de 13,5V pour le modèle SEC-1280UL (27V pour SEC-2440UL) ou à peu près égale à la tension d'absorption de 14,4 / 14V pour le modèle SEC-1280UL (28,8V / 28V pour SEC-2440UL). Selon ces conditions, la tension terminale de la batterie sera également de 13,5 (27V) ou de 14,4 / 14V (28,8V / 28V) même si la tension terminale intrinsèque de la batterie correspondant à son état de charge est plus basse.

3.2 La courbe de tension aux bornes de sortie du chargeur, qui sera semblable à la tension aux bornes de la batterie (en considérant qu'il n'y ait pas de chute de tension auprès des câbles connectant le chargeur aux batteries)

3.3. La courbe de courant représente le courant aspire par la batterie.

### PHASE 1- CHARGE DE MASSE (PHASE "I")

Au cours de cette phase SEC-1280UL délivre une tension de sortie de 13,5 VDC et SEC-2440A une tension de sortie de 27V. L'explication suivante concerne le modèle SEC-1280UL. L'explication pour le modèle SEC-2440UL sera la même, mais les valeurs de tension seront 2 fois plus importantes et les valeurs de courant seront réduites de moitié, par rapport au modèle SEC-1280UL.

**NOTE : A des fins explicatives, il est admis que la batterie est complètement déchargée à environ 10,5 / 21V, lorsque la charge est initiée.**

Lorsque le chargeur est en marche, la batterie tentera de puiser un courant très important =  $(13,5V - 10,5V) \div \text{résistance interne } (0.02 \Omega) = 150A$  qui sera bien supérieur à la valeur limite de courant de 80A. Le chargeur entrera en mode de limite de courant (point A2), sa tension interne tentera de chuter mais sera verrouillée à une tension terminale de la batterie, c.a.d 10.5V (point A1). La batterie commence à charger à un courant constant de 80A (Section A2-

## SECTION 4 | Principe de fonctionnement

B2) est sa tension intrinsèque avoisine 13,5V, le courant tiré par la batterie diminuera à moins de 80A. À ce point (B2), le chargeur quittera la limite de courant et délivrera une tension de sortie de 13,5V (point B1). Lorsque la batterie charge bien en dessous de sa tension constante de 13,5V (Section B1 – C1), sa tension intrinsèque augmente de plus belle et son courant commence à diminuer (Section B2 – C2). Le courant diminue car la tension intrinsèque de la batterie augmente et que la tension différentielle de 13,5V du chargeur et la tension intrinsèque de la batterie diminuent. Par conséquent, moins de courant circule à travers la batterie. Lorsque la batterie continue sa charge sous une tension constante de 13,5V (Section B1 – C1), sa tension intrinsèque augmente et son courant commence à chuter (Section B2 – C2). Le courant chute car la tension intrinsèque de la batterie augmente et la tension différentielle de 13,5V du chargeur et la tension intrinsèque de la batterie diminuent. Par conséquent, une quantité moindre de courant est délivrée dans la batterie. La charge dégressive s'applique lors de cette transition pour réduire les effets de charge à la surface et assurer que la charge soit lentement diffusée dans les plaques internes épaisses. Cette charge dégressive évite aussi la surcharge. Lorsque le courant de charge diminue en dessous de 80% de la capacité évaluée du chargeur (40A pour SEC-1280UL et 32A pour SEC-2440UL) au point "B2", le chargeur passe en phase 2, qui est la phase d'absorption ("U<sub>0</sub>" Phase).

**Caractéristiques de charge au cours de cette phase sont les suivantes :**

- La tension de la batterie augmente légèrement et surtout de manière linéaire (elle commencera à augmenter de manière significative au début de la phase d'absorption (phase 2).
- L'intégralité du courant de charge est utilisée pour convertir le sulfate de plomb en plomb poreux aux plaques négatives et en dioxyde de plomb aux plaques positives.
- Il n'y a aucun dégagement gazeux et l'efficacité de la charge est élevée, elle avoisine les 91%.
- Le rétablissement des capacités à ce stade est inversement proportionnelle au taux de charge (en raison de l'effet Peukert). Cela signifie que lorsque le taux de charge augmente, les capacités rétablies diminuent. Cette phase rétablit 60% des capacités à un taux de charge de C/5, 70% à 75% des capacités à un taux de charge de C/10 et 85% à 90% des capacités à un taux de charge de C/20.
- DEL rouge indiquant la "Phase 1" s'allumera sur la télécommande optionnelle Modèle Model 900-RC

### PHASE 2 – PHASE D'ABSORPTION (PHASE "U<sub>0</sub>")

Au cours de cette phase, le chargeur délivre une tension de sortie constante d'une valeur de 14V / 14,4V pour SEC-1280UL et 28V / 28,8V pour SEC-2440UL. Lorsque la charge se met en route, la tension de la batterie augmente de façon assez marquée, car le dégagement gazeux est en train de se produire. Ce dégagement gazeux et l'augmentation rapide de la tension de la batterie continue de restaurer l'équilibre de la capacité jusqu'à ce que la charge soit totale.

Le chargeur passe à la phase d'absorption ("U<sub>0</sub>" Phase) au point "C".

Dès que le chargeur transite vers cette phase, une minuterie de 4 Heures / 8 Heures réglable par l'utilisateur, est mise en marche à l'aide des interrupteurs DIP (7) (Voir section 7 sous « Sélectionner une durée pour la phase 2- Phase d'absorption »). Cette minuterie décide de la durée maximum de cette phase et de la transition à une tension constante finale de la phase de maintien 3 au point "E". La durée de cette phase est également déterminée lorsque la transition vers la prochaine phase de maintien au point "E" se produit et que le courant de charge diminue de 10% ou que la capacité évaluée est de 8A +/- 0,5A pour SEC-1280UL et 4A +/- 0,5A pour SEC-1240UL. La condition, qui survient plus tôt, contrôle la transition.

## SECTION 4 | Principe de fonctionnement

Lors de la transition au point "C", le chargeur délivrera une tension de sortie constante, supérieure à la tension de dégagement gazeux, pour permettre que la batterie soit chargée entièrement et qu'elle retrouve toutes ses capacités, sans connaître la surcharge. La valeur de cette tension dépend du type de batterie ou de la phase de charge sélectionnés (le type de batterie et les phases de charge sont sélectionnables à l'aide des interrupteurs DIP (7) – Consultez la section « Sélectionner le type de batterie et les phases de chargement ».

- 14,4V (SEC-1280UL) ou 28,8V (SEC-2440UL) lorsqu'une batterie étanche / AGM est sélectionnée
- 14V (SEC-1280UL) ou 28V (SEC-2440UL) lorsqu'une batterie gel est sélectionnée.
- 13,5V (SEC-1280UL) ou 27V (SEC-2440UL) lorsqu'une batterie chargée est sélectionnée.

Cependant, cette tension constante ne se perçoit pas immédiatement car le chargeur entre en limite de courant dès qu'il entre en point (C2). Lorsque la tension du chargeur diminue, la batterie tente de puiser plus de courant. Cette valeur sera égale à la différence entre cette tension supérieure et à la tension intrinsèque actuelle de la batterie, divisée par la résistance interne de la batterie (0,02 Ohm). La valeur de ce courant au point de transition (C2) sera supérieure à la valeur de courant limite, obligeant le chargeur à entrer, une nouvelle fois, en mode de courant limite. Lorsque le chargeur est en mode de courant limite, il ne régule pas sa tension de sortie. La tension aux bornes du chargeur est la tension interne actuelle de la batterie au point (C1). Une fois encore, la batterie commence à charger plus que la valeur maximum de courant constant évaluée à 80A pour SEC-1280UL et à 40A pour SEC-2440UL (C2 à D2). La tension de la batterie commence également à augmenter (C1 à D1).

Au point (D2), le courant de charges diminue en dessous de la valeur de limite de courant de 80A pour SEC-1280UL et de 40A pour SEC-2440UL. Le chargeur quitte désormais le mode de limite de courant et entre dans le mode de tension constante de 14V / 14,4V pour SEC-1280UL et de 28V / 28,8V pour SEC-2440UL (point D1). (Veuillez noter que la tension de 14V / 14,4V ou 28V / 28,8V du chargeur et des bornes de la batterie correspond la tension d'absorption émise par le chargeur. La tension intrinsèque de la batterie reste inférieure à cette tension, car la batterie n'est pas encore entièrement chargée lors de cette transition). Lorsque la tension intrinsèque de la batterie augmente encore, le courant de charge commence à chuter (section D2 à E2). La charge dégressive s'applique lors de cette transition pour réduire les effets de charge à la surface et assurer que la charge soit lentement diffusée dans les plaques internes épaisses. Cette charge dégressive évite aussi la surcharge.

Lorsque le minuteur de 4 Heures / 8 Heures arrive à expiration ou lorsque le courant de charge diminue à 10% de la capacité évaluée du chargeur (8A +/- 0.5A pour SEC-1280UL et 4A +/- 0.5A pour SEC-2440UL) au point "E2" (celui qui arrive en premier), le chargeur passe en phase 3 – tension constante, phase de maintien ou d'entretien (phase "U").

**NOTE:** Le seuil de courant pour la transition entre la tension constante de surcharge, la tension des phases d'absorption / d'amplification (phase "U<sub>o</sub>") & la charge de maintien / entretien ("U" Phase) sont différentes :

	SEC-1280UL	SEC-2440UL
• De la phase "U <sub>o</sub> " à la phase "U"	8A +/- 0.5A	4A +/- 0.5A
• De la phase "U" à la phase "U <sub>o</sub> "	15A +/- 1A	8A +/- 1A

**Caractéristiques de charge au cours de cette phase sont les suivantes :**

La phase d'absorption ("U<sub>o</sub>" Phase) alimente 35 à 55% de la capacité additionnelle qui s'ajoute à une capacité totale chargée d'environ 115% pour compenser 15% de la perte d'efficacité de la charge.

- DEL orange sur la télécommande optionnelle 900-RC s'allumera au cours de la phase "U<sub>o</sub>"

## SECTION 4 | Principe de fonctionnement

### PHASE 3 – TENSION CONSTANTE, PHASE DE CHARGE DE MAINTIEN OU D'ENTRETIEN (U PHASE)

Au cours de ce mode, le chargeur délivre une tension constante  $U = U = 13,5V$  (SEC-1280UL) ou de  $27V$  (SEC- 2440UL). Cela permet de maintenir la capacité totale de la batterie et procure également une charge de remplacement pour pallier à l'auto décharge de la batterie. La batterie peut demeurer connectée dans cette phase indéfiniment sans aucuns risques de décharge.

Caractéristiques de charge au cours de cette phase sont les suivantes :

- DEL verte sur la télécommande optionnelle 900-RC s'allumera au cours de la phase de maintien (Phase "U")



#### ATTENTION !

La charge en 3 phases est recommandé pour charger les batteries autonomes et déchargées (aucune charge n'est connectée à la batterie lorsqu'elle est en cours de charge). Si une charge est également connectée simultanément, une partie du courant de sortie du chargeur sera détourné vers cette charge. Ainsi, le chargeur peut rester verrouillé en phase 2, si le courant tiré par la charge est supérieur à la valeur présélectionnée du seuil de courant. Cela détermine le passage de la phase 2 à la phase 3 et provoquera une surcharge ou une perte d'électrolyte.

Pour changer une batterie lorsque la charge est également connectée simultanément. La tension de phase 2 devra être la même que celle de la phase 3. Sélectionnez « Batterie chargée » à l'aide des interrupteurs DIP « Mode » (7) – lire la section 7 sous « Réglage du Commutateur DIP à la page 21 ».

## SECTION 5 | Protections

Le chargeur est équipé des protections suivantes :

### ARRÊT EN CAS DE COURT CIRCUIT

En cas de court-circuit du côté de la sortie, la sortie du chargeur doit être éteinte. Un autre symptôme caractéristique du court circuit est que le ventilateur sera ALLUME jusqu'à ce que l'unité soit réinitialisée ou ETEINTE sur la télécommande optionnelle 900-RC, LED verte affiché "Power" (puissance) et LES rouge "I Phase" (Phase 1) sera allumé. Le chargeur sera verrouillé dans cette position éteinte en NE redémarrera PAS automatiquement même après que le court-circuit n'a été réparé. Pour le redémarrer, l'interrupteur d'alimentation secteur de CA MARCHE / ARRÊT au dos de l'unité, doit être ETEINT puis RALLUME.

### LIMITATION DE COURANT DE SURCHARGE

Le courant tiré par la charge est automatiquement limité à un maximum de 80A pour SEC-1280UL (40A +/- 1A en "Mode demi puissance") et de 40A pour SEC-2440UL (20A +/- 1A lorsqu'en "Mode demi puissance"). Si la charge tente de puiser un courant supérieur à ces limites, la tension de sortie de l'unité commencera à chuter. L'unité redémarrera automatiquement, lorsque la condition de surcharge aura disparue.

## SECTION 5 | Protections

### CONNEXION BATTERIE REVERSE – LES FUSIBLES SUR LES CÔTÉS CC SAUTERONT

L'alimentation de sortie est équipée de fusibles internes sur le cote de CC – 3 fusibles de 30A pour SEC-1280UL et 3 fusibles de 15A pour SEC-2440UL. Au cas où la polarité de la batterie serait inversée, le(s) fusible(s) exploserait (aient). Un autre symptôme caractéristique de l'explosion de fusible du côté du CC est que le ventilateur se mettra en MARCHÉ, jusqu'à ce que l'unité soit ÉTEINTE. Un autre résultat du court circuit est que le ventilateur sera "ON" (allumé) jusqu'à ce que l'unité soit réinitialisée ou "OFF" (éteint).

### REFROIDISSEMENT

Le chargeur est refroidi par convection et possède, de plus, un ventilateur à air pulsé. Le fonctionnement du ventilateur est contrôlé par le courant fourni par le chargeur et sera automatiquement ALLUME et ÉTEINT, comme suit :

	SEC-1280UL	SEC-2440UL
Courant ALLUME	15A +/- 1A	8A +/- 1A
Courant ÉTEINT	8A +/- 0.5A	4A +/- 0.5A

**NOTE :** Une fois que le ventilateur s'allume à un seuil de courant spécifique, il s'éteindra a un moindre seuil. Par exemple, le ventilateur de SEC-1280UL s'ALLUME à 15A, mais s'éteint à 8A. Cela permet d'éviter que le ventilateur oscille entre la position ALLUMÉE et ÉTEINTE, en raison des fluctuations minimales qui surviennent dans le courant de charge.

### ARRÊT SUITE A UNE SURCHAUFFE



#### ATTENTION !

Conservez le chargeur dans un lieu correctement ventilé, sec et frais. Ne pas bloquer les sorties d'aération sur les cotes ou les ouvertures de décharge du ventilateur. Conservez au moins un espace libre de 15 cm de l'unité.

Si le ventilateur tombe en panne ou si le refroidissement n'est pas adapté d'une circulation de l'air inadéquate ou d'une obstruction des bouches d'aération, la température à l'intérieur de l'unité augmentera. Un capteur thermique est monté sur les bobines du transformateur. A 105°C +/- 5°C, le capteur thermique activera et diminuera la tension de sortie du chargeur. Le ventilateur sera "ON" (allumé). Un autre résultat du court circuit est que le ventilateur sera "ON" (allumé) jusqu'à ce que l'unité soit réinitialisée ou "OFF" (éteint). Le chargeur reste en position éteinte et NE redémarrera PAS automatiquement après que l'unité a refroidi. Pour le redémarrer, l'interrupteur d'alimentation secteur de CA MARCHÉ / ARRÊT au dos de l'unité, doit être ÉTEINT puis RALLUME.

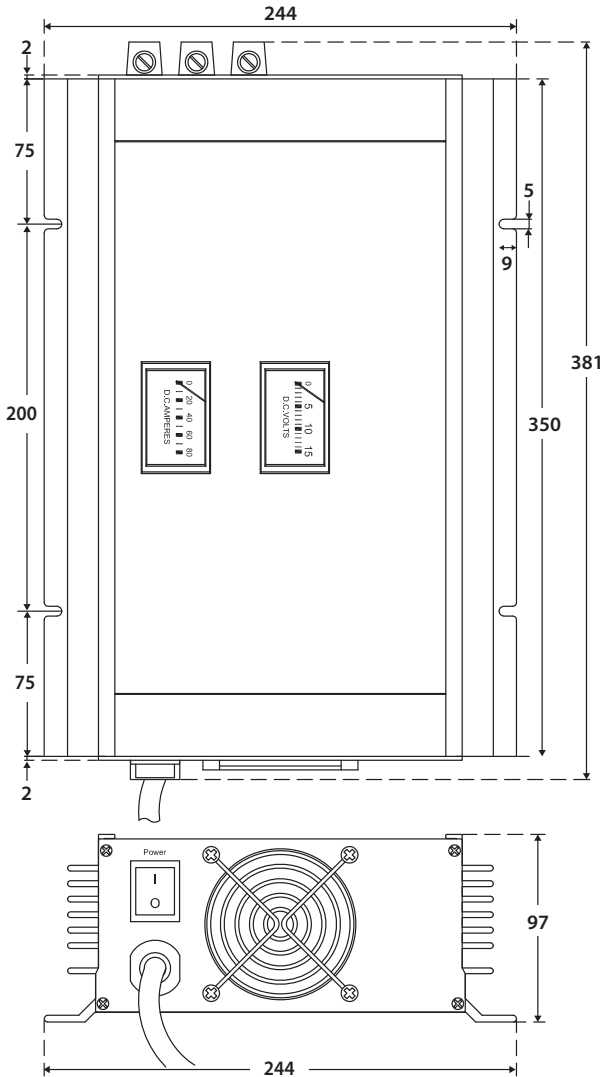
### PROTECTION CONTRE LES TENSIONS TRANSITOIRES / SURTENSIONS DANS L'ALIMENTATION SECTEUR CA

Très souvent, la ligne d'entrée de CA n'est pas claire et peut contenir des tensions transitoires / surtensions de haute tension. Pour éviter que les composants internes ne soient endommagés par ces hautes tensions indésirables, le chargeur utilise un MOV (à varistors à oxyde métallique) pour se protéger. Si des surtensions / tensions transitoires supérieures à une tension de 170 VAC en mode 120V et de 340 VAC en mode 230 VAC apparaissent dans l'alimentation de CA, le MOV fera exploser le fusible latéral de CA.

# SECTION 6 | Installation

## DIMENSIONS D'INSTALLATION

Les dimensions d'installation sont données ci-dessous. Les dimensions sont les mêmes pour SEC-1280UL and SEC-2440UL



## SECTION 6 | Installation

### EMPLACEMENT, MONTAGE ET SÉCURITÉ

Le chargeur doit être installé dans un lieu correctement ventilé, sec et frais. Veuillez consulter la section « Précautions importantes de sécurité ». Le chargeur peut être monté de manière horizontale ou verticale. Lorsqu'il est monté verticalement sur un mur ou une cloison, veuillez vous assurer que l'axe de l'hélice du ventilateur est horizontal, c.a.d que l'ouverture du ventilateur est disposée vers la droite ou vers la gauche, mais NI vers le bas, NI vers le haut.



#### AVERTISSEMENT !

Fixez l'unité verticalement sur une surface verticale avec les sorties du ventilateur en haut ou en bas n'est PAS autorisé. Cela est dangereux et permet d'éviter la chute d'objets dans l'unité à travers la grille du ventilateur, lorsque l'ouverture du ventilateur est orientée vers le haut. Si l'ouverture du ventilateur est orientée vers le bas, certains des composants endommagés encore chauds, peuvent tomber.

### CONNECTEURS DE SORTIE

Les connecteurs aux bornes tubulaires ou à couronnes vissées sont utilisés pour les branchements de sortie. Le diamètre du trou tubulaire du connecteur est de 8 mm (0.31 pouces). Deux connecteurs de sortie positifs (1, 2) sont fournis pour être raccordés aux bornes positives des 2 banques de batteries. Un connecteur commun (3) est fourni pour le raccord à la borne négative. La taille fixe de vis est M8.

### COSSES DE BORNE POUR LA CONNEXION AU CHARGEUR

Pour un bon branchement lorsque vous utilisez des câbles torsadés, pincez / soudez des cosSES de borne en « tête » d'épingle sur la terminaison des câbles de CA du chargeur pour connecter la batterie / d'autres charges de CC.

3 pièces de cosSES de borne de type « tête d'épingle » sont fournies :

- Pour SEC-1280UL marchera avec des câbles AWG #2 / 35 mm<sup>2</sup> wire
- Pour SEC-2440UL marchera avec des câbles AWG #4 / 25 mm<sup>2</sup> wire

### CABLES

Afin d'éviter toute erreurs de polarité et de dégâts éventuels, ne jamais utiliser de câbles d'une seule couleur. Utilisez des câbles isolés rouges pour les connexions positives et des câbles isolés noirs pour les connexions négatives. Les diamètres de câbles recommandés sont indiqués ci-dessous (en fonction d'une chute de tension de 2%). La longueur en cm, concerne la longueur d'une paire de câbles positif et négatif de CC depuis le chargeur de la batterie / d'autres charges de CC.

Distance depuis la batterie	SEC-1280UL	SEC-2440UL
Jusqu' à 15 cm	AWG #2	AWG #8
15 à 25 cm	AWG #1/0	AWG #6
25 à 50 cm	AWG #3/0	AWG #4

### TERMINAISON DES CABLES

Pour un branchement solide, lorsque vous utilisez des câbles standards, la terminaison des câbles doit se terminer avec les cosSES en tête d'épingle fournies.



## SECTION 7 | Préparer Le Chargeur Pour L'Utilisation

### SELECTIONNER UNE TENSION D'ENTREE DE CA

Le chargeur est pré-réglé pour fonctionner avec une tension de l'entrée de CA de 120 VAC, 60 Hz. Pour utiliser le chargeur avec une tension d'entrée de CA de 230 VAC, 50 Hz, changez les réglages internes comme suit :

1. Retirez la plaque latérale qui contient l'entrée du cordon d'alimentation, en dévissant les 4 vis.
2. Retirez le voltmètre et l'ampèremètre sur la plaque centrale en faisant levier avec les bords des mètres avec un tournevis plat et en poussant les mètres vers le haut, depuis le bas de la plaque (ceux-ci sont clipsés). Retirez les câbles de connexion et marquez-les. Notez la polarité pour les rebrancher correctement par la suite. Les bornes des mètres sont marquées Positive (+) et Négative (-). Les câbles de l'ampèremètre sont plus épais que ceux du voltmètre, qui eux, sont plus fins.
3. Faites doucement glisser la plaque de couverture centrale. Notez et marquez son orientation pour la replacer correctement par la suite.
4. Localisez la boucle jaune du fil de raccordement avec le câble femelle. Dans les réglages de 120 VAC, ce fil de raccordement court-circuite les broches mâles verticales marquées "C" et "D" et "115V". Tirez sur l'une des extrémités de ces câbles femelles pour débrancher le court circuit entre "C" et "D". Isolez cette extrémité avec du scotch isolant. L'unité est désormais prête à fonctionner sous du "230 VAC".
5. La version 120 VAC dispose d'un fusible de 20A soude sur son coté de CA. Lorsqu'une unité de 120 VAC est convertie en 230 VAC, il n'y a pas besoin de remplacer le fusible de 20A.
6. Remplacez la prise de CA du cordon d'alimentation avec une prise à 3 broches adaptée au fonctionnement de l'unité sous 230 VAC.



#### ATTENTION !

La nouvelle prise doit comporter 3 pôles, c.a.d. Ligne (L), Neutre (N) et Mise à la terre. Le code couleur pour les conducteurs du cordon d'alimentation est :

- Ligne (L) - Noir
- Neutre (N) - Blanc
- Mise à la terre - Vert

### BRANCHEMENT DES BATTERIES OU AUTRES CHARGES DE CC

Comme montre sur les schémas 7,1 et 7,1 ci-dessus, la sortie du chargeur possède une borne négative commune et 2 bornes positives, pour pouvoir brancher 2 banques de batteries. Chaque borne positive possède une diode interne isolante, qui fonctionne comme isolant de batterie. Si plus d'une banque de batteries est branchée, elles seront chargées en même temps que l'alimentation de CA disponible au chargeur (le courant de charge maximum de 80A pour SEC-1280UL et de 40A pour SEC-2440UL sera reparti parmi les banques branchées aux batteries, en fonction de l'état de leur décharge). Au cas où l'alimentation de CA tombait en panne ou s'il n'y avait aucune sortie depuis le chargeur, les diodes isolantes éviteront la charge / la décharge des batteries connectées aux banques.

Dans une seule banque de batterie, deux ou plusieurs batteries peuvent être branchées en parallèle, afin d'augmenter leurs capacités AH. Elles seront déchargées et chargées comme une banque de batterie unique. Dans ce cas, la banque des batteries multiples branchée en parallèle doit être considérée comme une banque unique et doit être branchée à l'une des 2 banques du chargeur, tel que montré sur le schéma 7.2 pour une banque de 4 batteries. Pour une charge correcte de toutes les batteries, assurez-vous que le câble positif "A" du chargeur soit branché à la borne positive de la première batterie (Batterie 1) et que le câble négatif "B" soit branché à la borne négative de la dernière batterie (batterie 4). Cela permettra que :

## SECTION 7 | Préparer Le Chargeur Pour L'Utilisation

- La résistance des câbles d'interconnexion soit équilibrée et que les batteries individuelles connaissent la même résistance en série.
- Toutes les batteries individuelles soient chargées au même courant de charge et soient ainsi chargées au même niveau de charge.
- Aucune des batteries ne connaisse d'état de surcharge.

Lorsque vous branchez une batterie unique à une autre charge unique de CC, elle puisse être connectée à une borne négative commune ou à l'une des 2 bornes positives, tel que montré sur le schéma 7,1.

### CHARGER PLUS D'UNE BANQUE DE BATTERIES



#### ATTENTION !

Lorsque vous chargez plus d'une banque de batterie à la fois en utilisant la charge en 3 étapes, assurez-vous que l'état de décharge des batteries des banques est équivalent. Si une banque est complètement déchargée et que l'autre est quasiment pleine, la banque pleinement chargée sera sujette à une surcharge, pendant que le chargeur demeure en phase 2 ("U<sub>o</sub>" Phase) pour charger la banque complètement déchargée.

Si 2 banques de batteries doivent être chargées et qu'elles sont à des états de décharge différents, sélectionner "Batterie chargée" (chargement en 2 phases) grâce aux interrupteurs S1 et S2, parmi les 4 interrupteurs DIP (S1 & S2 sont désactivés). Consultez la section "Réglage du Commutateur DIP à la page 21".

### SELECTIONNER LE TYPE DE BATTERIE ET LES PHASES DE CHARGE

La tension de la phase de maintien 3 (phase "U") et celle de la phase d'adsorption 2 (phase "U<sub>o</sub>") sont différentes pour les divers types de batteries plomb-acide.

Le chargement en 3 phases (phase 1, 2 et 3) est recommandé lorsqu'une batterie est chargée de manière autonome, et qu'elle est déchargée (la batterie n'a aucune charge connectée lorsqu'elle est en cours de charge).

Lorsque le chargeur est utilisé pour charger la batterie et pour à la fois fournir une charge externe, le niveau de tension de la phase 2 doit être réglé au même niveau que la tension de la phase 3, afin d'éviter toute surcharge. Si cela est efficace, la batterie sera chargée en 2 phases uniquement, en phase 1 et 3. Cela s'applique également lorsque deux banques de batterie sont chargées simultanément et que les batteries des deux banques sont à un stade de décharge différent. Deux interrupteurs S1 & S2 parmi les 4 interrupteurs DIP ont été fournis afin de pouvoir sélectionner le type de batterie et pour modifier la phase d'adsorption 2, lorsque des batteries chargées / deux banques de batterie aux états de charge différents sont en train d'être chargées. Les sélections suivantes peuvent être effectuées à l'aide des interrupteurs DIP S1 et S2 :

## SECTION 7 | Préparer Le Chargeur Pour L'Utilisation

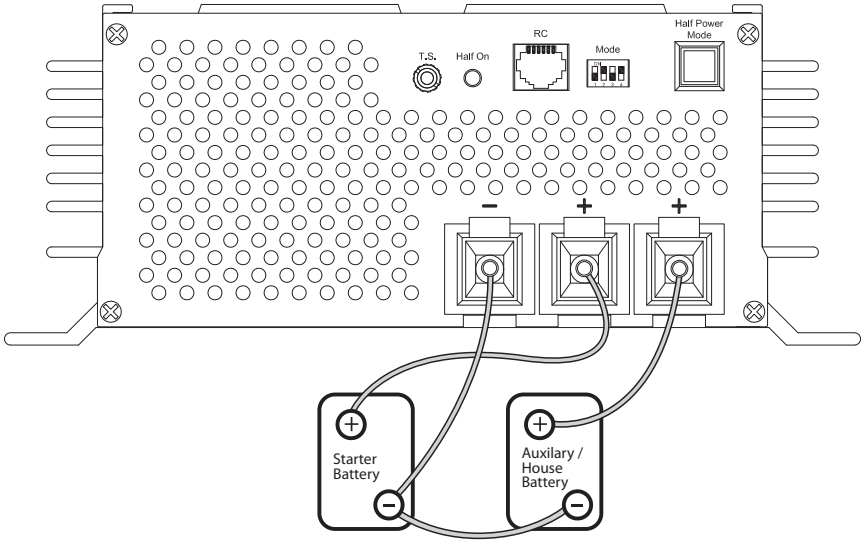


Schéma 7,1 Brancher 2 systèmes de batteries distinctes à 2 banques distinctes

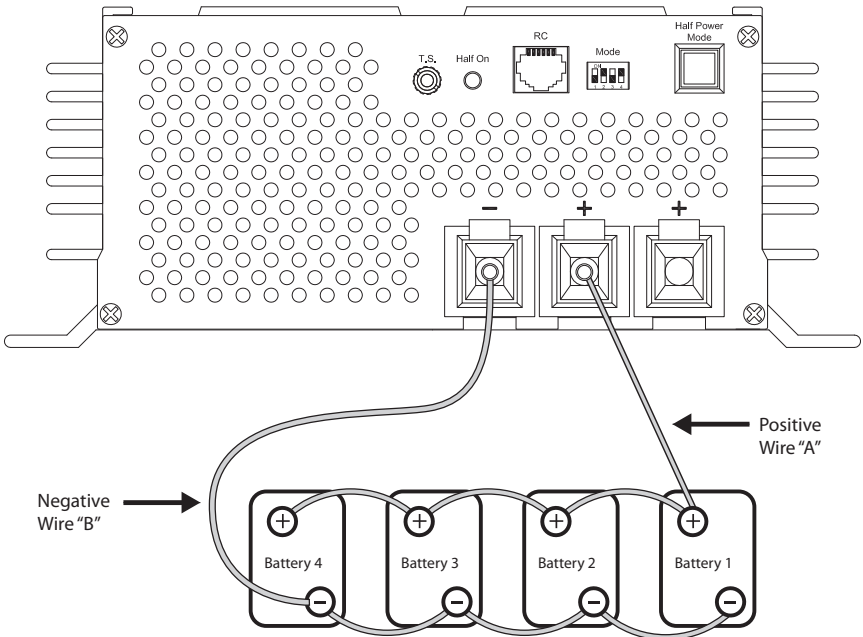


Schéma 7,2 Brancher une banque de batteries parallèles à une banque unique

## SECTION 7 | Préparer Le Chargeur Pour L'Utilisation



### ATTENTION !

Ne modifiez pas les réglages de l'interrupteur DIP lorsque le chargeur est en marche. Toujours modifier les réglages de l'interrupteur DIP lorsque le chargeur est ETEINT, c.a.d. après avoir débranché le chargeur de l'alimentation secteur de CA).

**NOTE:** Les tensions sont valables pour une température de batterie de 77°F / 25°C.

### REGLAGE DE L'INTERRUPTEUR DIP - SEC-1280UL

S1	S2	Maintien	Amplification	Type de batterie	Phases de charge
ARRET*	MARCHE*	13,5V*	14.4V*	Etanche / AGM *	3 Phases (Phases 1, 2, 3)
MARCHE	ARRET	13,5V	14,0V	Cellule gelée	3 Phases (Phases 1, 2, 3)
ARRET	ARRET	13,5V	Désactivé	Batterie avec charge	2 Phases (Phases 1, 3)
MARCHE	MARCHE	<b>ATTENTION ! Ne pas sélectionner ce réglage</b>			

\* Préréglages du fabricant

### REGLAGES DE L'INTERRUPTEUR DIP - SEC-2440UL

S1	S2	Maintien	Amplification	Type de batterie	Phases de charge
ARRET*	MARCHE*	27V*	28,8V*	Etanche / AGM *	3 Phases (Phases 1, 2, 3)
MARCHE	ARRET	27V	28,0V	Gel	3 Phases (Phases 1, 2, 3)
ARRET	ARRET	27V	Désactivé	Batterie avec charge	2 Phases (Phases 1, 3)
MARCHE	MARCHE	<b>ATTENTION ! Ne pas sélectionner ce réglage</b>			

\* Préréglages du fabricant



### ATTENTION !

**VEUILLEZ VOUS ASSURER QUE LES MODES S1- MARCHE ET S2 - MARCHE NE SONT JAMAIS SÉLECTIONNÉS.**

### SELECTIONNER LA DUREE POUR LA PHASE 2 – PHASE D'ABSORPTION ("U<sub>0</sub>" Phase)

Phase 2 – La phase d'absorption (phase "U<sub>0</sub>") est contrôlée par une minuterie interne. Une durée de 4 heures ou 8 heures peut être sélectionnée à l'aide des deux interrupteurs S3 & S4

## SECTION 7 | Préparer Le Chargeur Pour L'Utilisation

de l'ensemble des 4 interrupteurs DIP (5). Demandez au fabricant de votre batterie d'effectuer un réglage optimal. La valeur présélectionnée est 4 heures. Sélectionnez les durées comme suit :

Durée	Interrupteur DIP S3	Interrupteur DIP S4	Type de Batterie
4 heures*	ARRET*	MARCHE*	Étanche / électrolyte
8 heures	MARCHE	ARRET	Cellule gelée & AGM
Désactiver	ARRET	ARRET	-

\* Préréglages du fabricant



### ATTENTION !

VEUILLEZ VOUS ASSURER QUE LES MODES S3 – MARCHE ET S4 – MARCHE NE SONT JAMAIS SÉLECTIONNÉS.

### REDUCTION DE LA CAPACITE MAXIMALE DE CHARGE PAR DEUX POUR CHARGER CHARGE SURE DES BATTERIES A PLUS FAIBLES CAPACITES – MODE DEMI PUISSANCE

Les batteries ne doivent pas être chargées à de très forts courants, afin de prolonger leur durée de vie. Sauf si approuvé par le fabricant, le courant de charge maximal doit être limité à approximativement C/10 (ou C est la capacité Ah de la batterie à un taux horaire de 20). Ainsi, aux capacités de courant nominal (80A pour SEC-1280UL et 40A pour SEC-2440UL), la capacité Ah de la batterie devant être chargée avec le chargeur sera :

- 80A x 10 = 800 Ah pour SEC-1280UL
- 40A x 10 = 400 Ah pour SEC-2440UL

Si une batterie à la capacité Ah moindre, est chargée à un taux de courant maximal, la durée de vie de la batterie sera certainement réduite.

Une provision a été effectuée pour réduire le courant de charge maximum à environ : 40A +/- 1A pour SEC-1280UL & 20A +/- 1A pour SEC-2440UL. Ce mode est défini comme "Mode de demi puissance". Ce mode peut être sélectionné en pressant l'interrupteur "Mode de demi puissance" (8). Une fois sélectionné, les batteries aux plus faibles capacités suivantes, peuvent être chargées de manière sûre à un taux de charge de C/10 :

- SEC-1280UL - 400 Ah
- SEC-2440UL - 200Ah

### COMPENSATION DE TEMPERATURE

La tension des cellules de la batterie dépend de la température des cellules à l'intérieur de celle-ci. Les cellules ont un coefficient de température négative. Leurs niveaux de tension augmentent lorsque la température est basse et diminuent lorsque la température est élevée. Le coefficient de température négative est de - 2.5 mV / °F / cellule ou de - 15.0 mV / °F / 6 cellules pour une batterie 12V ou - 30.0 mV / °F / 12 cellules pour une batterie 24V.

## SECTION 7 | Préparer Le Chargeur Pour L'Utilisation

La batterie et les tensions du chargeur de batterie indiquent normalement une température de 77°F (25°C). Ainsi, si la température de la batterie est considérablement supérieure ou inférieure à 77°F, elle sera sous chargée ou surchargée, sauf si le chargeur de batterie dispose d'un compensateur thermique.

### SONDE DE TEMPERATURE TF-500

Ce chargeur intègre une compensation de la température. Une sonde de température, modèle No. TF-500 (Schéma. 7,3) est fourni à cet effet.

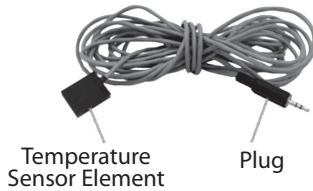


Schéma. 7,3. Capteur thermique Modèle No. TF-500



#### ATTENTION !

Ce capteur thermique est relié et calibré pour chaque chargeur de batterie et ne doit pas être interverti avec les capteurs d'un autre chargeur de batterie.

Le capteur thermique est livré avec un câble de 5 mètres. Il possède une prise à son extrémité. Branchez cette prise à l'un des jacks marqué TS (4) sur le panneau arrière du chargeur. L'autre extrémité comporte le capteur thermique. Encastrez ce capteur thermique sur la partie latérale de la batterie pour un transfert de température adéquat.

Lorsque le capteur thermique est branche, les tensions au cours des phases 2 et 3 sont automatiquement ajustées en fonction de la température de la batterie et du coefficient de température ci-dessus.

### TELECOMMANDE DU PANNEAU, MODELE NO. 900-RC

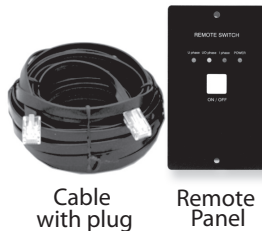


Schéma 7,4 Télécommande du panneau, Modèle No. 900-RC

## SECTION 7 | Préparer Le Chargeur Pour L'Utilisation

Une télécommande du panneau, modèle No. 900-RC optionnelle (Schéma 8.1 ci-dessus) peut être commandée. Elle est livrée avec un câble modulaire et droit de 10 mètres de long. Il est branché à la télécommande par un jack (6). **La télécommande du panneau peut être utilisée pour ALLUMER / ETEINDRE le chargeur et pour contrôler l'état de charge du chargeur à distance.**

Veillez consulter ce manuel pour en savoir plus sur la commande du panneau optionnelle 900-RC.

## SECTION 8 | Fonctionnement



### CAUTION!

Coefficient de température négatif (CTN) thermistances sont utilisés en série avec le circuit d'entrée CA pour limiter des très grand pic de courant d'appel établi par les condensateurs du côté d'entrée, qui agissent comme un court-circuit pendant le premier demi-cycle après que le chargeur est "ON" (allumé). Lorsque le chargeur est "ON" (allumé), CTN est à l'état froid, sa résistance est élevée, donc le pic de courant d'appel est supprimé au niveau sécuritaire. Il chauffe très rapidement et sa résistance retombe presque à zéro. Il reste dans un état chauffé ainsi que le chargeur reste "ON" (allumé). Lorsque le chargeur est "OFF" (éteint), le CTN nécessite environ 2 à 3 min pour refroidir et réinstalle sa résistance à un état haut/froids pour supprimer le pic la prochaine fois que cela sera requis. Les précautions suivantes doivent être prises pour éviter d'endommager le CTN et au circuit d'entrée :

- Ne mettez pas en marche "ON", éteignez "OFF" et allumez "ON" le chargeur en succession rapide. Après avoir éteint le chargeur, attendez au moins 5 minutes avant de rallumer "ON" pour permettre le refroidissement du CTN.
- Lorsque vous allumez le chargeur d'un générateur, permettez le générateur de se réchauffer et de se stabiliser en tension avant d'allumer "ON" le chargeur. Si le chargeur est en état "ON" (allumé) et le générateur est démarré, les hautes tensions transitoires produits par le générateur lors du démarrage peuvent endommager le CTN.

### ALLUMER / ETEINDRE

Le chargeur est ALLUME / ETEINT à l'aide de l'interrupteur MARCHE / ARRET de CA (9) situé sur le panneau arrière de l'unité. L'interrupteur s'allume en rouge lorsqu'il est en MARCHE.

### INDICATION DE FONCTIONNEMENT NORMAL ET STATUT DE LA CHARGE

Lorsque le chargeur est allumé sans aucune charge, le ventilateur s'allumera momentanément puis s'éteindra.

Le voltmètre (12) indiquera la tension aux bornes du chargeur. L'ampèremètre (13) indiquera le courant puisé depuis le chargeur. Lorsqu'une batterie autonome est en cours de charge et qu'elle est pleinement chargée, le courant avoisinera 0A. Lorsque le chargeur est en limite de courant au cours de la phase 1 – phase de charge de masse (phase "I") ou de phase 2 – phase d'absorption (phase "U<sub>0</sub>"), le courant indique sera 80A pour SEC-1280UL et 40A pour SEC-2440A.

## SECTION 8 | Fonctionnement

### ALIMENTER D'AUTRES CHARGES DE CC

Le chargeur peut être utilisé comme source d'alimentation ou comme onduleur de CC (source d'alimentation ininterrompue de CC. Pour ces deux utilisations, veuillez d'abord mettre les interrupteurs S1 et S2 en position éteinte, afin de régler le chargeur sur le mode charge en 2 phases (Consultez "Réglage du Commutateur DIP à la page 21").

### UTILISER LE CHARGEUR COMME SOURCE D'ALIMENTATION

Afin de l'utiliser comme source d'alimentation, débranchez tout d'abord la charge de CC. Connectez la charge de CC à la borne commune négative et à l'une des deux bornes positives. Assurez-vous que le courant maximum tiré par la charge de CC soit inférieur au seuil de courant maximum du chargeur. Allumez le chargeur, puis la charge de CC. Pour le fonctionnement dans ce mode, réglez les commutateurs S1 et S2 de commutateur DIP note Mode (7) à "OFF" (éteint) pour l'application "Batterie avec Charge".

### UTILISER LE CHARGEUR COMME ONDULEUR DE CC

Dans un onduleur de CC (source d'alimentation sans interruption), le chargeur alimente à la fois la charge de CC et la batterie. Tant que l'alimentation de CA vers le chargeur est disponible et que le chargeur fonctionne normalement, le chargeur fournira une charge de CC et chargera / maintiendra la batterie. Au cas où l'alimentation de CA disparaissait ou si le chargeur cessait de fonctionner, la batterie alimentera automatiquement la charge de CC. Dès que l'alimentation de CA vers le chargeur est restaurée, la charge DC sera de nouveau alimentée par le chargeur et, dans le même temps, la batterie sera rechargée.



#### ATTENTION !

Faites en sorte que la somme du courant tiré par la charge CC et que le courant souhaité pour la charge de la batterie soit inférieurs à la capacité maximum du courant du chargeur.

Pour utiliser un onduleur de CC, veuillez tout d'abord, ETEINDRE la charge CC et la brancher à la batterie. Ensuite, connectez la batterie au chargeur comme expliqué ci-dessus. Allumez le chargeur, puis la charge CC. Pour le fonctionnement dans ce mode, réglez les commutateurs S1 et S2 de commutateur DIP note Mode (7) à "OFF" (éteint) pour l'application "Batterie avec Charge".



## SECTION 9 | Resolution Des Problemes

Les symptômes d'un fonctionnement anormal et les causes et remèdes probables sont données dans les paragraphes suivants.

**IL N Y A AUCUNE TENSION DE SORTIE. L'INTERRUPTEUR MARCHÉ / ARRÊT DE CA NE S'ALLUME PAS LORSQU'IL EST ENCLENCHE. LE VOLTMÈTRE RESTE IMMOBILE. (SUR LE PANNEAU DE COMMANDE, LA DEL VERTE SOUS « POWER » EST ÉTEINTE).**

- **Il n y a aucune tension d'entrée de CA dans la prise :** vérifiez que l'alimentation de CA est disponible dans le réceptacle de la prise de CA et qu'elle est ALLUMÉE.
- **Le fusible latéral d'entrée de CA a explosé en raison de :** Tension d'entrée élevée: vérifiez que la tension d'entrée nominale est de 120 VAC (étendue normale est entre 108 et 132 VAC).
- **Tensions transitoires / surtensions de haute tension dans la ligne d'entrée de CA :** vérifiez que la tension d'entrée de CA est claire et ne présente pas de tensions transitoires / surtensions de haute tension. Les tensions transitoires et surtensions d'entrée supérieures à 170 VAC feront exploser le fusible latéral de CA. Utilisez un conditionneur de tension ou un parasurtenseurs, si nécessaire.
- **L'unité est défectueuse :** si le fusible n'explose pas en raison des deux raisons ci-dessus.

**IL N Y A AUCUNE TENSION DE SORTIE. LE VOLTMÈTRE RESTE IMMOBILE ET L'INTERRUPTEUR MARCHÉ / ARRÊT DE CA S'ALLUME EN ROUGE (SUR LE PANNEAU DE COMMANDE, LA DEL ROUGE SOUS LA "PHASE I" EST ALLUMÉE, LA DEL VERTE SOUS "POWER" EST ALLUMÉE). LE VENTILATEUR EST ALLUMÉ DE MANIÈRE CONTINUE.**

- **Le fusible latéral de sortie de CC a explosé :** le fusible latéral explosera si la batterie est branchée avec une polarité inversée. Assurez-vous de connecter le pôle positif de la batterie au connecteur positif du chargeur (soit la banque 1 ou 2) et que le pôle négatif est connecté au connecteur négatif (commun) du chargeur. Remplacez les fusibles avec des fusibles de même calibre.
- **La batterie / charge de CC a court circuité :** vérifiez et réparez le court circuit. Le chargeur restera en position éteinte, s'il s'est arrêté en raison du court circuit et NE redémarrera PAS automatiquement. Pour le redémarrer. Éteignez l'interrupteur MARCHÉ / ARRÊT de l'entrée de CA, puis rallumez-le.
- **Arrêt en raison d'une surchauffe :** vérifiez que le ventilateur fonctionne normalement, que les sorties d'aération ne sont pas obstruées et que la température ambiante n'est pas trop élevée. Le chargeur restera en position éteinte, s'il s'est arrêté en raison du court circuit et NE redémarrera PAS automatiquement, même une fois que l'unité a refroidi. Éteignez l'interrupteur MARCHÉ / ARRÊT de l'entrée de CA, puis rallumez-le.
- **L'entrée de CA est réglée sur 230 VAC et est utilisée à 120 VAC :** vérifiez la position du fil de raccordement interne, et réglez l'utilisation sur 120 VAC ou 230 VAC. Pour une utilisation sous 120 VAC, le fil de raccordement doit être branché et court-circuiter les points C et D sur le PCB.

**LORSQUE LE CHARGEUR EST ALIMENTÉ ET UTILISÉ COMME SOURCE D'ALIMENTATION DE CC / ONDULEUR, LA TENSION DE SORTIE CHUTE LORSQUE LA CHARGE DE CC EST ACTIVÉE OU AUGMENTÉE.**

- Le chargeur doit se mettre en mode de limite de courant. La charge tente de puiser plus de courant que la valeur limite de courant du chargeur. 80A pour un fonctionnement normal & 40A +/- 1A pour le "mode demi puissance" pour SEC-1280UL et 40A pour un fonctionnement normal & 20A +/- 1A pour le "mode demi puissance" pour SEC-2440UL (la valeur de limite de courant correspond aux Amps de charge maximums spécifiés). Une fois que le courant atteint la valeur de courant limite, le circuit de courant limite est activé et la tension de sortie chute. Certaines charges comme les moteurs, compresseurs, lampes incandescentes, lampes halogènes, éléments de chauffage, relais, bobines, condensateurs etc. puisent un courant d'appel / de démarrage très élevé ou le courant de fonctionnement maximum de la charge est inférieur à la valeur de courant limite du chargeur. Ne pas utiliser une charge qui puise plus de 80A (40A +/- 1A pour "mode demi

## SECTION 9 | Résolution Des Problèmes

puissance”) pour SEC-1280UL ou plus de 40A (20A +/- 1A pour le “mode demi puissance”) pour SEC-2440UL. Une fois que le courant de charge est inférieur aux valeurs limites ci-dessus, le chargeur récupèrera automatiquement.

### LA BATTERIE EST EN ÉTAT DE SURCHARGE / SURCHAUFFE OU CONNAÎT UNE PERTE D’EAU OU ÉBULLITION

- **Une charge externe est connectée a la batterie lorsque celle-ci est en cours de charge :** la charge en 3 phases est recommandé pour charger les batteries autonomes et déchargées (aucune charge n’est connectée a la batterie lorsqu’elle est en cours de charge). Si une charge est également connectée simultanément, une partie du courant de sortie du chargeur sera détourné vers cette charge. Ainsi, le chargeur peut rester verrouillé en phase 2, si le courant tiré par la charge est supérieur à la valeur présélectionnée du seuil de courant. Cela détermine le passage de la phase 2 à la phase 3 et provoquera une surcharge ou une perte d’électrolyte.

Pour changer une batterie lorsque la charge est également connectée simultanément. La tension de phase 2 devra être la même que celle de la phase 3. Sélectionnez « Batterie chargée » a l’aide des interrupteurs DIP « Mode » (7) – lire la section 7 sous « Sélectionner le type de batterie et les phases de chargement ».

- **Deux banques de batteries sont chargées et les batteries des deux banques sont a un état de décharge différent :** lorsque vous chargez plus d’une banque de batteries en même temps en utilisant la charge en 3 phases, assurez-vous que l’état de décharge des batteries des banques est équivalent. Si une banque est complètement déchargée et que l’autre est quasiment pleine, la banque pleinement chargée sera sujette à une surcharge, pendant que le chargeur demeure en phase 2 (“U<sub>o</sub>” Phase) pour charger la banque complètement déchargée.

Si 2 banques de batteries doivent être chargées et qu’elles sont à des états de décharge différents, sélectionner “Batterie chargée” (chargement en 2 phases) grâce aux interrupteurs S1 et S2, parmi les 4 interrupteurs DIP (S1 & S2 sont désactivés). Consultez la section “Réglage du Commutateur DIP à la page 21”.

- **Courant de charge très élevé pour batterie a faible capacité Ah :** le taux de charge doit être normalement limité a C/10, sauf si spécifié différemment par le fabricant de votre batterie. Un taux de charge très élevé peut provoquer une réduction de la tension de charge, lorsque le dégagement gazeux débute et peut causer une forte augmentation des températures, la perte d’eau et l’ébullition de la batterie.

### LA BATTERIE PREND ÉNORMÉMENT DE TEMPS À SE RECHARGER COMPLÈTEMENT OU LORSQUE LE CHARGEUR EST EN MARCHÉ ET EST UTILISÉ COMME FOURNISSEUR DE CC / ONDULEUR. LA TENSION DE SORTIE CHUTE A UN FAIBLE NIVEAU DE COURANT DE CHARGE CC.

- **L’unité est en “mode demi puissance” :** (DEL verte (8) située dans le coin inférieur gauche du panneau frontal de l’unité est allumée). Lorsque le mode est sélectionné, le courant de charge maximum sera automatiquement réduit a 40A +/- 1A pour SEC-1280UL et 20A +/-1A pour SEC- 2440UL. Ainsi, le temps de charge sera plus long. Désactivez le “mode demi puissance”, si la charge de la pleine capacité de la batterie est requise.

## SECTION 10 | Calibration Des Fusibles Internes

Les cotés CA et CC disposent de fusibles.

Le fusible du coté CA est situé sur le PCB F1 à l'intérieur de l'unité. Il est évalué à 250V, 20A, temporisé (Taille 6.3 mm x 32 mm, spirale).

Les fusibles du coté CC sont situés à l'intérieur de l'unité. Pour accéder à ces fusibles, retirez la plaque supérieure. Ce sont des fusibles a lame, de type automobile (par exemple, "Littelfuse", de type ATO) est calibré de la manière suivante :

SEC-1280UL	3 pièces, chacune calibrée à 32V, 30A
SEC-2440UL	3 pièces, chacune calibrée à 32V, 15A

## SECTION 11 | Spécificités

PARAMETRE	SEC-1280UL	SEC-2440UL
<b>TENSION D'ENTRÉE NOMINALE</b> Préréglages du fabricant	120 VAC, 50 /60 Hz (108 à 132 VAC)	
En changeant le cavalier interne	230 VAC, 50 / 60 Hz (207 à 253 VAC)	
<b>COURANT D'ENTRÉE</b> A une tension d'entrée de 120 VAC A une tension d'entrée de 230 VAC	15.9A 8.6A	15.3A 8.3A
<b>TENSION DE SORTIE</b> Masse "phase I" Absorption " phase Uo"* Maintien "phase U"*	13.5V +/-0.05V 14V / 14.4V +/-0.05V 13.5V +/- 0.05V	27.0V +/- 0.05V 28V / 28.8V +/- 0.05V 27.0V +/- 0.05V
<b>COURANT DE CHARGE DE MASSE MAXIMUM, I</b> Fonctionnement normal Mode demi puissance	80A 40A +/-1A	40A 20A +/- 1A
<b>SEUIL DE COURANT POUR CHANGEMENT</b> De maintien "U" à amplification "Uo" D'amplification "Uo" à maintien "U"	15A +/-1A 8A +/-0.5A	8A +/-1A 4A +/-0.5A
<b>DURÉE DE L'ABSORPTION / PHASE D'AMPLIFICATION</b>	4 Heures or 8 Heures (Sélectionnable avec l'interrupteur)	
<b>CAPACITÉ MAXIMUM DE LA BATTERIE</b>	800 Ah	400 Ah
<b>COMPENSATION DE LA TEMPÉRATURE</b>	Oui. Avec sonde de température TF-500	
<b>TÉLÉCOMMANDE DU PANNEAU (OPTIONNEL)</b>	Oui. Model 900-RC	
<b>REFROIDISSEMENT</b>	Charge contrôlée par ventilateur – MARCHE à 15A ± 1A ARRET à 8A ± 0.5A	Charge contrôlée par ventilateur – MARCHE à 8A ± 1A ARRET à 4A ± 0.5A
<b>PROTECTIONS</b> Surcharge Court circuit Polarité inversée Surchauffe	OUI OUI OUI OUI	
<b>BANQUES DE SORTIE</b>	2	
<b>CONNECTEURS DE SORTIE</b>	Bornes a trous tubulaires (8 mm de diamètre) et vis de réglage - M8	
<b>ETENDUE DE LA TEMPÉRATURE DE FONCTIONNEMENT</b>	0° – 40°C	

## SECTION 11 | Spécificités

PARAMETRE	SEC-1280UL	SEC-2440UL
FUSIBLES – COTÉ CA (6.3mm x 32mm); à fusion lente / temporisé Tension d'entrée 120 VAC		20A / 250V
FUSIBLES, COTÉ CC À LAME de type automobile, c.a.d. LittleFuse, série "ATO"	32V , 90A (3 pièces of 20A en parallèle)	32V , 45A (3 pièces of 15A en parallèle)
DIMENSIONS: (L X L X H), MM (L X L X H), INCH		381 x 244 x 97 15 x 9.61 x 3.82
POIDS, KG. LBS.		4.1 9.0
NORMES DE SÉCURITÉ	Intertek – classe ETL Conformes à ANSI / UL STD 1564 Certifié CAN / CSA STD C22.2 No. 107.2	
NORMES EMI	FCC Partie15(B), Classe A	

**\*Notes:** les tensions de charge affichées sont valables lorsque la température de la batterie à électrolyte est de 77°F (25°C)

Spécificités sujettes à toutes modifications sans avertissement préalable.

## SECTION 12 | Garantie

### GARANTIE LIMITEE SOUS 2 ANS

SEC-1280UL, SEC-2440UL, fabriqués par Samlex America, Inc. (le « Garant ») sont garantis être non défectueux dans la conception et dans les matériaux, moyennant une utilisation et un service normaux. La période de garantie est de 2 ans pour les Etats-Unis et le Canada, et prend effet le jour de l'achat par l'utilisateur (« l'Acheteur »).

La garantie hors des Etats Unis et du Canada est limitée à 6 mois. Pour une réclamation concernant la garantie, l'Acheteur devra contacter le point de vente ou l'achat a été effectué afin d'obtenir un Numéro d'Autorisation pour le Retour.

La pièce ou l'unité défectueuse devra être retournée aux frais de l'acheteur au point de vente agréé. Une déclaration écrite décrivant la nature du défaut, la date et le lieu d'achat ainsi que le nom, l'adresse et le numéro de téléphone de l'Acheteur devront également être renseignés.

Si a l'examen de la demande par le Garant, le défaut est réellement le résultat d'un matériau ou d'un assemblage défectueux, l'équipement sera réparé ou remplacé gratuitement et renvoyé a l'Acheteur aux frais du Garant. (Etats-Unis et Canada uniquement).

Aucun remboursement du prix d'achat ne sera accordé a l'Acheteur, sauf si le Garant est incapable de remédier au défaut après avoir eu plusieurs occasion de le faire. Le service de garantie doit être effectuée uniquement par le Garant. Toute tentatives de remédier au défaut par quelqu'un d'autre que le Garant rendent cette garantie nulle et sans effet. Il n'existe aucune garantie concernant les défauts ou dommages causés par une installation défectueuse ou inadaptée, par un abus ou une mauvaise utilisation de l'équipement, y compris, une exposition excessive a la chaleur, au sel, aux éclaboussures d'eau fraîche ou a l'immersion dans l'eau.

Aucune autre garantie express n'est accordée et il n'existe aucune garanties qui s'étendent au delà des conditions décrites par la présente. Cette garantie est la seule garantie valable et reconnue par le Garant, et prédomine sur d'autres garantie implicites, y compris les garanties implicites liées a la garantie de qualité marchande, a l'usage des objectifs habituels pour lesquels

## **SECTION 12 | Garantie**

de telles marchandises sont utilisées, ou l'usage pour un objectif particulier, ou toutes autres obligations de la part du Garant ou de ses employés et représentants.

Il ne doit pas exister de responsabilité ou autre de la part du Grant ou des ses employés et représentants, en ce qui concerne les blessures corporelles, ou les dommages de personne a personne, ou les dégâts sur une propriété, ou la perte de revenus ou de bénéfices, ou autres dommages collatéraux, pouvant être rapportés comme ayant survenus au cours de l'utilisation ou de la vente du matériel, y compris tous dysfonctionnements ou échecs du matériel, ou une partie de celui-ci. Le Garant n'assume aucune responsabilité concernant toutes sortes de dommages accidentels ou indirects.

**Samlex America Inc. (le « Garant »)**  
**[www.samlexamerica.com](http://www.samlexamerica.com)**

## **Information Contact**

### **Numéros gratuits**

Tel : 1 800 561 5885

Fax : 1 888 814 5210

### **Numéros locaux**

Tel : 604 525 3836

Fax : 604 525 5221

### **Site internet**

[www.samlexamerica.com](http://www.samlexamerica.com)

### **Entrepôt USA**

Kent, WA

### **Entrepôt Canada**

Delta, BC

### **Adresse email pour passer commande**

[orders@samlexamerica.com](mailto:orders@samlexamerica.com)



**samlex**america®