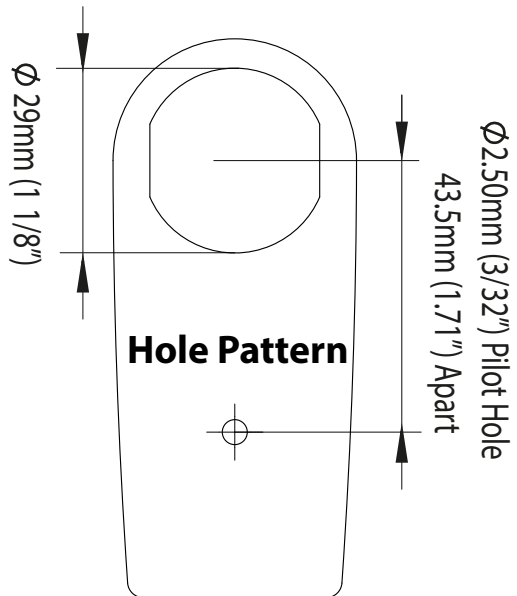
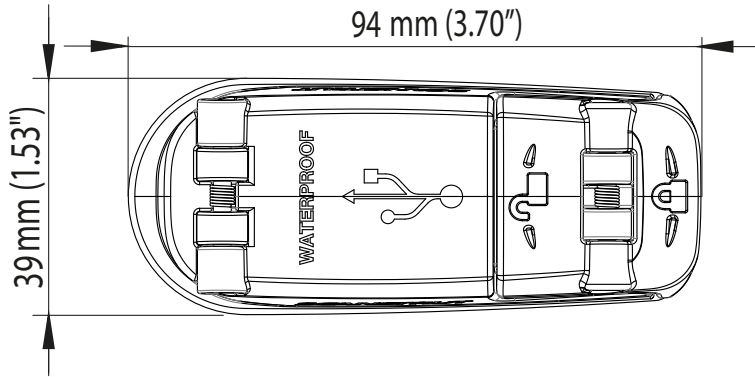


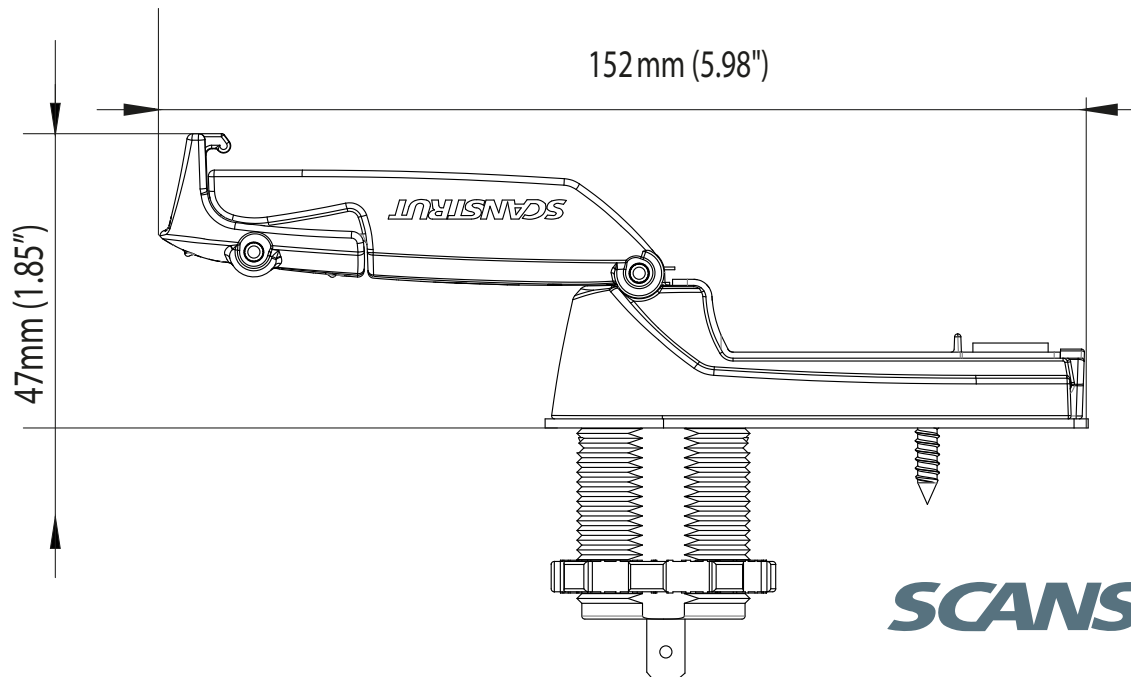
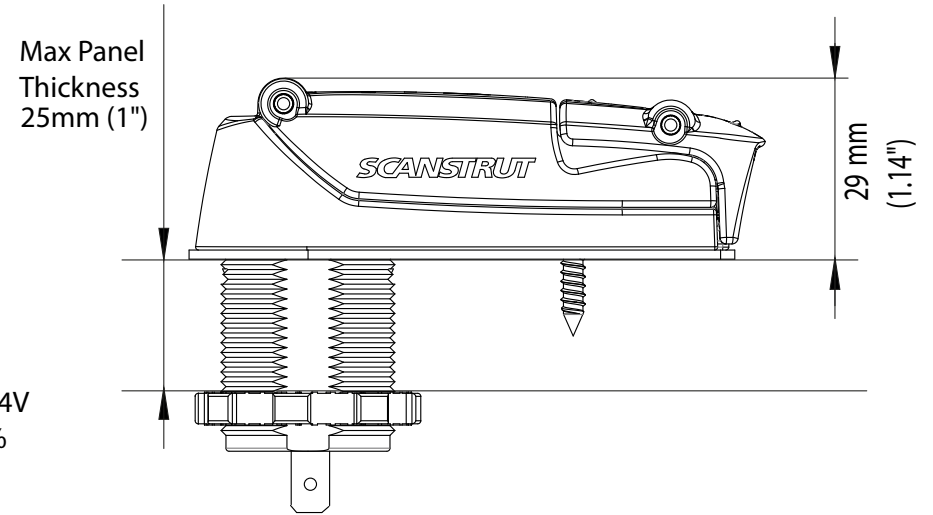
# ROKK Charge+ (12-24V) - SC-USB-02

For help & information  
email: [technical@scanstrut.com](mailto:technical@scanstrut.com)  
tel: +44 (0) 1803 863800



## Electrical info:

- USB Input Voltage Range 12-24V
- USB Output Voltage 5V +/- 5%
- Output Current 4.2A (Total)



**SCANSTRUT**