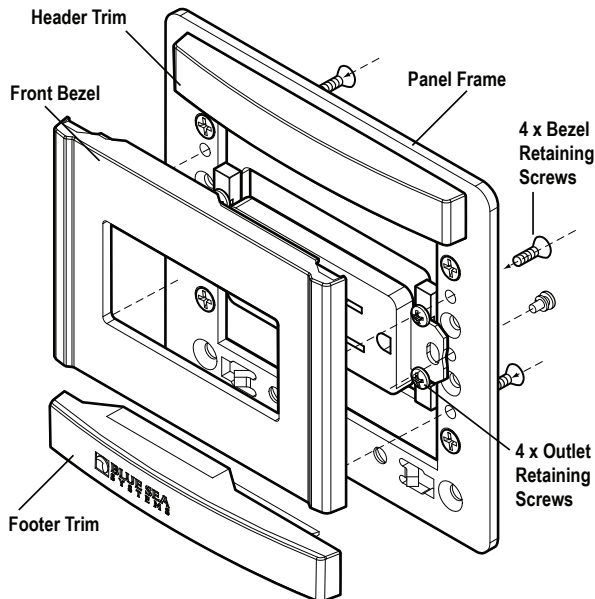


120A AC Dual Outlet 360 Panel

PN 1479



GUARANTEE: Blue Sea Systems stands behind its products for as long as you own them. Find detailed information at www.blueseasystems.com/about. For customer service, call 800.222.7617.

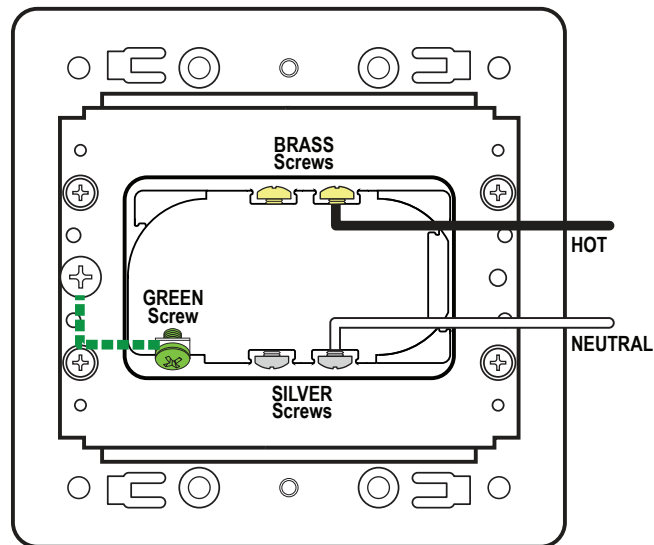
Blue Sea Systems, Inc.
425 Sequoia Drive
Bellingham, WA 98226 USA

p 360.738.8230
f 360.734.4195
conductor@blueseasystems.com
www.blueseasystems.com

980014040 Rev. 001

Installation

1. Disconnect all AC and DC power.
2. Use 12 or 14 AWG wire. Remove insulation as appropriate for wire terminals to be used.
3. Connect wires per wiring diagram as follows:
 - Attach BLACK (hot) wire to BRASS screw.
 - Attach WHITE (neutral) wire to SILVER screw.
 - Attach GREEN or BARE wire to GREEN screw. The GREEN or BARE wire can be attached to the metal frame with ground screw.



Back of Panel