

STANDARD HORIZON

Nothing takes to water like Standard Horizon

FIXED MOUNT MARINE VHF TRANSCEIVER

GX6500/GX6500E

QUANTUM AIS/GPS



Commercial Grade Fixed Mount VHF with NMEA 2000 and integrated Class B AIS transponder

GX6500 : US GX6500E : Europe, Asia and Australia

ITU CLASS D

FIXED MOUNT MARINE VHF TRANSCEIVER

GX6000/GX6000E

QUANTUM AIS

Commercial Grade Fixed Mount VHF with NMEA 2000 and integrated AIS receiver

GX6000 : US GX6000E : Europe, Asia and Australia

ITU CLASS D



Class B AIS Transponder

Integrated AIS (Automatic Identification System) Class B Transponder
* GX6500/GX6500E only

Dual Channel AIS Receiver and Display

Integrated Dual Channel AIS Receiver

ITU Class D DSC Transceiver

Meets ITU-R M493-13 Class D DSC (Digital Selective Calling)

IPX8 1.5 m for 30 min Submersible

Submersible IPX8 (5 feet or 1.5 meters for 30 minutes)

SUPPLIED WAAS GPS

66 Channel External GPS antenna included
* GX6500/GX6500E only

Waypoint Nav & Compass displays

GPS Compass, Waypoint and GPS status pages

DUAL ZONE 25Watt PA/Hailer

Dual Zone 25W PA / Loud Hailer with preprogrammed fog signals and listen back

INTEGRATED 32 & 4 CODE Voice Scrambler

Integrated 32 Code Voice Scrambler and 4 Code Voice Scrambler

FEATURES

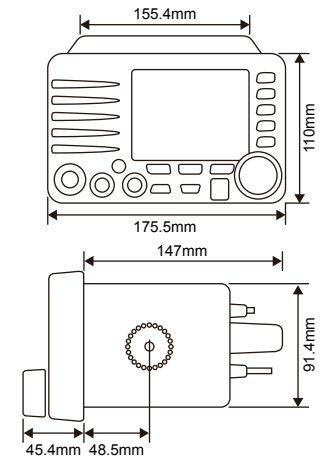
- Integrated dual channel AIS (Automatic Identification System) receiver
- Integrated Class B AIS transponder - GX6500/GX6500E only
- AIS / AIS SART target display: MMSI, Call Sign, Ship Name, BRG, DST, SOG and COG
- Meets ITU-R M493-13 Class D DSC (Digital Selective Calling)
- NMEA 2000 and NMEA 0183 compatible
- 66 Channel External GPS antenna included - GX6500/GX6500E only
- Selectable 4800 or 38400 baud rate for plotters with one NMEA 0183 connection
- GPS Compass, Waypoint and GPS status pages
- Programmable CPA or TCPA collision avoidance alarms
- Dual Zone 25W PA / Loud Hailer with preprogrammed fog signals and listen back
- Submersible IPX8 (5 feet or 1.5 meters for 30 minutes)
- 80dB Commercial grade receiver
- Noise-canceling for both transmit and receive audio
- Integrated Voice Recorder to playback up to two minutes of RX receive audio
- Integrated 32 Code Voice Scrambler compatible with FVP-42 and 4 Code Voice Scrambler compatible with CVS2500A
- E2O (Easy-To-Operate) menu system
- User customizable soft keys for easy menu operation
- Front panel microphone can be connected to rear panel and extended 20 feet using MEK-4 mic extension kit
- Capable of connecting two optional wired RAM4 or one wired RAM4 and four wireless RAM4W microphones
- Contact Class A and Class B AIS vessels using the DSC individual call
- GM (Group Monitor) using DSC Group Position Call
- MOB (Man Overboard) Function

SUPPLIED ACCESSORIES

- Hand Microphone
- Power Cord
- Mounting Bracket and Hardware
- External GPS Antenna SCU-31 (GX6500/GX6500E only)
- USB Cable

OPTIONAL ACCESSORIES

<p>SSM-70H Remote Access Microphone RAM4</p> 	<p>SSM-71H Wireless Remote Access Microphone RAM4W</p> 	<p>CT-100 23 ft (7 m) Extension Cable for SSM-70H (RAM4)</p> 	<p>MEK-4 20 ft (6 m) Microphone Extension Kit</p> 	<p>SCU-30 Wireless Access Point for SSM-71H (RAM4W)</p> 
<p>MLS-300 External Speaker *Available in Black or White</p> 	<p>220SW 4.5" (114 mm) Round 4 Ohm Hull/PA Horn</p> 	<p>240SW 5" x 8" (127 x 203 mm) Rectangular 4 Ohm Hull/PA Horn</p> 	<p>SCU-31 External GPS Antenna with 49 ft (15 m) of Cable</p> 	<p>MMB-84 Flush Mount Bracket</p> 



SPECIFICATIONS

General	
Channels	All USA, International and Canadian GX6500E/GX6000E: Selectable by Region
Channel Spacing	25 kHz
Frequency Stability	±3 ppm -4° F to +140° F (-20° C to +60° C)
Emission Type	G3E (Voice), G2B (DSC), GXW (AIS: GX6500/E only)
Antenna Impedance	50 Ω
Supply Voltage	13.8 VDC ± 20 % 0.9 A (Receive), 0.55 A (Standby)
Current Consumption	TX: 5.0 A / 1.0 A (TX: 25 W / 1 W)
Operating Temperature	-4° F to +140° F (-20° C to +60° C)
Waterproof rating	IPX8 (5 feet or 1.5 meters for 30 minutes)
Dimensions (W x H x D)	6.9" x 4.3" x 6.8" (175.5 x 110 x 173.3 mm)
Flush Mount Dimensions (W x H x D)	6.2" x 3.7" x 6.2" (158 x 94 x 158 mm)
Weight (Approx.)	3.7 lbs (1.66 kg)
Transmitter	
Frequency Range (MHz)	Marine Band 156.025 MHz - 157.425 MHz (USA) 156.025 MHz - 161.600 MHz (International) 161.975 MHz (AIS CH A) : GX6500/E only 162.025 MHz (AIS CH B) : GX6500/E only
RF Output Power	25 W / 1 W
Maximum Deviation	±5 kHz
Spurious Emission	Less than -80 dBc / -66 dBc (TX: 25 W / 1 W)
Receiver	
Frequency Range (MHz)	Marine Band 156.050 MHz - 163.275 MHz 161.975 MHz (AIS CH A) 162.025 MHz (AIS CH B)
Circuit Type	Double-Conversion Superheterodyne
Sensitivity (12 dB SINAD)	0.30 μV 0.5 μV (for AIS)
Spurious and Image Rejection	80 dB for Voice (75 dB for DSC / 70 dB for AIS)
Intermodulation	80 dB for Voice (75 dB for DSC / 70 dB for AIS)
AF Output	10 W @ 8 Ohms External Speaker Output
GPS Receiver	
Receiver Channels	66 Channels
Sensitivity	Less than -147 dBm
Time to First Fix	1 min typical (@Cold Start) 5 sec typical (@Hot Start)
Geodetic Datum	WGS84
SBAS Correction	WAAS, MSAS and EGNOS