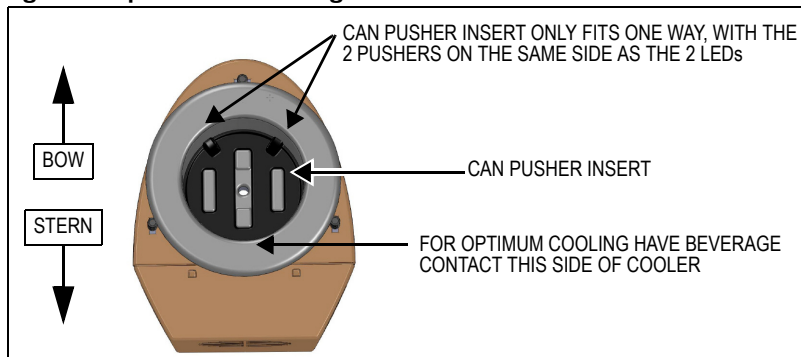
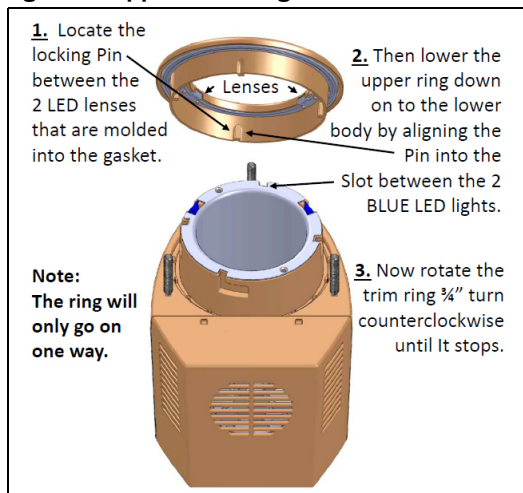


**Figure 3: Optimum Positioning**



**Figure 4: Upper Trim Ring Installation Procedure**



**USAGE**

This appliance can be used by children aged from 8 years and above and persons with reduced physical, sensory or mental capabilities or lack of experience and knowledge if they have been given supervision or instruction concerning use of the appliance in a safe way and understand the hazards involved.

Children shall not play with the appliance. Cleaning and user maintenance shall not be made by children without supervision.

**SPECIFICATIONS**

Amps	Power	Dimensions H x W x D	Interior Diameter	Cutout Diameter	Power Cord Length	Weight
3.1	12V DC	6.23 x 5.36 x 6.85 in 159 x 137 x 174 mm	2.95 in 75 mm	4.0 in 102 mm	16 in 407 mm	33.75 oz 0.96 kg

**PART NUMBERS**

Eskimo Cup	250140101	Spare Part, Fan	250140202
Spare Part, Trim Ring	250140250	Spare Part, Can Pusher Insert	250140203
Spare Part, LED	250140201		

COPYRIGHT © 2014-2015 Dometic Corporation. All Rights Reserved. No part of this publication may be reproduced, translated, stored in a retrieval system, or transmitted in any form or by any means electronic, mechanical, photocopying, recording or otherwise without prior written consent by Dometic Corporation. Every precaution has been taken in the preparation of this manual to ensure its accuracy. However, Dometic Corporation assumes no responsibility for errors and omission. Neither is any liability assumed for damages resulting from the use of this product and information contained herein.

# Dometic

## Eskimo Cup Installation & Operation Manual

**OVERVIEW**

The Dometic Eskimo Cup is a thermoelectric refrigerated cup holder. It is designed to accommodate mounting into surfaces of various thicknesses.

A polished marine-quality 316 stainless-steel trim ring finishes the surface installation and is accented with two blue LED interior lights.



**SAFETY PRECAUTIONS**



**CAUTION**

Do not over tighten mounting screws. Do not use a power driver. Tighten by hand ONLY!

To mount the unit, tighten the 3 mounting screws evenly until they contact the underside of the mounting surface. For hard surfaces, tighten the unit down evenly by tightening each of the 3 screws 1 additional full revolution after surface contact. For soft surfaces, tighten each of the 3 screws 2 additional full revolutions after surface contact.



**CAUTION**

- Do not use an abrasive cleaner to clean the stainless-steel trim ring. It will scratch the surface.
- Do not use an abrasive cleaner to clean the cooler bore. It has an anti-stick coating and it will be damaged.



**CAUTION**

Eskimo Cup may freeze beverages in cold ambient temperatures.



**CAUTION**

Ventilation is required to dissipate heat, otherwise poor performance and overheating may occur..

**INSTALLATION PROCEDURE**

(For a quick video overview, see "How to Install the Dometic Eskimo Cup" on YouTube.com)

**Choosing the Location**

Choose an installation location that does not interfere with existing below-deck objects and has enough ventilation below the surface to help dissipate the heat of 150 BTUs generated by the thermoelectric process. Allow 6 in (15 cm) of space on all sides of the unit. See Figures 1 and 2. **Note: If space underneath does not have proper ventilation, an optional vent or power vent might have to be installed to remove the built-up heat or unit will not cool your beverage properly.**

Do NOT locate in area where under-mounted portion of unit will receive frequent seawater exposure or deck wash down.

See Figure 2 for detailed dimensions. For optimum performance, mount the Eskimo Cup with the LED lights (rounded end) toward the bow or uphill to allow gravity to pull the beverage toward the coldest side of the cooler bore. See Figure 3.

## Installation Steps

1. Select an installation area with adequate ventilation and make sure the chosen mounting surface is **NOT** thicker than 1.25 in (31.75 mm). See Figure 2. Drill a 4 in (10.16 cm) hole in the installation surface. Seal the raw edges of the mounting surface if applicable.
2. Detach the stainless-steel trim ring assembly from the Eskimo Cup by rotating the ring clockwise then lift it off.
3. From beneath the installation surface, slide the Eskimo Cup upward through the drilled hole and reattach the stainless-steel trim ring assembly by aligning the ring pins to the entry slots, then turn the ring counter-clockwise  $\frac{1}{4}$  in (19 mm). It only fits one way. See Figure 4. Have the rounded end aimed at the bow. See Figure 3.
4. **DO NOT USE POWER TOOLS! HAND-TIGHTEN ONLY! OVERTIGHTENING WILL CAUSE DAMAGE TO THE UPPER TRIM RING LOCKING PINS.** Tighten the 3 support screws until they make contact with the underside of the mounting surface. For hard surfaces such as solid fiberglass and metal, tighten the unit down evenly by tightening each of the 3 screws 1 full revolution after surface contact. For soft surfaces such as marine plywood, tighten each of the 3 screws 2 full revolutions after surface contact. **DO NOT OVERTIGHTEN.**
5. Connect a 3/8-in (10 mm) ID drainage hose to the drain tube fitting on the bottom of the unit and route the output sloping downward to an appropriate drainage location onboard.
6. Make sure the Can Pusher Insert is properly aligned in bottom of Eskimo Cup. See Figure 3.

## Electrical Connections (12 Volt DC Only)

1. Locate (or install) an auxiliary 12V DC power switch (not included) that will be used for the Eskimo Cup. Typically this will be on a fused branch circuit attached to the house battery (NOT the engine battery). Note: Control of Eskimo Cup(s) can be managed with a single switch or set up with zone switching.
2. With the power off, attach the wires of the Eskimo Cup to the wiring of that switch; the red wire is positive and the black wire is negative. Each unit has a 5 amp fuse built into its wiring which should be positioned in an accessible location.
3. Power on the switch and verify the blue lights inside the Eskimo Cup are lit.

**NOTE:** Low-voltage cut off is at 10.5 volts DC to avoid a dead battery.

## OPERATION

1. Power on the switch that controls the Eskimo Cup(s).
2. Allow 2 to 3 minutes for the Eskimo Cup to chill.
3. Between sips, store your can, bottle, or any appropriately sized beverage container in the Eskimo Cup and enjoy a drink that stays cold while you drink it.
4. For optimum performance make sure the Can Pusher Insert is aligned correctly. See Figure 3.

## TROUBLESHOOTING IF UNIT DOES NOT COOL WELL

Performance of unit is directly related to temperature of air at fan inlet. See Figure 2.

- **If the blue LED lights are on when switch is on, then:**
  - Make sure beverage container is in contact with optimum area of cooler. See Figure 3.
  - Check for proper ventilation around the unit. Poor ventilation will cause poor cooling capacity. See Figure 1.
  - Make sure all electrical connections are tight. Loose connections cause high resistance and poor performance.
  - Is cooling fan running? If clogged with debris, wipe or brush fan inlet to clean. Do not spray with water. See Figure 2.

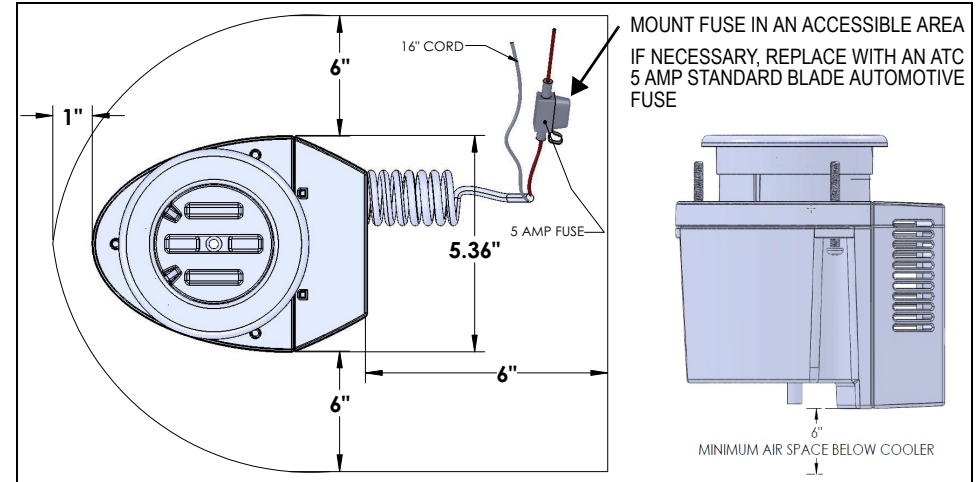
- **If the blue LED lights are NOT on when switch is on, then:**
  - Check for blown fuse on unit, on house battery, or an open circuit breaker.
  - Check for power at unit.
  - Make sure all electrical connections are tight.
  - Unit's high-heat cut off is at 150°F (65°C) and if reached, unit will shut down. This is usually caused by lack of air flow or high ambient temperature.
  - Verify polarity of DC voltage: Positive to positive and negative to negative.
  - If 12V DC power is available and unit is not working, unit needs to be replaced.

## WARRANTY

One year parts only from time of sale or ownership of boat. 24/7 Tech Support for USA & Canada: 8 AM to 5 PM ET - 800-542-2477; After hours & weekends - 888-440-4494.

## FIGURES

**Figure 1: Ventilation Space Required for Mounting Eskimo Cup**



**Figure 2: Dimensions & Key Components of Eskimo Cup (Back & Side views)**

