



Technical Data

Part # LLB-45RE-91-K1

RF Dimmer -

Receiver & Transmitter Kit

12V/96W - 24V/192W

32V/288W



This kit is pre-programmed

Kit Includes:

1 Receiver LLB-45RR-91-00

1 Transmitter LLB-45RF-01-00

Lunasea Lighting's professional RF Dimmer Receiver & Transmitter kit comes pre-programmed & offers convenience and total control for your LED lights!

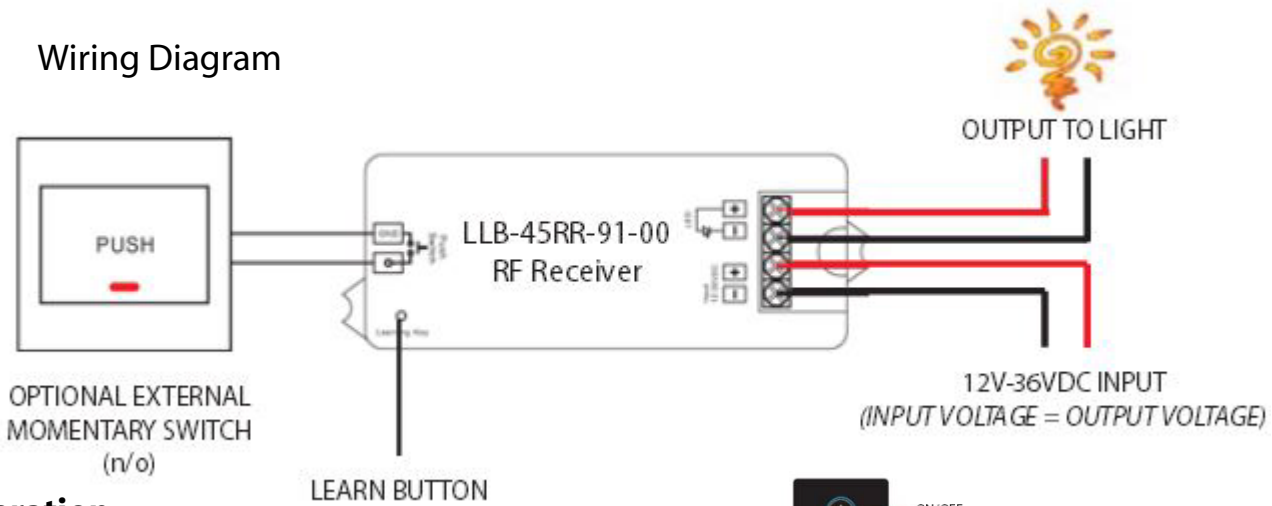
Receiver handles 8A and allows for hookup to a normally open switch for local dimming in addition to remote control. Small form factor easily fits in tight locations.

- Easy and convenient way to control lighting without wires
- Transmits up to 20 meters (65 feet)
- 1-100% dimming control (256 step)
- Easy pairing
- Remote includes long life battery (Cr2025)
- Remembers state it was when receiver power is removed
- Receiver can pair with up to 8 transmitters
- Operating Frequency 434MHz/868Mhz
- Receiver Voltage: 12-32VDC, 8A Output
- FCC Approved

Please note: To prolong battery life of remote during shipping, Batteries may be covered with thin clear plastic between the battery and the terminals, Please remove.

Remotes available!	
LLB-45RK-01-00	Single Zone Keychain Remote Control (battery operated)
LLB-45RT-01-00	Single Zone Tape Mounted Remote Control (battery operated)
LLB-45RF-01-00	Single Zone Portable Remote Control (battery operated)
LLB-45RG-01-00	Quad Zone, Portable Remote Control (battery operated)
LLB-45RX-91-00	Two Zone, Capacitive Touch Glass Remote, back light
LLB-45RZ-91-00	4 Zone, Capacitive Touch Glass Remote, back light

Wiring Diagram

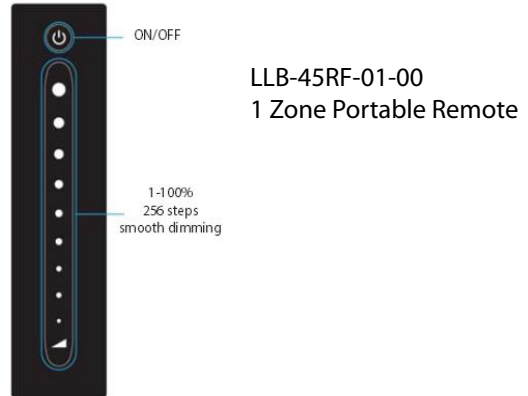


Operation

After installing receiver and attaching to power and lights you must pair your receiver with the remote.

1. With power on momentarily press the learn button on the receiver, then touch on remote. The light will blink once to signify that your receiver and remote are paired.

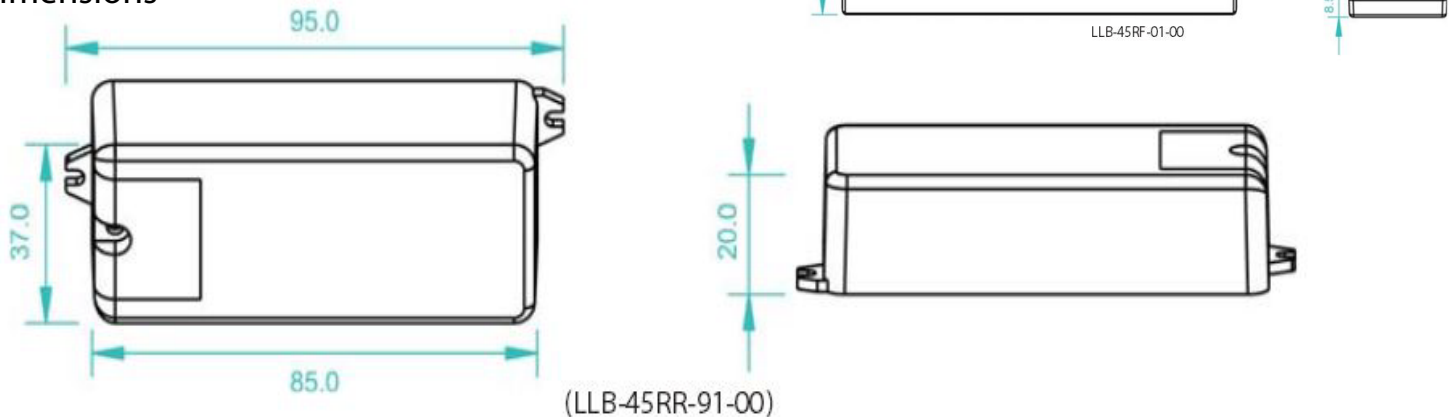
2. You can now power and dim your lights. To power on or off, simply press power button on top. To dim, run finger up or down on remote



To delete memory on receiver LLB-45RR-91-00

Long press the "Learning Button" for 5 seconds - **The receiver will delete memory of ALL paired remotes**

Dimensions



Safety Information:

- 1.) The product should be installed by a qualified person.
- 2.) IP20 – Do not install in direct sun. For outdoor installation, mount in a waterproof enclosure.
- 3.) Always be sure to mount this unit in an area with proper ventilation to avoid overheating.
- 4.) Install with power rated for this product.
- 5.) Never connect any cables while power is on and always assure correct connections to avoid short circuits before switching on.
- 6.) Ensure all wires are secured tightly in the connector.
- 7.) For updated information, please consult your Lunasea Lighting Supplier.