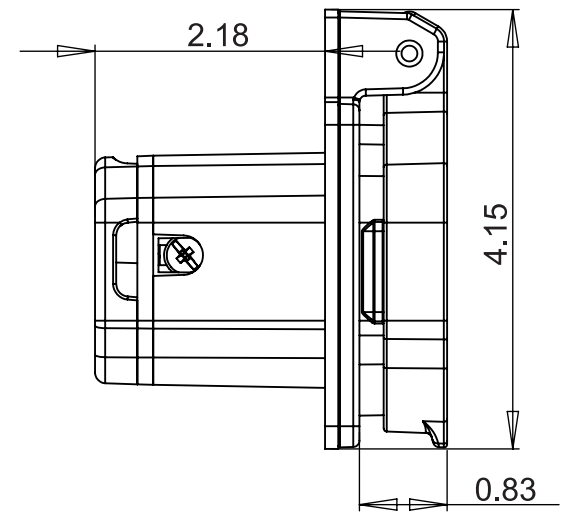
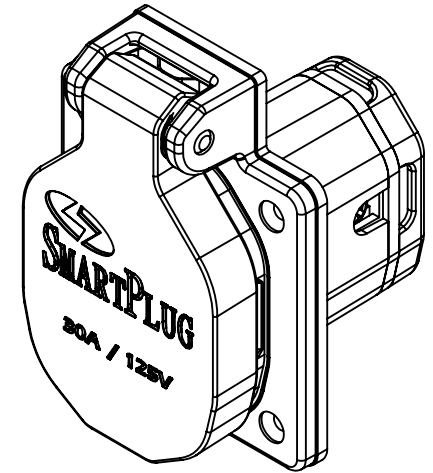
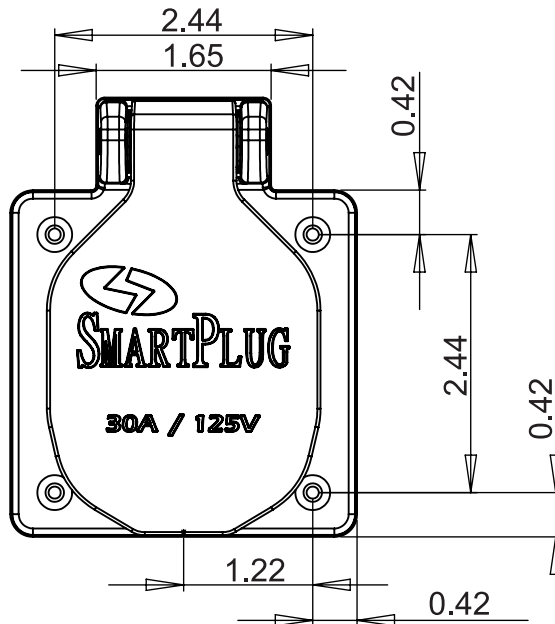
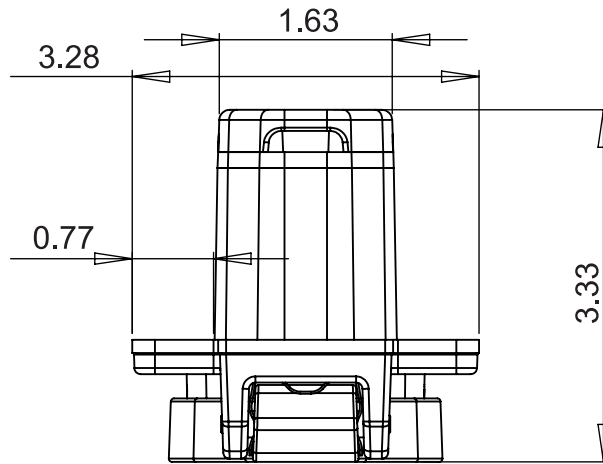
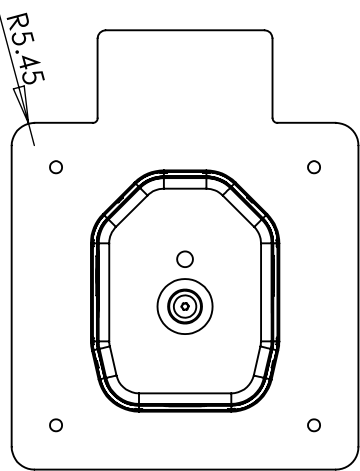
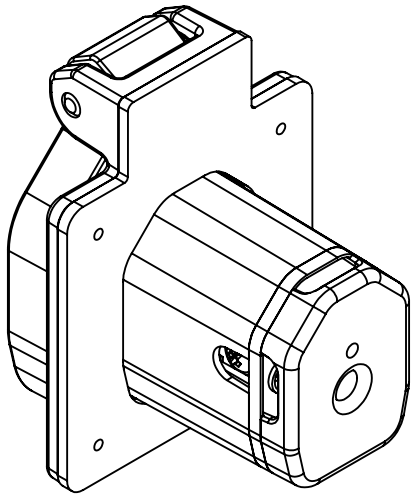




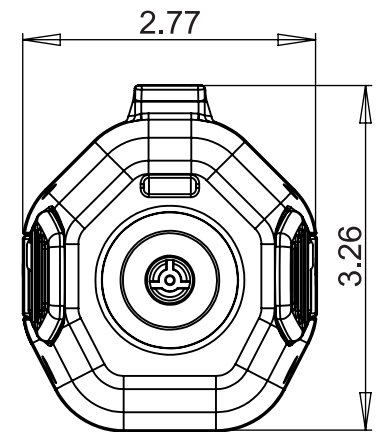
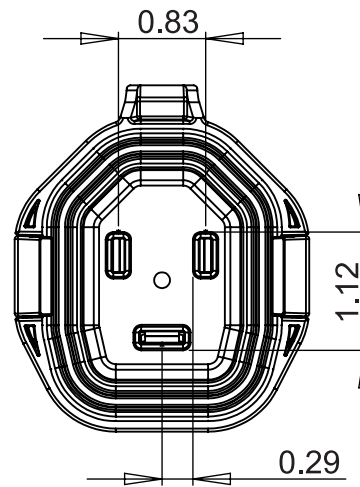
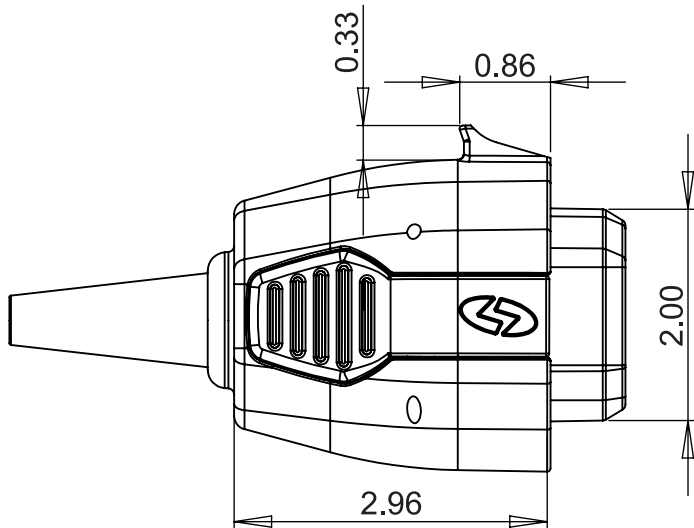
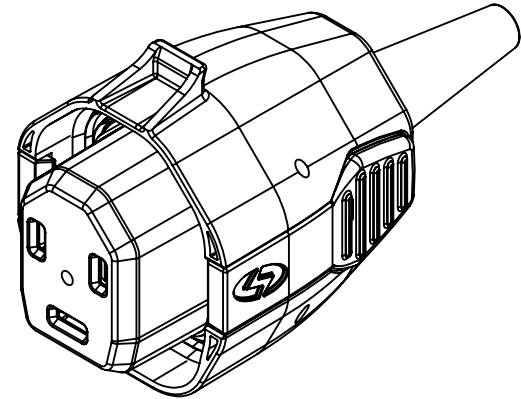
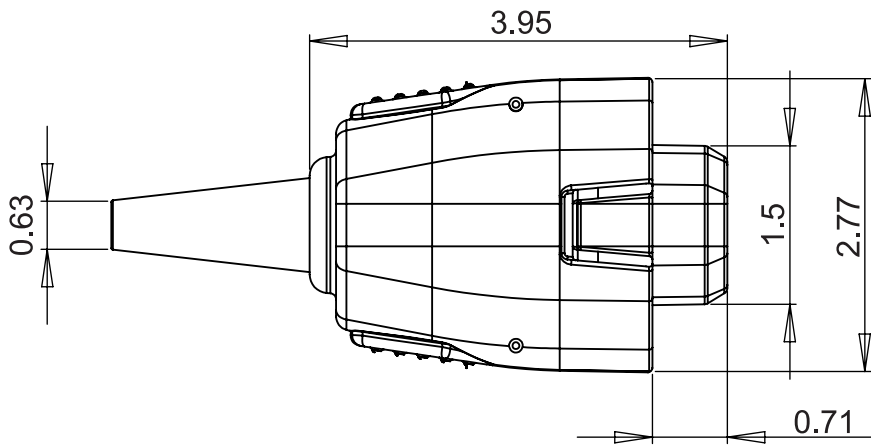
SmartPlug Inlet Dimension Details



DRAWING NOT TO SCALE = DIMENSIONS ARE IN INCHES



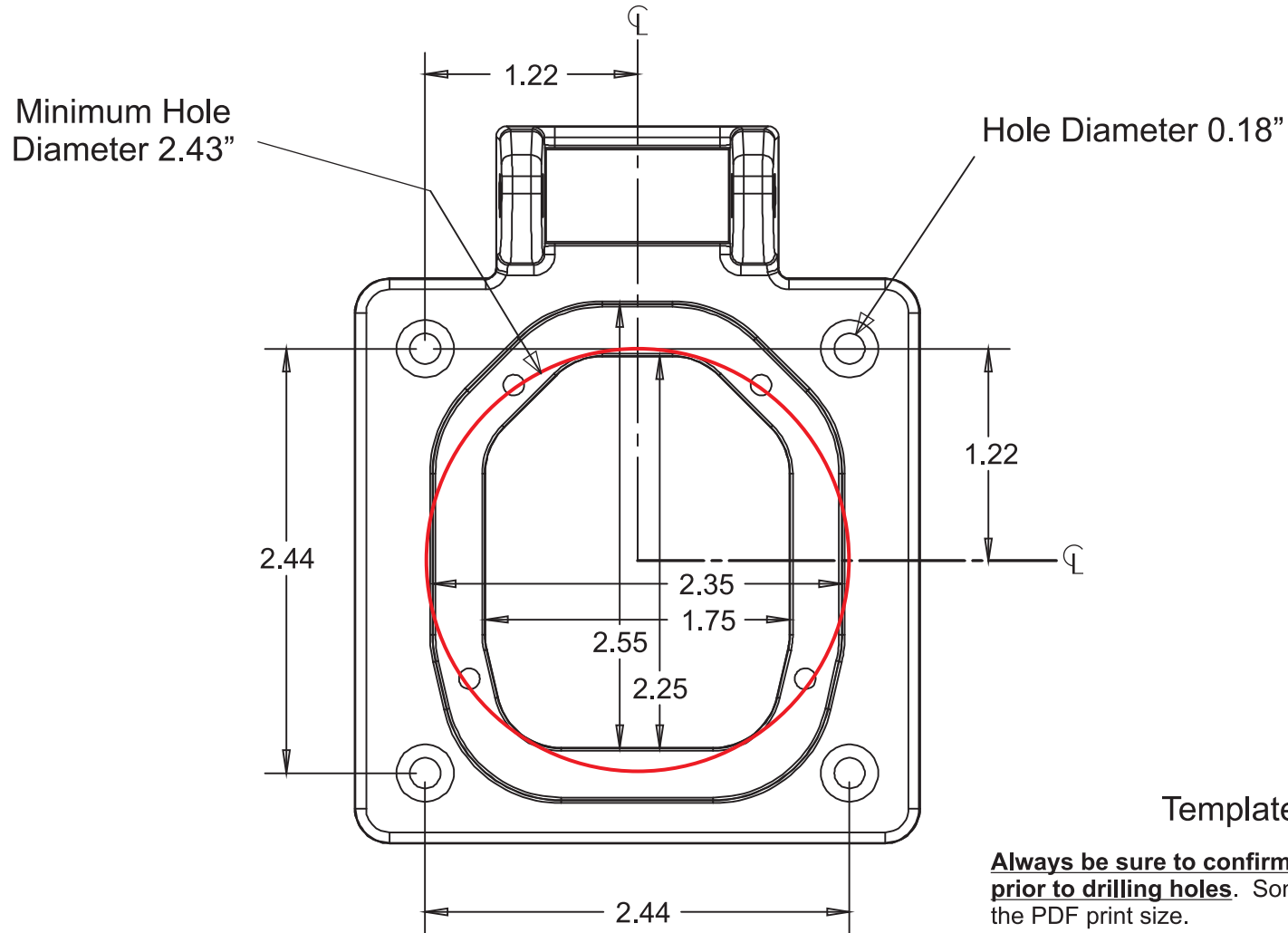
SmartPlug Connector Dimension Details



DRAWING NOT TO SCALE = DIMENSIONS ARE IN INCHES



Inlet Mounting Hole Template



Template To Scale

Always be sure to confirm template measurements prior to drilling holes. Sometimes printers will reduce the PDF print size.

DRAWING NOT TO SCALE = DIMENSIONS ARE IN INCHES