



IRIS090-IR Fixed Multi-Purpose Marine Camera with Infra-Red LED Illumination.



Introducing the New IRIS090-IR - The latest addition to Iris's range of marine grade (A316) Stainless Steel cameras.

Machined from billet A316 Stainless Steel, the IRIS090-IR offers exceptional image quality in a tough, stylish housing which also boasts IP68 waterproof protection.

The Sony Super HAD II CCD chipset produces crisp 700TVL resolution composite video which can be viewed on all major chart-plotters and monitors with exceptional low-light clarity. A built in photo-diode activates a ring of 24 infra-red LED's (850nm) for illumination to a distance of up to 50 feet in pitch black conditions.

The IRIS090-IR camera chipset features an extensive list of set up functions to achieve the best possible images in all conditions. During installation, activate the cameras on screen display using the plug in joystick configurator and navigate the set up menus to configure WDR (Wide Dynamic Range), DNR (Dynamic Noise Reduction), Image Stabilisation, White Balance, Image Mirror and Flip, and many many more features.

Available in PAL or NTSC formats, the IRIS090-IR is a seriously robust device which can be added to leisure marine, commercial, military and workboat applications alike. Perfect as a back-up or docking camera, for engine room monitoring, situational awareness and security. A high end, high quality and highly versatile choice of camera.

The IRIS090-IR measures less than 5cm in diameter and only 11.4cm long. It's fixing bracket allows full adjustment to achieve the perfect positioning during installation. The camera weighs 600g.

Key Features Include:

- A316 Marine Grade Stainless Steel Housing
- High Resolution 700TVL Sony Super HAD II Camera Module
- 24 Infra Red LED's for Night Visibility
- IR Range around 45~50 feet
- 2.3mm Lens provides 124° HFOV
- Compatible with Garmin, Raymarine, Furuno, Simrad, Hummingbird
- Day / Night Operation - Camera switches to mono in low light for improved image clarity
- Compact Form Factor: \varnothing 49mm x 114mm
- Weight: 600g
- IP68 Waterproof
- Power: 12VDC \pm 10% / Max 2.5W (300mA)
- Dynamic Noise Reduction
- Wide Dynamic Range Settings
- OSD Menu Driven Setup
- Standard / Mirror Switchable
- Available in NTSC & PAL Video Systems

Iris Innovations

UK Headquarters: Units 8&9 Swanwick Business Centre, Bridge Rd, Swanwick. Hants SO31 7GB. UK

USA Headquarters: 1515 SE17th St, Suite A133. Fort Lauderdale 33316. Florida. USA

Tel: (UK) +44 (0)1489 570797 / (USA) +1 (954) 533 9381. Email: info@boar-cameras.com

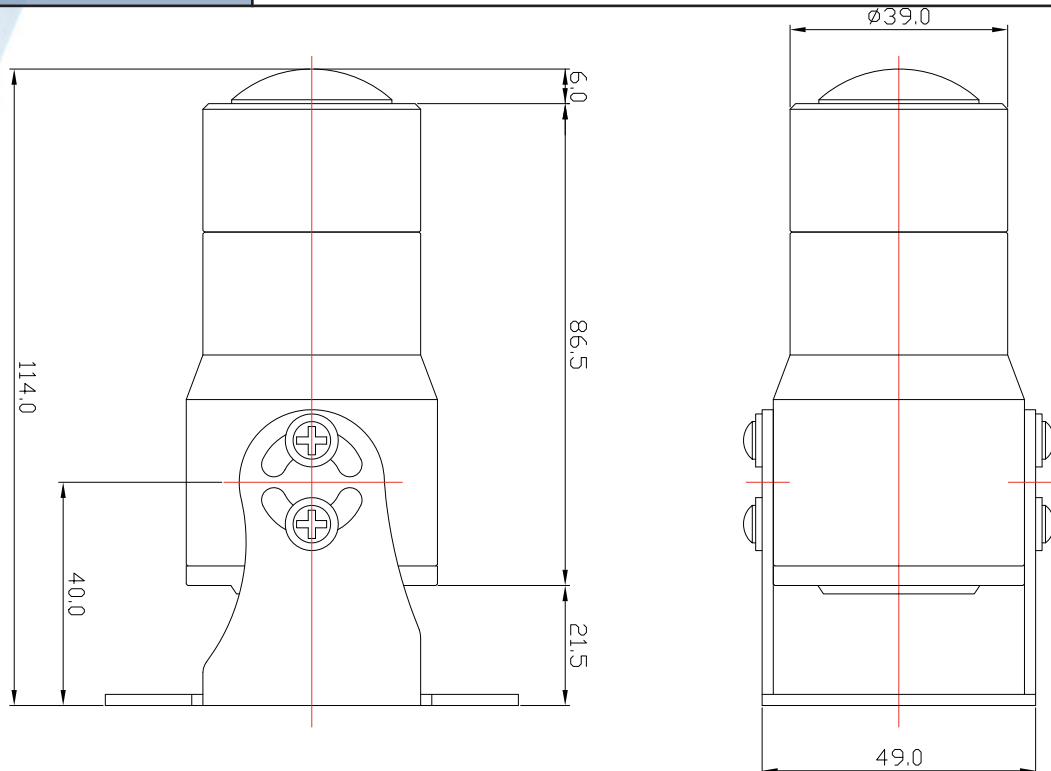
www.boat-cameras.com



IRIS090-IR Fixed IR Stainless Steel Camera Specifications

TV System	NTSC	PAL
Image Sensor	1/3" Sony Super HAD II CCD (960H)	
Number of Pixels (Horizontal)	976	976
Number of Pixels (Vertical)	494	582
Scanning Frequency (Horizontal)	15.734kHz	15.625kHz
Scanning Frequency (Vertical)	59.94Hz	50Hz
Resolution	Colour: 700 TV Lines	
Scanning System	2:1 Interlace	
Sync System	Internal	
Video Output	VBS 1.0V P~P 75Ω	
S/N Ratio	More than 52dB	
Minimum Illumination	0.0001 Lux (Sens-Up On)	
Electronic Shutter	1/60~1/100,000	1/50~1/100,000
Power Source	DC12V ±10%	
Power Consumption	Max 2.5W (300mA)	
Operating Temperature	-20°C ~ +60°C	
Operating Humidity	30%~90%	
Lens	Fixed 2.3mm (124° HFOV)	
Dimensions	ø49mm x 114mm	
Weight	0.6kg	

UNITS: mm



+1(954) 533 9381 / +44(0)1489 570797



info@boat-cameras.com