



IRIS740 2MP Network IP Thru-Hull Camera



Combining the high definition 2MP Network IP Camera engine from Iris's best selling IRIS402 Outrigger Camera with the NEW Barracuda Thru-Hull Housing, the IRIS740 delivers crisp, perfect 1080P digital underwater imaging.

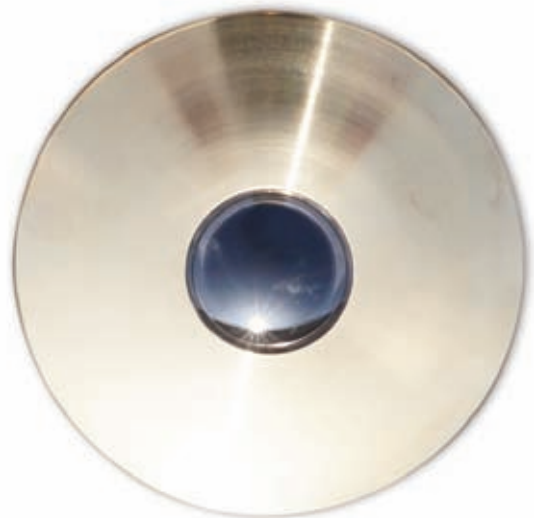
The IRIS740 has been designed to work as part of the new Fish-On sports fishing camera package, or in it's own right as a separate sub-surface camera..

Along with the other cameras in Iris's Barracuda range, the IRIS740 features simple plug and play connectivity with a single Power over Ethernet (PoE) connector to used to hook up to your on board network or dedicated NVR, such as the IRIS850. In addition, the camera module itself can be removed from the rear so that servicing can be carried out without having to lift the boat.

In line with the Barracuda range, the IRIS740 features an aluminium bronze bezel, hard anodized body and reinforced scratch resistant lens window. The PoE connector has an IP68 environmental rating and the unit is supplied with a field installable mating IP68 CAT5 plug.

Whether you're using the 740 to record your catches, wonder at the underwater sea life or viewing the performance of your props or running gear, you can be assured of top quality, high definition 1920x1080 resolution. When connected to a WiFi router, why not sit back and relax whilst watching the underwater world go by from your smartphone, tablet or laptop.

- 1920 x 1080P 2MP Resolution
- Up to 30fps @ 1080P Full HD
- Supports H.264, MPEG-4 & MJPEG triple codec compression with dual streams.
- IP68 Environmental
- PoE 802.3af Compliant
- ONVIF Profile S



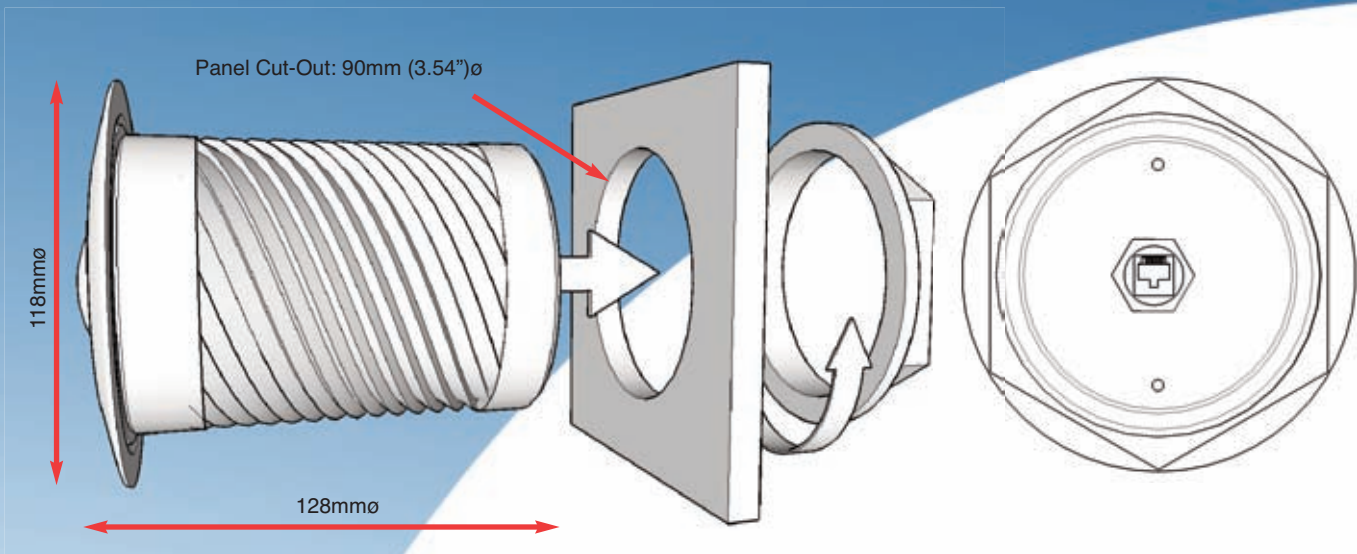
Iris Innovations

UK Headquarters: Units 8&9 Swanwick Business Centre, Bridge Rd, Swanwick. Hants SO31 7GB. UK

USA Headquarters: 1515 SE17th St, Suite A133. Fort Lauderdale 33316. Florida. USA

Tel: (UK) +44 (0)1489 570797 / (USA) +1 (954) 533 9381. Email: info@boat-cameras.com

www.boat-cameras.com



Technical Specifications

Bezel Material	Aluminum Bronze
Shaft Material	Hard Anodised Black Aluminium 6082 (HE30)
Bezel Diameter	118mm ϕ (4.65")
Hole Cut-Out	90mm ϕ (3.54")
Lens Material	Toughened Optically Clear Acrylic with anti-growth coating
Connector	Waterproof CAT5 RJ45 Connector - Screw Lock - IP68
Environmental	IP68
Weight	1.55kg
Power	PoE IEEE 802.3af
System	Embedded Linux, ARM based 32-Bit RISC Processor, 16MB Flash ROM
Video Compression	H.264, MPEG4, MJPEG
Resolution	Up to 1080P (1920 x 1080)
Frame Rate	30fps
Image Sensor	1/2.7" Progressive Scan CMOS Sensor
Lens	Board Type, 4.0mm F1.5, Fixed Iris
Image Settings	Wide Dynamic Range / Auto White Balance, Brightness, Contrast Saturation, Sharpness Image Flip / Mirror OSD Timestamp and Text Caption Overlay
Event Triggers	Motion Detection
Event Actions	Digital Output, Email Notification, FTP, SD with attached video clip or snapshot
On Board Storage	Micro SD Card (installed) 4MB.
Network Interface	10/100 Base-T ethernet
Network Protocols	IPv4, HTTP, HTTPS, SMTP, FTP, DHCP, NTP, TCP/IP, UpnP, RTSP/RTP/RTCP, DNS, DDNS, PPPoE, IGMP, QoS Bonjour, Samba, Multicast. Software device discovery tool exe supplied.
Approvals	CE / FCC EN55022:2010 Class A EN 6100-3-2006/A12009/A2:2009, EN61000-3-3:2008 EN55024:2010 (IEC 61000-4-2), IEC 61000-4-3, IEC 61000-4-5, IEC 61000-4-8

