

Cat No. 1091 Series Locks. Cat No. 1092 Series Latches.

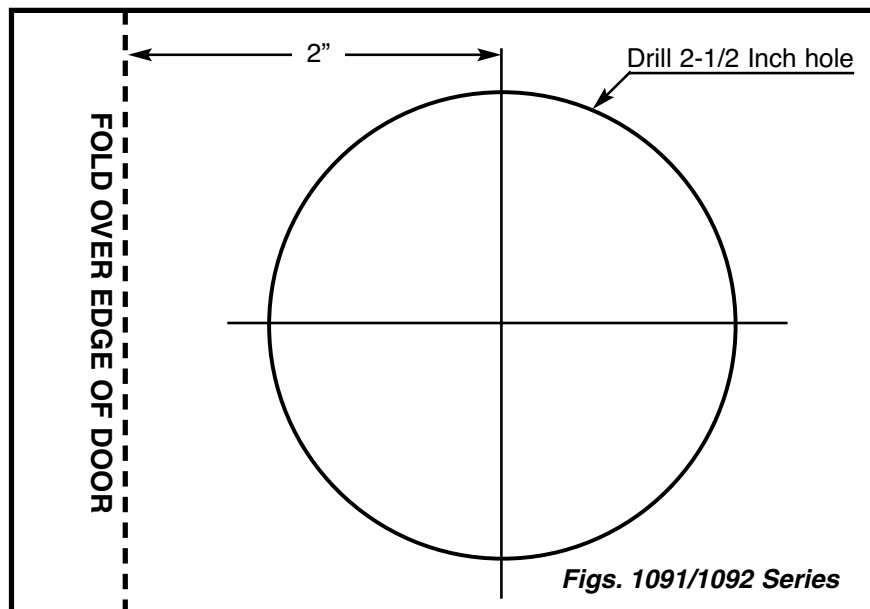
MOUNTING INSTRUCTIONS

These locks or latches are designed to be mounted through surfaces from 1/8 inch to 3/4 inches thick. The cam bars are adjustable to a maximum of 3 inches from the mounting surface.

- 1). Cut out the template below. Fold on dotted line. Place on mounting surface at desired location with folded tab overlapping edge.
- 2). Mark center of hole for drilling.
- 3). Drill a 2-1/2 inch hole through the mounting surface.
- 4). Use mounting gasket for smooth surfaces or discard for carpeted surfaces.
- 5). Insert lock or latch through the hole in the surface and attach spacer and back-up nut.
- 6). Re-assemble cam bar with proper adjustment. Tighten set screw and locking nut with lock washer.

Note: For continued ease of operation, periodically apply a lock cylinder lubricant.

MOUNTING TEMPLATE



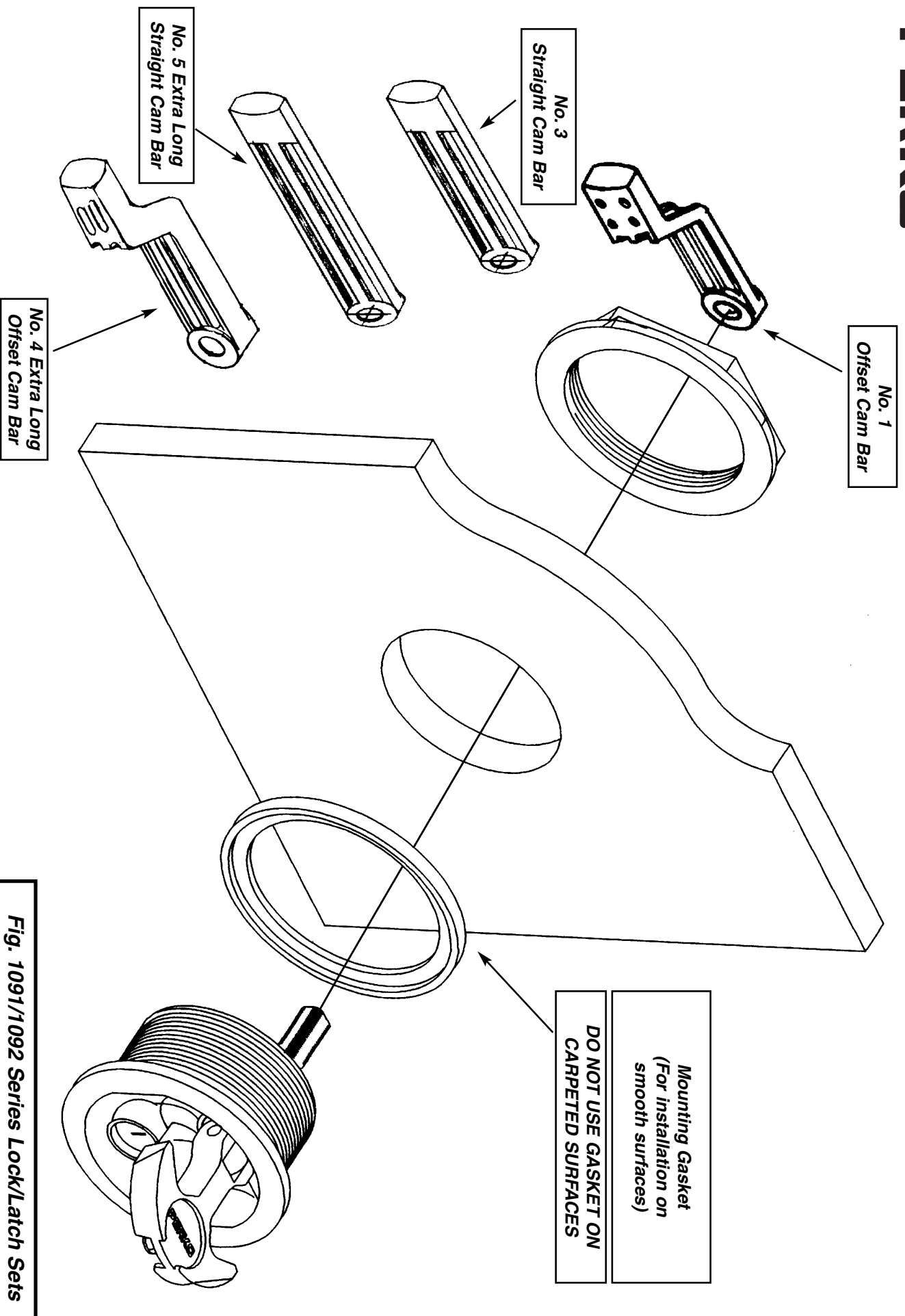


Fig. 1091/1092 Series Lock/Latch Sets