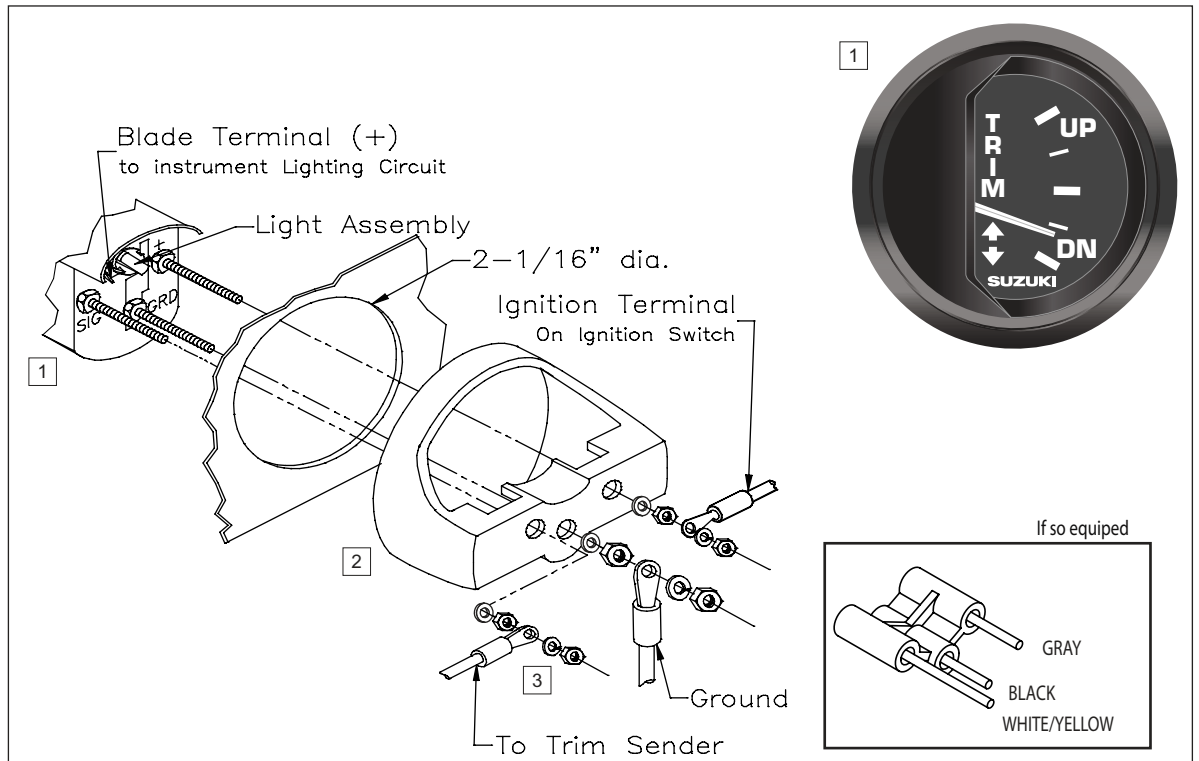


INSTALLATION INSTRUCTIONS

Description:	Trim Gauge	Part Number:	99105-80005/80105
Applications:	Suzuki Marine Boats	Installation Time:	1 HRS
NOTE:	Mounts in standard 2 1/16" hole.	Weight:	1 lbs

Contents

Ref.	Part Number	Description	QTY
1.	99105-80005/80105	Trim Gauge	1
2.	BC0037	Mounting Bracket	1
3.	Mounting Hardware		1



Tools Required

Ref.	Tools Description
1.	3/8" Nut Driver
2.	Suzuki Terminal Kit 09900-28701



Important

- ⚠ WARNING**
- ⚠ CAUTION**
- NOTE**

Please read this manual and follow its instructions carefully. To emphasize special information, the symbol **⚠** and the words **WARNING, CAUTION** and **NOTE** have special meanings. Pay special attention to the messages highlighted by these signal words:

NOTE: Indicates special information to make maintenance easier or instructions clear.

⚠ WARNING
Indicates potential hazard that could result in death or injury.

⚠ CAUTION
Indicates potential hazard that could result in vehicle damage.



! WARNING

- Different outboard and I/O manufacturers may not use the same trim sender values. Be sure you have selected the proper trim gauge for your application.

! CAUTION

- Disconnect battery during installation.
- Tighten nuts on backclamp only slightly more than you can tighten with your fingers. Six inch-pounds of torque is sufficient. Over tightening may result in damage to the instrument and may void your warranty.
- Gasket cement or other adhesive is not required to secure tubing to fittings.

Installation

1. It is recommended that you use the included color coded wire extension leads.

2. Cut a 2-1/16" dia hole in the dash and mount the gauge with the backclamp supplied.

3. To connect the instrument, align the keys on the gauge's wire harness plug with the engine trim harness (#36682-90J00) receptacle. Push the plug in gently until the catches snap in place.

4a. Connect THE BLACK extension wire to the stud marked "GND" (ground) and secure with a nut and lock washer and plug the bullet end into the black wire of the main engine harness.

4b. If this gauge kit includes a 3 prong stud connector, slide that connector over the three studs and proceed to step 6. Otherwise proceed to step 5.

5. Slide the WHITE/YELLOW wire FROM THE 2 pin connector over the stud marked "S" (signal) until it bottoms out. Slide BLACK wire FROM THE 2 pin connector over the stud marked "GRD" (ground) until it bottoms out.

6. Connect the gray extension lead stud connector to the positive (+) post terminal of the trim gauge. Plug the bullet end into the gray wire of the main engine harness.

7. Connect the GREEN/ORANGE extension lead TO THE blade terminal adjacent to the twist-out light assembly to the positive "+" side of the instrument lighting circuit and the bullet end to the boat lighting circuit. No separate ground is required for the lighting.

Reconnect the battery.

Mounting Hardware Kit




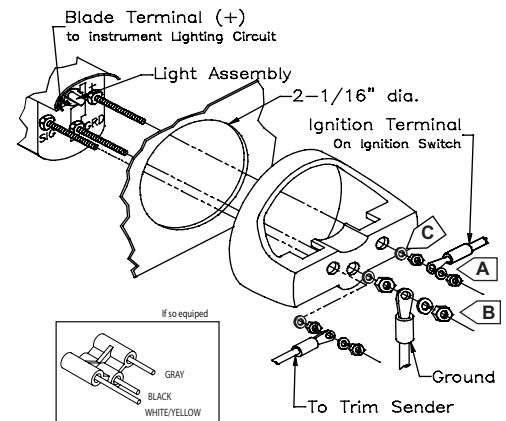
A		x 3
B		x 6
C		x 3

Figure 1

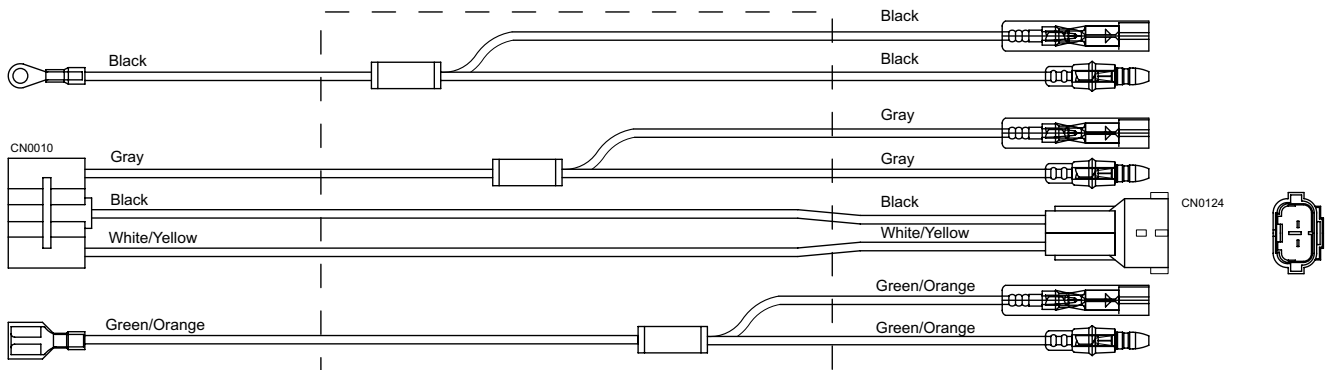


NOTE: To change the light bulb, twist out black socket assembly one-eighth turn counter-clockwise until it pops out. Bulb pulls straight out of assembly. It is a GE No. 161 instrument lamp.

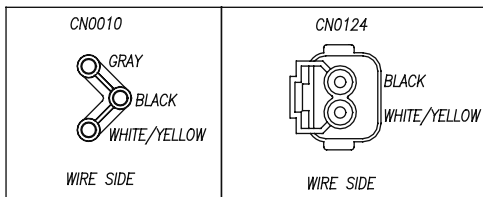
*For technical assistance, contact Faria® Marine Instruments customer service between 8:30 A.M. and 5:00 P.M. Eastern time weekdays at (860) 848-9271 or (800) 473-2742.

Harness Diagram

HN0411 rev A ecr 5609 8/05



CONNECTION DETAILS



Trouble Shooting

Trouble	Inspection	Diagnosis	Action
Gauge Sticks	A. Backclamp may be too tight.	1. Slightly loosen nuts holding backclamp. Check operation.	1. If gauge works and is not loose in panel continue using gauge. 2. If gauge continues to stick, replace gauge.
Gauge Inoperative	A. Test for voltage to the gauge. Use voltmeter or test light.	1. Turn power on. Connect one lead to ignition terminal, the other to ground terminal.	1. If 12 volts present connections are good. 2. If 12 volts are not present at terminals, check for power at key switch or fuse block. If power is available, replace leads to terminal.

