

4

3

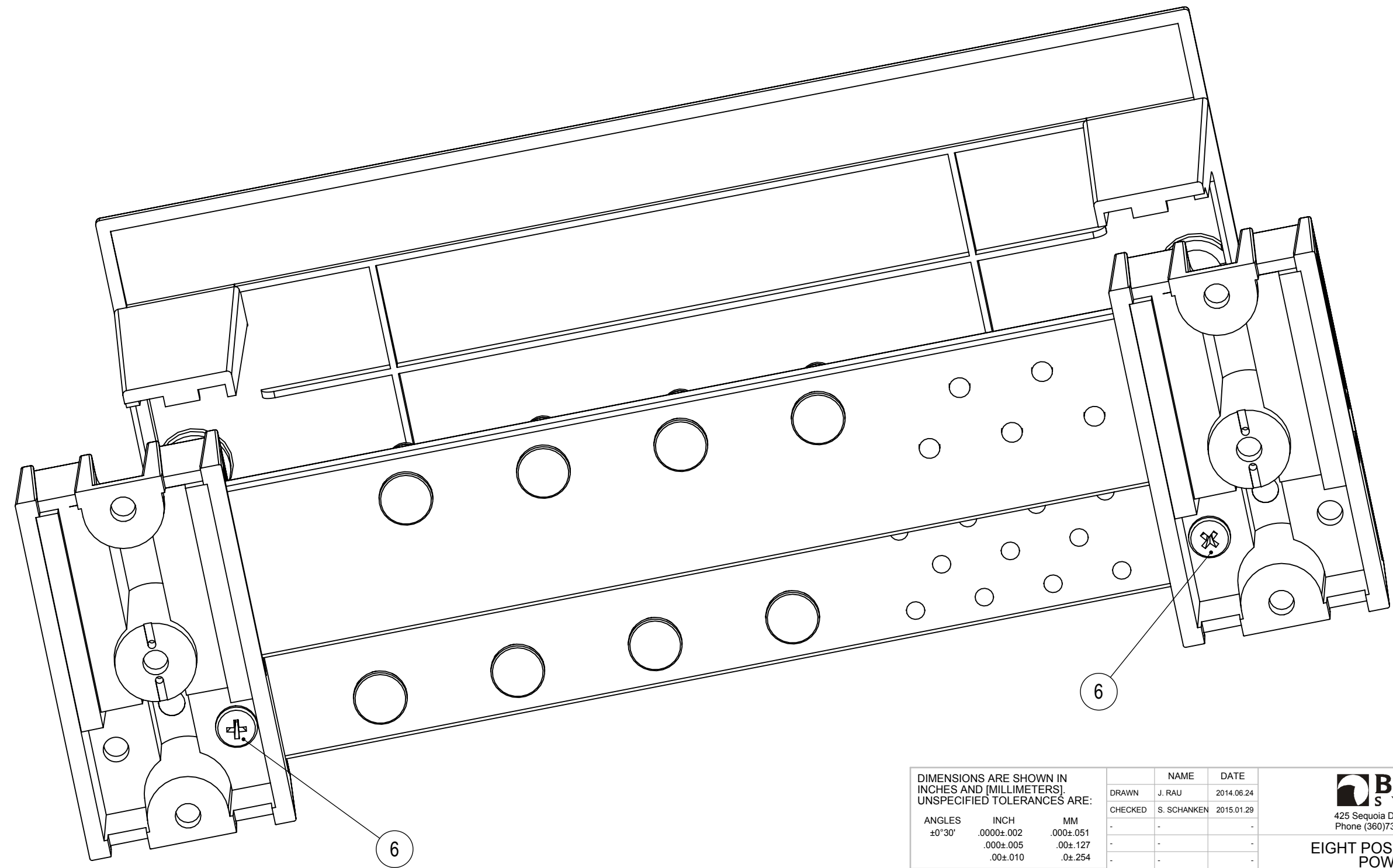
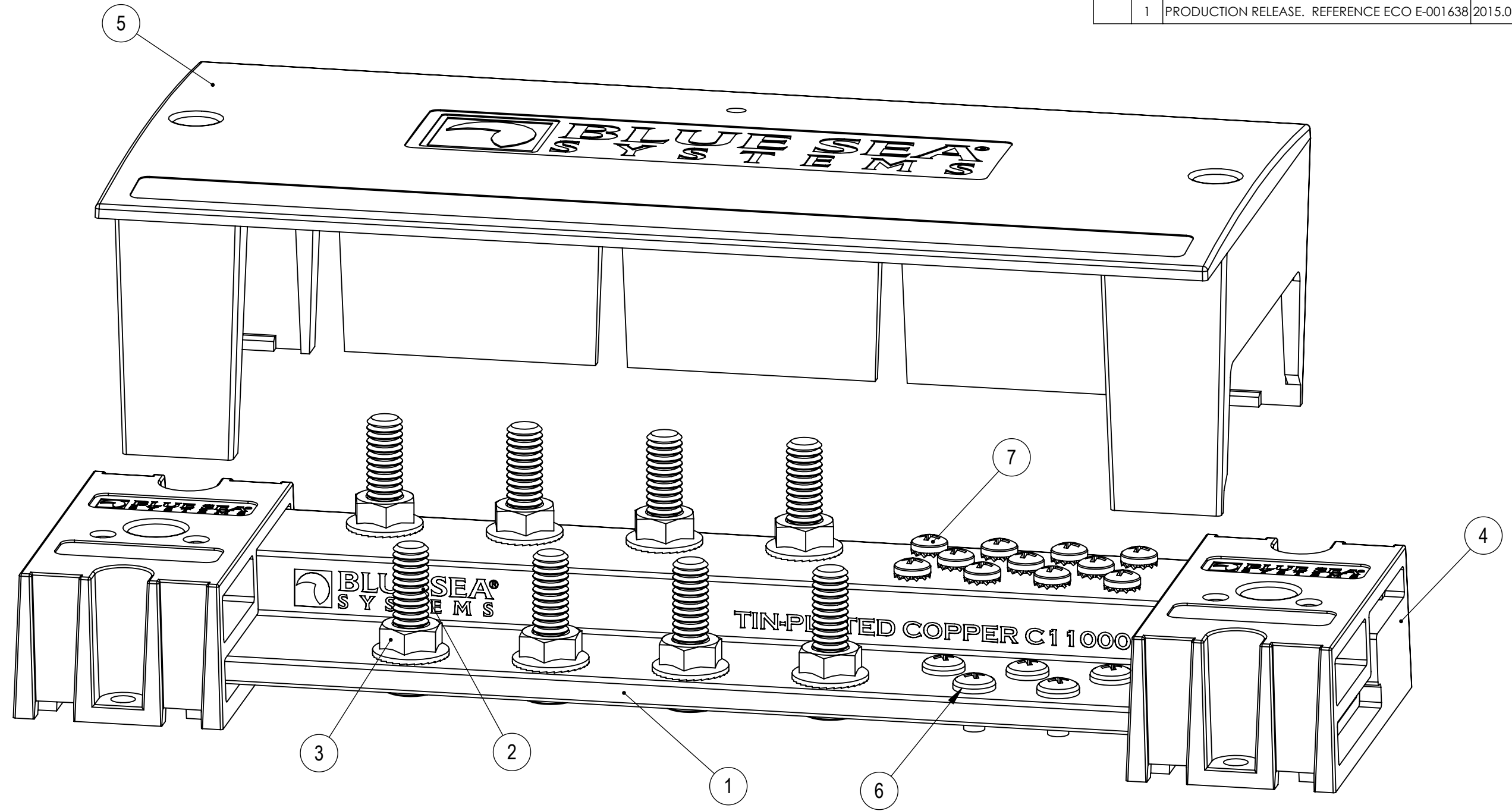
2

1

THIS DRAWING AND THE INFORMATION CONTAINED WITHIN IT ARE CONFIDENTIAL AND MAY NOT BE COPIED OR DISCLOSED WITHOUT THE WRITTEN PERMISSION OF BLUE SEA SYSTEMS.

| REVISIONS | | | |
|-----------|--|------------|----------|
| ZONE/REV. | DESCRIPTION | DATE | APPROVED |
| 0 | PART NUMBER AND DRAWING CREATION | 2014.06.24 | J. RAU |
| 1 | PRODUCTION RELEASE. REFERENCE ECO E-001638 | 2015.01.28 | J. RAU |

| ITEM NO. | PART NUMBER | DESCRIPTION | QTY. |
|----------|-------------|--|------|
| 1 | 980017490 | 8 Position 5/16" PowerBar 1000 Busbar | 1 |
| 2 | 980017880 | 5/16"- 18 x 1.25" Self-Clinching SS Stud | 8 |
| 3 | 980015440 | 5/16" Serrated Flanged Nut | 8 |
| 4 | 980017870 | PowerBar 1000 Support | 2 |
| 5 | 980017840 | 8 Position PowerBar 1000 Cover | 1 |
| 6 | 9325 | 10-24 x 3/8 Screw | 7 |
| 7 | 9950 | 8-32 x 5/16 Screw ETLW | 11 |



| DIMENSIONS ARE SHOWN IN INCHES AND (MILLIMETERS). UNSPECIFIED TOLERANCES ARE: | | |
|---|-----------|-----------|
| ANGLES | INCH | MM |
| ±0°30' | .000±.002 | .000±.051 |
| | .000±.005 | .00±.127 |
| | .00±.010 | 0±.254 |
| MATERIAL | ASSEMBLY | |
| FINISH | N/A | |
| DO NOT SCALE DRAWING | | |

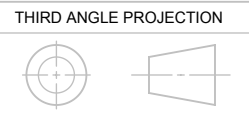
| NAME | DATE |
|---------------------|------------|
| DRAWN J. RAU | 2014.06.24 |
| CHECKED S. SCHANKEN | 2015.01.29 |
| | |
| | |
| | |
| | |

BLUE SEA SYSTEMS
 425 Sequoia Drive Bellingham, WA 98226
 Phone (360)738-8230 Fax (360)734-4195

EIGHT POSITION 5/16-18 STUD POWERBAR 1000
 Part Number 1992

| | | |
|------|----------|------|
| SIZE | DWG. NO. | REV. |
| C | 1992-1 | 1 |

SCALE 1:2 SHEET 1 OF 3



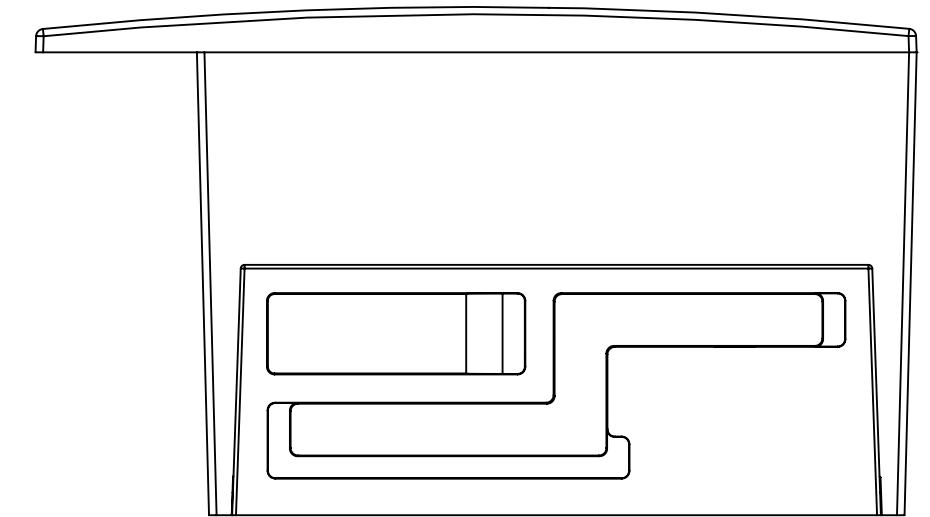
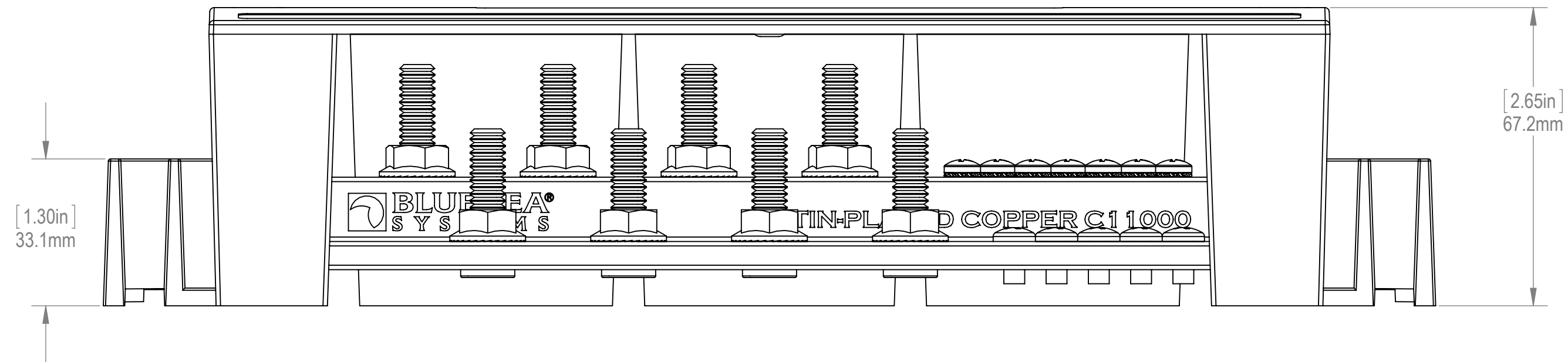
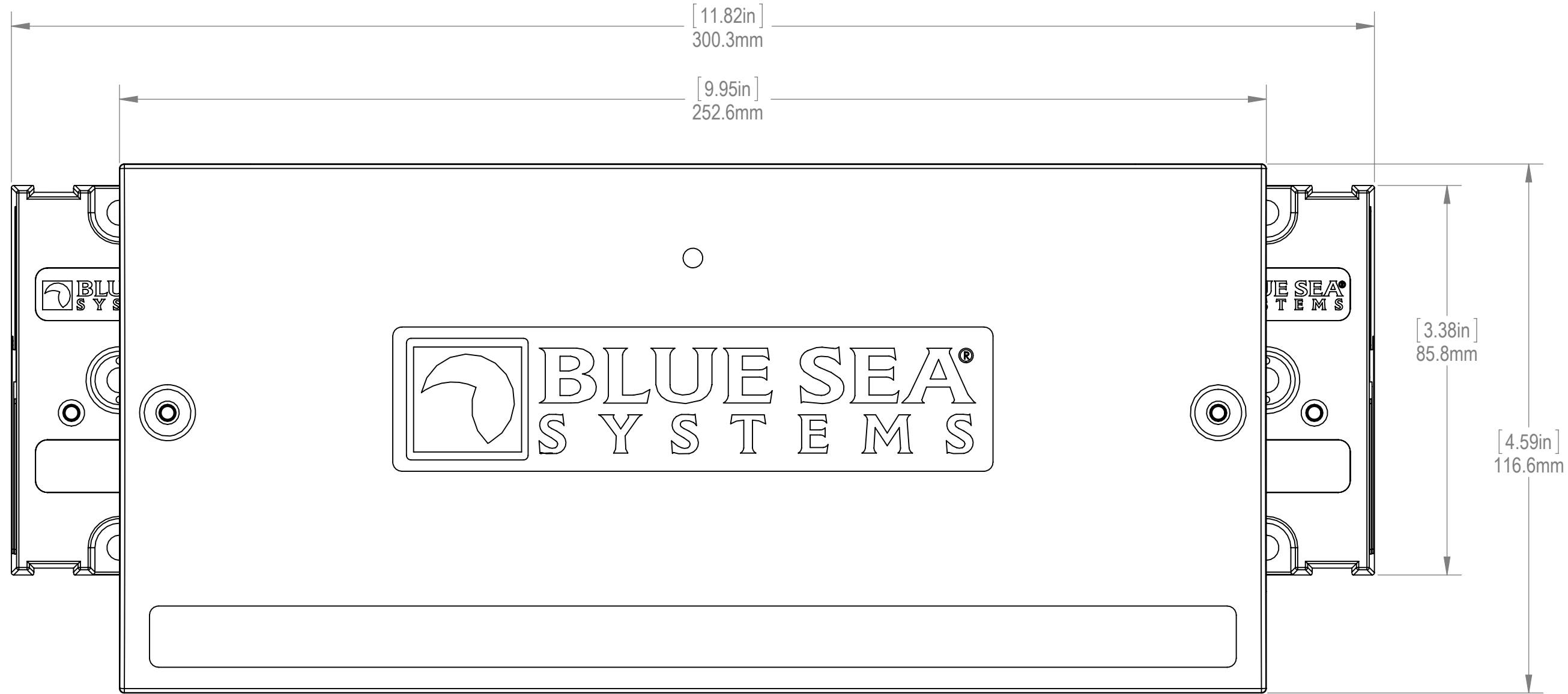
4

3

2

1

THIS DRAWING AND THE INFORMATION CONTAINED WITHIN IT ARE CONFIDENTIAL AND MAY NOT BE COPIED OR DISCLOSED WITHOUT THE WRITTEN PERMISSION OF BLUE SEA SYSTEMS.



THIRD ANGLE PROJECTION



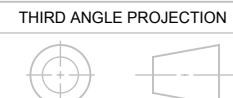
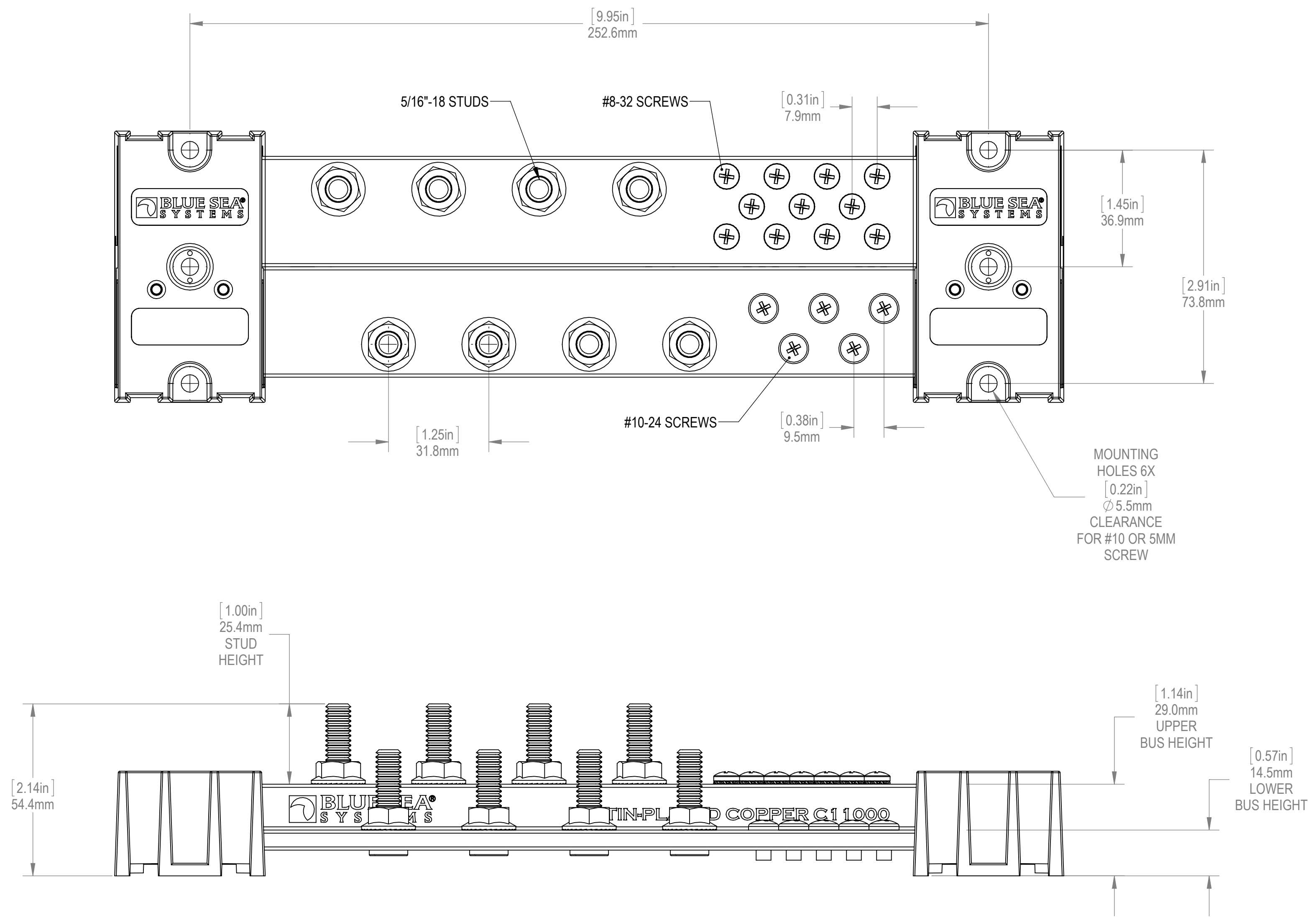
BLUE SEA SYSTEMS

425 Sequoia Drive Bellingham, WA 98226
Phone (360)738-8230 Fax (360)734-4195

**EIGHT POSITION 5/16-18 STUD
POWERBAR 1000**
Part Number 1992

| | | |
|-----------|--------------------|--------------|
| SIZE C | DWG. NO. 1992-1 | REV. 1 |
| SCALE 1:1 | | SHEET 2 OF 3 |

THIS DRAWING AND THE INFORMATION CONTAINED WITHIN IT ARE CONFIDENTIAL AND MAY NOT BE COPIED OR DISCLOSED WITHOUT THE WRITTEN PERMISSION OF BLUE SEA SYSTEMS.



BLUE SEA SYSTEMS
 425 Sequoia Drive Bellingham, WA 98226
 Phone (360)738-8230 Fax (360)734-4195

EIGHT POSITION 5/16-18 STUD POWERBAR 1000
 Part Number 1992

| | | |
|------|----------|------|
| SIZE | DWG. NO. | REV. |
| C | 1992-1 | 1 |

SCALE 1:1 SHEET 3 OF 3