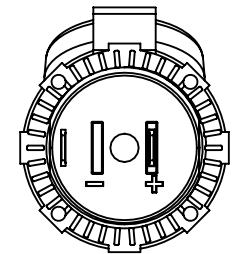
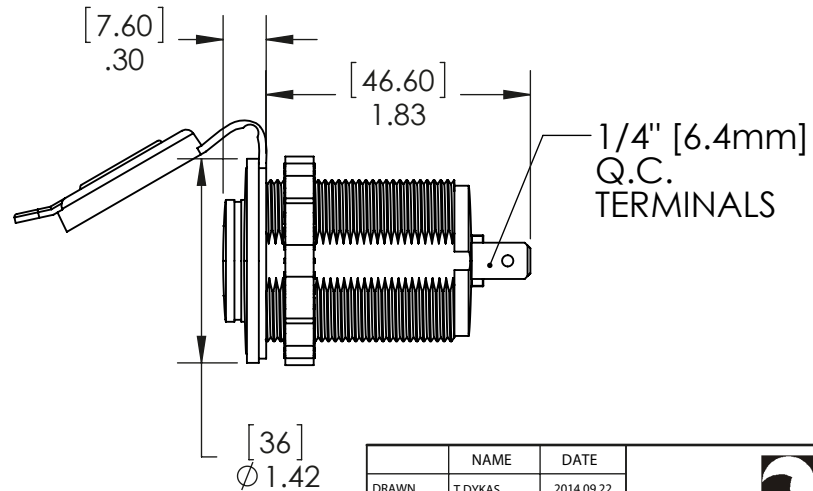
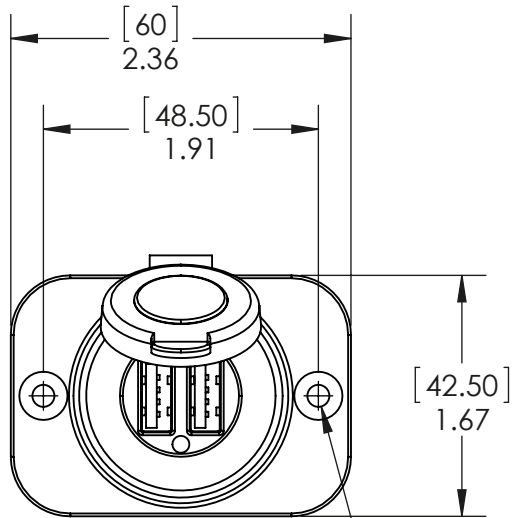
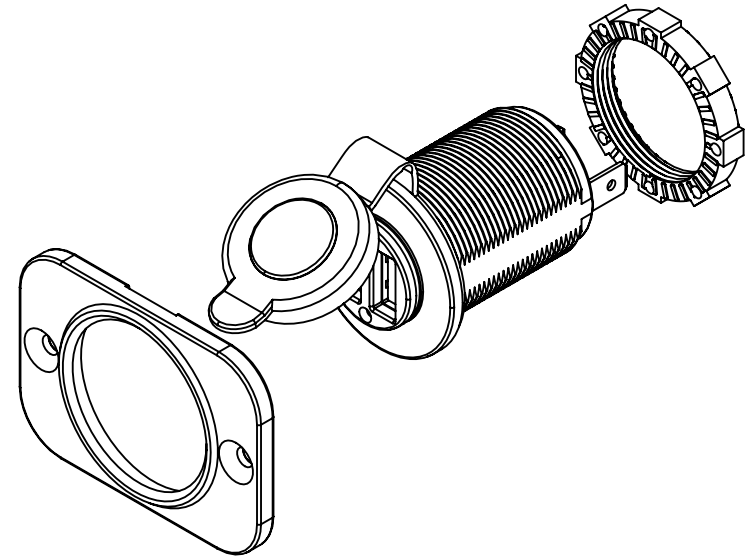
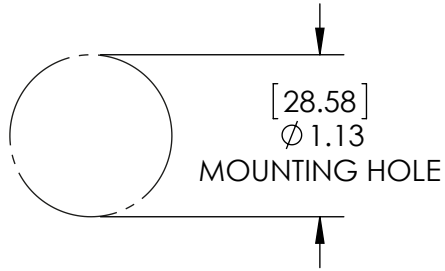
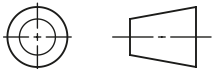


THIS DRAWING AND THE INFORMATION CONTAINED WITHIN IT ARE CONFIDENTIAL AND MAY NOT BE COPIED OR DISCLOSED WITHOUT THE WRITTEN PERMISSION OF BLUE SEA SYSTEMS.



SHOWN WITH INCLUDED,  
BUT OPTIONAL TRIM BEZEL  
CLEARANCE FOR #6  
MOUNTING SCREWS

THIRD ANGLE PROJECTION



	NAME	DATE
DRAWN	T.DYKAS	2014.09.22
CHECKED	-	-
-	-	-
-	-	-
-	-	-

COMMENTS:

-

**BLUE SEA SYSTEMS**

425 Sequoia Drive Bellingham, WA 98226  
Phone (360)738-8230 Fax (360)734-4195

Socket Dual USB Charger  
DC 12V Output 5V 2.1A

Customer Drawing

SIZE A	DWG. NO. 1016 - Socket Dual USB	REV. 2
SCALE 3:4	WEIGHT:	SHEET 1 OF 1