

# USER MANUAL

## Integrated Sensor Suite



For Vantage Pro2™, Vantage Pro2 GroWeather  
and Vantage Pro2 Plus™

**DAVIS** ®

Davis Instruments, 3465 Diablo Avenue, Hayward, CA 94545-2778 U.S.A. • 510-732-9229 • [www.davisnet.com](http://www.davisnet.com)

# Contents

Introduction ..... 1

Included Components and Hardware ..... 2

Prepare the ISS for Installation..... 5

Cabled ISS Assembly ..... 12

Wireless ISS Assembly ..... 15

Plan the ISS Installation ..... 20

Install the ISS..... 24

Maintenance and Troubleshooting..... 34

Contacting Technical Support..... 43

Appendix: Specifications ..... 44

## FCC Part 15 Class B Registration Warning

This equipment has been tested and found to comply with the limits for a Class B digital device, pursuant to Part 15 of the FCC Rules. These limits are designed to provide reasonable protection against harmful interference in a residential installation. This equipment generates, uses, and can radiate radio frequency energy and, if not installed and used in accordance with the instructions, may cause harmful interference to radio communications.

However, there is no guarantee that interference will not occur in a particular installation. If this equipment does cause harmful interference to radio or television reception, which can be determined by turning the equipment on and off, the user is encouraged to try to correct the interference by one or more of the following measures:

- Reorient or relocate the receiving antenna.
- Increase the separation between the equipment and receiver.
- Connect the equipment into an outlet on a circuit different from that to which the receiver is connected.
- Consult the dealer or an experienced radio/TV technician for help.

Changes or modification not expressly approved in writing by Davis Instruments may void the warranty and void the user's authority to operate this equipment.

FCC ID: IR2DWW6328

IC: 378810-6328

EC EMC Compliance

This product (models 6152, 6153, 6163, 6322, 6323, 6327, 6328, 6334, 6820, 6825 OV EU UK) complies with the essential protection requirements of the Radio Equipment Directive 2014/53/EU. RoHS compliant. The complete Declaration of Conformity is on our website at <https://www.davisnet.com/legal>. RoHS Compliant.

# Introduction

---

The Integrated Sensor Suite (ISS) collects outside weather data and sends the data to a Vantage Pro2 console. The wireless ISS can also transmit data to wireless Vantage Connect, Vantage Vue console, Envoy8X, or wireless Weather Envoy. The wireless ISS is solar-powered and sends data via radio. The cabled ISS sends data via cable to one cabled Vantage Pro2 console, cabled Weather Envoy, or cabled Vantage Connect and receives power via the console, Envoy or Vantage Connect cable.

---

**Tip:** *One wireless ISS can transmit to any number of receivers within its range, so you can add additional consoles to use in different rooms.*

---

All Vantage Pro2 ISSes include a rain collector, temperature sensor, humidity sensor and anemometer. Temperature and humidity sensors are mounted in a passive or fan-aspirated radiation shield to minimize the impact of solar radiation on sensor readings. The anemometer measures wind speed and direction and can be installed adjacent to the ISS or apart from it. See “Locating the ISS and Anemometer” on page 20 for siting guidelines.

The transmitter shelter contains the “brain” of the ISS: the sensor interface and the transmitter. It collects outside weather data from the ISS sensors and then transmits the data to your Vantage Pro2 console, Vantage Vue console (wireless only), Weather Envoy, Envoy8X (wireless only), or Vantage Connect.

Other versions of the ISS have additional features:

- **Wireless Vantage Pro2 with Fan** (product number 6153): Includes a 24-Hour Fan-Aspirated Radiation Shield.
- **Wireless and cabled Vantage Pro2 Plus** (product numbers 6162 & 6162C):+ Includes a pre-installed solar radiation sensor and an ultra-violet (UV) radiation sensor.
- **Wireless Vantage Pro2 Plus with Fan** (product number 6163): Includes UV and solar sensors, and a 24-Hour Fan-Aspirated Radiation Shield.
- **Wireless Vantage Pro2 with Solar and Daytime Fan** (product number 6334): Includes a solar sensor (for ET readings) and a Daytime Fan-Aspirated Radiation Shield.
- **Wireless and cabled GroWeather** (product numbers 6820 & 6820C) include a Daytime Fan-Aspirated Radiation Shield to minimize the impact of solar radiation on sensor readings and a solar radiation sensor.
- **Wireless and Cabled GroWeather with 24-Hour Fan-Aspirated Radiation Shield** (product number 6825 & 6825C) and solar radiation sensor

---

**Tip:** *Separate Solar Sensor (prod. no. 6450), UV Sensor (prod. no. 6490), Sensor Mounting Shelf (prod. no. 6673), and Daytime Fan-Aspirated Radiation Shield (prod. no. 7747) are available to upgrade a standard ISS.*

---

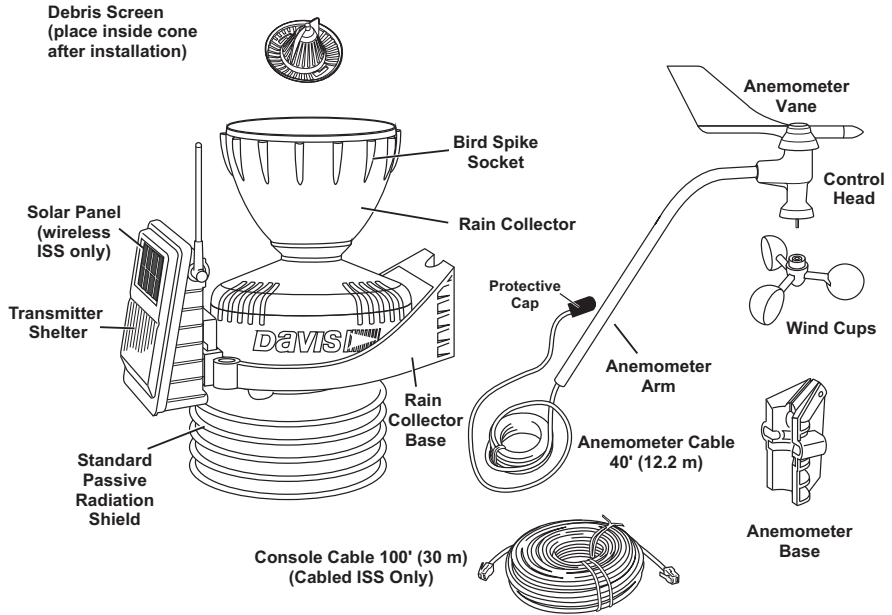
---

## Included Components and Hardware

The ISS comes with all the components and hardware shown in the following illustrations. If you purchased your ISS as part of a weather station package containing the Vantage Pro2 console, additional components may be included in the package that are not shown here.

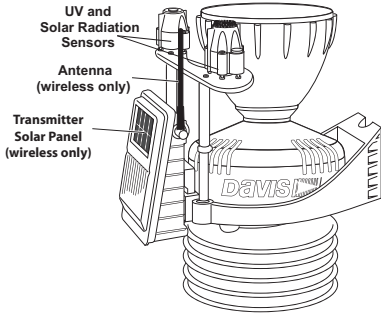
## Components

### VANTAGE PRO2 ISS with standard radiation shield

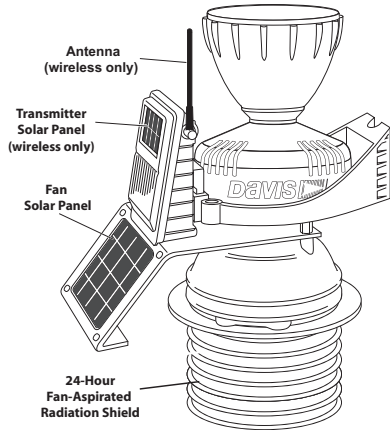


Other versions of the ISS have additional features and parts:

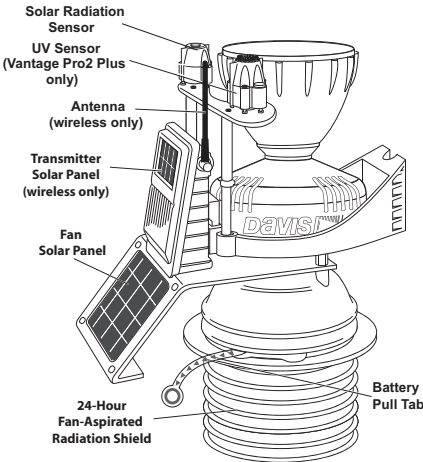
**VANTAGE PRO2 PLUS  
with Standard Radiation Shield**



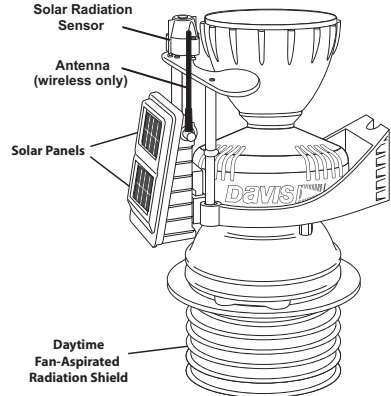
**VANTAGE PRO2  
with 24-Hour Fan-Aspirated Shield**



**VANTAGE PRO2 PLUS and GroWeather  
with 24-Hour Fan-Aspirated Shield**

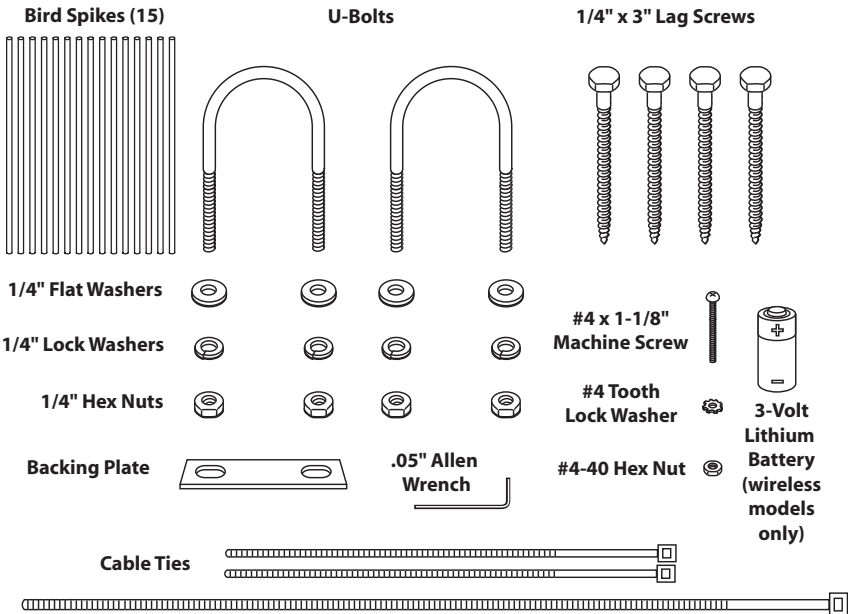


**GroWeather  
with Solar Radiation Sensor  
and Daytime Fan-Aspirated Shield**



**Note:** If the ISS has UV and solar radiation sensors, do not touch the small white diffusers on top of the sensors. Oil from skin reduces their sensitivity. If you are concerned that you have touched the diffusers at any time during the installation, clean the UV diffuser with a soft cloth.

# Hardware (Included)



Some of the hardware is optional based on how the ISS is assembled and installed.

**Note:** If any of the hardware components are missing or not included, contact Customer Service toll free at 1-800-678-3669 about receiving replacements.

## Tools for Setup

- Small Phillips head screwdriver (electric if possible)
- Adjustable wrench or 7/16" wrench
- Compass or local area map
- Ballpoint pen or paper clip (or other small pointed object)
- Drill and 3/16" (5 mm) drill bit (if using lag bolts)
- Small hammer (if installing optional bird spikes)

# Prepare the ISS for Installation

Follow the steps in the order they are presented as each builds on tasks completed in previous steps. These steps apply to all versions of the ISS, unless otherwise noted.

**Tip:** Use a well-lit work table or work area to prepare the ISS for installation.

## Assemble the Anemometer

The anemometer measures wind direction and speed. The anemometer arm comes partially assembled with the wind vane attached.

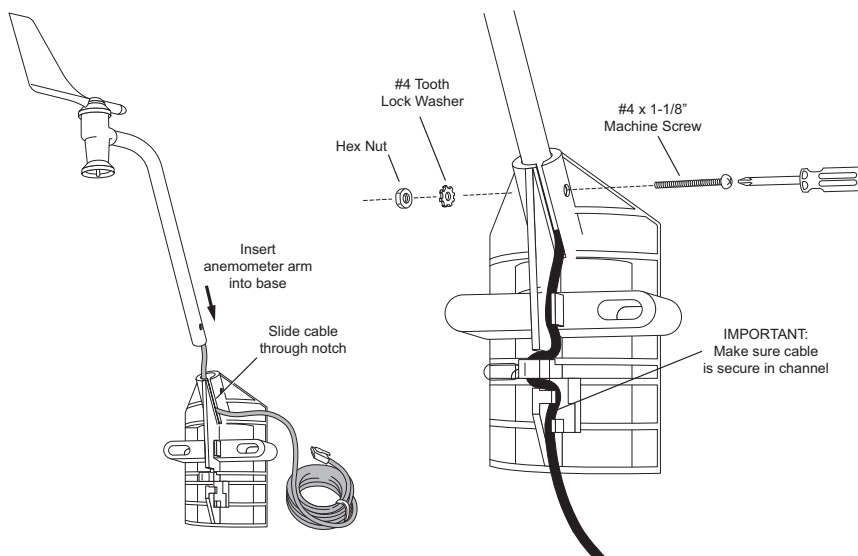
**Note:** Do not remove the vane.

Please locate the following parts to prepare the anemometer:

- Anemometer arm (wind vane and cable already attached)
- Anemometer base
- Wind cups
- Allen wrench (0.05")
- #4 machine screw, #4 tooth-lock washer, #4 hex nut

### Attach the Anemometer Arm to Base

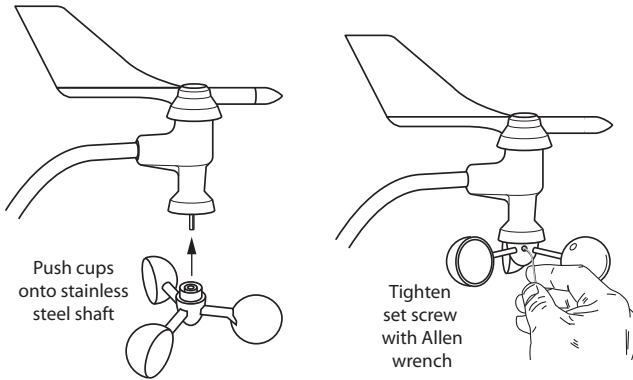
1. Insert the anemometer arm into the base, sliding the cable through the notch in the base as shown in illustration.
2. Be sure to line up the small hole in the arm with the holes in the base.
3. Insert the machine screw through the holes in the base and arm. It may be helpful to use a screwdriver to insert the screw.



- 
- Slide the tooth-lock washer and hex nut onto the machine screw. Tighten the hex nut while holding the screw with a Phillips head screwdriver to prevent it from turning.
  - Press the sensor cable firmly and completely into the zig-zagging channel in the base, starting from the arm and progressing downward to the bottom of the base. This provides strain relief for the cable.

### Attach the Wind Cups

- Push the wind cups up onto the anemometer's stainless steel shaft, sliding them up the shaft as far as possible.



*Attaching the Wind Cups*

- Use the Allen wrench provided to firmly tighten the set screw on the side of the wind cups.  
The wind cups should drop slightly when you let go.
- Spin the wind cups. If they spin freely, the anemometer is ready and can be set aside while you prepare the rest of the ISS for installation.

---

**Note:** If the wind cups don't spin freely, take them off and repeat the wind cup installation process.

---



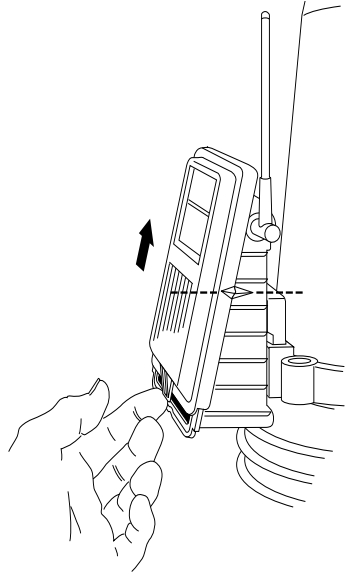
---

## Check Sensor Interface Connections and Connect the Anemometer Cable

The sensor interface is located in the transmitter shelter on the front of the ISS station. It contains all the connections for the weather sensors of the ISS. Follow the steps below to check the sensor interface and ensure that all sensors are connected properly.

### Open the Transmitter Shelter

1. Locate the white box with the solar panel containing the sensor interface on the front of the ISS unit. The cabled model does not have a solar panel.
2. Locate the white tab at the bottom center of the shelter cover.
3. Pull the tab away from the box while sliding the cover up.
4. Look on the side of the shelter. The box cover can be easily removed from the box when the alignment indicator on the cover is lined up with the alignment indicator on the box.
5. Pull the cover off the box, being careful not to stress the solar panel cable when removing the cover.
6. The sensor interface is visible once the cover has been removed.



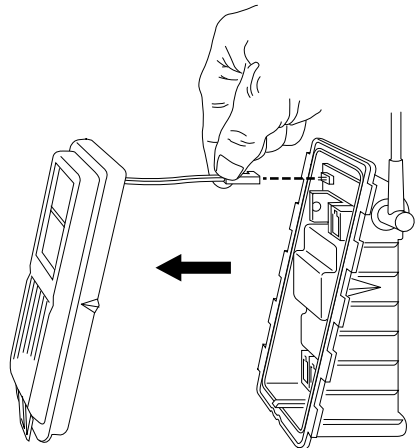
---

**Note:** See "Sensor Interface" on page 46 for information on locating the components and points of interest on the sensor interface.

---

### *Optional: Disconnect the solar panel connection wire (wireless versions) and the fan cable (fan versions)*

The solar panel on the box cover is connected to the sensor interface by a wire. If your ISS has a fan, the fan cable will also connect the cover to the sensor interface. If the cover cannot be set aside while still connected to the sensor interface safely, those cables can be disconnected.



---

## Check the Factory Installed Sensor Connections

1. Verify that the rain collector and temperature/humidity sensor cables are plugged into the receptacles labeled RAIN and TEMP/HUM on the sensor interface.
2. If your ISS includes UV and/or solar radiation sensors, verify that the sensor cables are plugged into the receptacles labeled UV and SUN on the sensor interface.

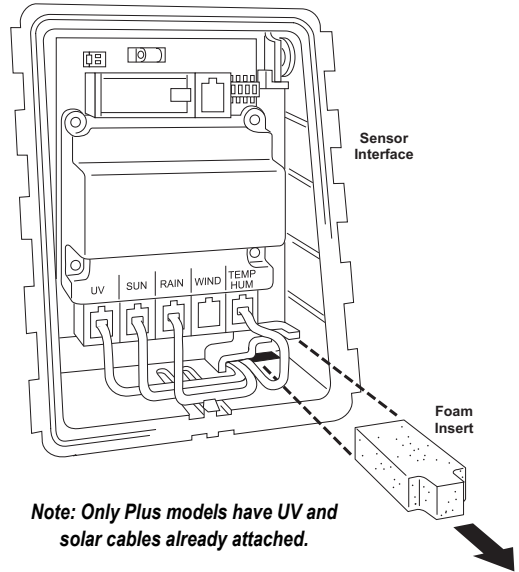
## Connect the Anemometer Cable to the Sensor Interface

---

**Note:** The anemometer comes with 40 feet (12 meters) of cable to allow for mounting the anemometer separately from the rain collector and other sensors. The cable is coiled and secured at the factory with enough cable unwound from the coil to allow you to work with it and to allow the anemometer to be mounted on the same pole as the rain collector.

---

1. Remove the protective cap from the RJ jack on the anemometer cable.
2. Pull the foam insert out of cable access port and set the foam insert aside.
3. Insert the anemometer cable end into the cable access port from beneath the box.
4. Slide the cable through the cable access port with the connector lever down.
5. Firmly insert the end of the anemometer cable into the connector labeled WIND. The lever clicks into place.
6. Firmly insert the foam in between the cables and at the top of the cable access port, taking care to ensure that the foam seals the access port entirely, leaving no holes or gaps large enough for weather or insects. You may have to stack the cables to allow the foam to fit.



---

**Note:** If you are assembling a cabled station, wait to reinsert the foam until cable assembly is complete. See "Cabled ISS Assembly" on page 12.

---

---

## Prepare the Rain Collector

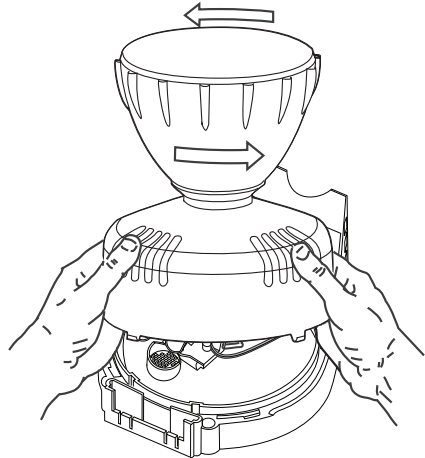
The tipping mechanism is secured at the factory to protect it from damage during shipping.

---

**Note:** Be careful not to scratch the silver-colored coating on the tipping spoons under the cone.

---

1. Remove the rain collector cone from the ISS base by rotating the cone counter-clockwise. When the cone's latches line up with openings in the base, lift the cone off the ISS base.



Twist off the rain collector cone

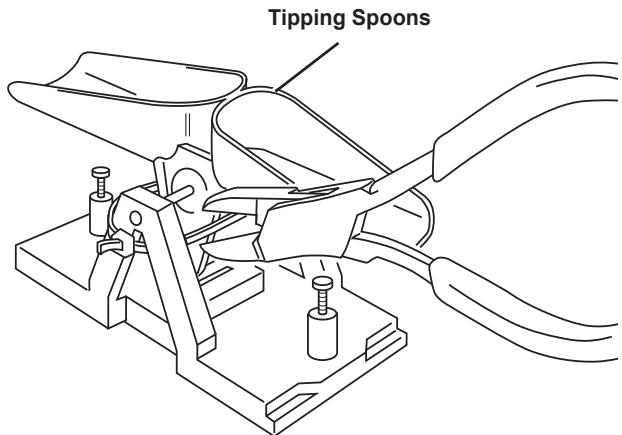
---

**Tip:** When new, the cone fits tightly in the base and may require extra pressure to remove. Steady the ISS base between your knees when removing the cone.

---

2. Carefully cut and remove the plastic tie that holds the tipping spoons in place during shipping (usually yellow or white in color).

3. If desired, insert the Metric Measurement Adapter. See “Optional: Insert the Metric Measurement Adapter” on page 10.
4. Temporarily reinstall the rain collector cone until you are ready to mount the ISS outside.



Cut the plastic tie

---

## Optional: Insert the Metric Measurement Adapter

The rain collector tipping spoon mechanism takes measurements in 0.01" (US versions) or 0.2 mm (M, EU, UK and OV) increments for each tip of the spoons. If you have a US version and would like to convert it to a metric measurement, you can insert the metric adapter that is included in your hardware kit.

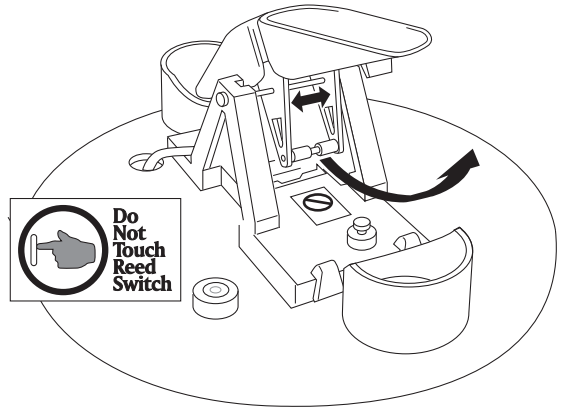
---

**Note:** Inserting the metric measurement adapter converts the rain collector to take measurements in 0.2 mm increments for each tip of the spoons. The console must be configured to 0.2 mm as well. See the Vantage Pro2 Console User Manual for more information.

---

To install the metric adapter:

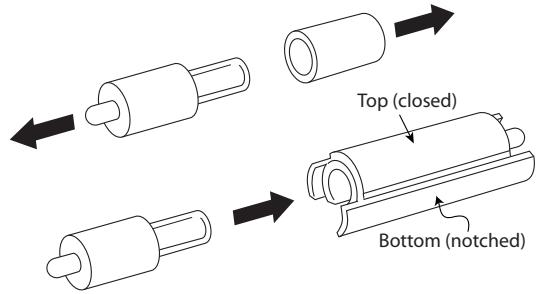
1. Find the metric adapter included in the hardware.
2. Locate the magnet between silver-colored, V-shaped arms of the tipping spoons.
3. Open the arms slightly with one hand while pulling the magnet out with the other.



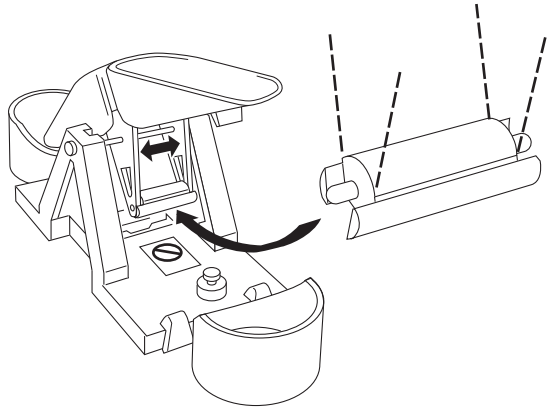
---

4. Separate an end cap from one end of the magnet.

5. Slide the magnet, exposed end of magnet first, into the open slot of the metric adapter.



6. Insert the metric adapter and magnet between the arms of the spoons, with the top (solid side) of the metric adapter facing up.



### Next Steps

- See “Cabled ISS Assembly” on page 12 for assembling a **cabled** Vantage Pro2 system
- See “Wireless ISS Assembly” on page 15 for assembling a **wireless** Vantage Pro2 system.

# Cabled ISS Assembly

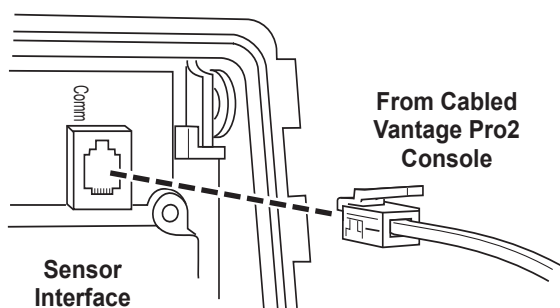
---

## Apply Power and Verify Communication with the Console

The 100' (30 m) console cable provides power to the ISS and is used to send data from the ISS to the console. The console cable can be extended up to 1000' (305 m) in length with extension cables purchased from Davis Instruments.

With the console powered, plugging the console cable into the console powers the ISS and establishes communication between the ISS and the console.

1. Locate the 100' console cable included with your system.
2. Pull the foam insert out of cable access port, if it has been reinserted. Insert the console connector cable end into the cable access port from beneath the sensor interface box. Slide the cable through the cable access port with the connector tab down.
3. On the sensor interface, firmly insert either end of the 4-conductor cable into the modular receptacle labeled COMM.



4. If you haven't powered up the console yet, refer to the installation instructions in the *Vantage Pro2 Console User Manual* and apply power to the console.
5. On the bottom of your console, insert the other end of the console cable into the modular receptacle labeled "ISS."
6. Firmly insert the foam in between the cables and at the top of the cable access port, taking care to ensure that the foam seals the access port entirely, leaving no holes or gaps for weather or insects. See the graphic on page 8 for more information on inserting the foam insert.
7. If the console is in Setup Mode, press and hold DONE until the Current Weather screen displays. A flashing "X" in the lower left hand corner indicates that the console is receiving data. Sensor readings from the ISS should display on the screen.

---

## Verify Data from the ISS Sensors

1. Near the center of the screen, look for the outside temperature (TEMP OUT).
2. Spin the wind cups to check wind speed, pressing WIND if necessary to alternate between speed and direction in the compass rose.
3. Turn the wind vane and allow five seconds for the wind direction display to stabilize before moving it again.
4. Approximately one minute after power-up the outside relative humidity (HUM OUT) reading should be displayed on the console.
5. Check to see if your console is receiving rain readings. On your console screen, look for the DAILY RAIN display. Remove the rain collector cone and tip the spoon, then wait to see if the display registers a rain reading. Each tip indicates 0.01" or 0.2 mm of rain and may take up to a minute to register at the console. If the spoons are tipped too quickly, the number on the console display may not change.
6. If the ISS contains a UV sensor and/or solar sensor, press 2ND and then press RAIN YR for current ultraviolet readings or press 2ND then press RAIN DAY for solar radiation readings.

The UV reading displays in the center of the console. The solar reading displays in the bottom right corner of the console display. UV and solar readings should be zero or close to zero if the ISS is inside. Zero is a valid reading. Dashes(-- ) are displayed if no data comes from the sensors.

7. Current weather data displayed on the console confirms communication.

Once the ISS has been powered and the console has successfully received accurate readings from all the sensors, prepare the ISS for installation. Continue on to "Plan the ISS Installation" on page 20 for more information.

If there is a communication problem between the wireless ISS and the console, see below: "Troubleshooting Cabled ISS Communication" on page 14.

To make installation easier at a location, disconnect the console cable from the sensor interface. Remove the foam and slide the cable out through access port. Once a location for both the ISS and the console has been arranged, reinsert the cable through the access port, into the console connector, and reinsert the foam.

---

## Troubleshooting Cabled ISS Communication

If the console is not receiving sensor readings from the ISS, please try the following troubleshooting procedures.

- Check the console to make sure it is being powered with the AC adapter supplied in the Vantage Pro2 package or three C batteries.

---

**Note:** The batteries are intended for backup power, or for testing during set up, but they will drain quickly if used to power a cabled console. You should always use the AC adapter to power your system for normal use. The supplied adapter is a 5-volt positive center AC to DC adapter. Other adapters may not work if the voltage or adapter type is different.

---

- Make sure the cable is firmly plugged into the ISS jack on the console.
- Make sure that the cable is firmly plugged into the jack labeled COMM on the sensor interface.
- Verify that all sensor cables are firmly plugged in.
- A green LED indicator light on the sensor interface flashes each time the ISS transmits a packet, which is about once every 2.5 seconds. If the LED remains dark, there is no power to the ISS. Call Technical Support. See “Contacting Technical Support” on page 43.

See “Sensor Interface” on page 46 for information on locating the LED indicator light.

If the console is still not receiving readings, ensure that the console is in Setup Mode and reboot the console by disconnecting the AC power adapter from the console and removing the console batteries for at least 30 seconds. If the console is still not displaying sensor readings from the ISS after powering back up, please contact Davis Technical Support.



# Wireless ISS Assembly

---

The ISS has a wireless connection to a Vantage Pro2 wireless console or other receiver. Once the anemometer has been installed and the sensor connections have been checked, the ISS must be powered and a wireless communication channel must be established between the ISS and the console. Follow these steps:

- Apply power to a wireless ISS
- Verify communications with the console
- Verify data from the ISS sensors
- Troubleshoot ISS reception

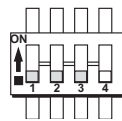
## Applying Power to a Wireless ISS

Insert the included 3-volt lithium battery into the sensor interface, matching the “+” sign on the battery with the “+” sign on the sensor interface. Once powered, the ISS immediately begins transmitting data to the console. Energy from the solar panel is stored for power at night. The battery is an alternative power source the sensor interface uses when it is depleted of energy.

## Checking Transmitter ID

A Vantage Pro2 console can receive data from up to 8 different wireless stations. The default Transmitter ID for the ISS and console is 1.

In most cases it will not be necessary to change the Transmitter ID. The console and ISS should begin communicating automatically when power is applied.



Settings for Transmitter ID 1:  
DIP Switch 1 = OFF  
DIP Switch 2 = OFF  
DIP Switch 3 = OFF

---

**Note:** If there is another Davis weather station within range of your console or Vantage Connect, you should change the Transmitter ID. Remember to use the same ID for the ISS and console. See “Optional: Changing ISS Transmitter ID” on page 18.

---

## Verifying Communication with the Console

1. Power the console if it does not already have power. Refer to the *Vantage Pro2 Console User Manual* and apply power to the console.  
The console automatically enters Setup Mode when powered up.
2. If the console is not in Setup Mode, press and hold DONE then press the down arrow. The message RECEIVING FROM... and STATION NO. followed by the Transmitter IDs that the console detects displays on the console screen.
3. Look for the ISS Transmitter ID. The number 1 displays unless the Transmitter ID has been changed. If the ISS Transmitter ID is displayed, the ISS is detected.

---

**Note:** If the console does not display the number of the ISS Transmitter ID setting, see “Troubleshooting Wireless ISS Reception” on page 17 for more information. It can take several minutes for the console to acquire and display all the available Transmitter IDs.

---

4. Press and hold DONE to view ISS data once the ISS Transmitter ID displays.
-

---

## Verifying Data from the ISS Sensors

Use these steps to verify reception of ISS data at the wireless Vantage Pro2 console and to test the operation of the ISS sensors.

1. If the console is in Setup Mode, press and hold DONE until the Current Weather screen displays. A flashing “X” in the lower right hand corner indicates that the console is receiving data packets. This may take a few minutes.  
Sensor readings from the ISS should display on the screen.
2. Near the center of the screen, look for the outside temperature (TEMP OUT).
3. Spin the wind cups to check wind speed, pressing WIND if necessary to alternate between speed and direction in the compass rose.
4. Turn the wind vane, and allow 5 seconds for the wind direction display to stabilize before moving it again.
5. Approximately one minute after receiving data, the outside relative humidity (HUM OUT) reading should be displayed on the console.
6. If the ISS contains a UV sensor and/or solar radiation sensor, press 2ND and then press RAIN YR for current ultraviolet readings or press 2ND then press RAIN DAY for solar radiation readings.
7. The UV reading displays in the center of the console. The solar reading displays in the bottom right corner of the console display. UV and solar readings should be zero or close to zero if the ISS is inside. Zero is a valid reading — dashes are displayed if no data comes from the sensors.
8. Current weather data displayed on the console confirms successful communication.

Once the ISS has been powered and the console has successfully received accurate readings from all the sensors, prepare the ISS for installation. Continue on to “Plan the ISS Installation” on page 20 for more information.

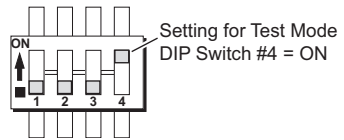
If there is a communication problem between the wireless ISS and the console, see “Troubleshooting Wireless ISS Reception.” below.

---

## Troubleshooting Wireless ISS Reception

If the console isn't displaying data from the ISS, perform the following steps:

1. Verify that the console is powered and is not in Setup Mode.
2. Make sure that all ISS sensor cables are firmly connected to the sensor interface and the ISS battery is properly installed.
3. Walk around the room with the console, standing for a few moments in various locations, to see if you are picking up signals from the ISS. Look on the screen's lower right corner. An "X" toggles on and off when the console receives a transmission packet. If an "R" appears, the console is trying to find the signal. If an "L" appears, the console is in "sleep" mode and will not try to find the signal until it "wakes up." See your *Vantage Pro2 Console User Manual* for more information.
4. If you do not see the "X" slowly blinking, no matter where you stand with the console, put your ISS in Test Mode.
  - The DIP switch #4 on the sensor interface is the Test Mode switch. Switch it to the ON position, using a ball-point pen or paper clip.
  - In test mode, a green LED indicator light on the sensor interface flashes each time the ISS transmits, which is about once every 2.5 seconds.



See "Sensor Interface" on page 46 for information on locating the components and points of interest on the sensor interface.

5. If the LED remains dark, there is a problem with the ISS transmitter. Call Technical Support. See "Contacting Technical Support" on page 43.
6. If the LED flashes repeatedly but your console isn't picking up a signal anywhere in the room, it could be related to one of the following causes:
  - You changed the ISS Transmitter ID at the ISS or console, but not at both.
  - Reception is being disrupted by frequency interference from outside sources. Interference has to be strong to prevent the console from receiving a signal while in the same room as the ISS. In high-interference environments, it may be preferable to install the Cabled Vantage Pro2.
  - There is a problem with the console.
7. If a problem with receiving the wireless transmission still exists, please contact Technical Support. See "Contacting Technical Support" on page 43.
8. When you are finished testing wireless transmission, set DIP switch #4 to OFF to take the sensor interface out of Test Mode.

---

**Note:** If the sensor interface is left in Test Mode, the blinking LED will significantly reduce ISS battery life.

---

---

### Optional: Changing ISS Transmitter ID

Each wireless transmitting station, including the Integrated Sensor Suite (ISS), uses one of eight selectable Transmitter IDs. DIP switches #1, 2 and 3 on the transmitter control the ID — or channel — the station transmits on. DIP switch #4 is used for transmission testing, not for the Transmitter ID.

---

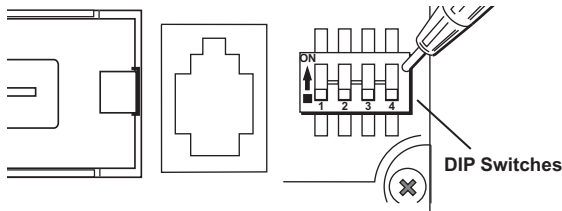
**Note:** The transmitter on the ISS and the receiver on the console communicate with each other only when both are set to the same ID.

---

The default Transmitter ID is 1 for both the ISS and the Vantage Pro2 console, and should work fine for most situations. Change the Transmitter ID if any of the following issues are true:

- Another Davis Instruments wireless weather station operating nearby already uses Transmitter ID 1.
- You have purchased additional Vantage Pro2 or Vantage Vue wireless transmitting stations and one of the stations has been designated as Station No. 1 instead of this ISS.

On the ISS, the Transmitter ID is set using the DIP switches located on the sensor interface. To access the sensor interface, open the transmitter shelter cover. See “Open the Transmitter Shelter” on page 7.



*Transmitter ID DIP switches in top-right corner of sensor interface*

To change to another ID, use a ballpoint pen or paper clip to toggle DIP switches #1, 2, and 3. The settings for Transmitter IDs 1 - 8 are shown in the table below.

Set the Vantage Pro2 console to the same ID as the transmitters, as described in the *Vantage Pro2 Console User Manual*.

ID CODE	SWITCH 1	SWITCH 2	SWITCH 3
#1 (default)	off	off	off
#2	off	off	ON
#3	off	ON	off
#4	off	ON	ON
#5	ON	off	off
#6	ON	off	ON
#7	ON	ON	off
#8	ON	ON	ON

---

## Using Multiple Transmitting Stations

This table shows the maximum number of each type of station that can be used with a single Vantage Pro2 console. The console can receive signals from a **total** of up to eight transmitters (stations).

Station Type	Maximum Number
Integrated Sensor Suite (ISS)	1
Anemometer Transmitter Kit*	1*
Leaf & Soil Moisture/Temperature Station	2**
Temperature Station	8
Temperature/Humidity Station	8

*\*Replaces the ISS anemometer.*

*\*\*Two are allowable only if one stations has only leaf wetness and one has only soil moisture sensors. For example, a network can either have both a Leaf Wetness/Temperature station and a Soil Moisture/Temperature station, or it can have one combined Leaf Wetness and Soil Moisture/Temperature station.*

# Plan the ISS Installation

---

## Locating the ISS and Anemometer

For the weather station to perform at its best, use these guidelines to select the optimum mounting locations for the ISS and anemometer. Be sure to take into consideration ease of access for maintenance, sensor cable lengths and wireless transmission range when siting the station.

---

**Note:** When selecting a location for installing your ISS, especially on a rooftop, make sure it is a location far from power lines. Seek professional help if you uncertain about the safety of your installation.

---

### General ISS Siting Guidelines

- Place the ISS away from sources of heat such as chimneys, heaters, air conditioners and exhaust vents.
- Place the ISS at least 100' (30 m) away from any asphalt or concrete roadway that readily absorbs and radiates heat in the sun. Avoid installations near fences or sides of buildings that receive a lot of sun during the day.
- Ideally, place the radiation shield of the ISS 5' (1.5 m) above the ground in the middle of gently sloping or flat, regularly mowed grassy or naturally landscaped area that drains well when it rains. For areas with average maximum yearly snow depths over 3' (0.9 m), mount the ISS 2' (0.6 m) above this depth.
- Never install the ISS where it will be directly sprayed by a sprinkler system because it will adversely affect the readings.
- Do not locate the ISS under tree canopies or near the side of buildings that create “rain shadows.” For heavily forested areas, site the ISS in a clearing or meadow.
- Site the ISS in a location with good sun exposure throughout the day if the ISS is wireless or includes solar radiation or UV radiation sensors.

For *agricultural applications* (important for evapotranspiration (ET) calculations):

- Install the ISS and anemometer as a single unit with the radiation shield 5' (1.5 m) above the ground and in the middle of the farm between similar crop types (i.e. two orchards, two vineyards or two row crops), if possible.
- Avoid areas exposed to extensive or frequent applications of agricultural chemicals which can degrade the sensors.
- Avoid installing over bare soil. The ET formula works best when the ISS is installed over well-irrigated, regularly mowed grass.
- If the last three guidelines cannot be met, install the weather station at the edge of the primary crop of interest.

---

## Anemometer Siting Guidelines

- For best results, place the anemometer at least 7' (2.1 m) above surrounding obstructions such as trees or buildings that obstruct wind flow.
- If mounting on a roof, mount the anemometer at least 7' (2.1 m) above the roof apex. (When using a Davis Mounting Tripod, install the anemometer at the very top of the pole).
- If mounting the ISS and the anemometer together, such as on a pole or a wooden post, mount the anemometer so it is at least 12" (0.3 m) above the top of the rain collector cone for best results.
- The standard for meteorological and aviation applications is to place the anemometer 33' (10 m) above the ground. Seek professional help for this type of installation.
- The standard for *agricultural applications* is to place the anemometer 6' (2 m) above the ground. This is important for evapotranspiration (ET) calculations.

---

**Note:** For roof mounting, and ease of installation, we recommend using the optional mounting tripod (#7716). For other installations, use the Mounting Pole Kit (#7717).

---

**Note:** For more detailed siting suggestions, see Application Note #30: Reporting Quality Observations to NOAA on <http://www.davisnet.com/resources>.

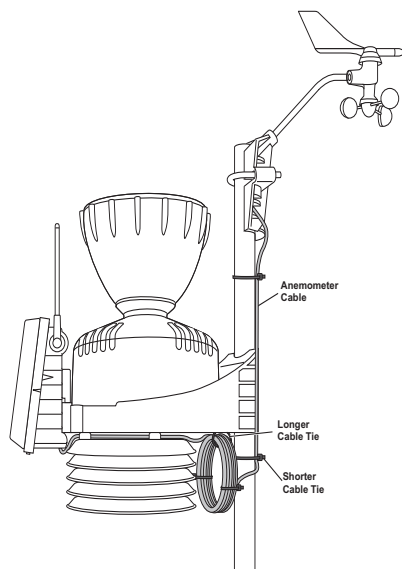
---

### **Optional: Cable Length Considerations**

- All Vantage Pro2 stations include a 40' (12 m) cable to go between the ISS and the anemometer. This can be extended up to 540' (165 m) using optional extension cables purchased from Davis Instruments. If most of the anemometer cable length is unused, the coiled cable length can be stowed once the anemometer and ISS have been installed on a site. You can secure the cable to the pole using the shorter cable ties. Use the longer cable tie to secure the coil by running it through the holes on the rain collector shelf.

Keep the anemometer cable coiled if possible during the ISS and anemometer assembly so that it is easily stowed once installation is complete.

- The Cabled Vantage Pro2 includes a 100' (30 m) cable to go between the console and the ISS. This can be extended up to 1000' (300 m) using optional cables.



---

### **Optional: Wireless Transmission Considerations**

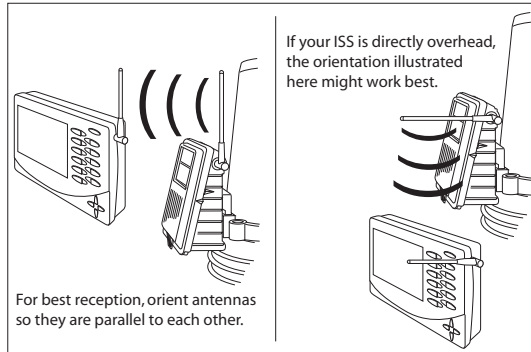
The range of the radio transmission depends on several factors. Try to position the transmitter and the receiver as close as possible for best results.

Typical maximum ranges include:

- Line of sight: 1000' (300 m).
- Under most conditions: 200 - 400' (60 - 120 m).

Other range and transmission considerations include:

- Range may be reduced by walls, ceilings, trees, foliage, a metal roof or other large metal structures or objects such as aluminum siding, metal ducts, and metal appliances, such as refrigerators, televisions, heaters, or air conditioners.
- Transmission between wireless units may be obscured by something unidentifiable, or by some obstacle that can't be worked around.
- For best results, orient the ISS antenna and the console antenna so that the orientation and angles of the antennas are parallel to each other.



---

**CAUTION:** The ISS and console antennas do not rotate in a complete circle. **Avoid forcing the antennas when rotating them.**

---

- Consider using a Wireless Repeater (#7627) or Long-Range Wireless Repeater (#7654) to strengthen the signal or to increase the distance between the ISS and the console.



---

## Testing Wireless Transmission at ISS Location

After a suitable place has been found for the wireless ISS, it is very important to test reception from the installation location before permanently mounting it there.

1. Set the ISS in the desired installation location.
2. Set the console in the desired location.
3. Monitor your screen for data. You should see a flashing "X" in the lower right corner and data should start to appear. This may take a few minutes.
4. If data does not appear, press and hold TEMP and press HUM to display statistical and reception diagnostics on the console. See your *Vantage Pro2 Console User Manual* for more information on the diagnostic screens.
  - It's a good idea to test the console's reception anywhere that you might want to use or mount it now or in the future. Take your time. If you aren't picking up a strong signal where you intend to place your console, try rotating the antenna on the console and ISS or try moving the console and ISS to different positions.
  - Irregular terrain in the area may interfere with the signal. For example, if the ISS is mounted downhill from the console, the ground may block a large percentage of the transmitted signal.
  - Press and hold DONE to return to the Current Weather Mode when finished testing.

---

**Note:** See the Troubleshooting section of the *Vantage Pro2 Console User Manual* for information on how to check wireless signal strength and for more information on troubleshooting reception problems.

---

# Install the ISS

---

The anemometer and the main part of the ISS can be installed either together as a single unit on a pole, or apart from each other. The main part of the ISS includes the rain collector, the temperature and humidity sensors, the radiation shield, and the sensor interface housing. Use the U-bolts to install the ISS and anemometer together or separately on a pole. Use the lag screws to install them separately on a flat, vertical surface.

- The anemometer comes with a 40' (12 m) cable for flexibility in positioning the system to monitor wind conditions. For example, the anemometer could be mounted at the highest point of a roof, and the ISS could be mounted on a fence closer to ground level.
- If you would like to install your anemometer even farther away from the ISS or without using a cable, use a Davis Anemometer Transmitter Kit, product number 6332.

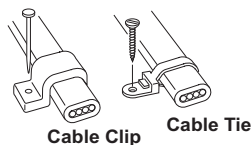
---

## General ISS Installation Guidelines

- Install the ISS as level as possible to ensure accurate rain measurements. Use the built-in bubble level (under the rain collector cone, near the tipping spoons mechanism) or carpenter’s level to make sure the ISS is level.
- In the Northern Hemisphere, the solar panel should face south for maximum sun exposure, and the anemometer arm should point north for proper wind direction calibration.
- In the Southern Hemisphere, the solar panel should face north for maximum sun exposure. Either install the ISS and anemometer separately, each facing north, or mount them as a single unit with solar panel facing north and the wind vane re-oriented to the South. (See “Orient the Wind Vane” below.)

### Optional: Guidelines for Securing Cables

- To prevent fraying or cutting of cables, secure them so they will not whip about in the wind.
- Secure cable to a metal pole using cable ties or by wrapping tape around both the cables and the pole.
- Place clips or ties every 3' – 5' (1 – 1.6 m).
- Mounting clips, cable ties or additional hardware not included with your station can be easily obtained at a hardware or electronics store.



---

**Note:** Do not use metal staples or a staple gun to secure cables. Metal staples — especially when installed with a staple gun — have a tendency to cut the cables.

---

### Orient the Wind Vane

The wind vane rotates 360° to display current and dominant wind directions on the compass rose of the console display. To obtain accurate readings, the vane must be *correctly oriented* when mounting the anemometer outside. By default, the wind vane reports the correct wind direction if the anemometer arm points true north.

To ensure correct orientation of the wind vane, mount the anemometer so that the arm points true north.

If your anemometer arm cannot be mounted aiming true north, you will need to calibrate the wind direction on your console to display accurate wind directions. See your *Vantage Pro2 Console User Manual*.

---

## Installation Options

There are several ways to mount and install the ISS unit. The following installations are recommended. Individual ISS locations and installations may vary.

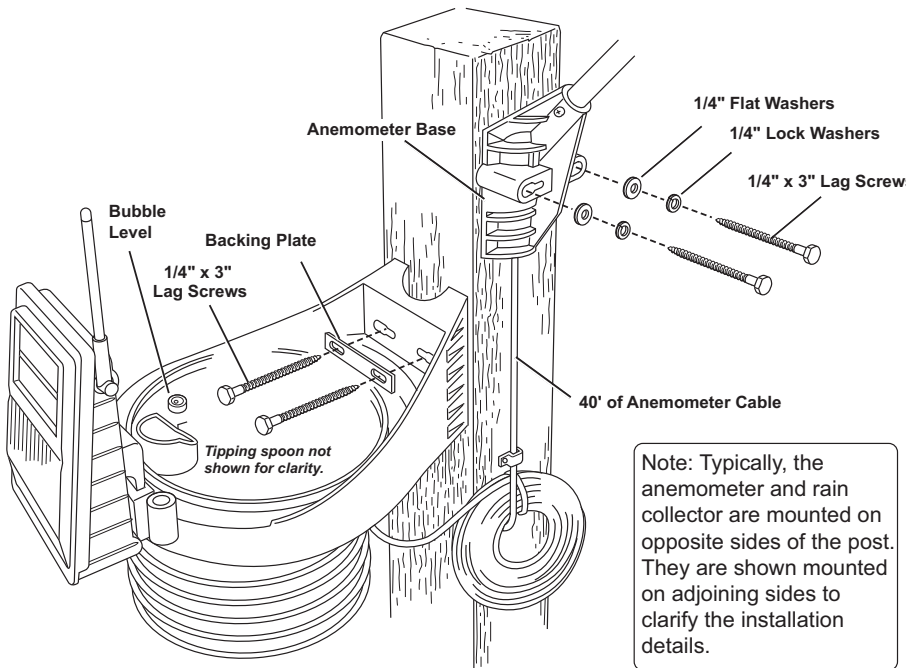
- **Installing the ISS and anemometer on a post or flat surface**
- **Installing the ISS and anemometer on a pole, together or separately**

---

**Note:** All installations require that the rain collector cone be removed for assembly. Use the built-in bubble level to ensure the main part of the ISS is level.

---

## Installing the ISS and Anemometer on a Flat Surface



### Install the rain collector mounting base:

1. With a 3/16" (5 mm) drill bit, drill two holes approximately 2 1/8" (54 mm) apart. Use a carpenter's level to ensure the holes are level. Use the metal backing plate as a guide when marking the holes.
2. Remove the rain collector cone if it is installed on the ISS mounting base.
3. Insert the 1/4" x 3" lag screws through the metal backing plate and the holes in the mounting base into the post. Make sure the ISS is level by checking the built-in bubble level.
4. Tighten the lag screws using an adjustable wrench or 7/16" wrench.

### Install the Anemometer

- 
1. With a 3/16" (5 mm) drill bit, drill two holes approximately 2<sup>1</sup>/<sub>8</sub>" (54 mm) apart. Use a carpenter's level to ensure the holes will be level.
  2. Insert the 1/4" x 3" lag screws through the flat washers and the holes in the anemometer mounting base into the post.
  3. Tighten the lag screws using an adjustable wrench or 7/16" wrench.

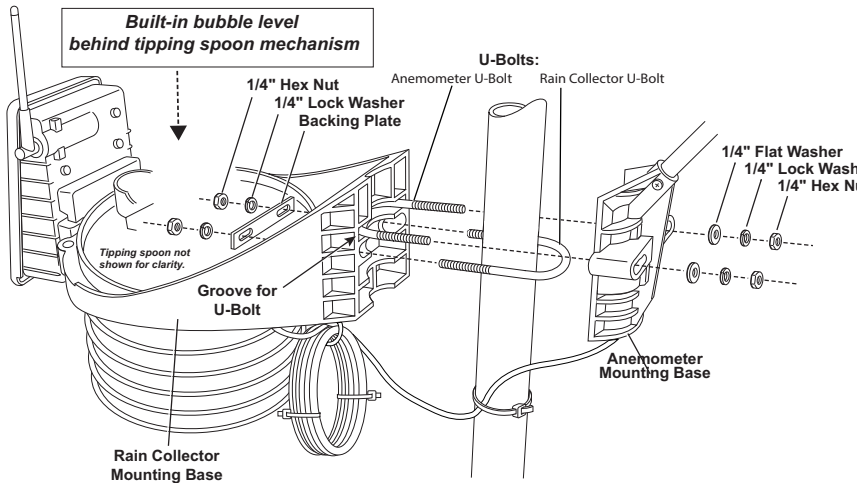
---

**Note:** If your anemometer arm cannot be mounted aiming true north, you will need to calibrate the wind direction on your console to display accurate wind directions. See your *Vantage Pro2 Console User Manual*.

---

---

## Installing the ISS and Anemometer on a Pole



When installing the ISS on a pole, the rain collector /radiation shield section of the ISS and the anemometer can be mounted together as a single unit, or the two sections can be mounted separately.

### Accessories for Pole Mounting

- Use the Mounting Tripod (#7716) for easy roof-mounting.
- Use the Mounting Pole Kit (#7717) to raise the installation height of the ISS by up to 37.5" (0.95 m).

### General Guidelines for Installing on a Pole

- With the supplied U-bolts, the ISS and anemometer can be mounted on a pole having an outside diameter ranging from 1<sup>1</sup>/<sub>4</sub>" to 1<sup>3</sup>/<sub>4</sub>" (32 – 44mm).
- Larger U-bolts (not supplied) can be used to mount to a pole with a maximum outside diameter of 2<sup>1</sup>/<sub>2</sub>" (64mm).
- To mount on a smaller pole, obtain a U-bolt that fits the ISS base openings but that has a shorter threaded section. If mounting on a smaller pole with the included U-bolts, the bolt interferes with the rain collector cone. The pole must be sturdy enough to be stable. Any movement of the pole will affect wind and rain data.
- Use the built-in bubble level to ensure ISS is level.

---

## Guidelines for Installing the ISS on a Pole

- When mounting the rain collector base and anemometer together on opposite sides of the pole, remember that whichever side is mounted first, the U-bolt from the opposite side must also be placed around the pole before tightening the U-bolts. (If it is not, there is no way to slide it in later.)
- In each side's mounting base, there is a groove to accommodate the other mounting base's U-bolt.
- Once the two sides of the ISS have been loosely mounted together on the pole, swivel the unit to the correct direction and then tighten the hex nuts. The desired height can also be achieved by sliding the ISS vertically before tightening.

### ***Option 1: Installing ISS and Anemometer Together***

Try to install the ISS so the anemometer arm is aiming true north.

---

**Note:** If your anemometer arm cannot be mounted aiming true north, you will need to calibrate the wind direction on your console to display accurate wind directions. See your *Vantage Pro2 Console User Manual*.

---

1. Place the U-bolt for the anemometer around the pole so that its round end fits in the top groove on the rain collector mounting base. The groove is right above two large holes.
2. While holding the mounting base of the rain collector against the pole, place the two ends of the remaining U-bolt around the pole and through the two holes in the base.
3. Slide the metal backing plate over the bolt ends as they stick out over the rain collector base. Loosely secure the backing plate with a lock washer and hex nut on each of the bolt ends as shown previously.

---

**Note:** Leave the hex nuts loose to swivel the ISS base on the pole.

---

4. The two ends of the anemometer's U-bolt should now be pointing away from the mounted rain collector side. Slide the anemometer's mounting base over the protruding bolt ends. Place a flat washer, a lock washer and a hex nut on each of the bolt ends as shown above. Do not tighten the nuts yet.
5. Raise the ISS unit to the desired height on the pole and swivel it so the anemometer arm is pointing north.
6. Using an adjustable wrench or 7/16" wrench, tighten all four hex nuts until the ISS is firmly fastened on the pole.
7. When installing the ISS as a single unit, we recommend tucking the coil of anemometer cable between the rain collector cone and the ISS base, or securing it to the pole.

---

### **Option 2: Installing ISS Only**

1. While holding the mounting base against the pole, place the two ends of a U-bolt around the pole and through the two holes in the base.
2. Slide the metal backing plate over the bolt ends as they stick out toward the rain collector cone. Secure the backing plate with a washer, a lock washer, and a hex nut on each of the bolt ends. Do not tighten the nuts yet.
3. For the wireless ISS, swivel the ISS base so the solar panel is facing south (in the Northern Hemisphere), or north (in the Southern Hemisphere). (Not needed for cabled systems.)
4. Tighten the hex nuts using an adjustable wrench or 7/16" wrench.

### **Option 3: Installing Anemometer Only**

1. While holding the mounting base against the pole, place a U-bolt around the pole and through the two holes in the base.
2. Place a flat washer, a lock washer and a hex nut loosely on each of the bolt ends.
3. Swivel the anemometer until the arm is pointing north.
4. Tighten the hex nuts using an adjustable wrench or 7/16" wrench.

---

**Note:** If your anemometer arm cannot be mounted aiming true north, you will need to calibrate the wind direction on your console to display accurate wind directions. See your *Vantage Pro2 Console User Manual*.

---

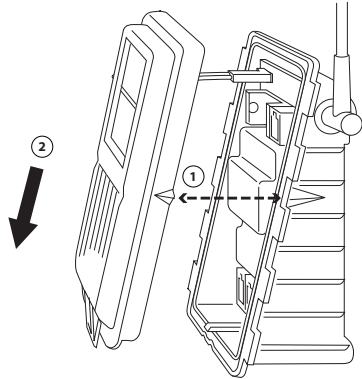


---

## Finish the Installation

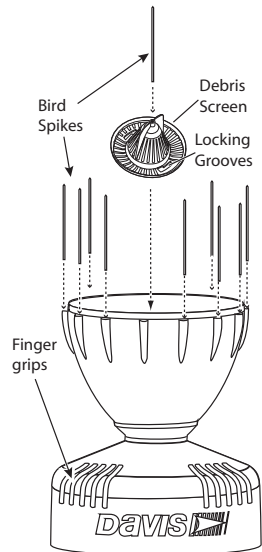
### Close the Transmitter Shelter

1. If the solar panel cable (or the optional fan cable) were disconnected during ISS assembly, reconnect them.
2. Find the two raised alignment indicator lines on both the shelter and the cover. Match these alignment indicators as you place the cover against the box.
3. Slide the cover down until it snaps securely in place.



### Re-Attach the Rain Collector

1. Set the cone back on the base so its latches slide downward into the latch openings on the base. Using the finger grips for a secure hold, rotate the cone clockwise until it locks into place.
2. Place the debris screen, pointed end up, into the cone over the funnel hole. Align the locking grooves with the locks inside the cone and turn to lock the screen in place.
3. In some installations, bird droppings can clog the rain collector. To use the bird spikes, insert one spike into each socket around the rim of the cone. The sockets are tapered: push firmly or tap lightly with a hammer for a more secure fit. If you choose not to install the spikes, we recommend that you keep the packet of spikes in case birds become a problem in the future.
4. If bird nesting is a problem, you can place a spike in the hole on the top of the debris screen.



---

**Note:** If your ISS has Solar and/or UV sensors, bird spikes around the rim of the rain cone may cast shadows that can affect the accuracy of the sensors and ET readings. For most users, this is less serious than problems caused by birds. To maintain UV and Solar accuracy, remove the spikes near the sensors and use the fewest spikes that will deter the birds. For more details and other options, see *Application Note 37: Using Bird Spikes with Solar and/or UV Sensors* on [www.davisnet.com/resources](http://www.davisnet.com/resources).

---

---

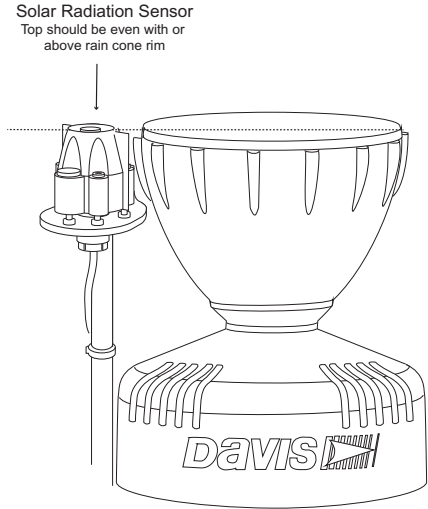
## Level the Solar and UV Sensors

If you have an ISS that includes a solar radiation and/or UV sensor, use the bubble level on the sensors as a guide to verify that the sensors are level.

Adjust the level by tightening or loosening the three screws that hold each sensor onto the shelf. Make sure that the sensor diffusers are not shaded by the rim of the rain cone.

For the UV sensor, make sure the entire comb structure is above the rim of the rain cone.

For the Solar Radiation sensor, make sure the top of the sensor body is even with or above the rim of the rain cone.



---

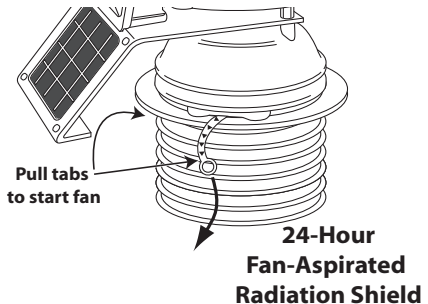
**Note:** If you are installing the solar or UV sensors separately, see the Solar Radiation and UV Sensor installation manual for more information.

---

## Start the 24-Hour Fan

If your ISS has a 24-Hour Fan-Aspirated Radiation Shield, the batteries are factory installed with plastic tabs between the batteries and the contacts. This prevents batteries from draining during shipping.

The two clear plastic tabs extend out from the largest disk in the radiation shield. Pull them out to start the fan.



---

**Note:** The Daytime Fan (as in product number 6334) does not use batteries.

---

**Tip:** If the ISS has been in storage for an extended period, the fan batteries may need to charge in sunlight for a few hours.

---

---

## Clear Data Collected During Testing and Installation

Now that the ISS is mounted outside, any data that was collected in the Vantage Pro2 console during testing and mounting can be cleared.

1. On the console, press the WIND so that graph icon appears adjacent to the wind data on the display. Confirm that wind speed is displayed on the compass rose.
2. Press and release 2ND, then press and hold CLEAR for at least six seconds and until you see “CLEARING NOW” in the console ticker display.

## Additional Mounting Options

### Extending Wireless Transmission Range

Optional repeater stations can be used to extend the wireless transmission range.

- Wireless Repeater, AC-Powered (#7626) or Solar-Powered (#7627)
- Long-Range Wireless Repeater, Solar-Powered (#7654)

### Extending the Console Cable (Cabled ISS Only)

A cabled ISS can be extended up to 1000' (300 m) away from the console by using Davis Instruments extension cables (#7876).

### Relocating the Anemometer

**Using Extension Cables:** The anemometer can be extended further than 40' from the ISS by using Davis Instruments extension cables (#7876).

---

Note: Not all cables are compatible with your Vantage Pro2 system. To be sure they will work, order Davis extension cables from your dealer or directly from Davis Instruments.

---

Be aware that the maximum measurable wind speed reading decreases as the total length of cable from the anemometer to the ISS increases.

---

Note: If the cable length is greater than 540' (165m), the maximum measurable wind speed may be less than 100 MPH (161 km/h).

---

**Using the Anemometer Transmitter Kit (Wireless ISS Only):** The Anemometer Transmitter Kit (#6332) allows the anemometer to send wind data directly to the console, instead of plugging into the ISS.

### Remote Mounting the Solar Radiation and UV Sensors

The solar radiation and UV sensors have a 3' (0.9 m) cable. If you wish to install these sensors away from the ISS, you can extend the length of the sensor cables up to 125' (38 m) with Davis Instruments extension cables (#7876).

### Optional Wireless Stations

You may use our optional wireless sensor stations to collect weather measurements, without the inconvenience of routing cables.

- Wireless Temperature Station (#6372)
- Wireless Temperature/Humidity Station (#6382)
- Wireless Leaf & Soil Moisture/Temperature Station (#6345)

For more details, please visit our website or see the most recent *Davis Precision Weather Instruments* catalog.

---

# Maintenance and Troubleshooting

---

## General Maintenance

You should keep the surfaces of the ISS clean, since the radiation shield and solar panels are less effective when dirty. Remove dust from the solar panel and radiation shield with a damp cloth.

Several times a year, inspect the rain collector and radiation shield and remove any debris (such as twigs, leaves, webs and nests) obstructing water flow through the rain collector or air flow through the radiation shield.

At least once a year, or more often in very dusty installations, dismantle and thoroughly clean the radiation shield as described in the following pages.

---

**Note:** Do not spray the ISS with insecticides of any kind. Some insecticides can damage the sensors and even damage the radiation shield.

---

## Maintaining UV and Solar Radiation Sensors

The UV and solar radiation sensors have an outer shell or shield, which protects the sensor body from thermal radiation and provides a path for convection cooling of the body, minimizing heating of the sensor interior. It houses the precision-shaped diffuser, exposed through the top of the shield.

Try not to touch the small white diffusers on top of the sensors. Oil from skin reduces their sensitivity. If you are concerned that you have touched the diffusers at any time, clean with a soft cloth.

Due to the sensitivity of ultraviolet and solar radiation sensors it is common practice for manufacturers to recommend re-calibration after a period of time. Users demanding high accuracy typically recalibrate their sensors annually. Here at Davis Instruments, we have seen less than 2% drift per year on the readings from these sensors.

Contact Technical Support about returning your sensor for calibration. See “Contacting Technical Support” on page 43.

## Maintaining the Anemometer

The free movement of the wind vane and cups can be inhibited by dust, debris, insects, and spider webs. With an Allen wrench, remove the cups and vane. Remove any dust or debris from the shafts and housing. Turn the shafts the cups and vane rotate on. While the wind direction shaft should have more resistance than the wind cup shaft, if either feels gritty or stiff, contact Davis Technical Support. Reattach the cups and van and tighten with the Allen wrench.

---

**Note:** Do not lubricate the shaft or bearings in any way. When replacing the cups, make sure they are not rubbing against any part of the anemometer head.

---

---

## Maintaining the Radiation Shield

The outer plating of the radiation shield should be cleaned when there is excessive dirt and build-up on the plating. Wipe the outer edge of each ring with a damp cloth.

---

**Note:** Spraying down or using water excessively to clean the radiation shield can damage the sensitive sensors or alter the data and readings the ISS is transmitting.

---

Check the radiation shield for debris or insect nests several times a year and clean when necessary. A buildup of material inside the shield reduces its effectiveness and may cause inaccurate temperature and humidity readings.

At least once a year, thoroughly clean your radiation shield. Follow the instructions below for the correct version of your ISS's radiation shield.

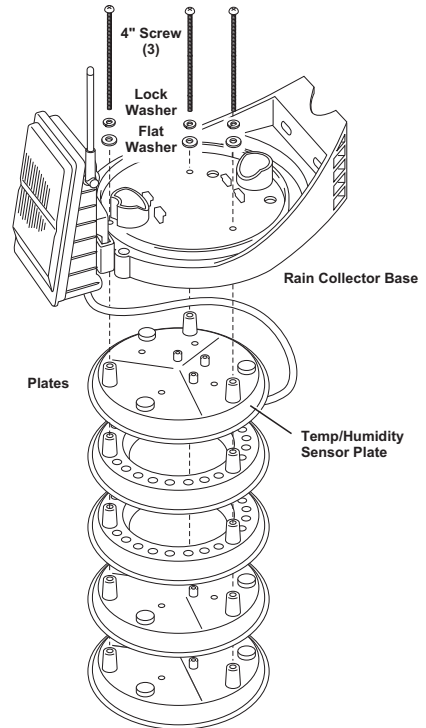
---

**Tip:** *This also a good time to inspect and clean any debris or dust from the temp-hum sensor assembly which is located inside the radiation shield.*

---

### Maintaining a Standard (Passive) Radiation Shield

1. Remove the rain collector cone.
2. Open the transmitter shelter and unplug the temp-humidity cable from the sensor interface.
3. Using a Phillips head screwdriver, loosen the three 4" (~100mm) screws holding the radiation shield plates together.
4. Taking care to maintain the order in which the five plates are assembled, separate the plates as shown and remove all debris from inside the shield.
5. Reassemble the plates in the same order in which they were disassembled, and fasten them together using a Phillips head screwdriver to tighten the 4" screws.



---

**Note:** For some models of the ISS, the order in which the five radiation shield plates are assembled may be slightly different than the order shown in the figure. For this reason, ensure that you always reassemble the plates in the same order in which they were disassembled.

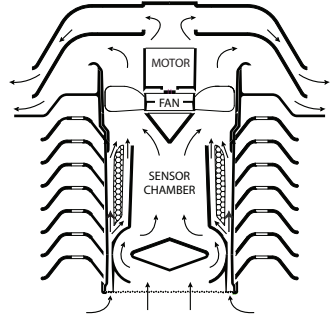
---

---

## Maintaining a 24-Hour Fan-Aspirated Radiation Shield

The cross-section diagram shows how the 24-Hour Fan-Aspirated Radiation Shield draws outside air up through the sensor chamber and between the three walls surrounding the sensor chamber, while the shield stack prevents radiation heating of the outer wall.

To clean it, disassemble the shield and clean interior surfaces as necessary to prevent dirt build up. Check to make sure the fan is running by listening for it, or by holding a piece of tissue paper under the shield. See “24-Hour and Day Time Fans: Replacing the Fan Motor and Batteries” on page 41.



### To thoroughly clean the 24-Hour Fan-Aspirated Radiation shield:

Tools and supplies needed:

- Medium Phillips head screwdriver (and a small Phillips head screwdriver if you are also replacing the batteries)
- Adjustable wrench
- Soft, damp cloth
- Soft brush (such as a toothbrush)

You will not need to remove the rain collector base from the pole or post on which it is mounted. You will be able to remove the entire radiation shield so that you can clean it and access the temperature/humidity sensor, the fan, and the fan batteries.

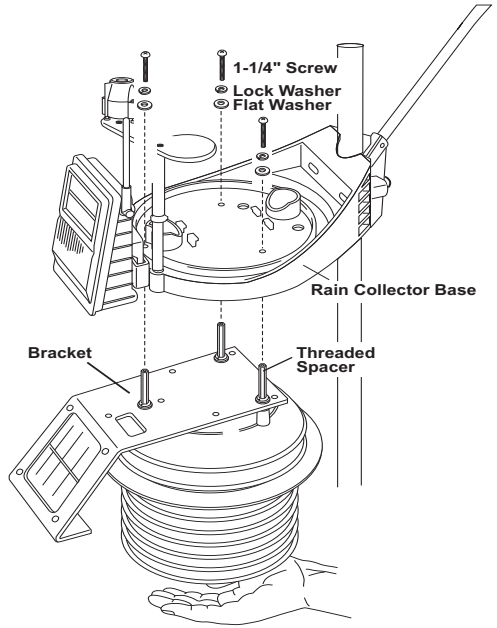
1. Open the transmitter shelter, remove the foam insert and unplug the temperature-humidity cable from the sensor interface. Pull the cable down through the access hole and out of the shelter.

---

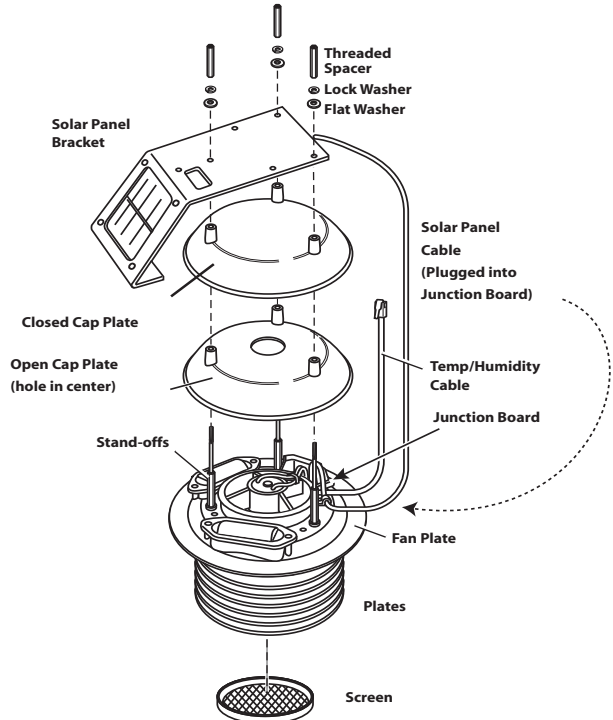
**Tip:** *You can also remove the transmitter shelter door by unplugging the solar panel cable. Then you can use the transmitter shelter door to store screws, washers, and spacers as you remove them.*

---

2. Remove the rain collector cone.
3. Using a Phillips head screwdriver, remove the three screws connecting the rain collector base to the threaded spacers.
4. While removing the screws, support the radiation shield from the bottom. When the screws are removed, it will drop.
5. Take note of the cable placement and routing so you can replace it correctly.

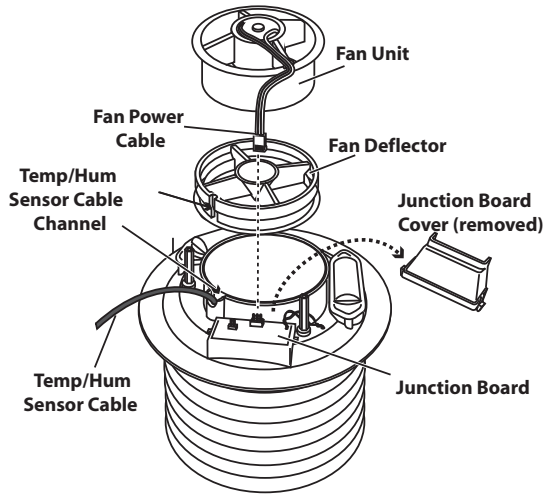


6. Unscrew the three threaded spacers holding the solar bracket and radiation shield together and lift off the solar bracket.
7. Remove the two cap plates.



8. Remove the white junction board cover and unplug the fan power cable from the junction board.

9. Lift out the fan and fan and the fan deflector.



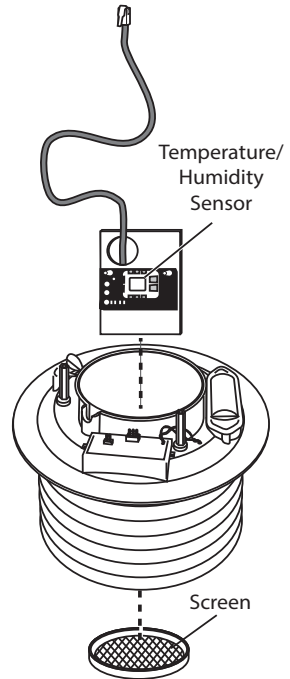
10. Pull out the temperature/humidity sensor up and out.

11. Use a soft brush to clean the white plastic and gold mesh of the sensor.

12. Remove all debris from inside the shield and fan and wipe the interior surfaces with a damp cloth.

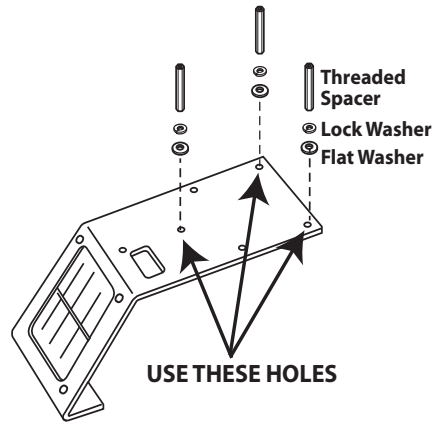
13. Remove the screen from the bottom of the radiation shield. Wipe it clean, as well as up into the interior of the radiation shield. Replace the screen.

14. Replace the temperature/humidity sensor. It fits one way, into the slots on the side. Route the cable up through the channel and replace the fan deflector with the cable channels correctly aligned with the sensor cable. If a new fan and batteries are needed, See “24-Hour and Day Time Fans: Replacing the Fan Motor and Batteries” on page 41.





- 
15. Replace the fan and plug the fan power cable back into the junction board. The fan should start to rotate.  
Replace the junction board cover.
  16. Replace the two cap plates.  
(Note that the closed plate goes on top.) Replace the solar bracket and the threaded spacers, with lock washers and flat washers.
  17. Align the threaded spacers with the screws in the rain collector base. Note that cables should exit from the radiation shield toward the mounting pole or post. Screw the screws into the threaded spacers.
  18. Route the temperature/humidity cable over the solar bracket and back into the transmitter shelter. Plug it back in, then replace the foam insert snugly. Check other sensor cables to make sure they are plugged in tightly. If you disconnected the door's solar panel cable, plug it back in.
  19. Replace the door.



---

## Daytime Fan-Aspirated Radiation Shield

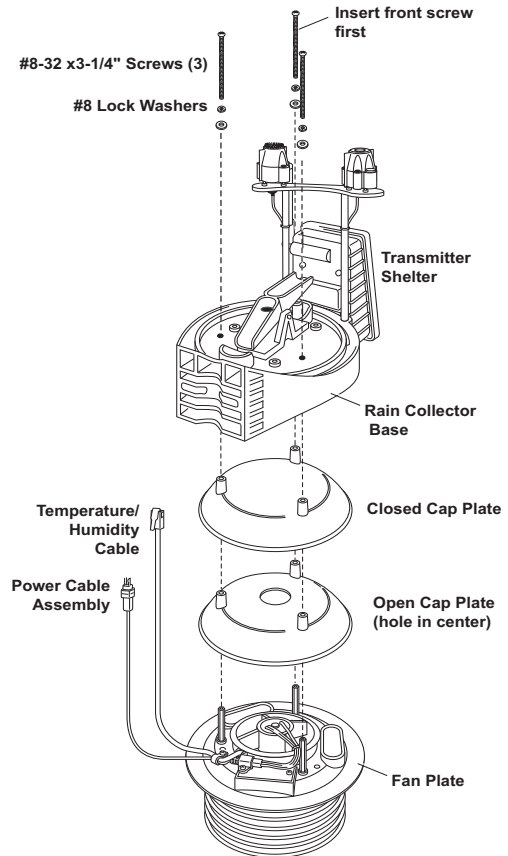
The Daytime Fan-Aspirated radiation shield has a fan that is powered by a solar panel. It differs from the 24-Hour Fan in that it has no batteries. This causes it operate during the daytime when solar radiation effects are of the greatest concern, and to stop at night.

**Tip:** You can add a Daytime Fan Radiation Shield to a standard Vantage Pro2 or Vantage Pro2 Plus. Order product number 7747.

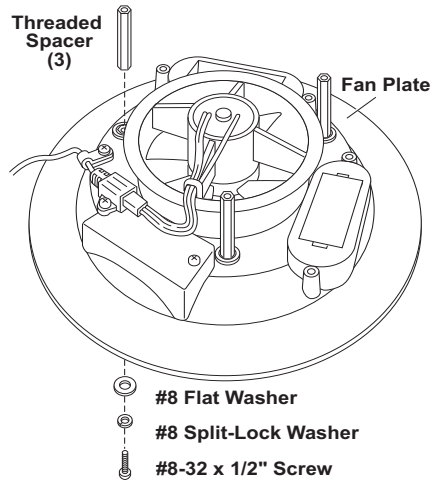
---

To clean the Daytime Fan Aspirated Radiation Shield

1. Remove the rain collector cone.
2. Open the transmitter shelter and unplug the temp-humidity cable and the fan power cable from the sensor interface.
3. Using a Phillips head screwdriver, loosen the three screws connecting the rain collector base to the threaded spacers.
4. Lift the rain collector base off the closed and open fan plates. Take note of the cable placement and routing so you can replace it correctly. For easier re-assembly, mark the holes used by the rain collector base and the holes used by the radiation shield.



5. Unscrew the three threaded spacers.
6. Remove the three screws from the bottom of the radiation shielding and separate the shield stack, taking care to maintain the order in which the plates are assembled.
7. Remove all debris from inside the shield and wipe the interior surfaces.
8. Plug the fan power cable back into the sensor interface. Expose the solar panel to the sun and make sure the fan rotates. Replace the fan motor as needed. (See below).



9. Reassemble the radiation shield, routing cables as observed earlier, and plug the temp/humidity cable back into the sensor interface via the access port in the bottom of the shelter. Replace the foam insert and close the transmitter shelter.

### 24-Hour and Day Time Fans: Replacing the Fan Motor and Batteries

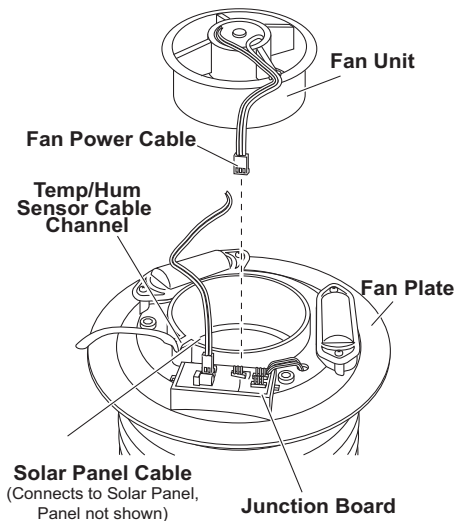
To replace the fan motor and batteries in the 24-Hour Fan-Aspirated Radiation Shields, use product no. 7758B: Standard Motor Kit for Fan-Aspirated Radiation Shield with Batteries. To replace the motor in a Daytime Fan-Aspirated Radiation Shield, use product no. 7758: Standard Motor Kit for Fan-Aspirated Radiation Shield.

1. Unplug the old motor and lift it from the radiation shield.
2. Install the new motor/fan assembly and plug its cable into the junction board.

#### 3. *24-Hour Fan-Aspirated Radiation Shield only:*

Remove the battery cover with a Phillips-head screwdriver and remove the old fan batteries.

Install new batteries (NiMH C-cells, included with product number 7758B). Be sure the match the “+” sign on the battery with the “+” sign in the battery compartment.



---

## Maintaining the Rain Collector Cone

To maintain accuracy, thoroughly clean the rain collector several times a year.

---

**Note:** Cleaning the rain collector and tipping spoons may cause false rain readings. Unplug the rain sensor from the sensor interface before cleaning so that no inaccurate readings are logged, or clear the weather data that was logged on the Vantage Pro2 console after cleaning is complete. See your *Vantage Pro2 Console User Manual* for instructions on clearing weather data.

---

1. Separate the cone from the base by turning it counter-clockwise.
2. Remove and clean the debris screen.
3. Use a soft, damp cloth to remove any debris from the cone and tipping spoons. Be careful not to scratch the silver-colored coating on the tipping spoons.
4. Use pipe cleaners to clear the funnel hole in the cone and drain screens in the base.
5. Re-attach the cone and replace the debris screen. (If you unplugged the rain sensor from the sensor interface, be sure to plug it back in.)

## Troubleshooting

### Sensor Functions Intermittently

Carefully check all connections from the sensor to the ISS. See “Check the Factory Installed Sensor Connections” on page 8.

Loose connections account for a large portion of potential problems. Connections should be firmly seated in receptacles and plugged in straight. To check for a faulty connection, try jiggling the cable while looking at the display. If a reading displays intermittently on the console as the cable is jiggled, the connection is faulty. Try removing and then re-installing the cable to correct the faulty connection. If the sensor still functions intermittently contact Technical Support. See “Contacting Technical Support” on page 43.

### Readings Are Not What You Expect

Comparing data from your ISS to measurements from the Internet, TV, radio, newspapers, or a neighbor is NOT a valid method of verifying your readings. Readings can vary considerably over short distances. How you site the ISS and anemometer can also make a big difference. If you have questions, contact Technical Support.

### Rain Collector Problem

If the rain collector seems to be under-reporting rainfall, remove the rain collector cone to clean the tipping spoon and clear out any debris. Make sure the cable tie around the tipping spoons has been cut and removed.

### Anemometer Problems

*“The wind cups are spinning but my console displays 0 mph.”*

The signal from the wind cups may not be making it back to the display. Check your cables for visible nicks and cuts. Look for corrosion in the WIND connector

---

on the sensor interface and on splices in the cable. If using an extension cable, remove it and test using only the anemometer cable. Contact Technical Support and ask for a wind test cable if the problem has not been resolved.

---

Note: If the anemometer is not sending data, the wind display indicates 0 speed and "--" for direction.

---

*"The wind direction is stuck on north, or displays dashes."*

It is likely that there is a short somewhere between the wind vane and the display. Check the cables for visible nicks and cuts. Look for corrosion in the "WIND" jack on the sensor interface and on splices in the cable (if any). If possible, remove any extensions and try it with the anemometer cable only. If none of these steps get the wind direction working, contact Technical Support and ask for a wind test cable.

*"The wind cups don't spin or don't spin as fast as they should."*

The anemometer may be located where wind is blocked by something, or there may be friction interfering with the cups' rotation. Remove the wind cups (loosen the set screw) and clear out any insects or debris. Turn the shaft the cups rotate on. If it feels gritty or stiff, contact Davis Technical Support.

---

Note: Do not lubricate the shaft or bearings in any way. When replacing the cups, make sure they are not rubbing against any part of the anemometer head.

---

## Contacting Technical Support

For questions about the ISS or Vantage Pro2 system, please contact Davis Technical Support. We'll be glad to help.

---

Note: Please do not return items to the factory for repair before calling to get a Return Materials Authorization number.

---

<b>Online</b>	<b><a href="http://www.davisnet.com/resources">www.davisnet.com/resources</a></b> Find copies of user manuals, product specifications, application notes, software updates, and more.
<b>E-Mail</b>	<b><a href="mailto:support@davisnet.com">support@davisnet.com</a></b>
<b>Telephone</b>	<b>(510) 732-7814</b> Monday - Friday, 7:00 A.M. - 5:30 P.M., Pacific Time

# Appendix

---

## Specifications

Complete specifications for the ISS and other products are available in the Weather Support section of our website at [www.davisnet.com](http://www.davisnet.com).

### Cabled ISS

Temperature range: . . . . . -40 to 150° Fahrenheit (-40 to 65° Celsius)  
Power input: . . . . . Console cable from Vantage Pro2 console  
Optional Vantage Pro2 AC power adapter

### Wireless ISS

Temperature range: . . . . . -40 to 150° Fahrenheit (-40 to 65° Celsius)  
Transmission frequency:  
North America . . . . . 902 - 928 MHz FHSS, power output less than 10 mw  
EU, UK and OV models . . . . . 868.0 -868.6 MHz FHSS, power output less than 10 mw  
Transmitter ID codes: . . . . . 8 user-selectable  
License: . . . . . Low power (less than 8 mW), no license required  
Primary power: . . . . . Solar power – Davis solar charger  
Backup power: . . . . . CR-123A 3-volt lithium battery (8 months without sunlight- greater than 2 years depending on solar charging)

### ISS Weather Variable Update Intervals (Transmitter ID Dependent)

Wind speed: . . . . . 2.5 to 3 seconds  
Wind direction: . . . . . 2.5 to 3 seconds  
Accumulated rainfall: . . . . . 20 to 24 seconds  
Rain rate: . . . . . 20 to 24 seconds  
Outside temperature: . . . . . 10 to 12 seconds  
Outside humidity: . . . . . 50 seconds to 1 minute  
Ultraviolet radiation: . . . . . 50 seconds to 1 minute  
Solar radiation: . . . . . 50 seconds to 1 minute

### Fan-Aspirated Radiation Shield

#### 24-Hour Fan

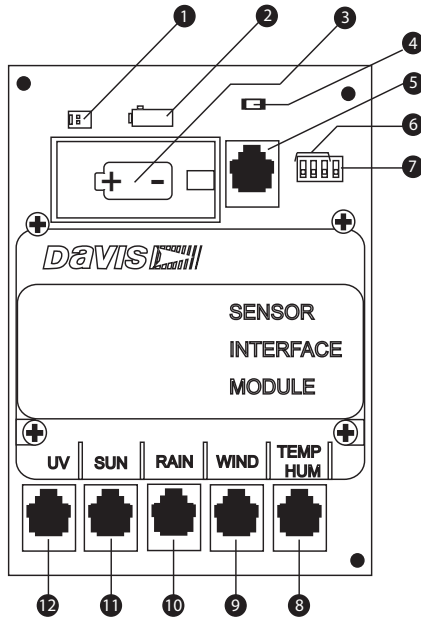
Aspiration Rate  
Solar-powered, full sun . . . . . 190 ft./min. (0.96m/s)  
Battery only . . . . . 80 feet/min (0.4 m/s)  
Radiation Induced Temperature Error . . . . . 0.5°F (0.3°C)  
[At solar noon, insolation = 1040 W/m<sup>2</sup>]  
(Reference: RM Young model 43408)  
Battery Charge/Operating Temperature . . . . . 32° to +113°F (0° to +45°C)  
Battery Discharge/Storage Temperature . . . . . -4° to +140°F (-20° to +60°C)  
Fan Primary Power . . . . . Solar panel  
Fan Secondary Power . . . . . 1 or 2 1.2 Volt NiMH C-cells

#### Daytime Fan

Radiation Induced Temperature Error . . . . . 1°F (0.5°C)  
[At solar noon, insolation = 1040 W/m<sup>2</sup>]  
(Reference: RM Young model 43408)  
Operating Temperature . . . . . -40° to +150°F (-40° to +65°C)  
Non-operating Temperature . . . . . -50° to +158°F (-45° to +70°C)  
Fan Power . . . . . Solar panel



## Sensor Interface



- |                                  |   |
|----------------------------------|---|
| 1 Solar Panel Connector          | 7 Test DIP Switch (wireless only)       |
| 2 AC Adapter Socket              | 8 Temperature/Humidity Sensor Connector |
| 3 Battery Socket (wireless only) | 9 Wind Sensor Connector                 |
| 4 Test LED                       | 10 Rain Sensor Connector                |
| 5 Cabled Connection              | 11 Solar Radiation Sensor Connector     |
| 6 Transmitter ID DIP Switch      | 12 UV Sensor Connector                  |

## Vantage Pro2 Integrated Sensor Suite Installation Manual

Document Part Number: 7395.333

Rev E (5/19/18)

For Vantage Pro2 and Vantage Pro2 Plus Weather Stations # 6152, 6152C, 6153, 6162, 6162C, 6163, 6322, 6322C, 6323, 6327, 6327C, 6328, 6334, 6334C, 6820, 6820C, 6825, 6825C.

Vantage Pro2™, Weather Envoy™, Envoy8X™, Vantage Vue® and Vantage Connect® are trademarks of Davis Instruments Corporation, Hayward, CA.

Copyright © 2017 Davis Instruments Corp. All rights reserved. Information in this document subject to change without notice.

Davis Instruments Quality Management System is ISO 9001 certified.

**DAVIS** ®  
**Davis Instruments**

3465 Diablo Avenue, Hayward, CA 94545-2778 U.S.A.

510-732-9229 • Fax: 510-732-9188

E-mail: [info@davisnet.com](mailto:info@davisnet.com) • [www.davisnet.com](http://www.davisnet.com)